

WALKER Manufacturing Company
7225 NORTH KESTNER AVENUE • LINCOLNWOOD, N. 50340

SUPPLEMENT SPRING-LOADED CASTERS

NOTE This supplement supersedes PPT1279SUP, Supplement Spring-Loaded Casters.

1. GENERAL

This document supplements the basic PPT-30 manual PPT0278. PPT-30 lift trucks serial number 94878 and higher and PPT-40 lift trucks serial numbers 94587 and higher feature the spring-loaded casters, as standard equipment.

NOTE If it is necessary to replace the yoke on trucks with the spring loaded caster assembly, order part numbers 503942 for PPT-40 trucks and 503939 for PPT-30 trucks.

2. CASTER ASSEMBLY REPAIR

- a. Disconnect battery.
- b. Securely block the load wheels to prevent the truck from moving.
- c. Remove service cover.
- d. Use a jack to raise the rear of the lift truck so that the caster wheels clear the ground.

- e. Lower the truck on blocks, making certain the caster wheels are still clear of the ground.
- f. Remove snap ring (1, figure 1) and spacer (2) to detach the caster assembly from the yoke. Bearing (3) may be pressed out, if necessary, after removing retainer ring (14).
- g. Refer to figure 1 as a guide in replacing caster assembly parts.

NOTE On the initial version of this caster assembly, the yoke arm bearing housing did not have provisions for the retaining ring (14), and the base (4) had a shorter stud. All other initial service parts remain the same as the version presented in this supplement. If it becomes necessary to replace the base (4) or the bearing housing, a new bearing housing (part number 900793 LH and/or 900794 RH) and retaining ring (part number 081745) should be ordered and installed per Service Publication PPT0000 SERV. Also a new base (part number 800027) ordered to match the new bearing housing.

#18

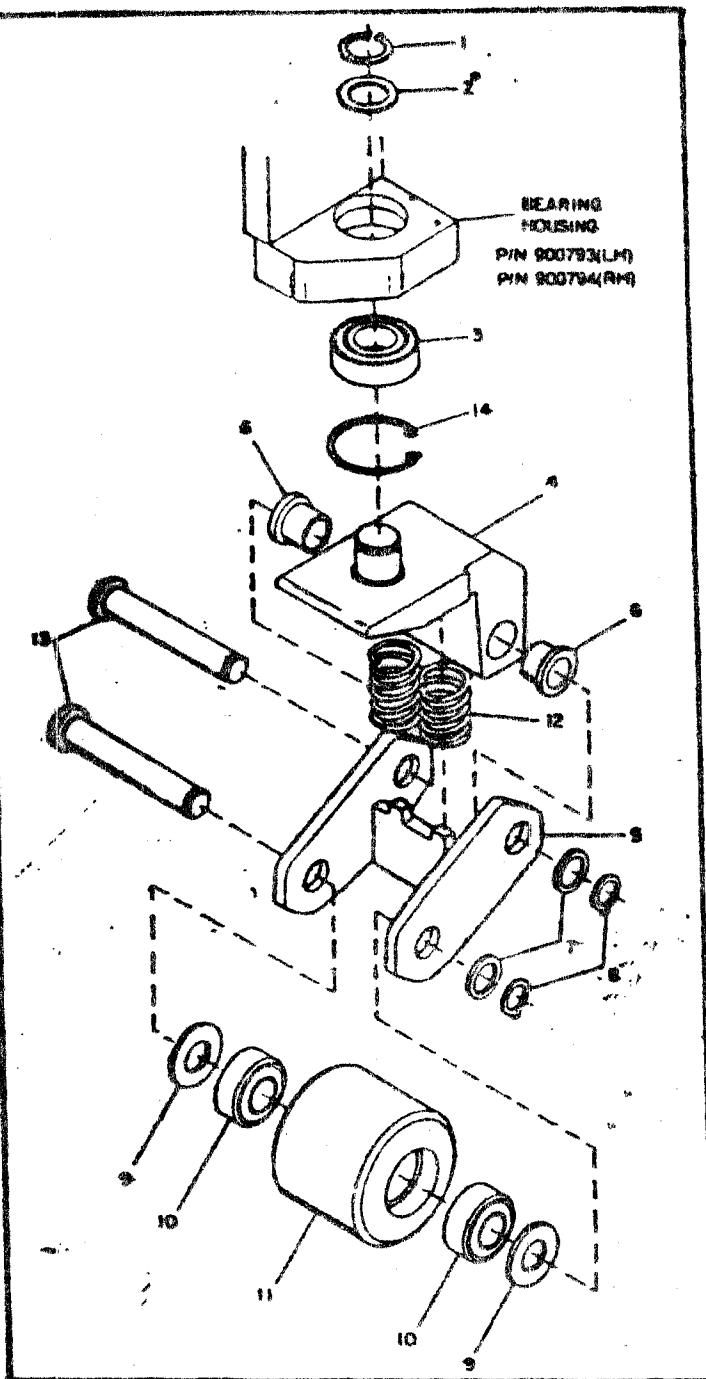


Figure 1. Caster Assembly

* If there
is no spacer snap
Ring is 061734

INDEX NO.	PART NUMBER PPT.40	PPT.30	PART NAME	NO. REQD.
1	061725	061725	Snap Ring	1
2	401318	401318	Spacer	1
3	051153	051153	Bearing	1
	903881-01	903881-02	Caster Assembly	1
4	800227	800227	Base	1
5	800228	800228	Arm	1
6	052940	052940	Bushing	2
7	401323	401323	Spacer	2
8	061719	061719	Snap Ring	2
9	051154	051154	Thrust Bearing	2
10	051152	051152	Bearing	2
11	078263	078263	Wheel	1
12	078075	078005	Spring	2
13	401318	401318	Axle	2
14	061745	061745	Retaining Ring	1