

6

5

4

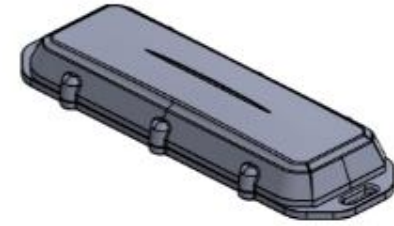
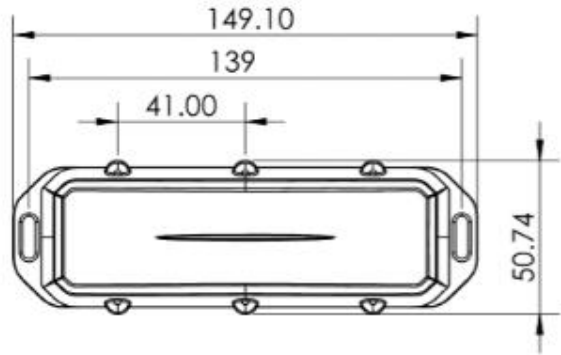
3

2

1

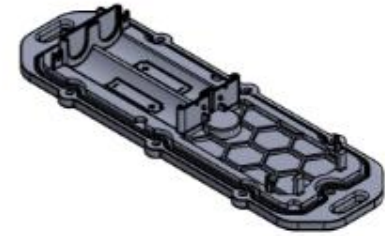
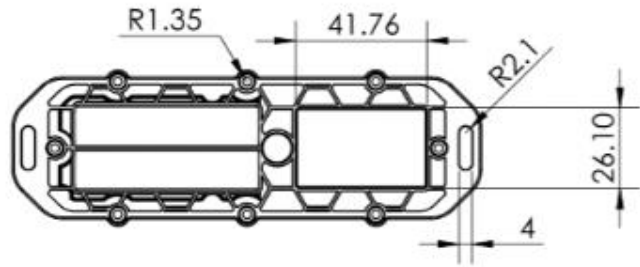
D

D



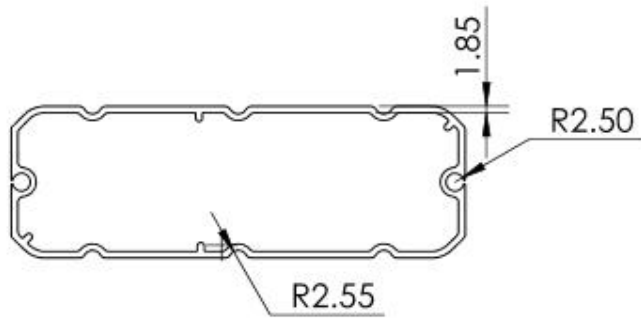
C

C



B

B



OVERMOULDED SEAL

A

A

6

5

4

3

2

1