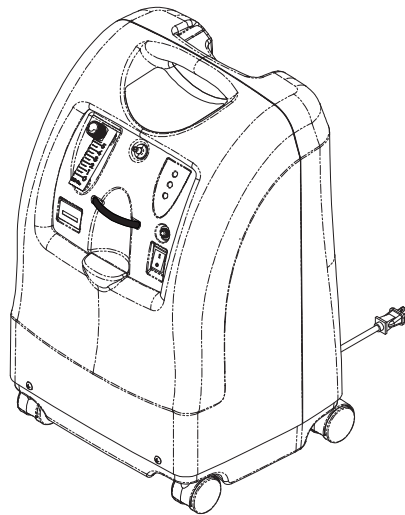


User Manual

Perfecto₂[™] Series

Oxygen Concentrators without SensO₂[®],
Oxygen Concentrators with SensO₂[®]
HomeFill[®] Compatible



Perfecto₂ with SensO₂
Model IRC5PO2
Model IRC5PO2W
Model IRC5PO2V

Perfecto₂
Model IRC5P
Model IRC5PW

Dealer: This manual MUST be given to the end user of this product.

User: BEFORE using this product, read this manual and save for future reference.

**For more information regarding
Invacare products, parts, and services,
please visit www.invacare.com**



Yes, you can.

WARNING

WARNING

DO NOT USE THIS PRODUCT OR ANY AVAILABLE OPTIONAL EQUIPMENT WITHOUT FIRST COMPLETELY READING AND UNDERSTANDING THESE INSTRUCTIONS AND ANY ADDITIONAL INSTRUCTIONAL MATERIAL SUCH AS OWNER'S MANUALS, SERVICE MANUALS OR INSTRUCTION SHEETS SUPPLIED WITH THIS PRODUCT OR OPTIONAL EQUIPMENT. IF YOU ARE UNABLE TO UNDERSTAND THE WARNINGS, CAUTIONS OR INSTRUCTIONS, CONTACT A HEALTHCARE PROFESSIONAL, DEALER OR TECHNICAL PERSONNEL BEFORE ATTEMPTING TO USE THIS EQUIPMENT - OTHERWISE, INJURY OR DAMAGE MAY OCCUR.

ACCESSORIES WARNING

Invacare products are specifically designed and manufactured for use in conjunction with Invacare accessories. Accessories designed by other manufacturers have not been tested by Invacare and are not recommended for use with Invacare products.

ACCESSORIES

There are many different types of humidifiers, oxygen tubing, cannulas and masks that can be used with this device. You should contact your local home care provider for recommendations on which of these devices will be best for you. They should also give you advice on the proper usage, maintenance, and cleaning.

NOTE: Updated versions of this manual can be found at www.invacare.com.

TABLE OF CONTENTS

ACCESSORIES	2
SPECIAL NOTES	4
LABEL LOCATION	6
SECTION 1—GENERAL GUIDELINES	7
To Reduce the Risk of Burns, Electrocution, Fire or Injury to Persons	7
Operating Information	8
Radio Frequency Interference	8
SECTION 2—FEATURES	10
SECTION 3—HANDLING	11
Unpacking.....	11
Inspection	11
Storage	11
SECTION 4—TYPICAL PRODUCT PARAMETERS	12
SECTION 5—OPERATING INSTRUCTIONS	15
Introduction.....	15
Select a Location	15
Set Up	16
Power Switch	18
Flowrate.....	19
Front Panel Indicators - Units with SensO2	20
Front Panel Indicators - Units without SensO2.....	21
SECTION 6—MAINTENANCE	23
Routine Maintenance.....	23
SECTION 7—TROUBLESHOOTING GUIDE	26
LIMITED WARRANTY	31

SPECIAL NOTES

SPECIAL NOTES

Signal words are used in this manual and apply to hazards or unsafe practices which could result in personal injury or property damage. Refer to the following table for definitions of the signal words.

SIGNAL WORD	MEANING
DANGER	Danger indicates an imminently hazardous situation which, if not avoided, will result in death or serious injury.
WARNING	Warning indicates a potentially hazardous situation which, if not avoided, could result in death or serious injury.
CAUTION	Caution indicates a potentially hazardous situation which, if not avoided, may result in property damage or minor injury or both.

NOTICE

The information contained in this document is subject to change without notice.

DANGER

DO NOT SMOKE while using this device. Keep all matches, lighted cigarettes or other sources of ignition out of the room in which this product is located and away from where oxygen is being delivered.

NO SMOKING signs should be prominently displayed. Textiles and other materials that normally would not burn are easily ignited and burn with great intensity in oxygen enriched air. Failure to observe this warning can result in severe fire, property damage and cause physical injury or death.

CAUTION

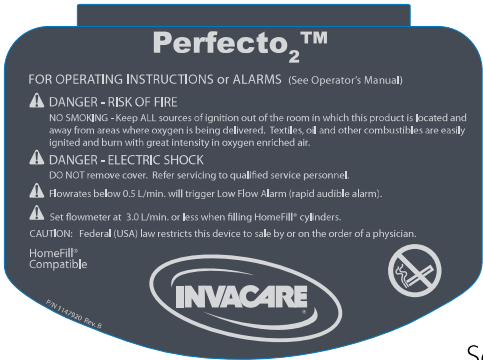
“Caution: Federal law restricts this device to sale or rental by or on order of a physician, or any other practitioner licensed by the law of the State in which he/she practices to use or order the use of this device.”

Invacare recommends an alternate source of supplemental oxygen in the event of a power outage, alarm condition or mechanical failure. Consult your physician or equipment provider for the type of reserve system required.

This equipment is to be used as an oxygen supplement and is not considered life supporting or life sustaining.

LABEL LOCATION

LABEL LOCATION



SECTION I—GENERAL GUIDELINES

In order to ensure the safe installation, assembly and operation of the Perfecto₂ concentrator these instructions MUST be followed.

⚠ WARNING

This section contains important information for the safe operation and use of this product.

To Reduce the Risk of Burns, Electrocution, Fire or Injury to Persons

⚠ DANGER

Risk of electric shock. DO NOT disassemble. Refer servicing to qualified service personnel. No user serviceable parts.

Avoid using while bathing. If continuous usage is required by the physician's prescription, the concentrator MUST be located in another room at least 7 ft from the bath.

DO NOT come in contact with the concentrator while wet.

DO NOT place or store product where it can drop into water or other liquid.

DO NOT reach for product that has fallen into water. Unplug IMMEDIATELY.

If the concentrator has a damaged cord or plug, if it is not working properly, if it has been dropped or damaged, or dropped into water, call qualified technician for examination and repair.

A spontaneous and violent ignition may occur if oil, grease or greasy substances come in contact with oxygen under pressure. These substances MUST be kept away from the oxygen concentrator, tubing and connections, and all other oxygen equipment. DO NOT use any lubricants unless recommended by Invacare.

Avoid creation of any spark near medical oxygen equipment. This includes sparks from static electricity created by any type of friction.

Operating Information

For optimum performance, Invacare recommends that each concentrator be on and running for a minimum of 30 minutes at a time. Shorter periods of operation may reduce maximum product life.

Keep the oxygen tubing, cord, and unit out from under such items as blankets, bed coverings, chair cushions, clothing and away from heated or hot surfaces, including space heaters, stoves and similar electrical appliances.

DO NOT move or relocate concentrator by pulling on the power cord.

NEVER drop or insert any object or liquid into any opening. Invacare recommends that Crush-Proof oxygen tubing be used with this product and not exceed 50 ft in length.

There are no user serviceable parts. This does not include normal maintenance items. See maintenance section for user maintenance items.

A product should NEVER be left unattended when plugged in. Make sure the Perfecto₂ is Off when not in use.

Close supervision is necessary when this product is used near children or physically-challenged individuals.

Additional monitoring or attention may be required for patients using this device who are unable to hear or see alarms or communicate discomfort.

DO NOT connect the concentrator in parallel or series with other oxygen concentrators or oxygen therapy devices.

Radio Frequency Interference

This equipment has been tested and found to comply with EMC limits specified by IEC/EN 60601-1-2. These limits are designed to provide a reasonable protection against electromagnetic interference in a typical medical installation.

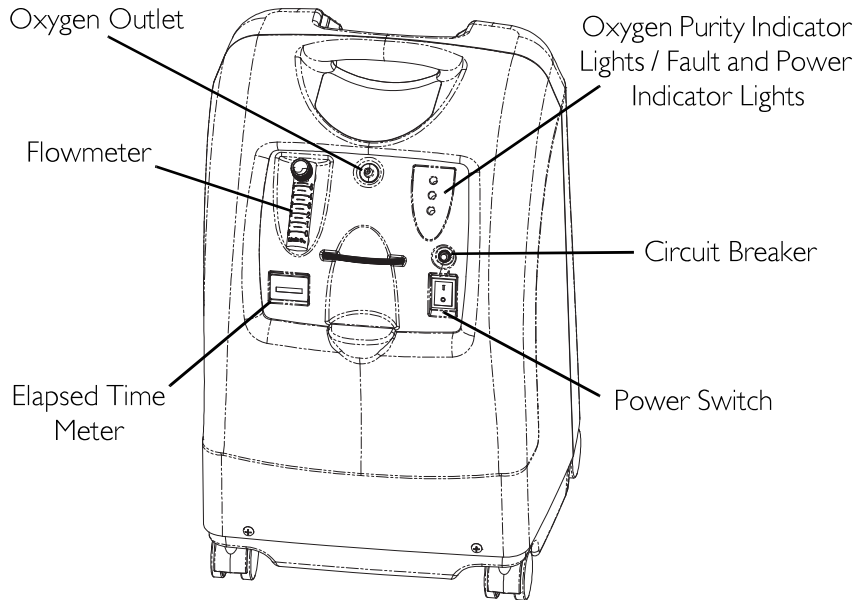
SECTION I—GENERAL GUIDELINES

Other devices may experience interference from even the low levels of electromagnetic emissions permitted by the above standards. To determine if the emissions from the Perfecto₂ is causing the interference, turn the Perfecto₂ Off. If the interference with the other device(s) stops, then the Perfecto₂ is causing the interference. In such rare cases, interference may be reduced or corrected by one of the following measures:

- Reposition, relocate, or increase the separation between the equipment.
- Connect the equipment into an outlet on a circuit different from that to which the other device(s) is connected.

SECTION 2—FEATURES

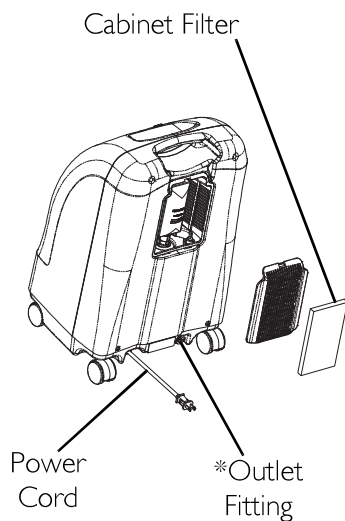
SECTION 2—FEATURES



ACCESSORIES (NOT SHOWN):

- PreciseRX™ Pediatric Humidifier/Flowmeter Accessory - IRCPF16 (Perfecto₂ 5 Only)
- HomeFill home oxygen compressor - IOH200

REAR VIEW



**NOTE: This outlet fitting is to be used only for filling oxygen cylinders with the HomeFill home oxygen compressor. The outlet fitting does not affect concentrator performance. Refer to the HomeFill owner's manual, part number 1100873, for connection and operating instructions. When not in use, the plug provided with the concentrator should be inserted into the outlet fitting. For more information about the HomeFill, contact your Invacare dealer.*

SECTION 3—HANDLING

The concentrator should ALWAYS be kept in the upright position to prevent cabinet damage while being transported.

If the concentrator is to be reshipped by common carrier, additional cartons are available from Invacare.

Unpacking

NOTE: For this procedure, refer to FIGURE 3.1.

1. Check for any obvious damage to the carton or its contents. If damage is evident, notify the carrier, or your local dealer.
2. Remove all loose packing from the carton.
3. Carefully remove all the components from the carton.

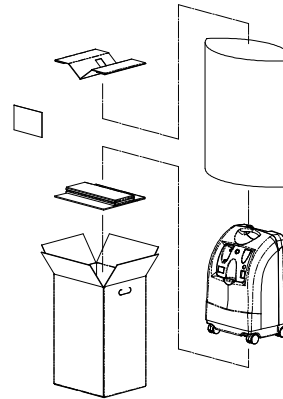


FIGURE 3.1 Unpacking

NOTE: Unless the oxygen concentrator is to be used immediately, retain containers and packing materials for storage until use of the concentrator is required.

Inspection

Inspect/examine exterior of the oxygen concentrator for nicks, dents, scratches or other damages. Inspect all components.

Storage

1. Store the repackaged oxygen concentrator in a dry area.
2. DO NOT place objects on top of repackaged concentrator.

SECTION 4—TYPICAL PRODUCT PARAMETERS

SECTION 4—TYPICAL PRODUCT PARAMETERS

Electrical Requirements:	120 VAC \pm 10% (132 VAC/108 VAC), 60 Hz
Rated Current Input:	3 A
Sound Level:	43 \pm 2 dBA Average for Perfecto ₂ Models and Perfecto ₂ V Model 40 \pm 2 dBA Average for Perfecto ₂ W Models
Altitude:	All Perfecto₂ Models: Up to 8,000 ft (2438 meters) above sea level without degradation of concentration levels. From 8,000 ft to 13,129 (4000 meters) below 90% efficiency. All Perfecto₂ Models while filling a HomeFill System: Up to 6,000 ft (1828 meters) above sea level without degradation of concentration levels. From 6,000 ft (1828 meters) to 13,129 ft (4000 meters) below 90% efficiency.
*Oxygen Output Concentration Levels:	87% to 95.6% for flows ranging at 0.5 to 5 L/min
Maximum Outlet Pressure:	5 psi \pm 0.5 psi (34.5 kPa \pm 3.45 kPa)
Flow Range:	0.5 to 5 L/min For flowrates less than 1 L/min, we recommend the use of the Invacare Pediatric Flowmeter IRCPF16 Accessory.
Low Flow Alarm:	0 L/min to 0.5 L/min Rapid Audible Alarm Beeping (No Accessories Connected).
Average Power Consumption:	Perfecto ₂ and Perfecto ₂ W Models: 280 W (Operating @ 3 L/min) Perfecto ₂ V Model: 325 W
Pressure Relief Mechanism Operational at:	35 psi \pm 3.5 psi (241 kPa \pm 24.1 kPa)

SECTION 4—TYPICAL PRODUCT PARAMETERS

Change in maximum recommended flow when back pressure of 7kPa is applied:	0.7 L/min
Filters:	Cabinet, Outlet HEPA and Compressor Inlet
Safety System:	Current overload or line surge shutdown. High temperature compressor shutdown. High Pressure Alarm w/compressor shutdown. Low Pressure Alarm w/compressor shutdown. Battery Free Power Loss Alarm. SensO ₂ Oxygen System (SensO ₂ Model) Low Flow Alarm.
Width:	15 in ± 3/8 in (38.1 cm ± 1 cm)
Height:	23 in ± 3/8 in (58.4 cm ± 1 cm)
Depth:	12 in ± 3/8 in (30.5 cm ± 1 cm)
Weight:	43 lbs ± 2 lbs (19.5 kg ± 1 kg) Perfecto ₂ Models 45 lbs ± 2 lbs (20.5 kg ± 1 kg) Perfecto ₂ W Models 40 lbs ± 2 lbs (18.1 kg ± 1 kg) Perfecto ₂ V Model
Shipping Weight:	48 lbs ± 2 lbs (21.8 kg ± 1 kg) Perfecto ₂ Models 50 lbs ± 2 lbs (22.8 kg ± 1 kg) Perfecto ₂ W Models 45 lbs ± 2 lbs (20.4 kg ± 1 kg) Perfecto ₂ V Model
Operating Ambient Temperature:	50°F - 95°F (10°C - 35°C) at 20-60% relative humidity Perfecto ₂ Models and Perfecto ₂ V Model 50°F - 90°F (10°C - 32°C) at 20-60% relative humidity Perfecto ₂ W Models
Exhaust:	Less than Ambient + 35°F (+19°C)
Oxygen Output Temperature:	Less than Ambient + 6°F (+3°C)
Cabinet:	Impact Resistant flame-retardant plastic cabinet that conforms to UL94V-0.
Regulatory Listing:	Double Insulated Product ETL certified complying with ULI431 and ULI097 ETL certified to CSA C22.2 No. 68.
Electrical:	No extension cords.

SECTION 4—TYPICAL PRODUCT PARAMETERS

Placement:	No closer than three inches from any wall, furniture, draperies, or similar surfaces.
Tubing:	7 ft cannula with a maximum 50 ft of Crush-Proof Tubing (DO NOT pinch).
Relative Humidity:	20 to 60%
Time of Operation:	Up to 24 hours per day.
Recommended Storage and Shipping Temperature:	-20°F to 150°F (-29°C to 65°C), at 15-95% relative humidity.

**NOTE: Stated concentration levels achieved after initial warm-up period (approximately 30 minutes).*

SECTION 5—OPERATING INSTRUCTIONS

Introduction

Your oxygen concentrator is intended for individual use indoors. It is an electronically operated device that separates oxygen from room air. It provides high concentration of oxygen directly to you through a nasal cannula. Clinical studies have documented that oxygen concentrators are therapeutically equivalent to other types of oxygen delivery systems.

Your provider will show you how to use your oxygen concentrator. He/She should be contacted with any questions or problems regarding your oxygen concentrator. This owner's manual will tell you about your concentrator and will serve as a reference as you use your concentrator.

Select a Location

⚠ WARNING

NEVER block the air openings of the product or place it on a soft surface, such as a bed or couch, where the air opening may be blocked. Keep the openings free from lint, hair and the like. Keep unit at least 3 inches away from walls, draperies, furniture, and the like.

You may select a room where using your oxygen concentrator would be most convenient. Your concentrator can be easily rolled from room to room on its casters.

Your oxygen concentrator will perform best when operated under the following conditions. Refer to Typical Product Parameters on page 12. Usage in environments other than those described may result in the need for increased equipment maintenance. The air intake of the unit should be located in a well ventilated area to avoid smoke, airborne pollutants and/or fumes. DO NOT place in a closet.

Set Up

Plug in Power Cord

Plug in power cord to an electrical outlet.

Connect Humidifier (If So Prescribed)

⚠ WARNING

DO NOT overfill humidifier.

DO NOT reverse the oxygen input and output connections. Water from the humidifier bottle will travel through the cannula back to the patient.

NOTE: For this procedure, refer to FIGURE 5.1, FIGURE 5.2 on page 17, FIGURE 5.3 on page 18.

1. Remove cap from bottle.
2. Fill humidifier with distilled water to the level indicated by the manufacturer. Replace the humidifier cap and securely tighten.



FIGURE 5.1 Filling the Humidifier

3. Insert a flathead screwdriver in the plate groove on the top edge of the filter access door and gently pry the filter access door off (FIGURE 5.2).
4. Pull up and remove the humidifier bottle adapter (FIGURE 5.2).

SECTION 5—OPERATING INSTRUCTIONS

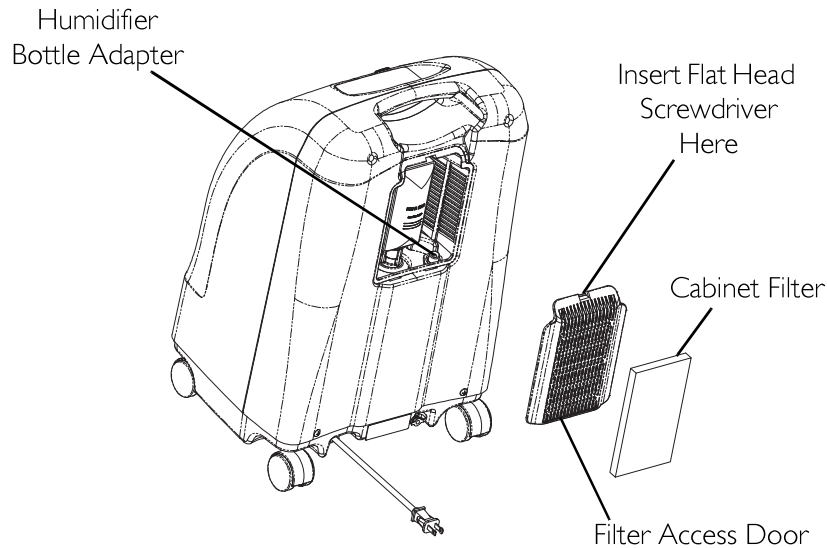


FIGURE 5.2 Humidifer Bottle Adapter

5. Attach the humidifier bottle adapter to the humidifier bottle by turning the wing nut on the humidifier bottle counterclockwise until it is securely fastened. See Detail "A" in FIGURE 5.3.
6. Place the humidifier bottle/adapter assembly in the humidifier compartment on the concentrator. See Detail "B" in FIGURE 5.3.
7. Attach oxygen tubing from the humidifier bottle/adapter assembly to oxygen outlet connector on the concentrator. See Detail "B" in FIGURE 5.3.
8. Attach the cannula/patient supply tubing to the humidifier bottle outlet. See Detail "B" in FIGURE 5.3.
9. After assembly, ensure that oxygen is flowing through the cannula.

SECTION 5—OPERATING INSTRUCTIONS

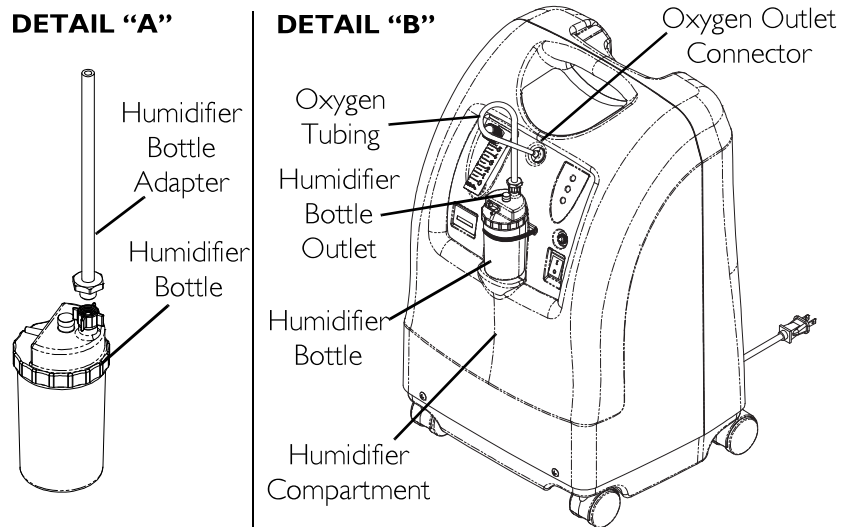


FIGURE 5.3 Humidifier Compartment

Power Switch

NOTE: For this procedure, refer to FIGURE 5.4.

1. Press power switch to on position. All the panel lights and the audible alarm will come on for one second, indicating that the unit is functioning properly.

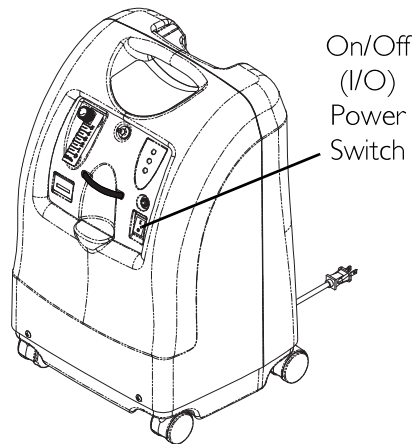


FIGURE 5.4 Power Switch

Flowrate

NOTE: For this procedure, refer to FIGURE 5.5 on page 20.

1. Turn the flowrate knob to the setting prescribed by your physician or therapist.

CAUTION

Never set the flow greater than 5 L/min.

⚠ WARNING

DO NOT change the L/min setting on the flowmeter unless a change has been prescribed by your physician or therapist.

NOTE: To properly read the flowmeter, locate the prescribed flowrate line on the flowmeter. Next, turn the flow knob until the ball rises to the line. Now, center the ball on the L/min line prescribed.

2. If the flowrate on the flowmeter ever falls below 0.5 L/min for more than about one minute, the LOW FLOW alarm will be triggered. This is a rapid beeping of the audible alarm. Check your tubing or accessories for blocked or kinked tubing or a defective humidifier bottle. After rated flow is restored, between 0.5 L/min and 0.75 L/min, the LOW FLOW audible alarm will turn off.

NOTE: The use of some accessories such as the pediatric flowstand and the HomeFill compressor will deactivate the Low Flow Alarm.

SECTION 5—OPERATING INSTRUCTIONS

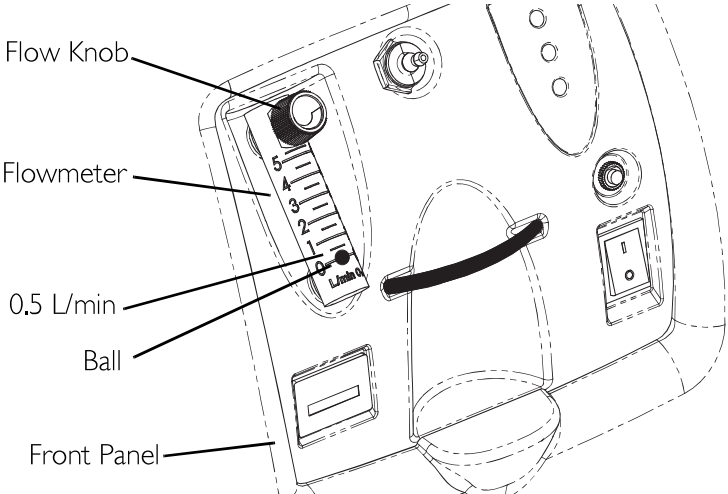


FIGURE 5.5 Flowrate

Front Panel Indicators - Units with SensO₂

The SensO₂ feature monitors the purity of oxygen generated by the oxygen concentrator. If purity falls below factory preset standards, indicator lights on the control panel will illuminate.

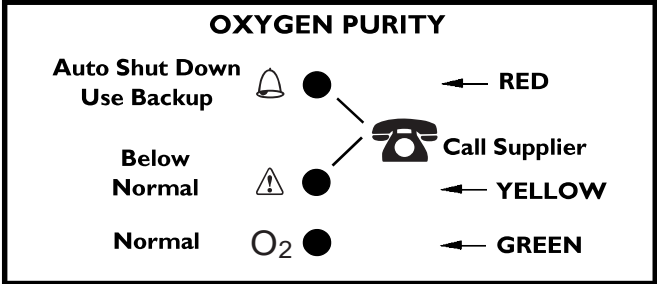




FIGURE 5.6 Front Panel Indicators - Units with SensO₂

SECTION 5—OPERATING INSTRUCTIONS

Initial Startup of the Concentrator

NOTE: Concentrator may be used during the initial start warm-up time (approximately 30 min.) while waiting for the O₂ purity to reach maximum.

LABEL SYMBOL	O ₂ PURITY	INDICATOR LIGHTS (LED)
O ₂	SYSTEM OKAY O ₂ over 85% (± 2%)	GREEN Indicator Light
	O ₂ Between 73% (± 3%) to 85% (±2%)	YELLOW Indicator light A. YELLOW Solid B. YELLOW Flashing Sensor Failure Call a qualified technician. Have a back-up supply of oxygen ready.
	SYSTEM FAILURE O ₂ Below 73% (±3%)	RED Indicator Light Continuous Audible Alarm Sieve-GARD Compressor Shut-down. Call a qualified technician. Switch to a back-up supply of oxygen immediately.

Front Panel Indicators - Units without SensO₂

NOTE: For this procedure, refer to FIGURE 5.7.

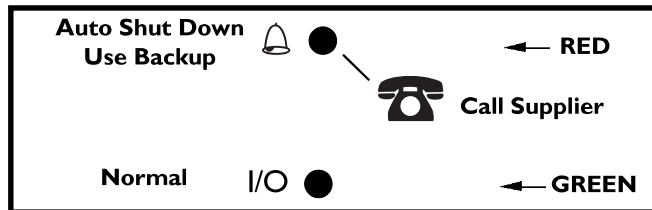



FIGURE 5.7 Front Panel Indicators - Units without SensO₂

SECTION 5—OPERATING INSTRUCTIONS

Initial Startup of the Concentrator

NOTE: Concentrator may be used during the initial start warm-up time (approximately 30 min). O₂ purity will build to a maximum during this period.

LABEL SYMBOL	STATUS	INDICATOR LIGHTS (LED)
I/O	SYSTEM OKAY	GREEN Indicator Light
	SYSTEM FAILURE	RED Indicator light Continuous Audible Alarm Sieve-GARD™ Compressor Shutdown Call a qualified technician. Switch to a back-up supply of oxygen immediately.

SECTION 6—MAINTENANCE

⚠ WARNING

The Invacare concentrators are specifically designed to minimize routine preventive maintenance. Only qualified personnel should perform preventive maintenance on the concentrator.

Power should be disconnected before beginning preventive maintenance on the Invacare concentrator.

NOTE: At a minimum, preventive maintenance MUST be performed according to the maintenance record guidelines. In places with high dust or soot levels, maintenance may need to be performed more often. Refer to Preventive Maintenance Record on page 25.

Routine Maintenance

NOTE: The following routine maintenance should be performed more frequently. See recommended intervals in each section and preventive maintenance record.

Cleaning the Cabinet Filter

CAUTION

DO NOT operate the concentrator without the filter installed.

NOTE: For this procedure, refer to FIGURE 6.1 on page 24.

NOTE: There is one cabinet filter located on the back of the cabinet.

1. Remove the filter and clean at least once a week depending on environmental conditions.

NOTE: Environmental conditions that may require more frequent cleaning of the filters include but are not limited to: high dust, air pollutants, etc.

SECTION 6—MAINTENANCE

2. Clean the cabinet filter with a vacuum cleaner or wash in warm soapy water and rinse thoroughly.
3. Dry the filter thoroughly before reinstallation.

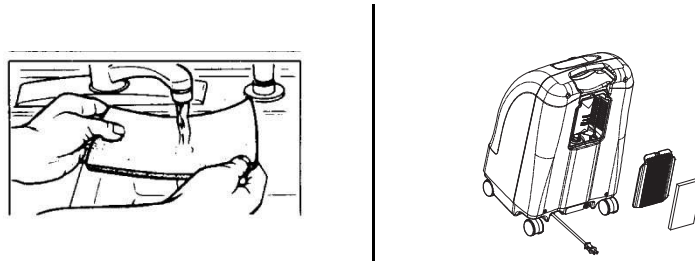


FIGURE 6.1 Cleaning the Cabinet Filter

Cleaning the Cabinet

Clean the cabinet with a mild household cleaner and non-abrasive cloth or sponge.


Cleaning the Humidifier

NOTE: To clean the oxygen humidifier, follow the instructions provided by the manufacturer. If none are provided, follow these STEPS:

1. Clean the humidifier every day.
2. Wash it in soapy water and rinse it with a solution of ten parts water and one part vinegar.
3. Rinse thoroughly with hot water and refill with distilled water to the level shown on the humidifier.

SECTION 6—MAINTENANCE

MODEL NO. IRC _____ SERIAL NO. _____



PREVENTIVE MAINTENANCE RECORD

	Yes, you can:											
ON EACH INSPECTION												
Record Date of Service												
Record Elapsed Hours On Hour Meter												
Clean Cabinet Filter(s)												
Check Prescribed L/min. Flow Rate												
EVERY 4,380 HOURS												
Check Oxygen Concentration (UNITS WITHOUT SensO ₂)												
EVERY 26,280 HOURS OR 3 YEARS, WHICHEVER COMES FIRST												
Check Oxygen Concentration (UNITS WITH SensO ₂)												
DURING PREVENTIVE MAINTENANCE SCHEDULE, OR BETWEEN PATIENTS												
Clean/Replace Cabinet Filter(s)												
Check Outlet HEPA Filter*												
Check Compressor Inlet Filter*												
Check Power Loss Alarm												
AS REQUIRED												
Clean Heat Exchanger												
Replace Exhaust Muffler												
Rebuild Top End of Compressor												

*NOTE: Refer to Preventive Maintenance section of Service Manual.
 NOTE:
 4,380 hours are equivalent to usage 24 hours per day, 7 days per week, for 6 months.
 26,280 hours are equivalent to usage 24 hours per day, 7 days per week, for 3 years.

FIGURE 6.2 Preventive Maintenance Record

SECTION 7—TROUBLESHOOTING GUIDE

SYMPTOM:	PROBABLE CAUSE:	SOLUTION:
Alarm: Short beeps, long pause Concentrator not operating, power switch On. Beep.....Beep.....	Main Power Loss: 1. Power cord not plugged in.	1. Insert plug into outlet.
	2. No power at outlet.	2. Inspect house circuit breakers or fuses. If problem recurs, use a different outlet.
	3. Tripped circuit breaker.	3. Call Service Provider.
Alarm: Continuous Concentrator not operating, Power Switch On. Beeeeeeeep....	System Failure: 1. Unit overheating due to blocked air intake.	1a. Remove and clean cabinet filters. 1b. Move oxygen concentrator at least three inches away from walls, draperies or furniture.
	2. Insufficient power at outlet.	2. DO NOT use extension cords. Move to another electrical outlet or circuit.
	3. Internal repairs required.	3. Call Service Provider.
Alarm: Rapid Beep....Beep... Beep...Beep	Low Flow Alarm: 1. Kinked or blocked tubing, cannula or humidifier.	1. Inspect for kinks or blockages. Correct, clean or replace item. Once corrected, turn power Off for 60 seconds and then turn power back ON.
	2. Flowmeter set at 0.5 L/min or less.	2. Reset flowmeter to prescribed flowrate. If prescribed flowrate is below 0.5 L/min, use the Pediatric Flowmeter IRCPF16 (Only with Perfecto ₂ 5).

SECTION 7—TROUBLESHOOTING GUIDE

SYMPTOM:	PROBABLE CAUSE:	SOLUTION:
<p>YELLOW or RED light Illuminated.</p> <p>Alarm: Continuous On RED light only.</p> <p>* Only applies to IRC5PO2.</p>	1. Low oxygen purity.*	1. Clean or Replace filters.
	2. Kinked or blocked tubing, cannula or humidifier.*	2. Inspect for kinks or blockages. Correct, clean or replace item. Once corrected, turn power Off for 60 seconds and then turn power back On.
	3. Flowmeter set at 0.5 L/min or less.*	3. Check flowmeter is set to 1.0 L/min or more.
	4. Unit overheating due to blocked air intake.	4a. Remove and clean cabinet filters.
		4b. Move concentrator at least three inches from walls, draperies, and furniture.
	5. Insufficient power at outlet.	5. DO NOT use extension cords. Move to another electrical outlet or circuit.
6. Internal repairs required.	6. Call Service Provider.	
GREEN light with YELLOW Light Flashing.	1. Internal repairs required.	1. Call Service Provider.

NOTES

NOTES

NOTES

NOTES

NOTES

LIMITED WARRANTY

NOTE: THE WARRANTY BELOW HAS BEEN DRAFTED TO COMPLY WITH FEDERAL LAW APPLICABLE TO PRODUCTS MANUFACTURED AFTER JULY 4, 1975.

This warranty is extended only to the original purchaser who purchases this product when new and unused from Invacare Corporation or a dealer. This warranty is not extended to any other person or entity and it is not transferable or assignable to any subsequent purchaser or owner. Coverage under this warranty will end upon any such subsequent sale or other transfer of title to any other person. This warranty gives you specific legal rights and you may also have other legal rights which may vary from state to state.

Invacare Corporation warrants its Perfecto₂ Oxygen Concentrators when purchased new and unused to be free from defects in materials and workmanship for a period of three years from date of purchase from Invacare or a dealer, with a copy of the seller's invoice required for coverage under this warranty.

DO NOT OPEN OR ATTEMPT TO SERVICE THE 4-WAY VALVE BODY. This will void any and all warranty applicable to the valve body. If within such warranty periods any such product shall be proven to Invacare Corporation's satisfaction to be defective, such product shall be repaired or replaced, at Invacare Corporation's option. This warranty only applies to the labor for repairs performed by the Invacare Service Department or Invacare Authorized Service Centers. It does not apply to the labor performed by the purchaser or user. This warranty does not include normal wear and tear or shipping charges. Invacare Corporation's sole obligation and your exclusive remedy under this warranty shall be limited to such repair or replacement. Routine maintenance items, such as filters, are excluded from this warranty.

For warranty service, please contact Invacare Corporation's Service Department at the toll free number on the back cover. Upon receiving notice of an alleged defect in a product, Invacare Corporation will issue a serialized return authorization. It shall then be the responsibility of the purchaser to return the entire unit or remove, at purchaser's cost, the defective component part(s) identified, pack the component part(s) in a manner to avoid shipping damage and to ship the component part(s) to either Invacare Corporation's plant or service center as specified by Invacare Corporation in advance. Defective component part(s) **MUST** be returned for warranty inspection using the serial number as identification within thirty days of return authorization date. **DO NOT** return products to our factory without prior consent. C.O.D. shipments will be refused; please prepay shipping charges.

LIMITATIONS AND EXCLUSIONS: THE FOREGOING WARRANTY SHALL NOT APPLY TO PRODUCTS SUBJECTED TO NEGLIGENCE, ACCIDENT, IMPROPER OPERATION, MAINTENANCE OR STORAGE, SOOT OR SMOKE-FILLED ENVIRONMENTS, OR OTHER THAN NORMAL APPLICATION, USE OR SERVICE, OR TO PRODUCTS MODIFIED WITHOUT INVACARE CORPORATION'S EXPRESS WRITTEN CONSENT (INCLUDING, BUT NOT LIMITED TO, MODIFICATION THROUGH THE USE OF UNAUTHORIZED PARTS OR ATTACHMENTS) OR TO PRODUCTS DAMAGED BY REASON OF REPAIRS MADE TO ANY COMPONENT WITHOUT THE SPECIFIC CONSENT OF INVACARE CORPORATION OR TO PRODUCTS DAMAGED BY CIRCUMSTANCES BEYOND INVACARE CORPORATION'S CONTROL.

THE FOREGOING EXPRESS WARRANTY IS EXCLUSIVE AND IN LIEU OF ANY OTHER WARRANTIES WHATSOEVER, WHETHER EXPRESS OR IMPLIED, INCLUDING THE IMPLIED WARRANTIES OF MERCHANTABILITY AND FITNESS FOR A PARTICULAR PURPOSE, AND THE SOLE REMEDY FOR VIOLATIONS OF ANY WARRANTY WHATSOEVER, SHALL BE LIMITED TO REPAIR OR REPLACEMENT OF THE DEFECTIVE PRODUCT PURSUANT TO THE TERMS CONTAINED HEREIN. THE APPLICATION OF ANY IMPLIED WARRANTY WHATSOEVER SHALL NOT EXTEND BEYOND THE DURATION OF THE EXPRESS WARRANTY PROVIDED HEREIN. INVACARE SHALL NOT BE LIABLE FOR ANY CONSEQUENTIAL OR INCIDENTAL DAMAGES WHATSOEVER.

SOME STATES DO NOT ALLOW THE EXCLUSION OR LIMITATION OF INCIDENTAL OR CONSEQUENTIAL DAMAGE, OR LIMITATION OF HOW LONG AN IMPLIED WARRANTY LASTS, SO THE ABOVE EXCLUSION AND LIMITATION MAY NOT APPLY TO YOU.

THIS WARRANTY SHALL BE EXTENDED TO COMPLY WITH STATE/PROVINCIAL LAWS AND REQUIREMENTS.



Invacare Corporation

www.invacare.com

USA
One Invacare Way
Elyria, Ohio USA
44036-2125
800-333-6900
Technical Services
800-832-4707

© 2009 Invacare Corporation. All rights reserved. Republication, duplication or modification in whole or in part is prohibited without prior written permission from Invacare. Trademarks are identified by ™ and ®. All trademarks are owned by or licensed to Invacare Corporation or its subsidiaries unless otherwise noted.

Part No 1143482

Rev E - 11/09

