



### PLATINUM SMART-HEAT™ ELECTRIC HEATERS BY BROMIC

## CEILING RECESS INSTALLATION INSTRUCTIONS

FOR MODEL 2300 W

#### WARNING

Joists, beams and rafters shall not be cut or notched to install the heater.

#### WARNING

Instructions below are suitable for ceiling surfaces 10-30mm (0.39"-1.2") thick. For ceiling surfaces thicker than 30mm (1.2"), contact Bromic for alternative installation options.

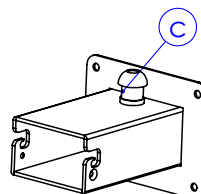
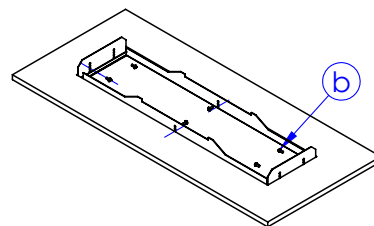
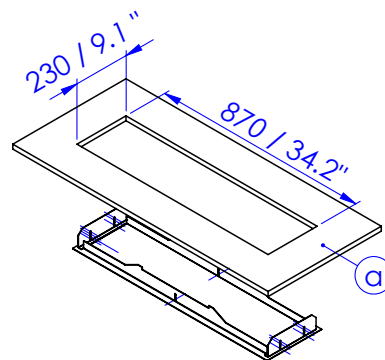
#### WARNING

The heater shall, under no circumstance, be covered with insulating material or similar material.

#### WARNING

Minimum vertical ceiling space clearance between the heater frame and ceiling surface must be 250mm (9.8"). Minimum horizontal ceiling space clearance measured from each edge of ceiling cut out must be 500mm (19.7"). Minimum distance between heaters measured from edge of ceiling cut out must be 500mm (19.7").

1. Prepare ceiling cut-out with dimensions 870mm x 230mm (9.1 x 34.2") to fit ceiling recess frame (a). Heater must be installed with heater surface at least 2400mm (94") above the floor level, with 500mm (19.7") clearance to the nearest wall on all sides of the heater.
2. From below, bring ceiling frame up and into ceiling cutout. Fasten ceiling frame into cut-out at both ends and centre using appropriate screws (b). Which locator hole to use is dictated by the thickness of the ceiling surface. The fastening screws must be inserted into a strong material that can easily support the weight of the heater. Your installation may require re-enforcing before the frame can be safely installed.
3. Unscrew and remove plug-in wall bracket. Attach extra supplied cable gland into the same hole from the outside of the bracket. Fasten in place with metal cable gland nut from inside the bracket (c).



# CEILING RECESS INSTALLATION INSTRUCTIONS CONTINUED...

4. Feed heater power cable through cable gland from inside of wall bracket **(d)**.
5. Ensure M6x14mm screws are inserted into either side of heater bracket with 6mm of the threaded shaft exposed under the screw head. **(e)**.
6. Insert heater bracket into mounting bracket by hooking M6 screws into place in mounting slots **(f)**.
7. Fix heater to bracket in straight position using M4x10mm positioning screws on either side of mounting bracket **(g)**. Ensure M6 screws are sitting fully in the mounting slots (as if the heater were hanging from the wall bracket).
8. Fit the smaller, straight cover over the heater bracket so that the slots pass over the shafts of the M6x14mm mounting screws **(h)**. Fit the larger cover over the smaller cover in the same way from the opposite side of the bracket **(i)**.
9. Tighten mounting screws firmly, ensuring covers fit snugly against the bracket on all sides **(j)**.
10. Firmly tighten cable gland in wall bracket so that cable does not move when pulled.
11. Attach the bracket end-cap to the wall bracket using the 4 M5 screws and nuts provided **(k)**.
12. Remove the 4 M5 screws fastening the heater mounting bracket to the back of the heater. Re-insert the screws with both halves of the ceiling support bracket in place and tighten firmly. **(l)**
13. Make electrical connection from heater to power supply. This is described under 'Electrical Installation'
14. Raise one long side of heater up into ceiling frame cavity & then raise whole heater into cavity. **(m)**
15. Rotate the heater into level position in the ceiling cavity **(n)** and then lower down onto the ceiling frame. Ensure the heater brackets are hooked over the ceiling frame and sitting in the slots on both sides. **(o)**

