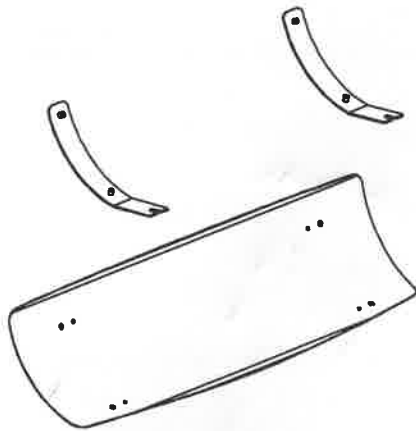
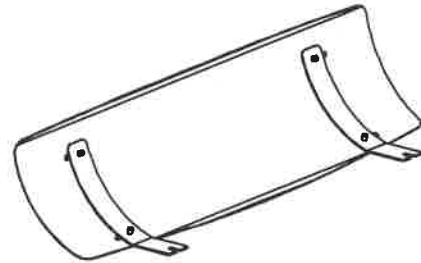


1

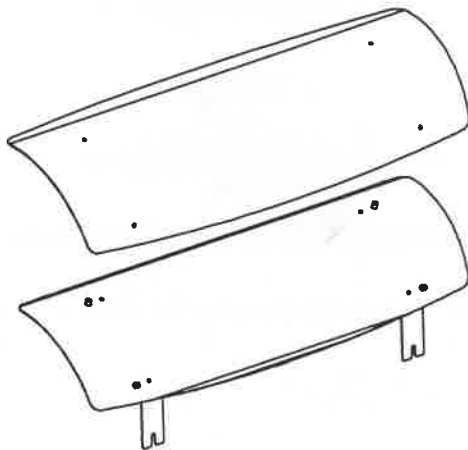


2

Attach Mounting Brackets to Inner Skin of Heat Deflector using 4xM4 screws provided.

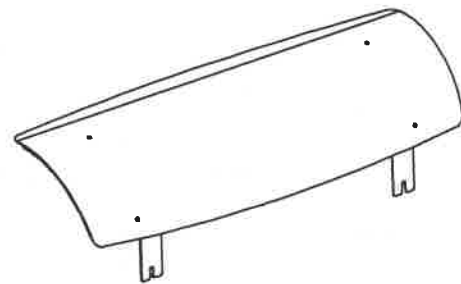


3

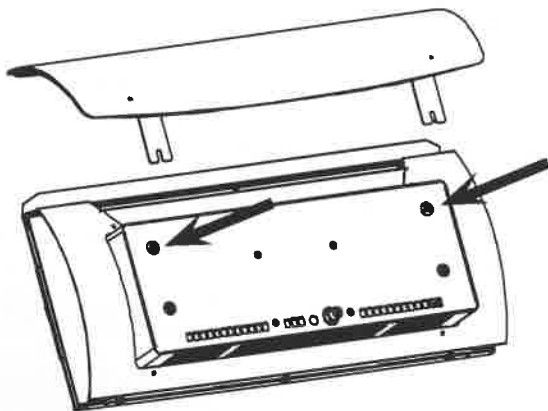


4

Turn Heat Deflector over and attach Outer Skin to Inner Skin using 4xM4 screws provided.



5



6

Mount Heat Deflector to back of heater by loosening the two screws and secure brackets underneath washers. Re-tighten screws to original position using screw driver.

