



Assembly Instructions for Cart for use with Solaire AllAbout Double Burner Infrared Grill



Item #SOL-AA23GC

+



Item #SOL-AA23A-LP
(sold separately)

=



Complete Grill on Cart

**Read This Manual Thoroughly Before Assembling Cart
or Using Grill**

Manufactured by: **Rasmussen Gas Logs & Grills**
12028 Philadelphia Street, Whittier, CA 90601 USA
562-696-8718 fax: 562-698-3510 Info@Rasmussen.biz www.SolaireGrills.com
Quality Products Since 1907

OUTDOOR USE ONLY

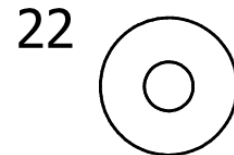
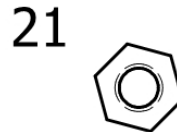
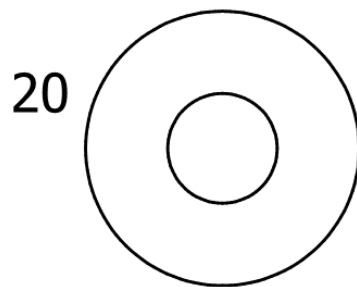
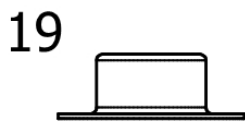
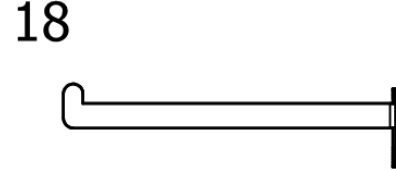
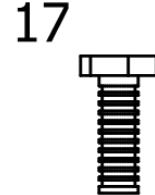
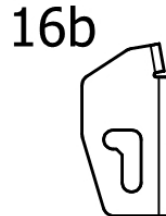
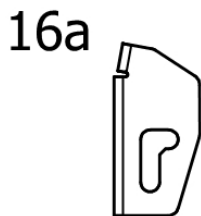
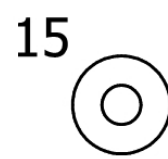
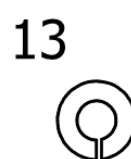
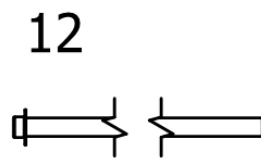
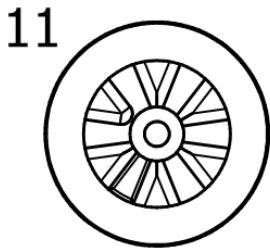
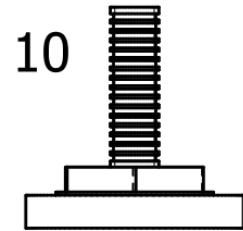
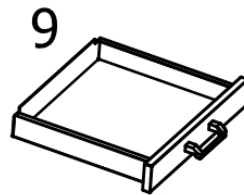
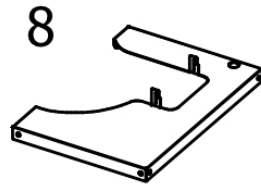
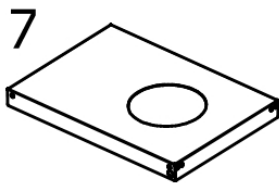
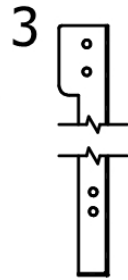
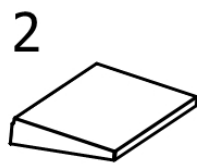
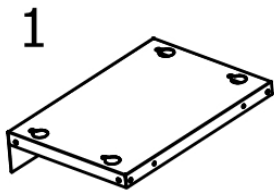
Your SOLAIRE INFRARED Grill is designed for outdoor use only and must not be installed in or on recreational vehicles and/or boats.

Tools Needed

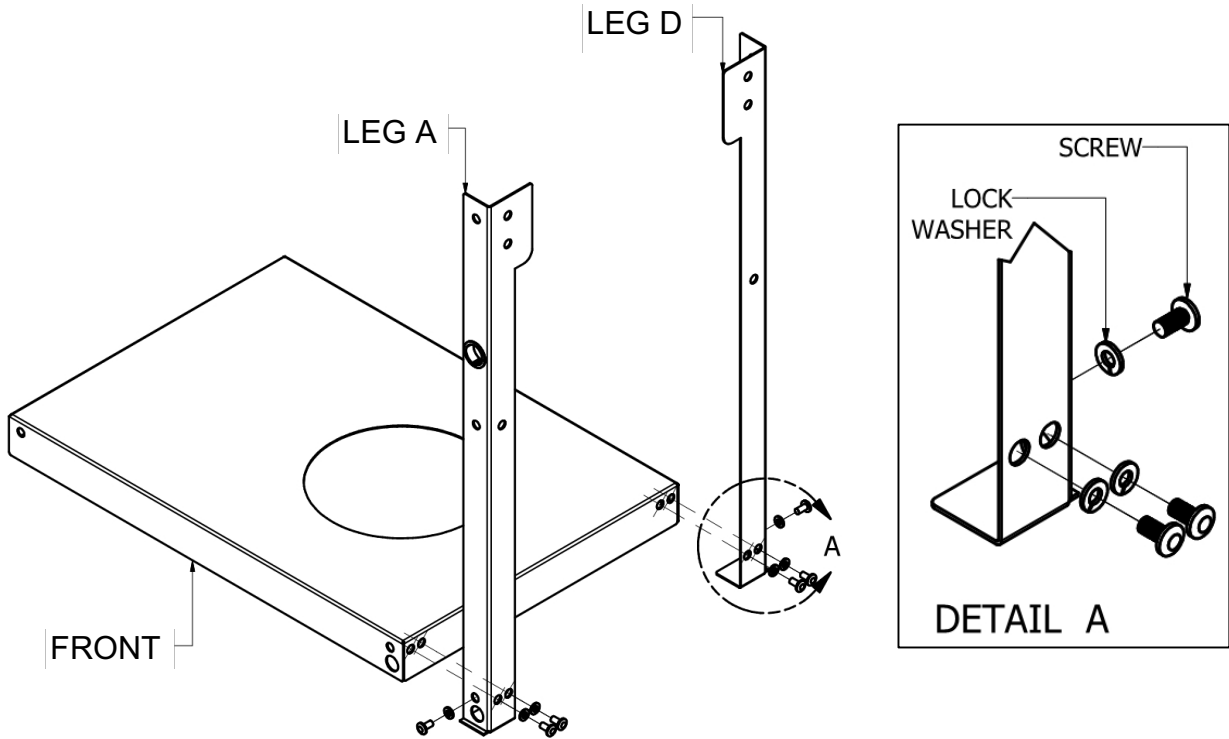
- Mallet or Hammer
- Screwdriver, Phillips Head
- 7/16" End Wrench
- 8" or larger Adjustable Wrench

Parts List

ID #	Part #	Description	Qty
1	SOL-11024R	Top Shelf	1
2	SOL-2784R	Side Shelf	2
3	SOL-11028R	Front Left Leg "B"	1
4	SOL-11029R	Back Left Leg "C"	1
5	SOL-11030R	Back Right Leg "D"	1
6	SOL-11027R	Front Right Leg "A"	1
7	SOL-11026R	Bottom Shelf	1
8	SOL-11025R	Middle Shelf	1
9	SOL-11033R	Drawer	1
10	SOL-1717R-A	Adjustable Feet (factory installed)	2
11	SOL-2301	Wheel	2
12	SOL-2303	Axle with Cap Installed, 22"	1
13	SOL-7011	Lock Washer, 1/4"	32
14	SOL-7013	Screw, 1/4-20 x .5"	24
15	SOL-7014	Flat Washer, 1/4-20	4
16a	SOL-9049RB-L	Side Shelf Bracket - Left	2
16b	SOL-9049RB-R	Side Shelf Bracket - Right	2
17	SOL-7012	Hex Bolt, 1/4-20 x .75"	8
18	SOL-11031R	Tank Guard	1
19	SOL-2304	Axle Cap, 5/8"	1
20	SOL-2305	Axle Washer, 1 3/4 x 11/16	2
21	SOL-7007	Hex Nut, 5/16-18	4
22	SOL-2313R	Flat Washer, 7/8 x 5/16	4



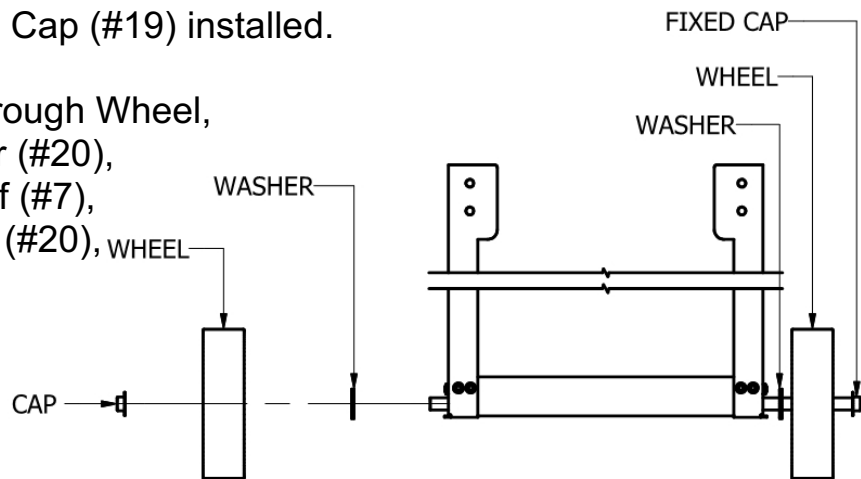
Step 1 - Assemble Legs A (#6) and D (#5) to Right Side of Bottom Shelf (#7) using 3-Screw (#14) and 3-Lock Washer (#13) per leg.



Step 2 - Assemble Wheels (#11) to Axle (#12) through Bottom Shelf (#7).

Axle comes with one Axle Cap (#19) installed.

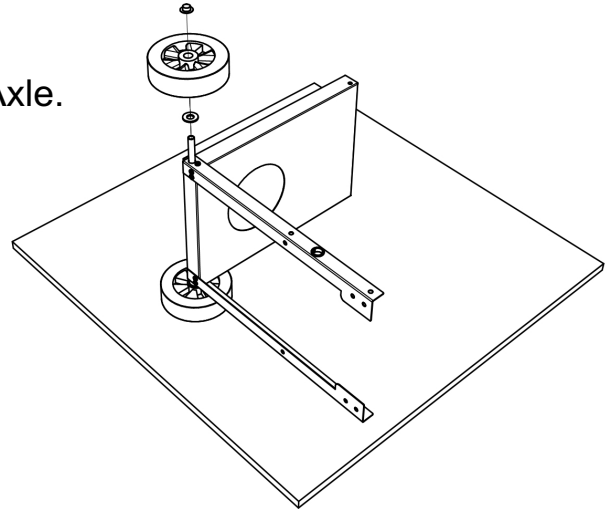
Slide open end of Axle through Wheel, then through Axle Washer (#20), then through Bottom Shelf (#7), then through Axle Washer (#20), WHEEL then through Wheel (#11).



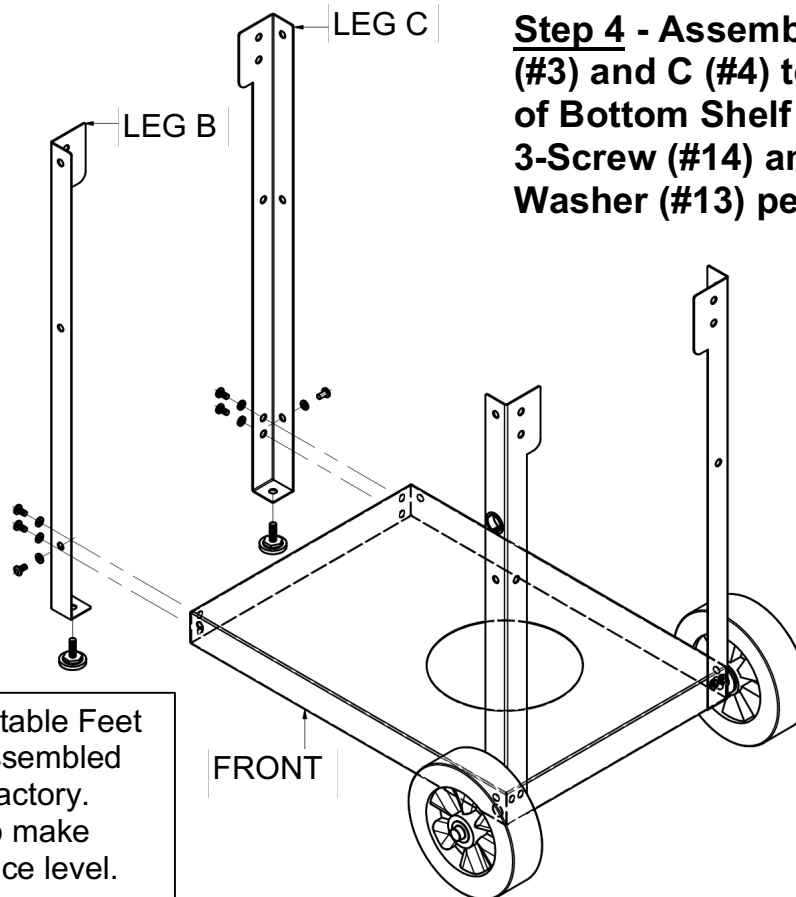
Step 3 - Assemble Axle Cap (#19) to secure Wheel Assembly to Cart

Place assembly as shown onto cardboard or other slick surface to prevent scratching of parts.

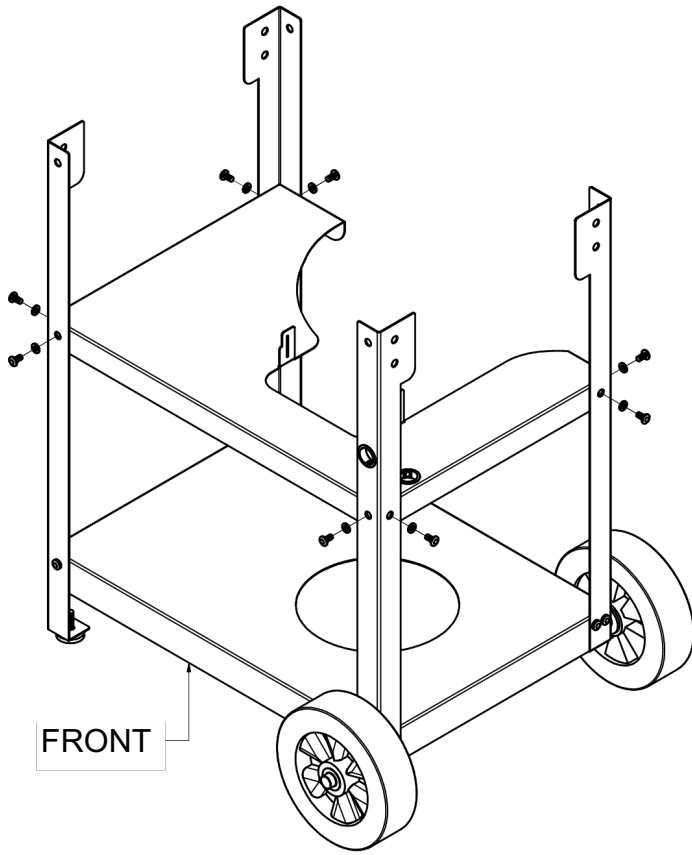
Using a mallet, or hammer with piece of cardboard between hammer face and Axle Cap (to prevent marring the Cap's finish), strike Axle Cap strongly to secure Cap to Axle.



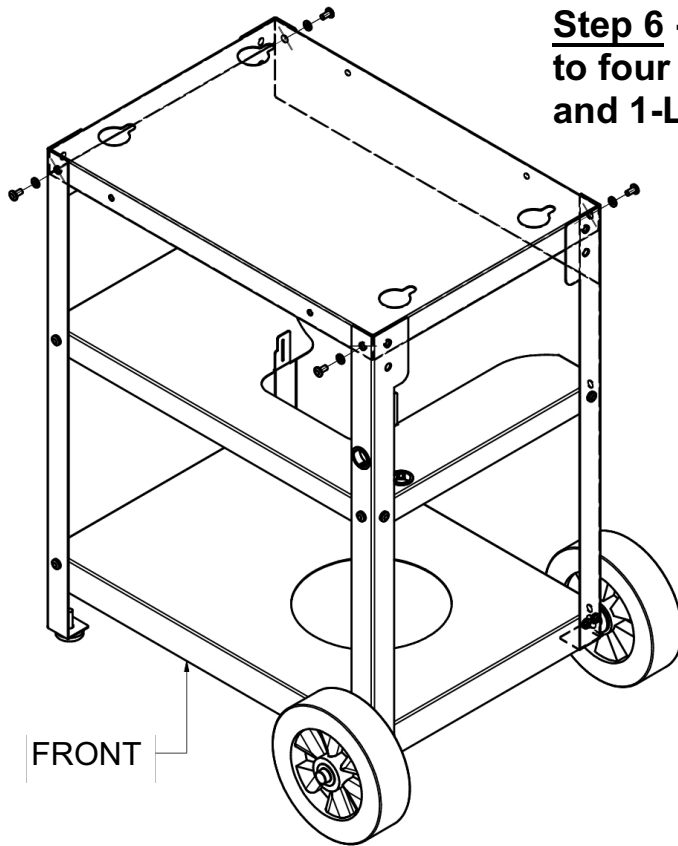
Step 4 - Assemble Legs B (#3) and C (#4) to Left Side of Bottom Shelf (#7) using 3-Screw (#14) and 3-Lock Washer (#13) per leg.



Note: Adjustable Feet (#10) are assembled to Legs by factory. Turn Feet to make grilling surface level.

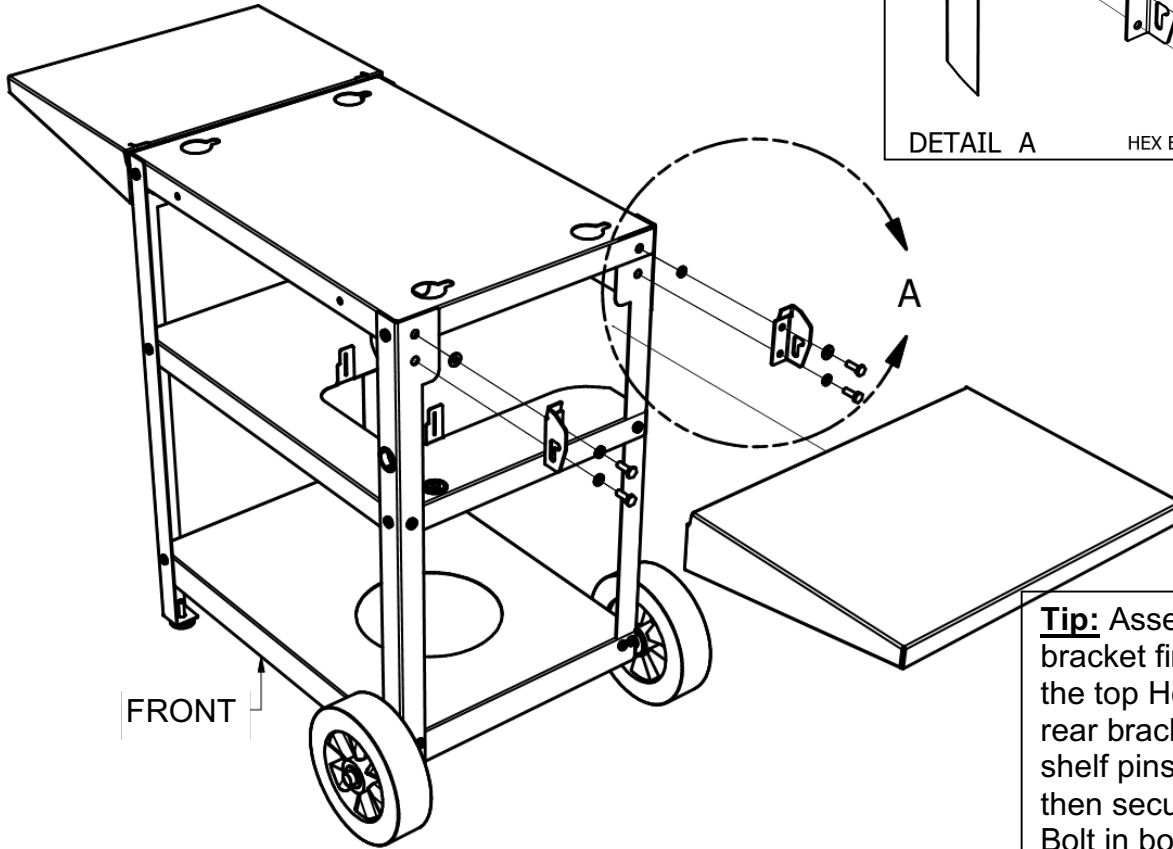
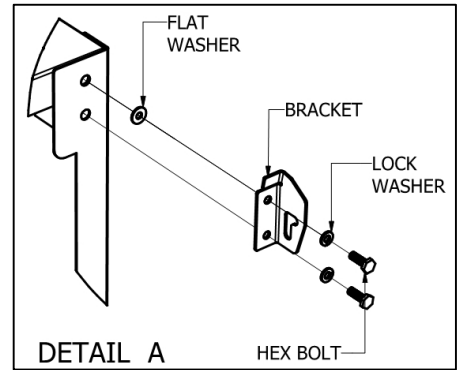


Step 5 - Assemble Middle Shelf (#8) to four Legs using 2-Screw (#14) and 2-Lock Washer (#13) per leg.



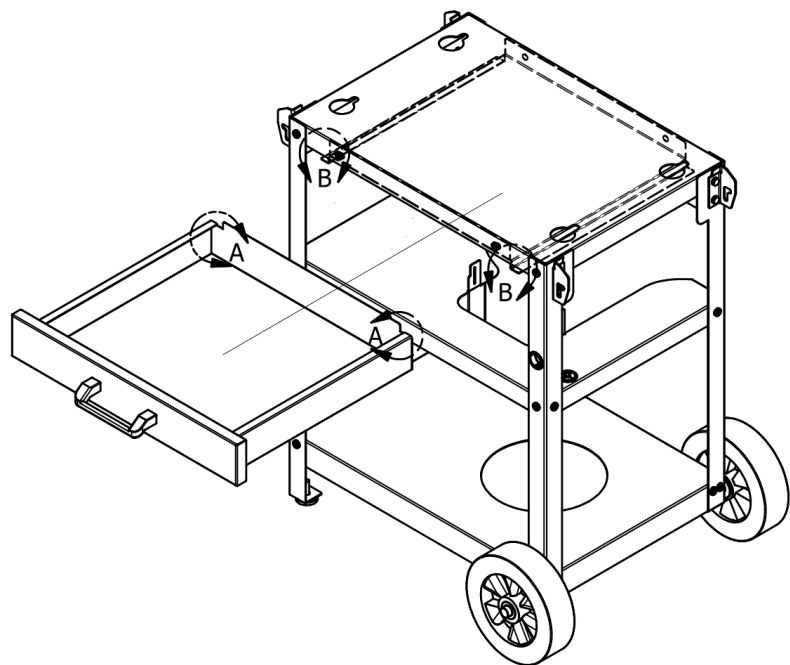
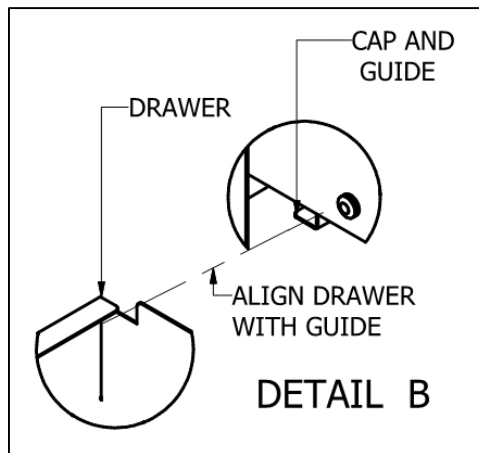
Step 6 - Assemble Top Shelf (#1) to four Legs using 1-Screw (#14) and 1-Lock Washer (#13) per leg.

STEP 7 - Assemble Side Shelf (#2) to right side of cart using 1-Right Bracket (#16b) and 1-Left Bracket (#16a); 2-Hex Bolt (#17), 1-Flat Washer (#15) on the top Hex Bolt, and 2-Lock Washer (#13) per bracket. Repeat for left side.



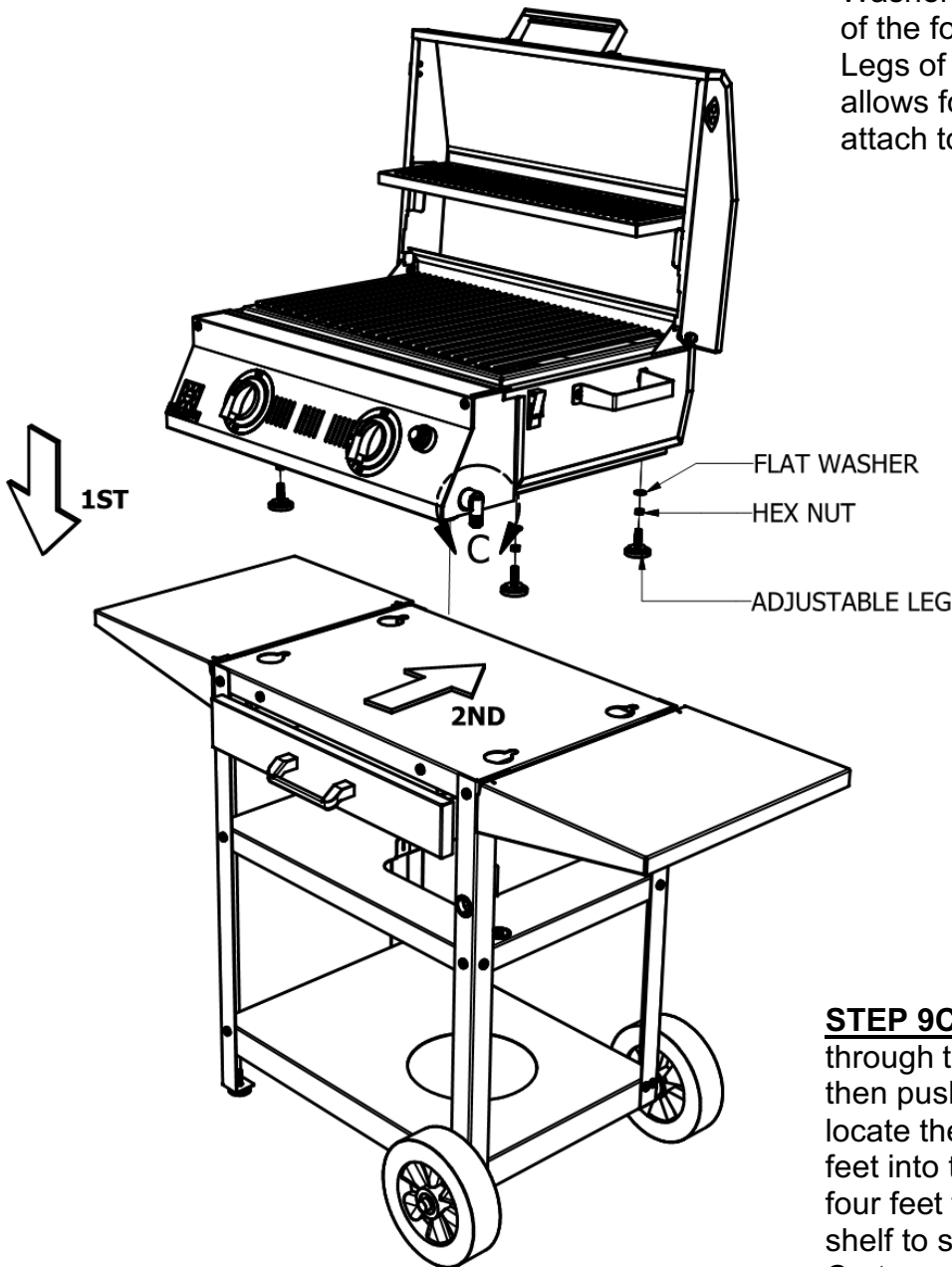
Tip: Assemble front bracket first, then just the top Hex Bolt of the rear bracket. Insert shelf pins into slots, then secure with Hex Bolt in bottom hole of rear bracket.

STEP 8 - Insert Drawer (#9) into guides underneath Top Shelf (#1).



STEP 9 - Assemble Grill (Solaire AllAbout Double Burner) to Cart

STEP 9A - Thread Hex Nut (#21) and Flat Washer (#22) onto each of the four Adjustable Legs of the Grill (which allows for Grill to securely attach to Cart).



STEP 9B - With Adjustable Wrench, turn gas input fitting clockwise to straight down position.



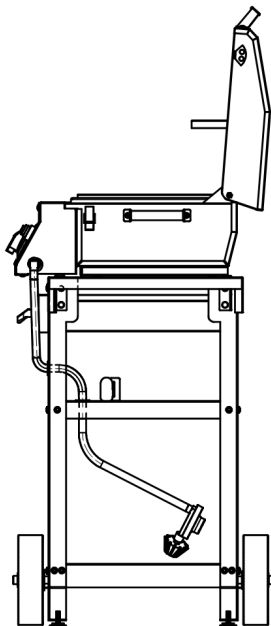
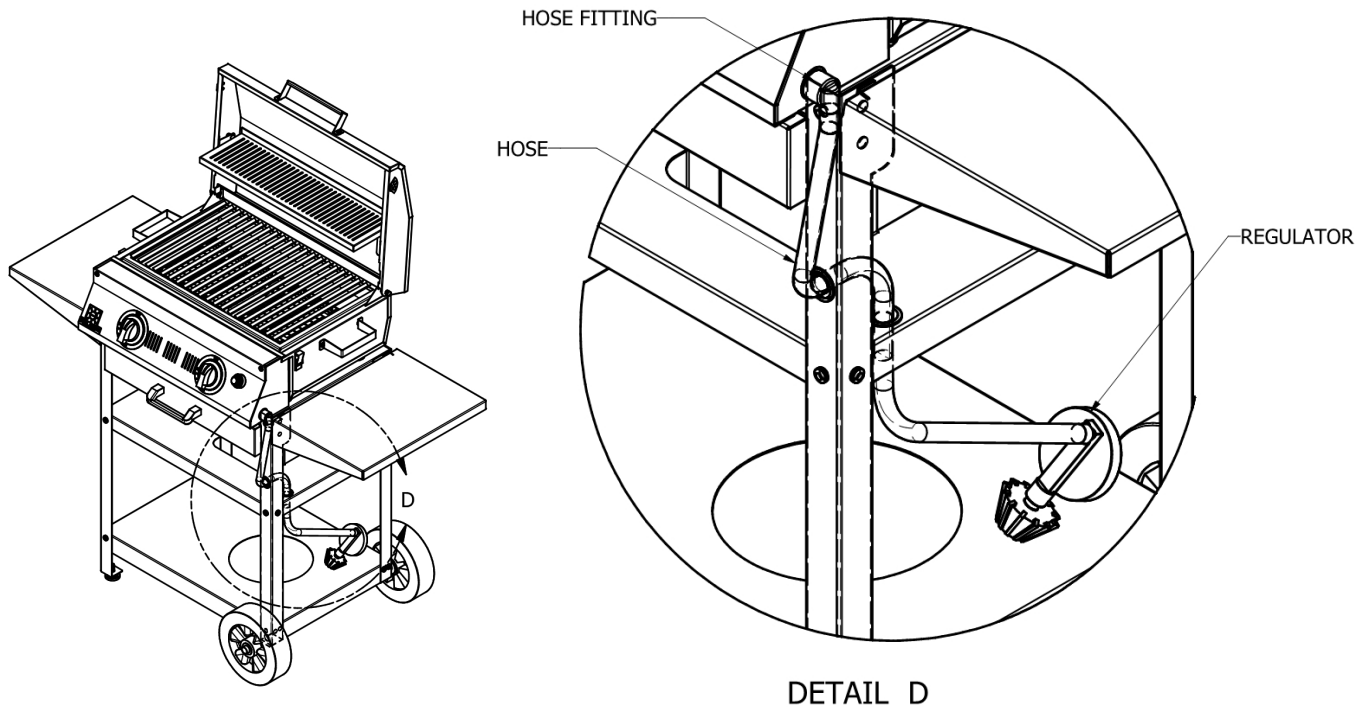
DETAIL C

STEP 9C - Set the four feet through the holes in the top shelf, then push the grill to the rear to locate the threaded portion of the feet into the keyways. Tighten the four feet from underneath the top shelf to secure the Grill to the Cart.

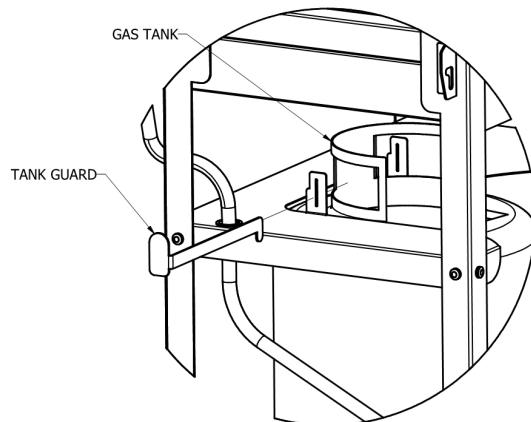
STEP 10 - Connect Hose to Grill, then Hose to Propane Tank

From underneath the Middle Shelf (#8), pass the small end of the Hose (supplied with the Grill) through the hole, then through the hole in the Front Right Leg "A" (#6). Assemble the fitting onto the Hose Fitting on the Grill (Note: Do Not use Teflon tape or pipe thread compound on these threads, as doing so could result in a gas leak). Tighten fitting snugly with wrench.

Insert 20 lb. Propane Tank into hole in Bottom Shelf. Hand-tighten fitting on Regulator to tank.



STEP 11 - Secure Propane Tank by sliding the Tank Guard (#18) through the two slots on both sides of the upper portion of the tank.



STEP 12 - Happy Grilling!

Care of Your Cart

Please refer to the Care/Use Manual provided with your AllAbout Grill for Care of Stainless Steel, or visit our Knowledge Base at www.RasBox.com

Solaire Infrared Grills Limited Warranty

This warranty covers Item #SOL-AA23GC

DURATION OF WARRANTY

Rasmussen Iron Works, Inc. warrants all Cart components to the original purchaser to be free of factory defects in material and workmanship for a period of Two (2) years from the original date of purchase. This does not apply if the unit was subject to other than normal household use.

Rasmussen Will Cover:

Repair or replacement, at our election, for parts found to be defective due to defects in materials or workmanship.

Rasmussen WILL NOT Cover:

- Installation or start-up
- Damage resulting from accident, alteration, misuse, abuse, hostile environments, improper installation or installation not in accordance with local codes.
- General maintenance. • Shipping damage • Service by an unauthorized agency.
- Damage or repairs due to service by an unauthorized agency.
- The use of unauthorized parts. • Overtime, weekends, holidays
- Improper installation, such as: no regulator, improper hook-up, etc.
- Service visits to correct the installation. • Repairs due to other than normal use.
- Supply the user with operational assistance on site.

Replacement will be F.O.B. Rasmussen Iron Works, Inc., Whittier, California. Rasmussen will not be liable for any transportation costs, labor costs, or export duties. This warranty shall not apply, nor can we assume responsibility for damage that might result from failure to follow manufacturer's instructions or local codes, where the appliance has been tampered with or altered in any way or which, in our judgement, has been subjected to misuse, negligence, or accident. Implied warranty shall not extend beyond the duration of this written warranty. This warranty is in lieu of all other warranties expressed or implied and all other obligations or liability, in connection with the sale of this appliance.

How to Obtain Service:

For warranty service, contact Rasmussen. Provide the Model #, Serial #, gas type and date of installation, and a brief description of the problem, as well as photos (up to 8 mb per email) that support your claim.

Contact us at:

Rasmussen Gas Logs & Grills
12028 Philadelphia Street, Whittier, CA 90601 USA
562-696-8718 fax: 562-698-3510 Info@Rasmussen.biz