

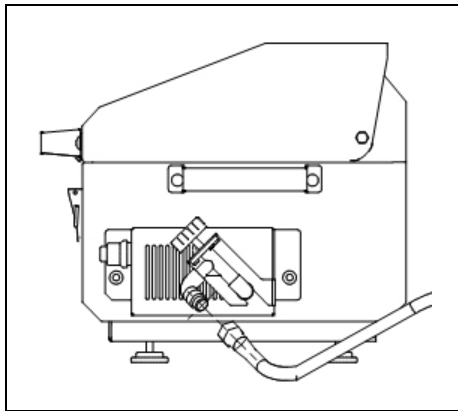


www.solairegrills.com

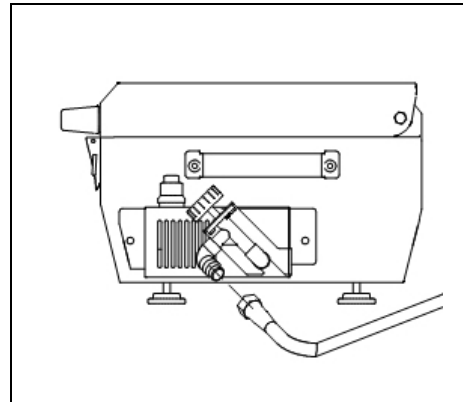
## Low Pressure Propane Conversion Kit for Solaire Anywhere and Solaire Everywhere Portable Infrared Grills SOL-SALPC (Valve & Hose) and SOL-SALPV (Valve only)

The Solaire Anywhere and Everywhere portable infrared grills come standard with a valve/regulator (part #SOL-17-4B) that converts the high pressure propane from 1 lb. bottles to a delivery pressure of approximately 11 inches of water column pressure required for the burner to operate properly. The output from most RV and home propane systems is regulated to low pressure with an installed regulator. This kit replaces that Solaire valve/regulator with an unregulated valve orificed to deliver the proper amount of low pressure propane to the Solaire Infrared Burner.

1. Remove the valve/regulator provided with your Solaire Anywhere or Everywhere grill.
2. Fig. 1 - Assemble the Stainless Steel Bracket and Valve Assembly onto the existing burner inlet at the side housing with the push button igniter.

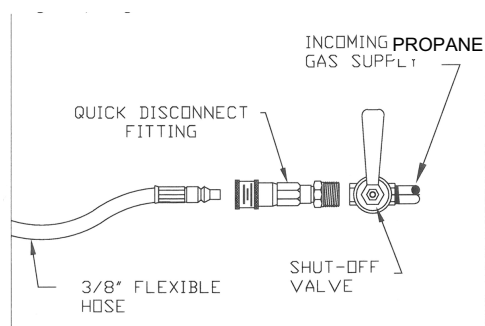


**Figure 1** Anywhere



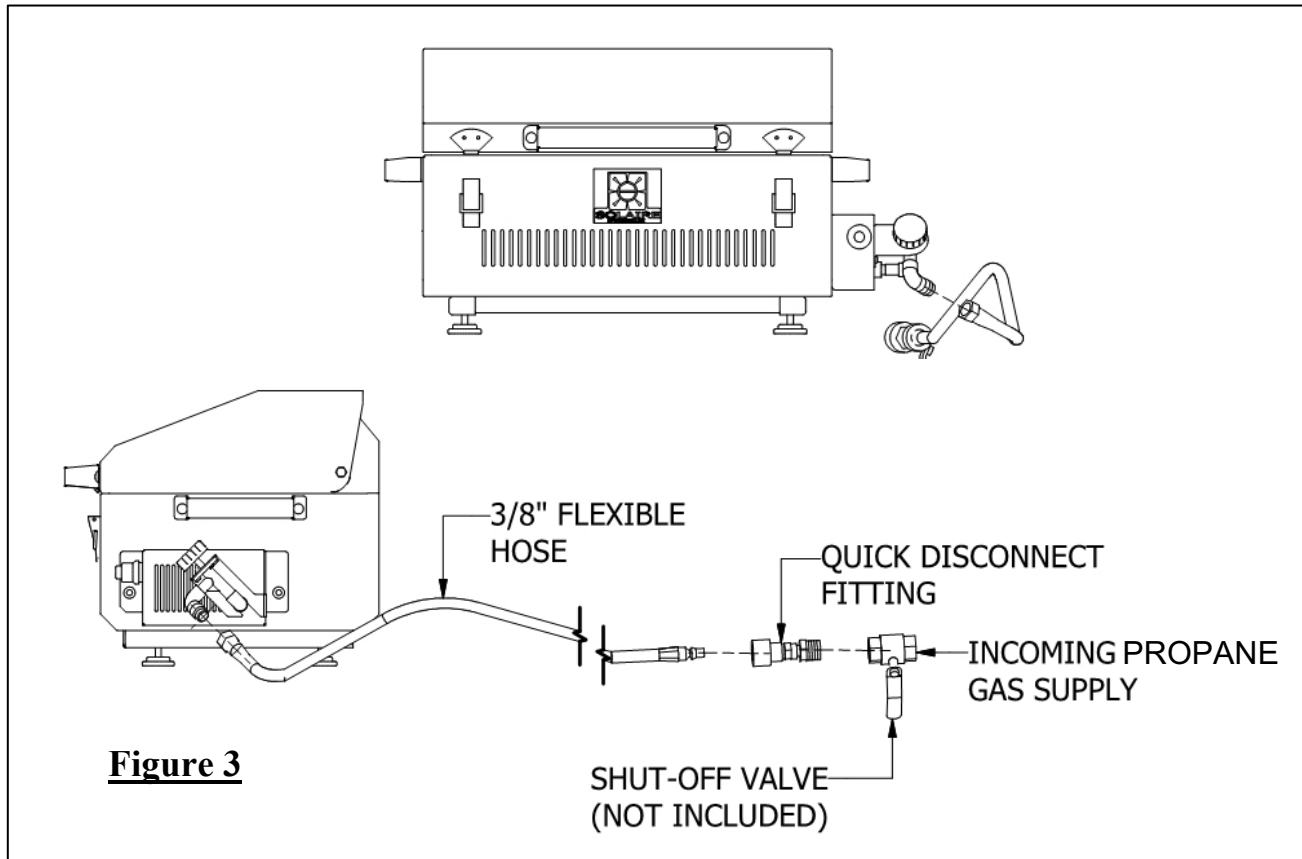
Everywhere

3. Fig 2 - Connect the 1/2-inch male fitting of the quick-disconnect side of the flexible hose to the outlet of the low pressure Propane supply. (Note: you may need to procure separately additional fittings to couple the two together).

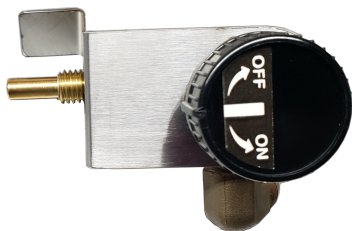


**Figure 2**

- Fig 3 - Connect the 3/8-inch flare nut of the flexible gas hose to the inlet of the valve. Wrench tighten. **\*\*DO NOT use Teflon tape or pipe thread compound on this or any flared fitting, as this creates leaks.**



- Turn on the incoming gas supply and test the assembly for gas leaks using a solution of soapy water applied to all joints. If a bubble forms, tighten fittings as needed and retest.
- Lighting the Burner:** Turn Knob to OFF. Push in on the Igniter button to start sparking of igniter. If no sparking, **STOP** - replace battery or igniter module, as appropriate. With sparking, slightly push in and turn the knob counter-clockwise to the HIGH position, then allow to heat up for three (3) minutes. During use you may turn the knob counter-clockwise between ON and LOW, as desired. To turn burner off, turn knob fully clockwise to OFF position.



**OFF Position**



**HIGH Position**



**LOW Position**

**Your Solaire Portable Infrared Grill is now suitable for operation on Low Pressure Propane Gas.**