

# SOLAIRE PORTABLE GRILL STAND ASSEMBLY INSTRUCTIONS

SOL-PST17A



Solaira "Anywhere" Grill  
SOL-IR17-B



Solaira "Everywhere" Grill  
SOL-EV17-A

12028 E. PHILADELPHIA ST. WHITTIER CALIFORNIA 90601 U.S.A. www.rasmussen.biz

5/5/2011 7:53 PM  
REV: SOLGS.03.11

## ATTENTION! READ INSTRUCTIONS CAREFULLY BEFORE ASSEMBLY

### Contents of hardware package:

- 1) 10-32 x 1/2 truss head bolts and wing nuts (5 ea.)
- 2) Front angle dress plate (qty 1)
- 3) 5/16-18 hex nuts and plate washers (4 ea.)



**IMPORTANT:** Check packing materials for assembly hardware package. If any parts are missing please call customer service at (562) 696-8718, 8:00 a.m. to 4:00 p.m. Pacific standard time.

**Step One:** On a flat surface spread left and right assemblies (Figure 1A), then swing top angle into position (Figure 1B). Identify numbered markings etched beside each screw hole on legs requiring bolts and wing nuts to complete assembly, Figure 2 at right (1 through 5).

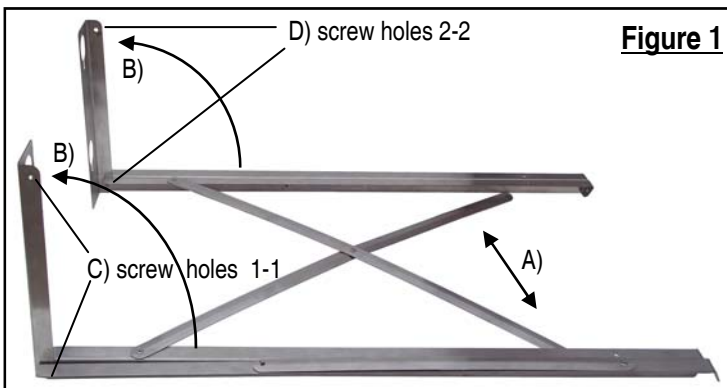


Figure 1

**Step Two:** Insert bolt and wing nut into top left leg and bolt to top angle (matching etched numbers "1" to "1") (Figure 1C) (See also Figure 2(1) and Figure 3) Nut should remain loose. Repeat for right leg Matching numbers "2" to "2". (Figure 1D) Assembly will now stand alone.

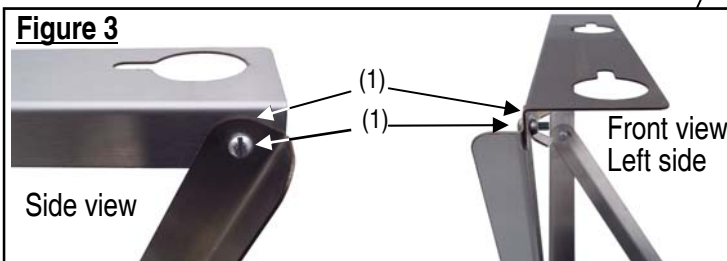
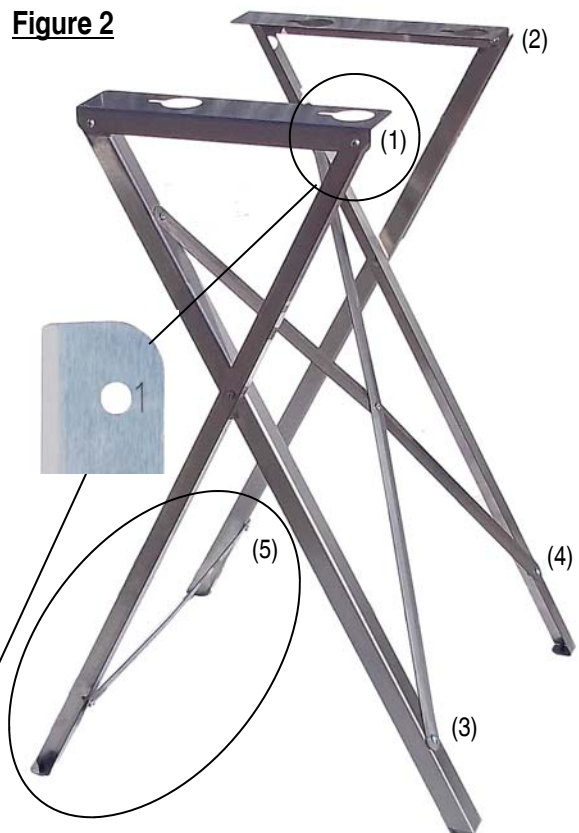


Figure 3

**Step Three:** Insert bolt and wing nut into bottom left cross brace to affix to leg (Figure 2(3)). Repeat for right leg Figure 2(4).

Figure 2



**Step Four:** Rotate rear horizontal brace to match hole on rear leg (Figure 2(5) and Figure 4(5)). Install bolt and wing nut.

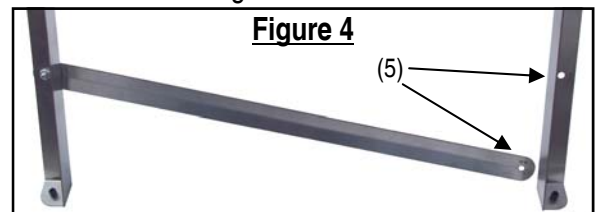
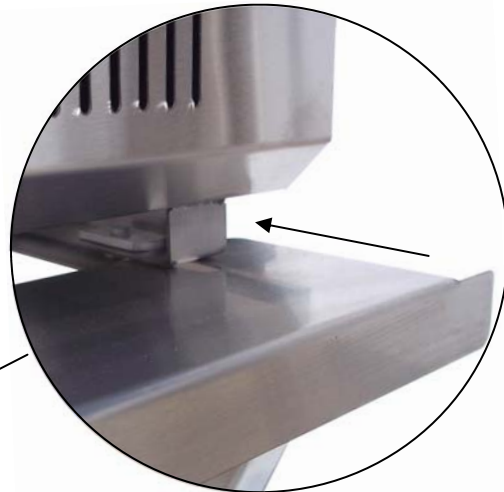
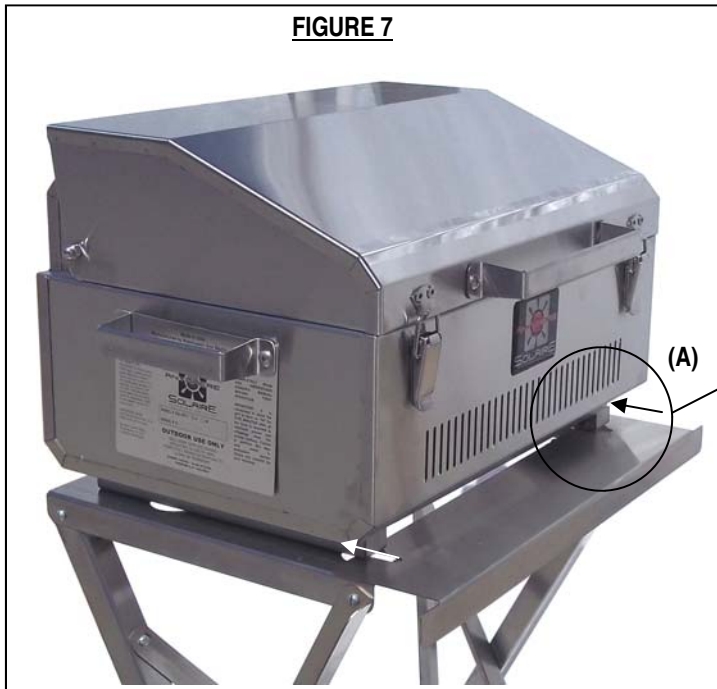
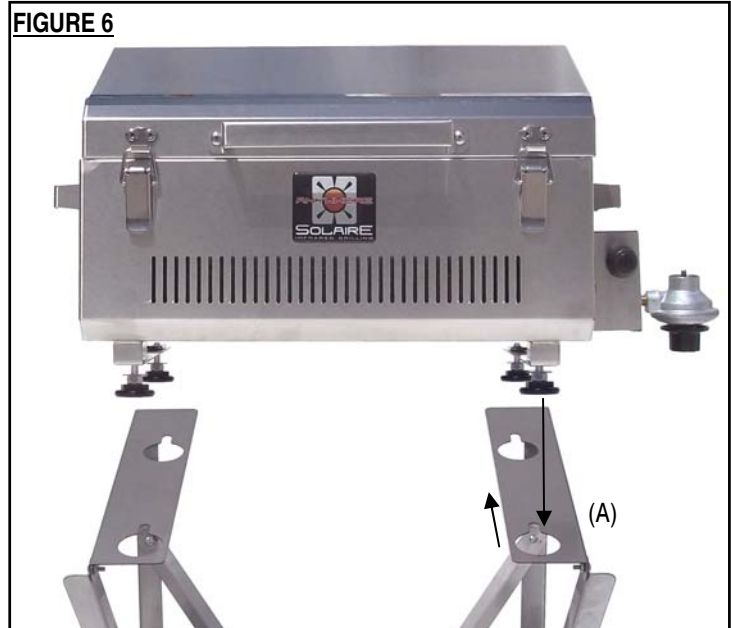
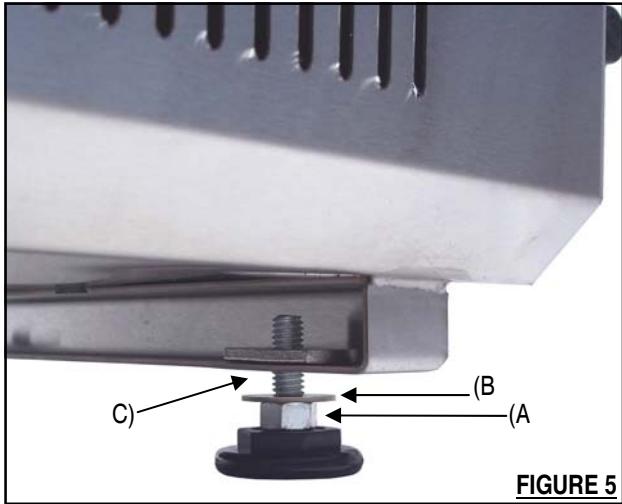


Figure 4

## **MOUNTING THE “ANYWHERE” GRILL (SOL-IR17B) TO THE STAND**

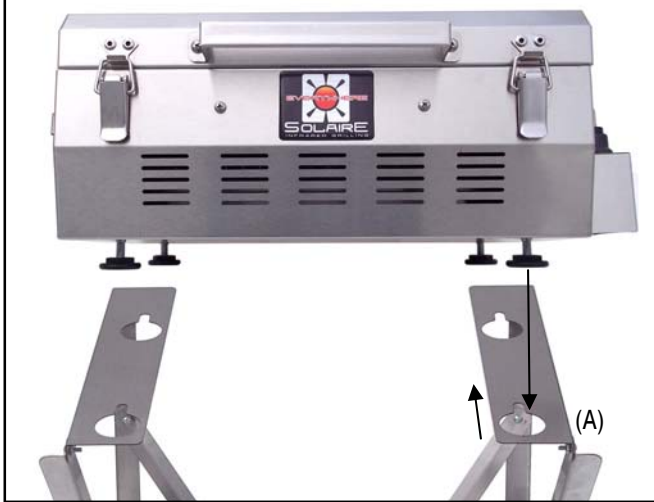
- 1) To mount the “ANYWHERE” grill to the stand, first thread the 5/16-18 nuts on adjustable feet to bottom of pads (Figure 5A). Place plate washer over nut (Figure 5B), and install feet into channels on bottom of grill (Figure 5C). Leave 3/8” space between channel and nut.
- 2) Drop the four feet of the grill into the four large holes of the top of the stand that should be facing you and gently slide grill into rear of slots (Figure 6A). Place decorative cover in place Figure 7A, tighten feet until nuts bind with bottom channel, locking grill, cover plate, and stand together (Figure 8). This completes set up of the “ANYWHERE”



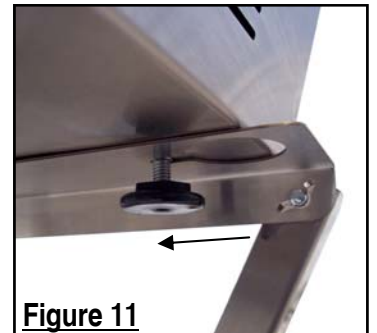
## MOUNTING THE "EVERYWHERE" GRILL TO THE STAND

- 1) Place the "EVERYWHERE" grill (SOL-EV17A) with adjustable feet screwed into base of grill onto the stand leaving about 3/8" space from top of footpad to bottom of grill (Figure 9).
- 2) Drop the four feet of the grill into the four large holes of the top of the stand that should be facing you (Figure 9A and Figure 10) and gently slide grill into rear of slots (Figure 11). This will give final alignment to grill on stand.

**Figure 9**



**Figure 10**



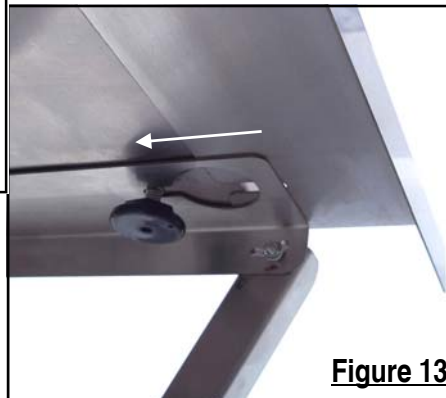
**Figure 11**

- 3) Install the decorative cover plate between the underside of the grill and top side of the stand (Figure 12A). Push the cover plate back until it touches the top front edge of the grill feet (Figure 13). Tighten all four feet to lock grill to stand (Figure 14). Check alignment. Tighten any remaining loose nuts, bolts or legs.



**Figure 12**

This completes set up of the "EVERYWHERE" grill and stand for use without accessory side shelves.



**Figure 13**

Underside of grill showing cover plate in place with leg fully tightened locking assembly together.

If for any reason you cannot read these instructions clearly please visit [www.rasbox.com](http://www.rasbox.com) where you will find color instructions that can be enlarged.

### **WARRANTY**

Rasmussen will repair or replace at our election any part that has failed due to defects in material or workmanship for a period of one year from date of purchase. Customer is responsible for all shipping and labor costs.



**Figure 14**