



Rasmussen
THE GAS LOG COMPANY

12028 E. Philadelphia St. Whittier, CA 90601 U.S.A.
(562) 696-8718 FAX (562) 698-3510
E-Mail: gaslogs@riwinc.com Web http://www.riwinc.com



AGA "YELLOW FLAME"

Assembly, Installation, and Operation Instructions for Rasmussen "YELLOW FLAME" Natural and Propane Hearth Kit Models:

- A18 Manual/Switch/Remote Control: (XF,PR,WS,LS 18)(EXF,ELS,EC 20)
(XF,WS,LS 21)-A18-M,S,R-(N,L)
- A24 Manual/Switch/Remote Control: (EXF,XF,PR,WS,ELS,LS,EC 24)-
A24-M,S,R-(N,L)
- A30 Manual/Switch/Remote Control: (EXF,XF,PR,WS,ELS,LS,EC 30)(PR 36)-
A30-M,S,R-(N,L)

**THIS BURNER IS FOR USE FOR USE IN A FULLY
FUNCTIONING WOOD BURNING FIREPLACE
WITH THE DAMPER WIDE OPEN.
THE FLUE MUST VENT ALL PRODUCTS OF COMBUSTION.**

THESE INSTRUCTIONS CONFORM TO ANSI Z21.60-1996/CGA 2.26-M96

WARNING: If the information in this manual is not followed exactly, a fire or explosion may result causing property damage, personal injury or loss of life

<p>WARNING: Improper installation, adjustment, alteration, service or maintenance can cause property damage, personal injury or loss of life. Read these instructions thoroughly before installation. For assistance or additional information, consult your gas log dealer, qualified installer, service agency or gas supplier.</p>	<p>WHAT TO DO IF YOU SMELL GAS</p> <ul style="list-style-type: none"> • Do not try to light any appliance. • Do not touch any electrical switch; do not use any phone in your building. • Immediately call your gas supplier from a neighbors phone. Follow the gas supplier's instructions. • If you cannot reach your gas supplier, call the fire department.
--	--

FOR YOUR SAFETY: Do not store or use gasoline or other flammable vapors and liquids in the vicinity of this or any other appliance.

INSTALLATION AND SERVICE: Installation and service must be performed by a qualified installer, service agency or the gas supplier.

IMPORTANT INFORMATION

1. This gas log set must be installed only in a solid-fuel burning fireplace with a working flue and constructed of non combustible material. **The flue must exhaust all products of combustion.**
2. The minimum permanent free opening of the fireplace chimney or chimney damper must be at least (*Square Inches - see **ITEM 5** below) based on a minimum chimney height of at least 10 feet. The area of the flue must not be less than 1/10 the area of the fireplace opening.
3. Solid fuels shall not be burned in a fireplace where a decorative appliance is installed.
4. The chimney damper must be fixed in a manner to maintain permanent free opening as outlined in item 2 above at all times. To accomplish this, install the damper clamp (provided) on the edge of the damper blade to prevent its closing or drill a hole or holes in the damper.

IMPORTANT INFORMATION (Continued)

5. The minimum size (in inches) of the fireplace in which the log set is to be installed must be as follows:

MODEL NO.	LOG SIZE	HEIGHT	DEPTH	WIDTH	*MINIMUM CHIMNEY OPENING
A-18	18/20/21 INCH	18	16	30	39 SQ IN
A-24	24 INCH	18	16	36	51 SQ IN
A-30	30/36 INCH	18	16	42	64 SQ IN

6. A fire place screen must be in place when the log set is in operation and, unless other provisions for combustion air are provided, the screen shall have opening(s) for introduction of combustion air. Glass doors are not certified with the Log Set. However, if used, Glass Doors must be wide open when the burner is on to allow air for safe combustion and venting.
7. The minimum inlet gas supply pressure for the purpose of input adjustment shall be 6 inches of water column on natural gas and 11 inches of water column on LP gases.
8. The maximum inlet gas supply pressure shall be 7 inches of water column on natural gas and 14 inches of water column on LP gases.
9. The installation and the provision for combustion and ventilation air must conform with the National Fuel Gas Code ANSI Z223.1 - Latest Edition.
10. The gas log set and its individual shutoff valve must be disconnected from the gas supply piping system during any pressure testing of that system at test pressures in excess of 1/2 psig (3.5 kPa). The gas log set must be isolated from the gas supply piping system by closing its individual manual shutoff valve during any pressure testing of the gas supply piping system at test pressures equal to or less than 1/2 psig (3.5 kPa).
11. The area around the gas log set must be clear and free from combustible materials, gasoline and any other flammable vapors and liquids.
12. Do not use this appliance if any part has been under water. Immediately call a qualified service technician to inspect the appliance and to replace any part of the control system and any gas control which has been under water.

WARNING: CARBON MONOXIDE POISONING MAY LEAD TO DEATH

When used without fresh air, gas log set may give off carbon monoxide, an odorless, colorless, poisonous gas.

Some people, pregnant women, persons with heart or lung disease, anemia, or under the influence of alcohol and persons at high altitudes are more affected by carbon monoxide than others.

Early signs of carbon monoxide poisoning resemble the flu: Headache, dizziness, and/or nausea. If you have these signs, the gas log may not be installed or working properly, or the chimney flue may be blocked. **GET FRESH AIR AT ONCE!** Have gas log set and chimney flue serviced before using again.

**DAMPER MUST BE WIDE OPEN WHILE BURNING
OPEN A WINDOW AN INCH OR TWO FOR
FRESH AIR WHEN USING YOUR GAS LOG
SOLID FUELS SHALL NOT BE BURNED IN A FIREPLACE
WHERE A DECORATIVE APPLIANCE IS INSTALLED.**

WARNING! CHECK FOR PROPER VENTING

A properly sized, unobstructed chimney will normally vent all fumes and products of combustion. Any odor or smoke detected inside the room is an indication that the flue is not properly removing the combustion products.

SHUT OFF THE BURNER IMMEDIATELY! THE CAUSE OF THE VENTING PROBLEM MUST BE DISCOVERED AND CORRECTED BEFORE CONTINUED USE OF THE GAS LOG SET.

Continued use with improper venting may cause damage to your fireplace, room and furnishings and could cause serious illness. If improper venting is suspected, **immediately have log set and chimney flue serviced.**

Periodically examine and clean the venting system. Once a year, a qualified agency should examine and clean the venting system of your solid fuel burning fireplace.

ASSEMBLY AND INSTALLATION

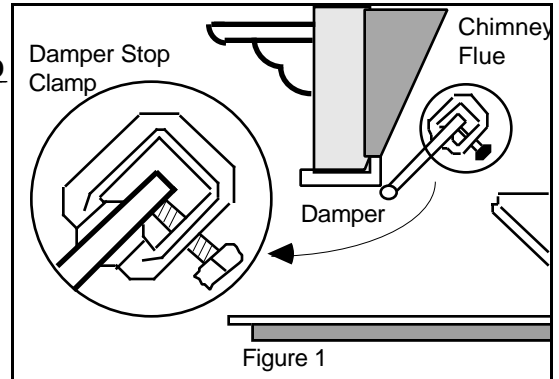
ATTENTION

THIS LOG SET IS FOR USE ONLY WITH THE GAS TYPE INDICATED ON THE RATING PLATE. READ INSTRUCTIONS CAREFULLY BEFORE ASSEMBLY

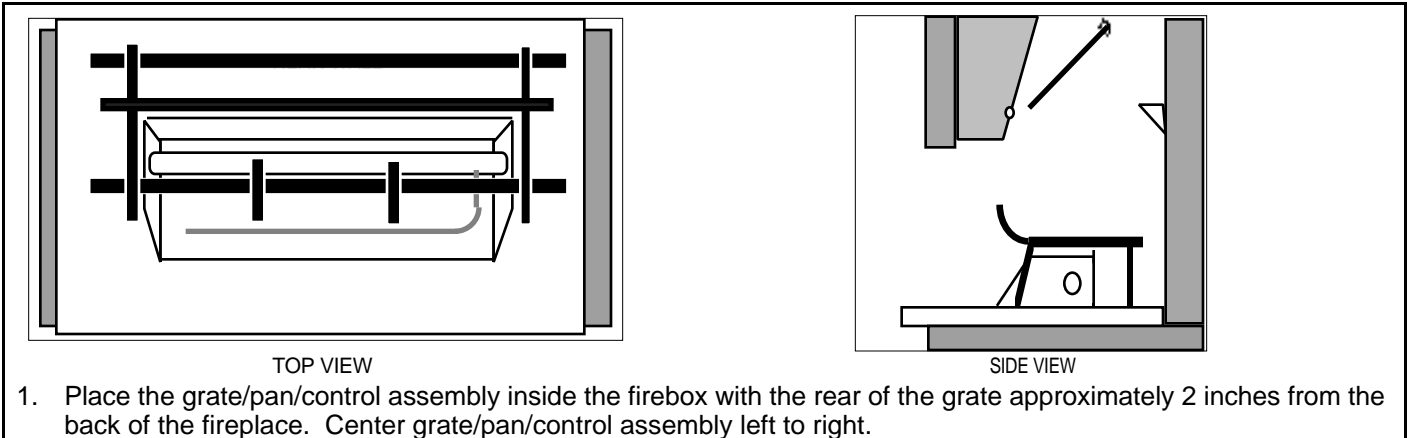
REQUIRED TOOLS AND MATERIALS: Screw Driver, Adjustable Wrench, Pipe Wrench, Pipe Sealing Compound, Matches.

PREPARATION:

1. This Gas Log set must be **INSTALLED IN A FULLY VENTED METAL OR MASONRY FIREPLACE WITH A WORKING FLUE THAT IS SAFE FOR BURNING A WOOD FIRE.** The Flue **MUST BE FREE OF ANY OBSTRUCTIONS.**
2. Turn off the gas supply to fireplace.
3. Clean fireplace floor of any ashes.
4. Attach damper clamp over the edge of the fireplace damper blade as shown (Figure 1). When installed properly, the damper clamp prevents accidental full closure of the damper. If you are unable to install the provided damper clamp, consult paragraph 4 of **IMPORTANT INFORMATION** on page 1 of these instructions.



BURNER AND GRATE POSITIONING:

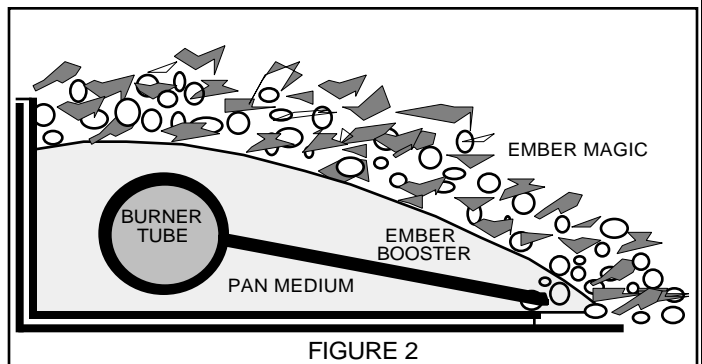


GAS SUPPLY CONNECTION:

1. Ensure that the gas supply to the fireplace enclosure is off.
2. Connect the log set to the gas supply line using the supplied aluminum connector. Use a pipe joint compound which is resistant to the action of LP gases on all pipe threaded joints. (Do not use pipe compound on flared connections.)
3. Turn on the gas valve at the supply line in the fireplace. Check connections for gas leaks by using a soapy solution. **DO NOT USE OPEN FLAME TO CHECK FOR GAS LEAKS.**

BURNER PAN MEDIUM:

1. Completely cover the **BURNER TUBE** and **EMBER BOOSTER** with the appropriate **PAN MEDIUM**. The **WHITE SAND** is for use with **Natural Gas**, the **BLACK VOLCANIC ASH** is for use with **Propane/LP Gas**. Use the **ENTIRE CONTENTS** of the bag provided with the burner. Allow medium to spill over leading edge of **PAN**.
2. Sprinkle a light covering of "**EMBER MAGIC**" over the **PAN MEDIUM**. Pull apart "**EMBER MAGIC**" fiber material to enhance the glowing ember effect. Spread the remaining "**EMBER MAGIC**" around ends of pan to enhance ember bed appearance.



3. **BLACK VOLCANIC ASH** may be sprinkled around the **OUTSIDE** of the **BURNER PAN** as a decorative effect.

LOG LOCATION: Depending on the log style and size, log sets contain from 6 to 10 individual logs and pine cones. The largest logs will be either the **rear log** or **front log** (NOTE: **EXF, ELS** and **EC** have two separate front logs which simulate a charred effect burnt between the two halves). The **large top logs** are placed on the front and rear logs with the larger top logs going on first. The following log locations must be maintained (Figures 3 and 4):

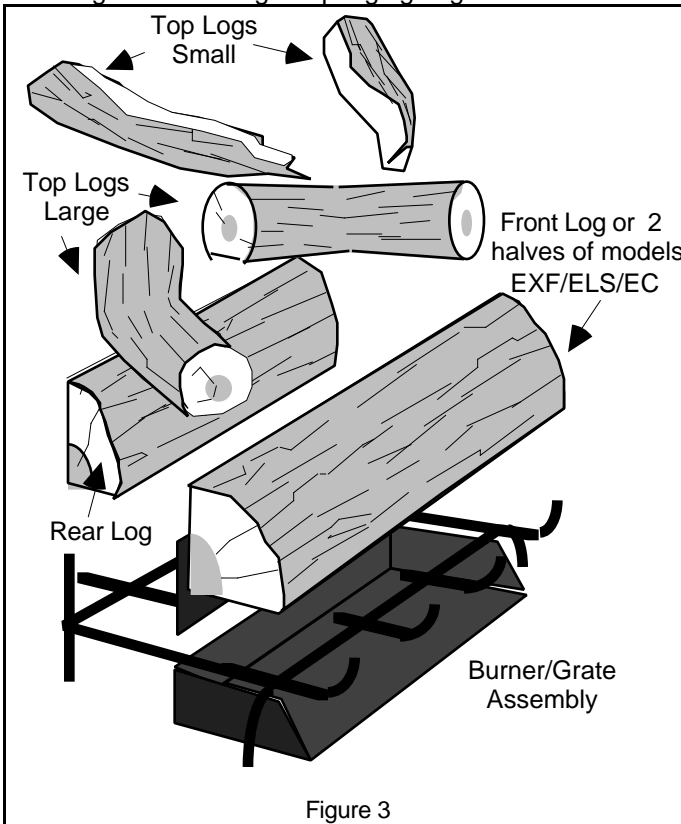


Figure 3

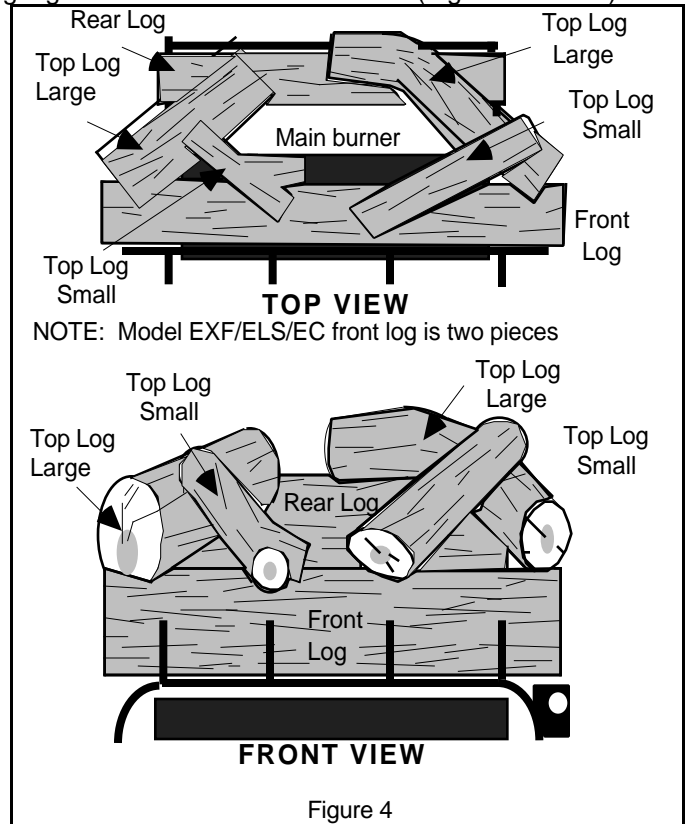


Figure 4

LIGHTING PILOT AND BURNER FLAME ADJUSTMENT

IMPORTANT! CHIMNEY DAMPER MUST BE WIDE OPEN

MANUAL VALVE LIGHTING AND OPERATING INSTRUCTIONS

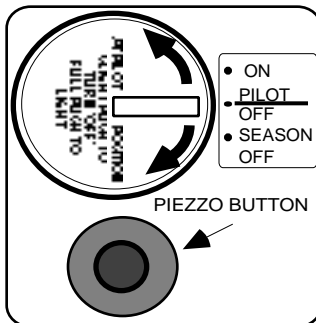


Figure 5

PILOT LIGHTING (Manual Valve) (see Figure 5)

1. Slightly push in knob and turn to "SEASON OFF"
2. Wait five minutes before lighting.
3. Slightly push in knob and turn to "PILOT/OFF"
4. Depress knob and light pilot pressing the piezzo ignitor. Continue to depress knob and hold in until pilot remains lit when knob is released (approximately 45-60 seconds)
5. Turn knob to "ON"
6. Repeat steps 1 through 5 above if the appliance fails to light or if pilot goes out.

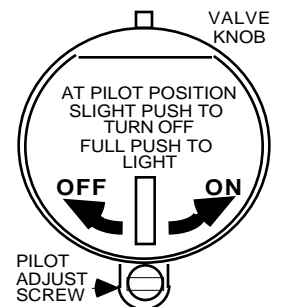


Figure 6

ADJUSTING BURNER FLAME HEIGHT (Manual Valve) (see Figure 6)

1. Adjust the valve control for desired burner flame height. Turn **VALVE KNOB** counter clockwise for more flame. Turn clockwise for less flame. (Figure 6)

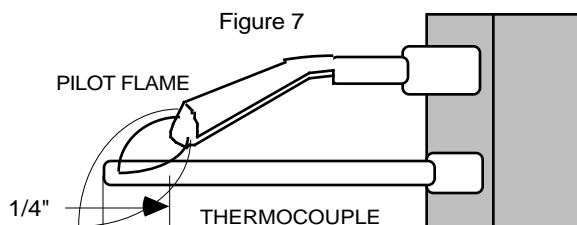


Figure 7

PILOT ADJUSTMENT (Manual Valve)

1. The **PILOT FLAME** should be steady and soft blue and surrounding approximately 1/4 inch of the end of the **THERMOCOUPLE** tip as shown at Figure 7.
2. If adjustment is necessary, use a narrow long stem screw driver to turn **PILOT ADJUST SCREW**. Turn clockwise for less flame, counter clockwise for more flame.

SHUTDOWN (Manual Valve): For complete shutdown, push in knob and turn to "SEASON OFF".

SWITCH OR REMOTE LIGHTING AND OPERATING INSTRUCTIONS:

PILOT LIGHTING (Switch or Remote)

1. Place the **Control Selector Switch** in the **OFF** position (see Figure 8). Accessory Controls must also be turned "OFF". For units equipped with Remote Control, place the **Remote Receiver Switch** in the "OFF" position (see Figure 11). For **Thermostat Controlled** models, turn temperature dial to "OFF" or the lowest temperature setting.
2. Slightly push in **Valve Knob** and turn clockwise to "OFF". see Figure 9
3. Wait at least 5 minutes to allow gas which may have accumulated around burner to escape.
4. Slightly push in **Valve Knob** and turn counter clockwise to "**PILOT**".
5. Depress and hold **Valve Knob** in until air is bled and gas flows to pilot.
6. With knob depressed, light pilot by either pressing the piezzo ignitor (Switch models) or by lighting with a match (Factory installed Remote models). Continue to depress knob and hold until pilot remains lit when knob is released. Continue to depress **Valve Knob** until pilot remains lit when knob is released (approximately 60 to 90 seconds). If Pilot does not remain lit, repeat steps 1 through 5 and allow more time after Pilot Lighting before releasing knob.
7. Turn **Valve Knob** counter clockwise to the "ON" position. Turning the **Control Selector Switch** to "**SWITCH ON**" will manually light the main burner. Turning the **Control Selector Switch** to "**REMOTE ACCESS ON**" will transfer burner ON-OFF control to the accessory controller (Remote, Thermostat, Timer, etc.)

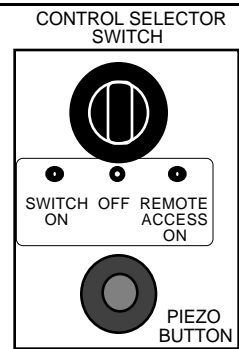


Figure 8

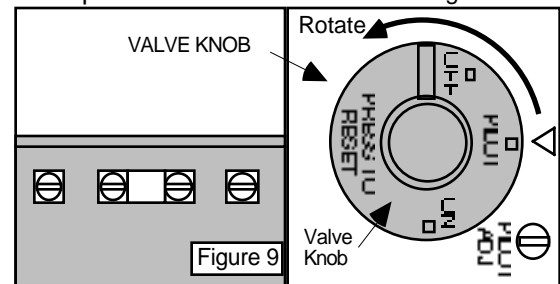


Figure 9

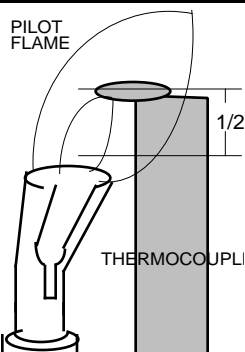


Figure 10

PILOT ADJUSTMENT (Switch, Remote or Accessory):

1. The **PILOT FLAME** should be steady and soft blue surrounding approximately 1/2 inch of the thermocouple tip (see Figure 10).
2. If pilot flame adjustment is necessary, use a narrow long stem screw driver to turn **PILOT ADJUST SCREW**. The **PILOT ADJUST SCREW** is located on the Gas Valve (see Figure 9). Turn clockwise for less flame, counter clockwise for more flame.

BURNER LIGHTING (On-Off Function at Switch):

After successful pilot lighting, allow 60-90 seconds for Thermogenerator to heat up. To turn burner on, place the **Control Selector Switch** in the "ON" position. To turn burner off (pilot remains lit) place **Control Selector Switch** in the "OFF" position.

ADJUSTING BURNER FLAME HEIGHT (Switch, Remote or Accessory)

Flame size at the burner is only adjustable at the **GAS VALVE KNOB**. Turn **GAS VALVE KNOB** counter clockwise for more flame; clockwise for less flame. See Figure 9

NOTE: The **Gas Valve Knob** has complete control of gas to pilot and burner flame height.

OPERATING ULTRASONIC REMOTE CONTROL

Before you start:

Receiver switch must be in "**REMOTE ACCESS ON**" position (Figure 11).

Both the transmitter and receiver require 9 volt batteries to operate in remote control. Ensure that the batteries are in good condition.

The blue and black receiver wire leads are for the optional sound producing device (CRACKLER).

The receiver must be protected from overheating. Never operate your gas log with the glass doors closed. Warping or melting of the plastic knob on the valve indicate that the heat capacity of the valve has been exceeded.

Operation Tips: This is a sound operated remote (unlike Infrared TV remotes which operate instantly) and requires you to **aim and hold** the transmitter for **1 to 3 seconds** to operate.

Manual Operation: (Receiver switch position ON or OFF) does not require batteries. See Figure 11

Remote Operation: Requires good batteries. If you turn the gas log on using the remote control and then turn the set off by sliding the receiver switch from REMOTE to OFF, when you replace the switch to REMOTE it will remain in the last selected remote position (in this case ON) and turn the gas log on. See Figure 11

To shutdown overnight or for any prolonged period, slide receiver switch to "OFF".

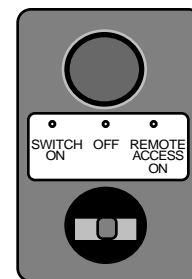


Figure 11

Manual: Switch from OFF to SWITCH ON; SWITCH ON to OFF
 Remote: Switch to REMOTE ACCESS ON. Aim, press button and hold transmitter at receiver.
 When switching from REMOTE to OFF, first turn set off using the transmitter.

OPERATING ACCESSORY CONTROL (Switch Model On-Off Function with Accessory Control-Remote Control, Wall Switch, Wall Thermostat or Wall Timer):

Place manual switch in the "REMOTE ACCESS ON" position (see Figure 8).
 Burner "ON" or "OFF" is now controlled by the status of the accessory control being used with the burner.
 Individual operating instructions for each Accessory Option are included with the individual accessory.

SWITCH CONTROL ACCESSORY OPTIONS:

- | | |
|--|------------------|
| ULTRA-SONIC WIRELESS REMOTE | (Model "F10-AB") |
| INFRARED WIRELESS REMOTE WITH THERMOSTAT | (Model "IRRC") |
| WALL SWITCH | (Model "WS-1") |
| WALL THERMOSTAT | (Model "TS-1") |
| WALL TIMER (60 MINUTE TIMER) | (Model "WT-1") |
| CRACKLER Sound Generator option for F10 AB or IRRC | (Model "CF5") |

- Accessory **REMOTE LOG HOUSE (Model "RH")** is available for use as a heat resistant "log" in which the receiver portion of Wireless remote option **F10 AB** or **IRRC** may be located.
- Accessory **CRACKLER LOG HOUSE (Model "CH")** is available for use as a heat resistant "log" in which the **CRACKLER** Sound Generator option for both the **F10 AB** and **IRRC** wireless remotes may be located.

SWITCH ACCESSORY WIRING :

NOTE: Wire length for Thermostat or Remote or controls should not exceed 20 feet.

Wiring from the Accessory Control (Remote, Thermostat or Switch) is connected to the two **Outside Terminals** of the **Control Selector Switch** as shown in Figure 12.

Thermostat wiring should be 20 AWG Type CL2.

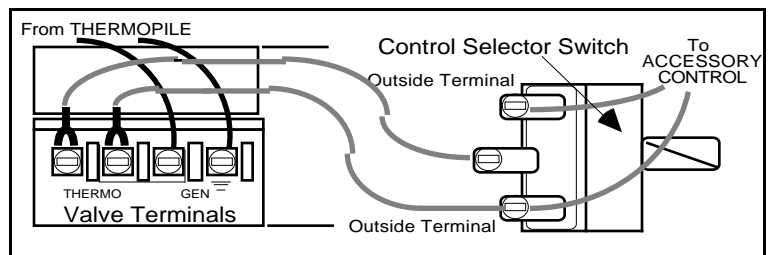


Figure 12

COMPLETE SHUTDOWN INCLUDING PILOT (Switch, Remote or Accessory):

- SWITCH or ACCESSORY.** Place **Control Selector Switch** in "OFF". Turn "OFF" all **Accessory Switches** (see Figure 8).
- FACTORY INSTALLED REMOTE.** Place **Receiver Switch** in the "OFF" position (see Figure 11). Slightly push and turn **Gas Valve Knob** to "OFF". The **Gas Valve Knob** cannot be turned to "OFF" without first depressing dial in "PILOT" position and then rotating clockwise to "OFF" (see Figure 9).

ATTENTION: Your Gas Log set should be operated for the first 2-3 hours at a low flame setting to allow tempering of the refractory logs.

MAINTENANCE:

1. Very little maintenance is required. The carbon build-up that results from the gas flame is natural and adds to the realistic appearance of the set. If carbon becomes excessive, spray logs with water while logs are hot. Discoloration from heat is normal.
2. Periodically check the pilot burner and main burner flames. The pilot burner should be free of lint and dirt for best performance. Periodically use a brush with stiff bristles to clean pilot. The main burner should produce a relatively even flame from side to side. If not, the sand-granules or volcanic ash may have become packed and can be loosened by working a wire or knife blade under the sand or by refilling the pan as described in the section on **ASSEMBLY AND INSTALLATION**.
3. Keep area around log set free and clear from debris.

IMPORTANT: THIS BURNER IS FOR USE FOR USE IN A FULLY FUNCTIONING WOOD BURNING FIREPLACE WITH THE DAMPER WIDE OPEN. THE FLUE MUST VENT ALL PRODUCTS OF COMBUSTION.

From time to time, examine and clean the venting system. Once a year, a qualified agency must examine and clean the venting system of the solid-fuel burning fireplace.

HOW TO ORDER PARTS:

Parts can be ordered through the supplier from whom you purchased your YELLOW FLAME HEARTH KIT. When ordering parts, always specify (From information available on name plate attached to grate) the following:

1. Model number of the BURNER.
2. Serial number of the BURNER.
3. Type of gas (natural or propane Gas).
4. The name of the part and part number from parts list.

◇ **Save these instructions** ◇

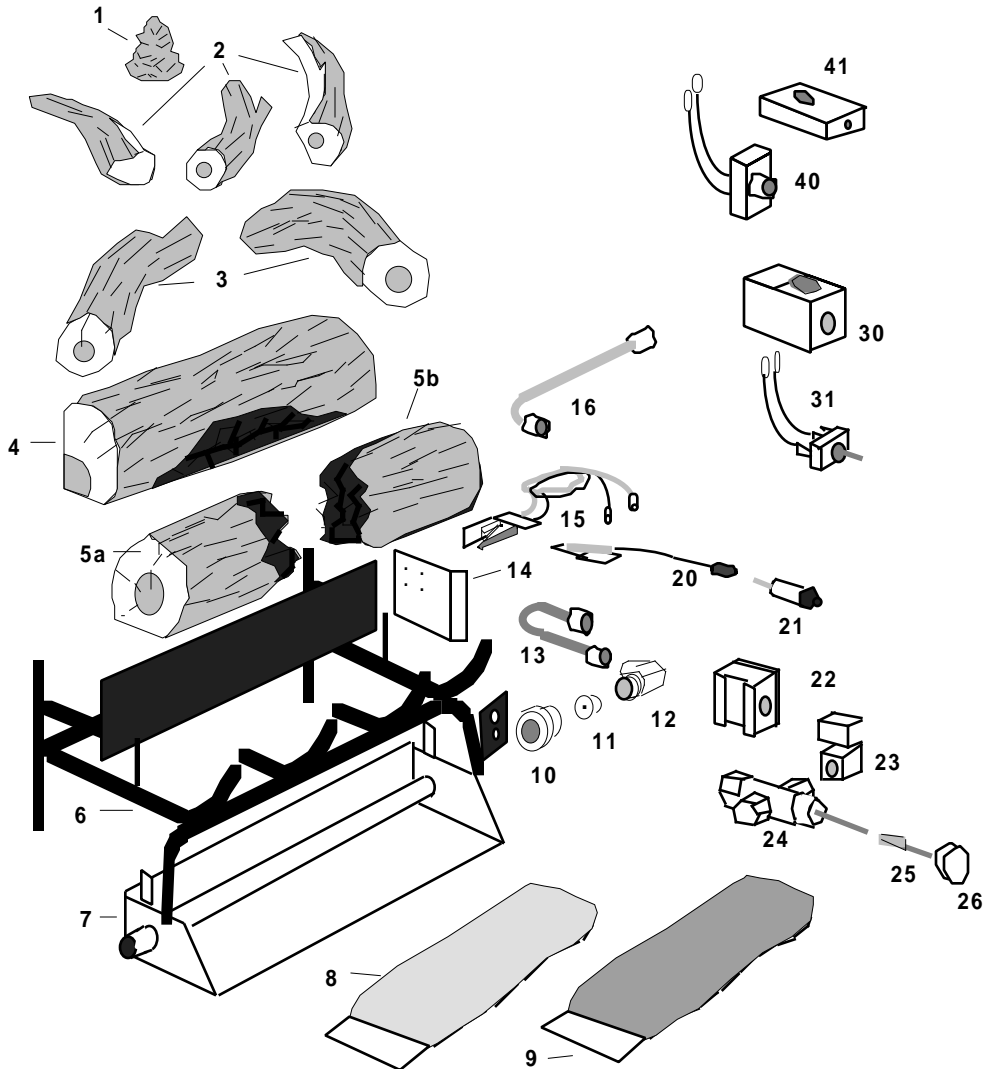
Manufactured By: RASMUSSEN IRON WORKS, INC.
12028 E. Philadelphia Street
Whittier, California 90601

CONSUMER RECORD CARD

Fill in blanks below for your permanent record.

DATE PURCHASED _____
MODEL NO. _____
DATE INSTALLED _____
SERIAL NO. _____
INSTALLED BY: _____
GAS TYPE: _____
DEALER: _____

PARTS LIST:



- | | | | |
|---------------------------------|---------------------------------|--------------------------|--------------------------------|
| 1. Pine Cone | 7. Burner | 15. Pilot-Thermocouple | 25. Valve Stem Extender |
| 2. Top Logs (small) | 8. White Sand | 16. Gas Supply Connector | 26. Valve Knob |
| 3. Top Logs (medium) | 9. Black Volcanic Ash | MANUAL CONTROL | ACCESSORY CONTROL |
| 4. Rear Log | 10. Reducing Coupling/Air Mixer | 20. Piezo Sparker | 30. Millivolt Valve |
| 5. Front Log or with EXF/ELS/EC | 11. Orifice | 21. Piezo | 31. Switch |
| 5a. Front Log (Right) | 12. Orifice Holder | 22. Appliance Regulator | REMOTE CONTROL (Option) |
| 5b. Front Log (Left) | 13. Burner Connector | 23. Connector Fittings | 40. Remote Receiver |
| 6. Grate | 14. Heat Shield | 24. Manual Valve | 41. Remote Transmitter |

LIMITED LIFETIME CONSUMER PRODUCT WARRANTY

The following warranty has been drafted to comply with the MAGNUSON-MOSS WARRANTY ACT applicable to products manufactured after July 4, 1975. It replaces and supersedes any warranty in this package or in any printed literature.

LIMITED WARRANTY:

RASMUSSEN IRON WORKS INC, 12028 E. Philadelphia Street, Whittier California, U.S.A., Warrants this Gas Log Set and accessories against defects in materials and workmanship, and suitable for a particular purpose, for a period of:

- (1) LOG CASTING - All logs are guaranteed against burnout in the original installation for the lifetime of the initial purchaser.
- (2) BURNERS - 2 years from date of purchase.
- (3) SAFETY CONTROLS - Pilots and safety controls are covered by warranty of the original manufacturer only.

THIS WARRANTY IS FOR THE BENEFIT OF THE ORIGINAL PURCHASER.

WARRANTY ADJUSTMENT:

- (1) RASMUSSEN agrees to repair or furnish a replacement for, but not remove or install any product or component which proves defective within the above warranty and appropriate time periods stated.
- (2) BUYER shall notify RASMUSSEN of any defect within this warranty no later than thirty (30) days after a defect is discovered.
- (3) No product will be accepted for return or replacement without written authorization of RASMUSSEN. Before returning merchandise, write to RASMUSSEN giving full details of the complaint and a copy of sales receipt or other evidence of purchase date. Merchandise returned without proof of purchase date will be serviced out-of-warranty at our prevailing service and parts rates. If merchandise was damaged in transit, file claim immediately with the carrier. Products returned must be addressed as follows:

RASMUSSEN IRON WORKS INC
12028 E. PHILADELPHIA STREET
WHITTIER CALIFORNIA 90601

Shipping charges must be pre-paid by the buyer.
REPAIR OR REPLACEMENT UNDER THIS WARRANTY WILL BE SHIPPED FREIGHT COLLECT.

EXCLUSIONS FROM WARRANTY:

- (1) The foregoing warranty is limited solely as set forth herein and applies only for the periods designated above.
- (2) RASMUSSEN shall not be liable for any loss, damage, incidental or consequential damages of any kind, whether based upon warranty, contract, or negligence, arising in connection with the sale, use, or repair of the product. Some states do not allow the exclusion or limitation of incidental or consequential damages, so the above limitation or exclusion may not apply to you.
- (3) The maximum liability of RASMUSSEN in connection with this limited warranty shall not in any case exceed the contract price paid for the product claimed to be defective or unsuitable.
- (4) This warranty does not extend to any product manufactured by RASMUSSEN which has been subjected to misuse, neglect, accident, improper installation, or use in violation of instructions furnished by RASMUSSEN.
- (5) This warranty does not extend to or apply to any unit which has been repaired or altered at any place other than RASMUSSEN IRON WORKS INC factory, or by persons not expressly approved by RASMUSSEN.
- (6) Components manufactured by any supplier other than RASMUSSEN shall bear only that warranty made by the manufacturer of that product.
- (7) Freight damage, cracking from thermal shock, and color changes occur from causes beyond manufacturer's control and are not covered by any warranty.

THIS WARRANTY GIVES YOU SPECIFIC LEGAL RIGHTS, AND YOU MAY ALSO HAVE OTHER RIGHTS WHICH VARY FROM STATE TO STATE.

RASMUSSEN IRON WORKS, INC. shall be held harmless from any and all claims by the buyer as a result of injury or damage to an ultimate user or other person caused by the product sold herein by the seller to the buyer, whether the injury or damage results from the assembly, installation, operation, shipment, storage or manufacture of this product. RASMUSSEN IRON WORKS, INC. makes no warranties, expressed or implied, other than those expressly stated herein.

- CUSTOMER RESPONSIBILITY -

Your Gas Log is designed to burn with a natural smoky yellow flame that produces carbon soot. Like a wood fire, burning a Gas Log with the flue blocked or closed will cause fumes and smoke to remain in the room and cause health hazards. **DAMPER MUST BE FULLY OPEN WHEN BURNING A GAS LOG SET.** Never burn wood with your gas log set as this will reduce the life of your gas Log Set and will void any warranty.