

LC Multi-Burner

DECORATIVE VENTED GAS LOG SET (Match Lit)
General Assembly, Installation, and Operation Instructions



Report # 10-38



Rasmussen[®]
GAS LOGS & GRILLS

12028 E. PHILADELPHIA ST.
WHITTIER, CA CALIFORNIA 90601 U.S.A
www.rasmussen.biz

Mass Approval Code:
G1-0416-463

ATTENTION! READ INSTRUCTIONS CAREFULLY BEFORE ASSEMBLY OR USE

Models; LC18, 24, 30, 36; - SS (Stainless Steel) Match Lit -N (Natural Gas)

- 18" Manzanita, LoneStar, CrossFire, Prestige Oak, Birch, Frosted Oak.
- 20"/21" Evening Prestige, Evening Desire, Evening CrossFire, Evening Campfire, Evening LoneStar and TimberFire
- 24" Frosted Oak, Birch, Prestige Oak, CrossFire, LoneStar, Manzanita, TimberFire, Evening Lone Star, Evening Prestige, Evening Desire, Evening CrossFire, Evening Campfire.
- 30" Frosted Oak, Birch, Prestige Oak, CrossFire, LoneStar, Manzanita, TimberFire, Evening Lone Star, Evening Prestige, Evening Desire, Evening CrossFire, Evening Campfire.

WARNING: If the information in this manual is not followed exactly, a fire or explosion may result causing property damage, personal injury or loss of life.

- Do not store or use gasoline or other flammable vapors and liquids in the vicinity of this or any other appliance.
- **WHAT TO DO IF YOU SMELL GAS**
 - Do not try to light any appliance.
 - Do not touch any electrical switch; do not use any phone in your building.
 - Immediately call your gas supplier from a neighbor's phone. Follow the gas supplier's instructions.
 - If you cannot reach your gas supplier, call the fire department.
- Installation and service must be performed by a qualified installer, service agency or the gas supplier.

INSTALLER: Leave this manual with the appliance.
CONSUMER: Retain this manual for future reference.

Improper installation, alteration, service or maintenance can cause property damage, personal injury or loss of life. Read these instructions thoroughly before installation. For assistance or additional information, consult your gas log dealer, qualified installer, service agency or gas supplier.

This appliance may be installed in an aftermarket, permanently located, manufactured (mobile) home, where not prohibited by local codes.

This appliance is only for use with type of gas indicated on the rating plate.

Installation must conform with local codes or, in the absence of local codes, with the National Fuel Gas Code, ANSI Z223.1/NFPA 54.

In the Commonwealth of Massachusetts:

- Installation must be performed by a licensed plumber or gas fitter.
- The chimney flue damper, when used with gas logs, will be welded open or completely removed.
- A CO detector shall be installed in the room where the appliance is installed.

WARNING

This is a vented gas appliance for use only in a solid-fuel burning fireplace constructed on non-combustible material with a fully functional chimney flue which must vent all of the products of combustion.

WHEN OPERATING, THE CHIMNEY DAMPER MUST BE FULLY OPEN

MINIMUM FIREPLACE FLUE REQUIREMENTS

The minimum permanent free opening of the fireplace chimney or chimney damper must be at least the minimum chimney area shown on the chart on page 5, based on a minimum chimney height of at least 8 feet. The area of the flue must not be less than 1/10 the area of the fireplace opening. **The flue must exhaust all products of combustion.**

WARNING: Match Lit burners is not designed for use with propane/LP gas. A safety pilot must be installed on all units designed or converted to burn propane/LP gas.

The installation and the provisions for combustion and ventilation air must conform with *The National Fuel Gas Code ANSI Z223.1 / NFPA54*, or *The CSA B149.1, Natural Gas and Propane Installation Code*, latest edition. Compliant with the Department of Building and Safety, Rule of General Application No. RGA2-72 and Z21.84, "Stanard for Decorative Log Sets for installation in Wood Burning Fireplace" Decorative Gas Appliances for Installation in Solid-Fuel Burning fireplaces.

IMPORTANT INFORMATION

- **Due to high temperatures**, the appliance should be located out of traffic and away from furniture and draperies.
- **Children and adults** should be alerted to the hazard of high surface temperatures and should stay away to avoid burns or clothing ignition.
- **Young children** should be carefully supervised when they are in the same room with the appliance.
- **Do not place** clothing or other flammable material on or near the appliance.
- **Any safety screen** or guard removed for servicing an appliance must be replaced prior to operating the appliance.
- **Installation and repair** should be done by a qualified service person. The appliance should be inspected before use and at least annually by a professional service person. More frequent cleaning may be required due to excessive lint from carpeting, bedding material etc. It is imperative that control compartments, burners and circulating air passageways of the appliance be kept clean.
- **WARNING:** Any change to this appliance or its controls can be dangerous.
- **WARNING:** Failure to keep the primary air opening(s) of the burner clean may result in sooting and property damage.
- **Keep appliance area** clear and free from combustible materials, gasoline and other flammable vapors and liquids.
- **DO NOT** use this room appliance if any part has been under water. Immediately call a qualified service technician to inspect the appliance and to replace any part of the control system and any gas control that has been under water.
- **WARNING:** Before installing in a solid-fuel burning fireplace, the chimney flue and firebox must be cleaned of soot, creosote, ashes and loose paint by a qualified chimney cleaner.
- **WARNING:** Do not allow fans to blow directly into the fireplace. Avoid any drafts that alter burner flame patterns.
- **WARNING:** Do not use a blower insert, heat exchanger insert or any other accessory not approved for use with this heater.
- **A fireplace screen** must be in place when the appliance is operating and, unless other provisions for combustion air are provided, the screen shall have an opening(s) for introduction of combustion air.
- **Solid fuels** shall not be burned in a fireplace where this appliance is installed.
- **WARNING:** Glass doors must be fully opened when appliance is in operation to allow for safe combustion, cooling of components and venting.
- **Any outside air ducts** and/or ash dumps in the fireplace shall be permanently closed at the time of appliance installation.
- This appliance may be used in sleeping quarters and bathrooms if used in a vented application, subject to local codes.
- **Avoid contact** with the objects, chassis or another part which may be hot during operation.

Your gas log set is assembled at the factory to be installed in a fireplace plumbed with the gas supply on the right side (facing unit). **DO NOT** convert to the left side of burner. Instead, run a connecting pipe or aluminum flex connector (per local codes) behind burner along the back wall of fireplace bringing your gas line to the right side.

CARBON MONOXIDE POISONING MAY LEAD TO DEATH

When used without fresh air, decorative gas appliances may give off carbon monoxide, an odorless, colorless, poisonous gas. Some people, pregnant women, persons with heart or lung disease, anemia, persons under the influence of alcohol and persons who live at high altitudes are more affected by carbon monoxide than others.

Early signs of carbon monoxide poisoning resemble the flu and include; headache, dizziness and/or nausea. If you have these symptoms, the burner or the appliance may not be installed or working properly, or the flue may be blocked. **GET FRESH AIR AT ONCE!** Verify that the gas log set is properly arranged and have the heater and chimney flue serviced before using again.

WARNING

During manufacturing, assembly and packaging, various components of this appliance are exposed to certain oils or films. These are not harmful but may produce annoying smoke and smells as they are burned off during the initial operation of the appliance, possibly causing headaches, eye or lung irritation. This is a normal occurrence and only temporary. The initial break-in operation should last 2-3 hours with the burner at the highest setting. Provide maximum ventilation by opening windows, doors and the chimney flue (if using a vented model) to allow odors to dissipate. The only odor remaining after this initial break-in period will be the normal odors associated with the combustion of Natural or Propane Gas and/or related to your indoor environment (see page 11).

WARNING—Proposition 65 Statement

If not installed, operated and maintained in accordance with these instructions, this product could expose you to substances in fuel or from fuel combustion which are known to the State of California to cause cancer, birth defects or other reproductive harm.

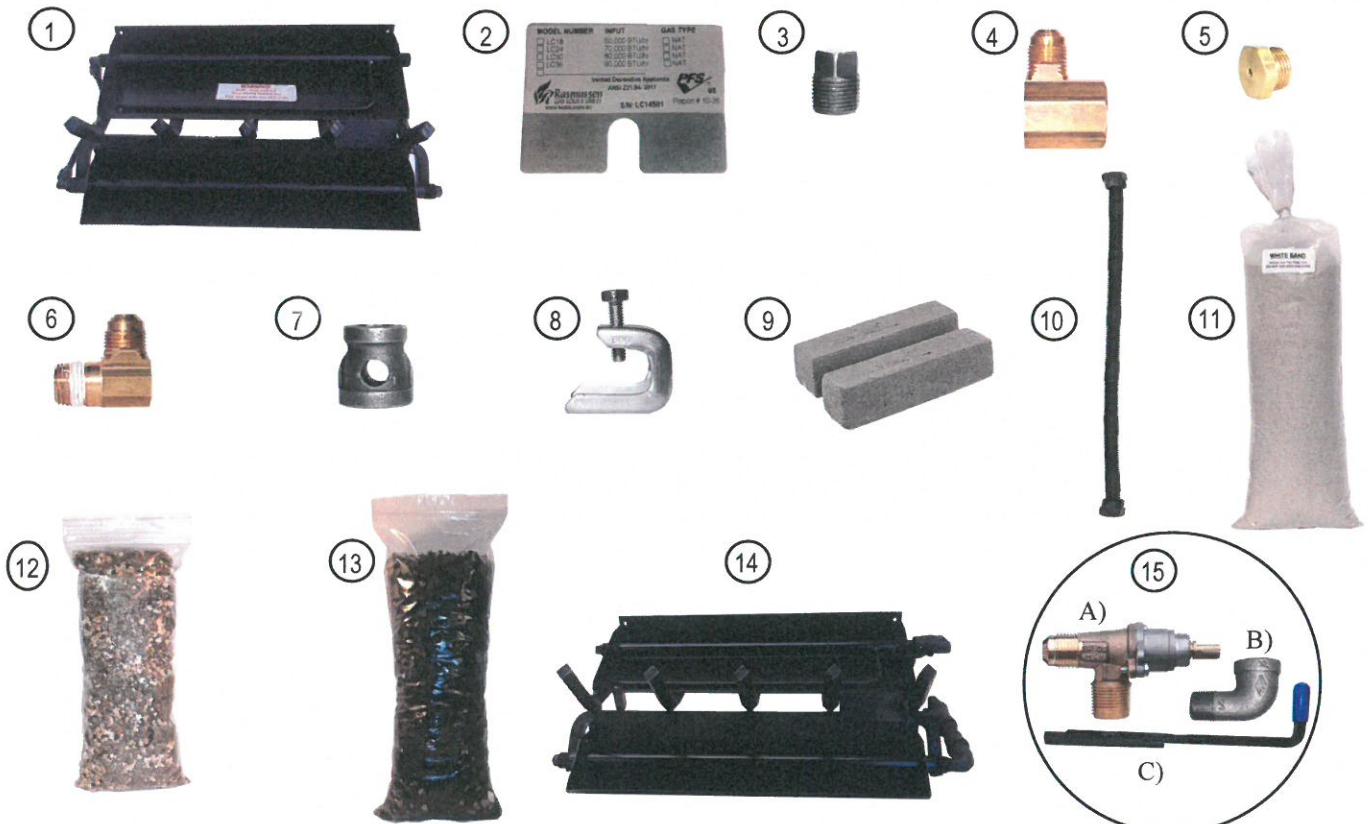
PARTS LIST

REQUIRED TOOLS AND MATERIALS

Adjustable Wrench and Pipe Wrench. Pipe Sealing compound is **required** if fittings not already pre-threaded with Teflon tape to prevent gas leaks. **DO NOT** use Teflon tape or pipe compound on other tapered fittings.

1. Burner Grate Assembly (LC18,24,30 and 36-N)
2. Rating/I.D. Plate
3. Burner Plug (445686-U)
4. 3/8" x 1/2" FIP Flared Brass Fitting (A1)
5. Orifice Spud
6. Orifice Holder (Internally Tapped 3/8" x 3/8" Flared MIP Fitting) (A2T)
7. Air Mixer for **Propane** Gas burners (MA2)
8. Damper Clamp (DC1)
9. Log Lifters (LL)
10. Flex Connector (SSCB-14)
11. White Silica Sand (Natural Gas burners)
12. Ember Magic (EMX1)
13. Black Volcanic Ash (Propane burners)
14. Propane Burner / Grate Assembly (LC18,24,30and36-P; requires a Safety Pilot Kit)
15. Optional V17B Manual Valve Kit
 - A) 3/8" MIP x 3/8" MIP Valve (V17)
 - B) 3/8" x 3/8" Street Elbow
 - C) 9" long Key (K5)

The construction of your LC burner may differ slightly depending on whether it is Natural Gas or Propane and on which type of safety control mechanism and valve is used.



Model #	Bottom / Front Burner	Top / Rear	Model #	Bottom / Front Burner	Top / Rear	BTUs
LC18-N	N/A	36	LC18-P	59	53	50,000
LC24-N	N/A	28	LC24-P	55	49	70,000
LC30-N	N/A	25	LC30-P	53	45	80,000
LC36-N	18	20	LC36-P	51	41	90,000

Optional V17B Manual Valve as-

WARNING: Failure to position the parts in accordance with diagram in this manual or failure to use only parts specifically approved with this appliance may result in property damage or property injury.

GENERAL INSTALLATION INSTRUCTIONS

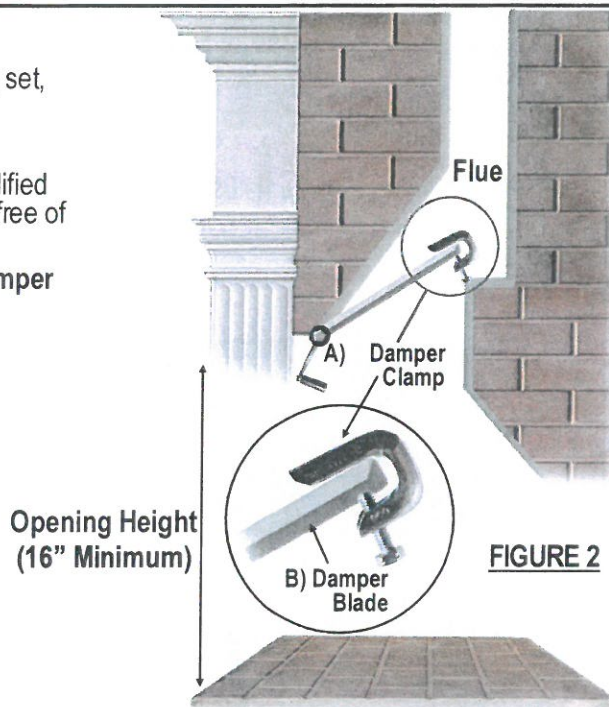
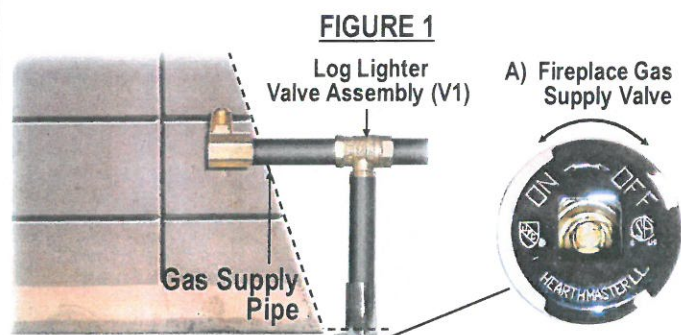
WARNING: Failure to position the parts in accordance with these diagrams or failure to use only parts specifically approved with this appliance may result in property damage or personal injury.

The appliance and its appliance main gas valve must be disconnected from the gas supply piping system during any pressure testing of that system at test pressures in excess of 1/2 psi. The appliance must be isolated from the gas piping system by closing its equipment shutoff valve during any pressure testing of the gas supply piping system at test pressures equal to or less than 1/2 psi.

Natural Gas Operating Pressures: Minimum inlet gas supply pressure = 6 inches of water column. Maximum inlet gas supply pressure is 7 inches of water column. **Propane Gas Operating Pressures:** Minimum inlet gas supply pressure = 11 inches of water column. The maximum inlet gas supply pressure is 14 inches of water column.

STEP ONE PREPARATION:

1. Verify that the Valve Assembly is correctly matched to the log set, burner, and gas supply.
2. Turn off **Fireplace Gas Supply** (Figure 1A).
3. Thoroughly clean fireplace floor of any ashes and have a qualified chimney cleaner insure that the chimney flue and firebox are free of soot, creosote, and loose paint.
4. Attach **Damper Clamp** (Figure 2A) over edge of fireplace **Damper Blade** (Figure 2B) to prevent damper from fully closing accidentally. If unable to attach damper clamp, drill a hole (or holes) in the damper or remove it completely.



The gas supply must be regulated prior to input into the appliance. Never connect this appliance directly to an unregulated propane tank. Do not conduct line pressure testing in excess of 1/2 psig (3.5 kPa) without first isolating the appliance.

IMPORTANT:

THE CHIMNEY DAMPER MUST BE WIDE OPEN AND FIXED IN A MANNER TO MAINTAIN A PERMANENT FREE OPENING AT ALL TIMES AS OUTLINED ABOVE. THE AREA OF THE FLUE MUST BE NOT LESS THAN 1/10 THE AREA OF THE FIREPLACE OPENING. THIS GAS LOG SET MUST BE INSTALLED IN A FULLY VENTED METAL OR MASONRY FIREPLACE WITH A WORKING FLUE THAT IS SAFE FOR BURNING A WOOD FIRE. THE FLUE MUST BE FREE OF ANY OBSTRUCTIONS AND MUST EXHAUST ALL PRODUCTS OF COMBUSTION. DAMPER AND GLASS DOORS MUST BE FULLY OPEN BEFORE LIGHTING OR BURNING FOR PROPER VENTILATION AND TO PREVENT HEAT DAMAGE TO THE VALVE.

WARNING! CHECK FOR PROPER VENTING

A properly sized, unobstructed chimney will normally vent all products of combustion. Any odor or smoke detected inside the room is an indication that the flue is not functioning properly.

SHUT OFF THE BURNER IMMEDIATELY! THE CAUSE OF THE VENTING PROBLEM MUST BE DISCOVERED AND CORRECTED BEFORE CONTINUED USE OF THE GAS LOG SET.

Continued use with improper venting may cause damage to your fireplace, room furnishings and could cause serious illness. **IF IMPROPER VENTING IS SUSPECTED, IMMEDIATELY HAVE LOG SET AND CHIMNEY FLUE SERVICED.**

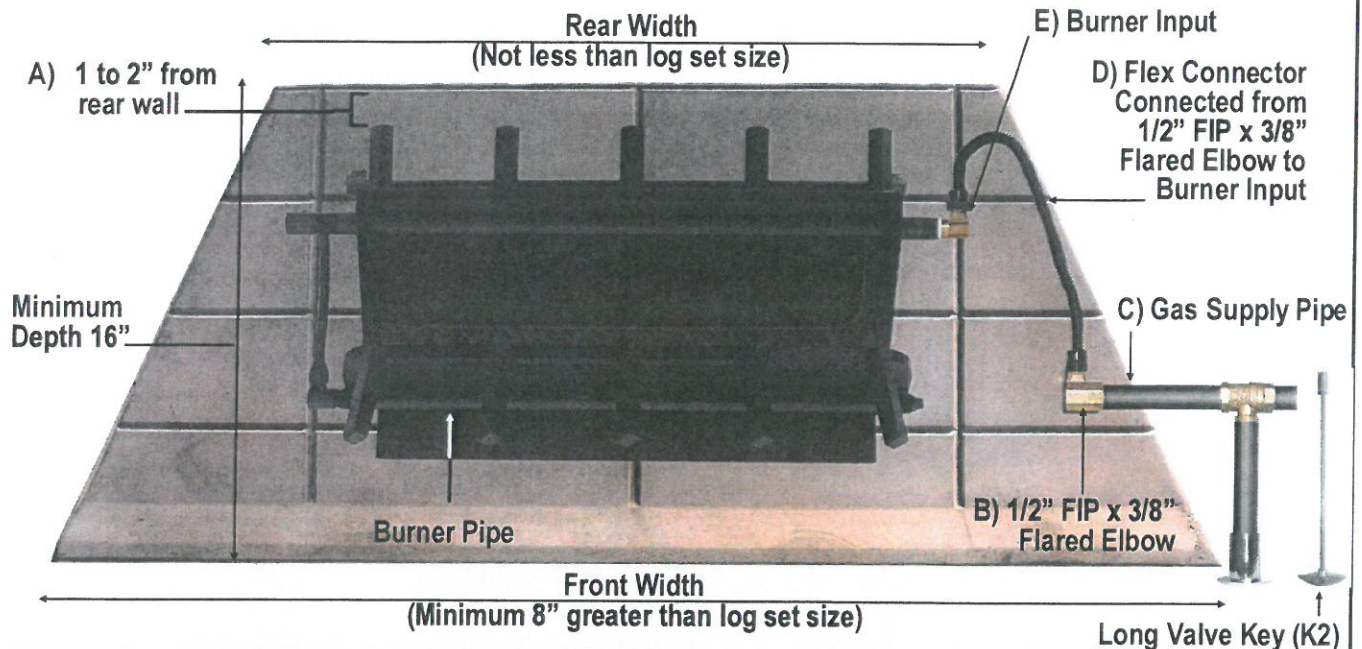
The installation and the provisions for combustion and ventilation air must conform with *The National Fuel Gas Code ANSI Z223.1 / NFPA54, or The CSA B149.1, Natural Gas and Propane Installation Code*, latest edition.

LC MULTIBURNER INSTALLATION AND GAS SUPPLY CONNECTION

STEP TWO: BURNER INSTALLATION AND GAS SUPPLY CONNECTION

1. Place **Burner-Grate Assembly** inside the firebox, centered from left to right, within 1" to 2" of rear wall (Figure 3A).
2. Insure that the Gas Supply to the Fireplace is turned off. Verify correct gas type and proper gas pressures.
3. Thread **1/2" FIP x 3/8" Flared Elbow** (Figure 3B) onto the **Gas Supply Pipe** (Figure 3C) and wrench tighten.
4. Thread one end of the supplied **Flex Connector** (Figure 3D) to the **Burner Input** (Figure 3E), then connect the other end to the 1/2" FIP x 3/8" Flared Elbow attached to the Gas Supply Pipe. If Flex Connector is bent into too small a radius it may kink or break causing air flow noise and/or gas leaks.

FIGURE 3



WARNING: Failure to position the parts in accordance with these diagrams or failure to use only parts specifically approved with this heater may result in property damage or personal injury.

1. The installation and the provisions for combustion and ventilation air must conform with the National Fuel Gas Code ANSI Z223.1 Latest Edition or the CSA B149.1 National Gas and Propane Installation Guide. 2. A manufacture home (USA only) or mobile home OEM installation must conform with the (U.S.) Manufacture Home Construction and Safety Standard, Title 24 CFR, part 3280, or, when such a standard is not applicable, the standard is not applicable, the Standard for Fire Safety Criteria for Manufacture Home Installation Sites and Communities, ANSI/NFPA 501, the U.S., or the Mobile Homes Standard, CAN/CSA-Z240MH series in Canada.

MINIMUM FIREPLACE DIMENSIONS AND FLUE REQUIREMENTS

The minimum permanent free opening of the fireplace chimney or chimney damper must be at least the minimum Chimney Area shown below, based on a minimum chimney height of at least 8 feet. The area of the flue must not be less than 1/10 the area of the fireplace opening. **The flue must exhaust all products of combustion.**

The chimney damper must be fixed in a manner to maintain permanent free opening as outlined on the previous page (Figure 2) at all times. To accomplish this, install the damper clamp (provided) on the edge of the damper blade to prevent its closing, drill a hole or holes in the damper, or remove damper completely. The minimum size of the fireplace in which the log set is to be installed must be as follows:

Model Number	Log Set Size	Opening Height	Firebox Depth	Front Firebox Width	Rear Firebox Width	Min. Chimney Diameter	Min. Permanent Chimney Opening	Natural Gas Btu's/Hour	Propane Gas Btus
LC18-	18/20"	16"	16"	26	20"	7"	39 Sq inch	50,000	50,000
LC24-	24"	16"	16"	32	24"	7"	51 Sq inch	70,000	70,000
LC30-	30"	16"	16"	38	30"	8"	64 Sq inch	80,000	80,000
LC36-	36"	16"	16"	44	36"	10"	115 Sq inch	90,000	90,000

STANDARD MATCH LIGHTED (NATURAL GAS MODELS ONLY)

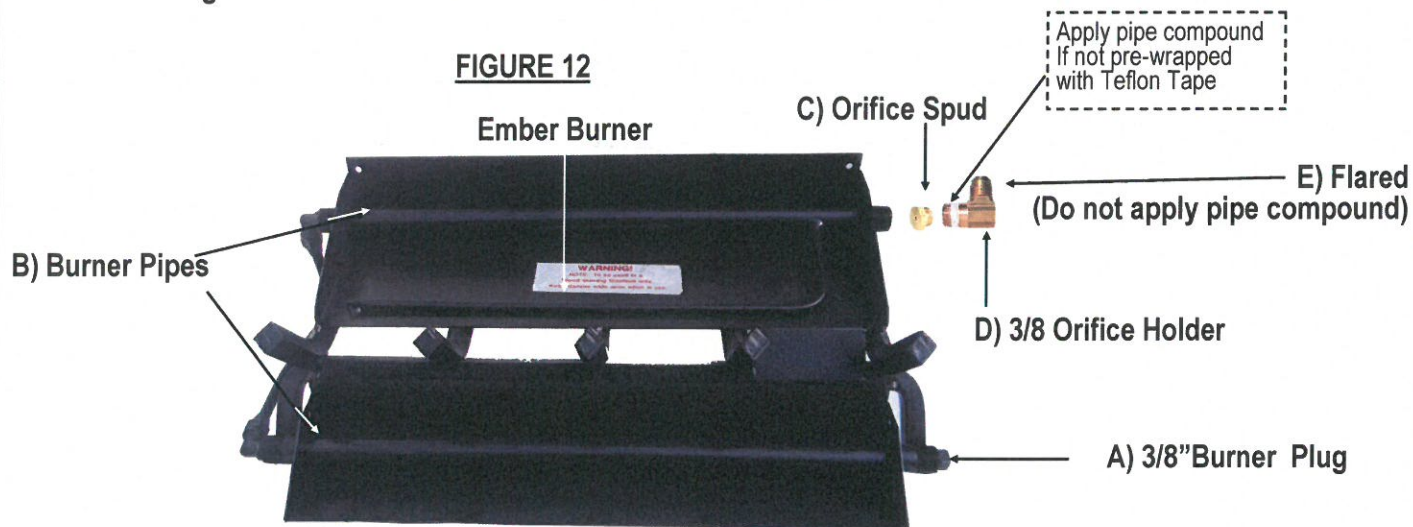
STEP THREE: BURNER PAN ASSEMBLY

Natural Gas Models: LC18/20, 24, 30 and 36-N (Natural Gas)

NOTE: If fittings do not come pre-wrapped with Teflon threaded tape, pipe compound **MUST** be applied to all tapered pipe threads to prevent gas leaks. **DO NOT** use Teflon tape or pipe compound on *any* flared fitting threads.

1. Thread **Orifice Spud** (Figure 12C) into **3/8" Orifice Holder** (Figure 12D) (Do not use pipe compound or Teflon tape here) **NOTE:** The Orifice Spud is a gas consumption limiter. Higher flames (and greater gas consumption) may result if orifice spud is not installed.
2. Thread Orifice Holder into Burner Pipe and wrench tighten with the flared end facing rear wall of firebox (Figure 12E).
3. Place **Rating Plate** with this instruction manual in a location for future reference.

FIGURE 12



OPTIONAL ACCESSORY MATCH LIGHTED WITH MANUAL "V-17" VALVE

STEP THREE: BURNER PAN ASSEMBLY

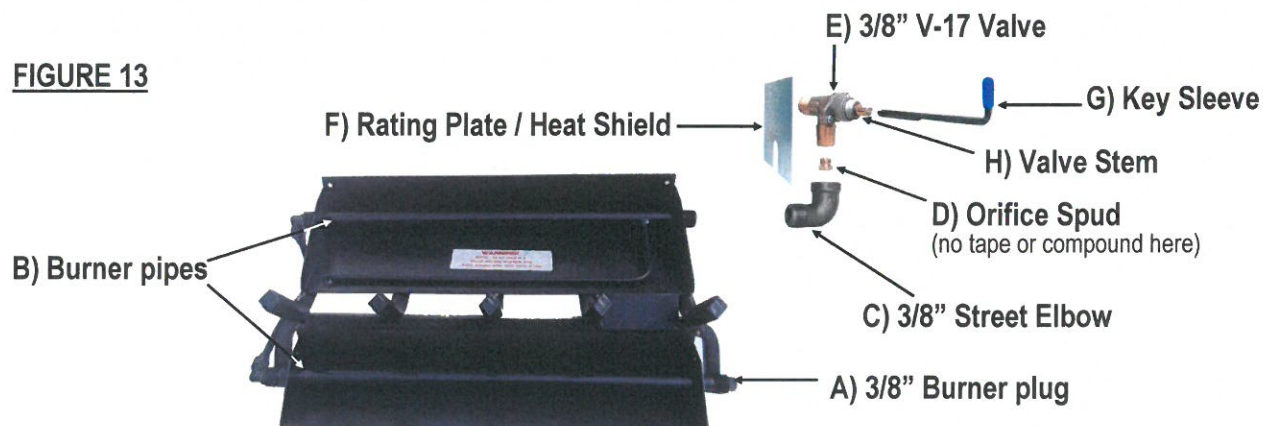
NOTE: If fittings do not come pre-wrapped with Teflon threaded tape, pipe compound **MUST** be applied to all tapered pipe threads to prevent gas leaks. **DO NOT** use Teflon tape or pipe compound on *any* flared fitting threads.

1. Thread **Burner Plug** (Figure 13A.) into the **Burner Pipe** at opposite end of gas supply (Figure 13B) and wrench tighten. (If not already installed at Factory)
2. Thread **3/8" Street Elbow** (Figure 13C) into Burner Pipe and wrench tighten into position shown.
3. Thread **Orifice Spud** (Figure 13D) (*Without* using pipe compound or Teflon tape) into **3/8" V-17 Valve** (Figure 13E), then thread Valve into 3/8" Elbow and wrench tighten into position shown.

NOTE: The Orifice Spud is a gas consumption limiter. Higher flames (and greater gas consumption) may result if orifice spud is not installed.

4. Insert **Rating Plate/Heat Shield** (Figure 13F) between the burner pipe and the 3/8" Street Elbow.
5. Insert **Key Sleeve** (Figure 13G) over **V-17 Valve Stem**(13H)

FIGURE 13



PAN MEDIUM

(Amount supplied will vary with each size and style of burner)

STEP FOUR: Completely cover **Burner Pipes** (Figure 4A and Figure 5A) and **Ember Booster** (Figure 4B and Figure 5B) with Pan Medium starting from rear of burner pan and moving toward leading edge. Use entire contents of bag provided, allowing medium to spill over leading edge of burner pan (Figure 4C and Figure 5C). If using a Natural Gas burner the Pan Medium used will be White Sand as shown in Figure 4. If using a Propane Gas burner, the Pan Medium used will be Volcanic Ash, as shown in Figure 5. If using a Natural Gas model, the Volcanic Ash supplied can be used as dressing for the firebox floor (See page 9). **NEVER** use White Sand inside a propane gas burner.

NOTE: When installing a propane model insure that the air mixer hole is not blocked or covered.

FIGURE 4
Natural Gas

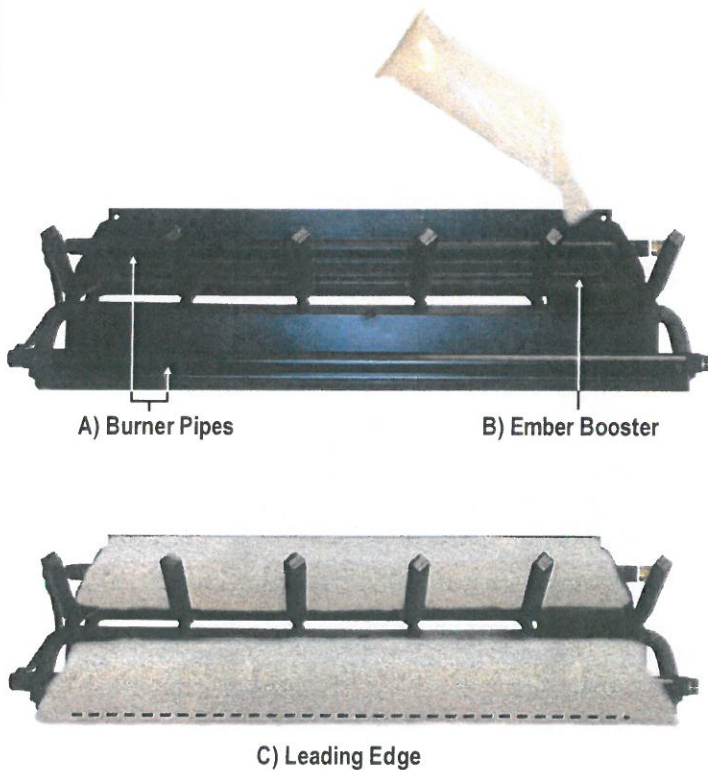
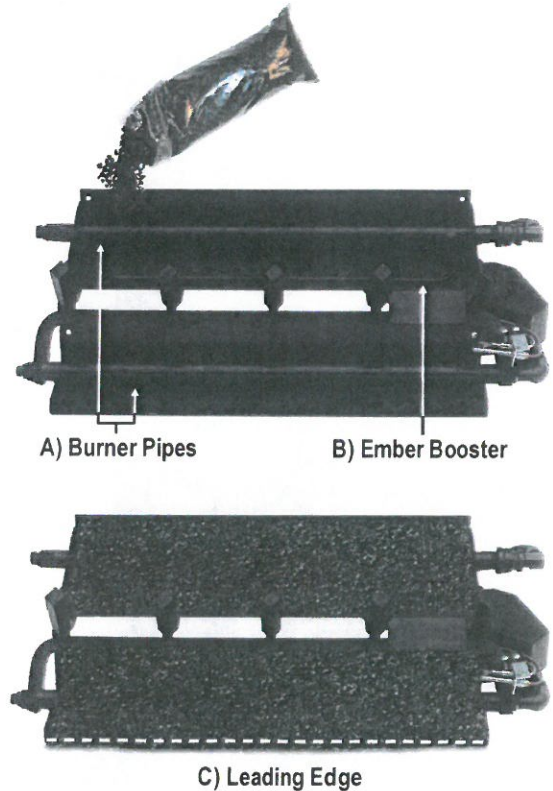


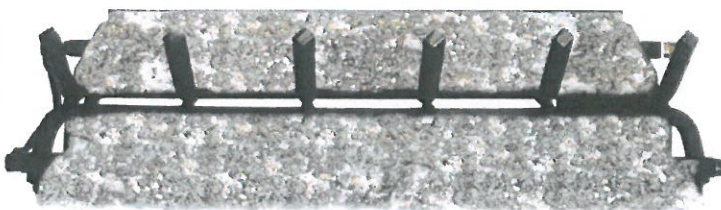
FIGURE 5
Propane



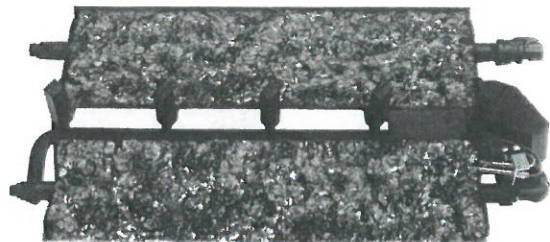
STEP TWO: Sprinkle a light covering of “Ember Magic” over the Pan Medium (Figure 6A and Figure 6B). Pull apart “Ember Magic” fiber material to enhance the glowing ember effect. Spread remaining “Ember Magic” around ends of pan to add to the ember bed appearance. When done the Burner pan should look somewhat like the illustration below. (See page 9 also)

FIGURE 6

A) Natural Gas



B) Propane



WARNING: Failure to position the parts in accordance with these diagrams or failure to use only parts specifically approved with this heater may result in property damage or personal injury.

WARNING: NEVER use White Sand inside a propane gas burner.

LOG PLACEMENT

CAUTION: Crowded logs will cause poor combustion and result in excessive soot formation.

The largest logs will be the **Front and Rear Logs** (Figure 7A and Figure 8B). Some log sets have two separate front logs which simulate a charred/burnt effect between the two halves (Figure 9A and Figure 9B). Place the **Longest Log** or 2 largest "charred" logs if applicable (Figure 9A and 9B) as far forward on the Grate as possible. The *next Longest* Log is placed as far to the rear as possible on top of the two supplied Log Lifters (Figure 8A and Figure 8B). The remaining logs, or "**Top Logs**" are placed diagonally across the Front and Rear logs with the larger top logs placed first allowing flame to pass freely between them (Figure 7C).

FIGURE 7

Top View, LC24 with
24" White Birch log set

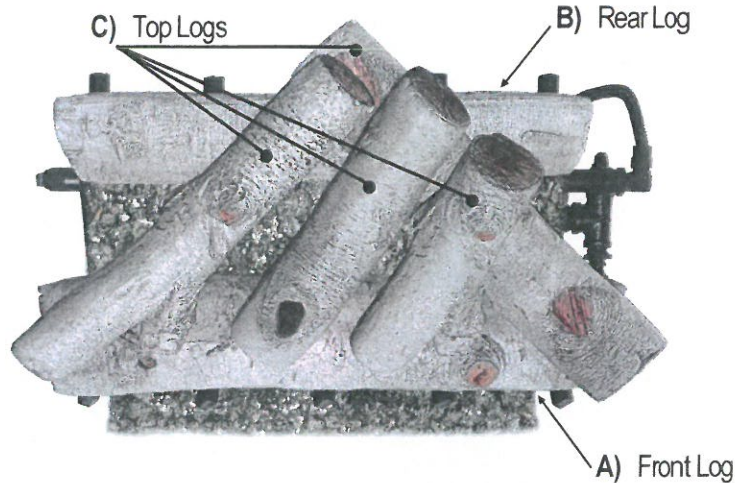


FIGURE 8

Side and Rear View,
LC30-N with 30"
TimberFire log set

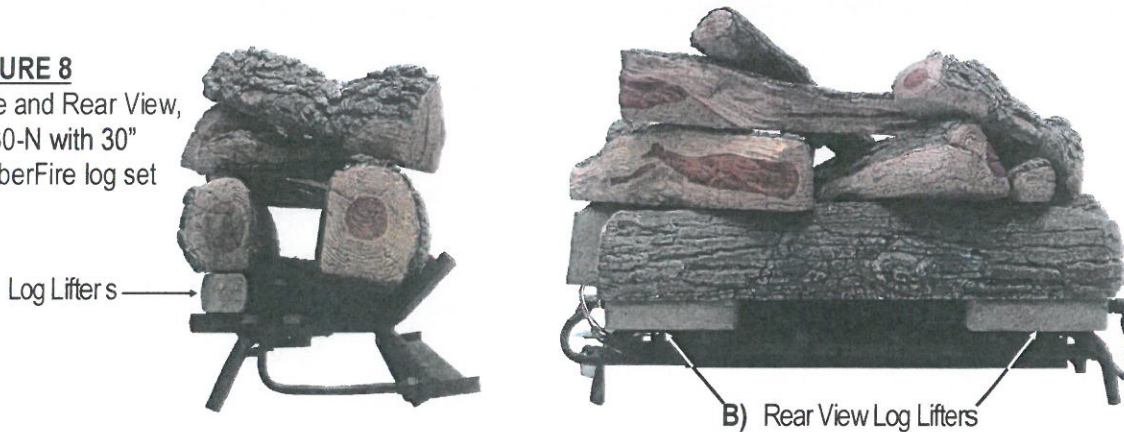
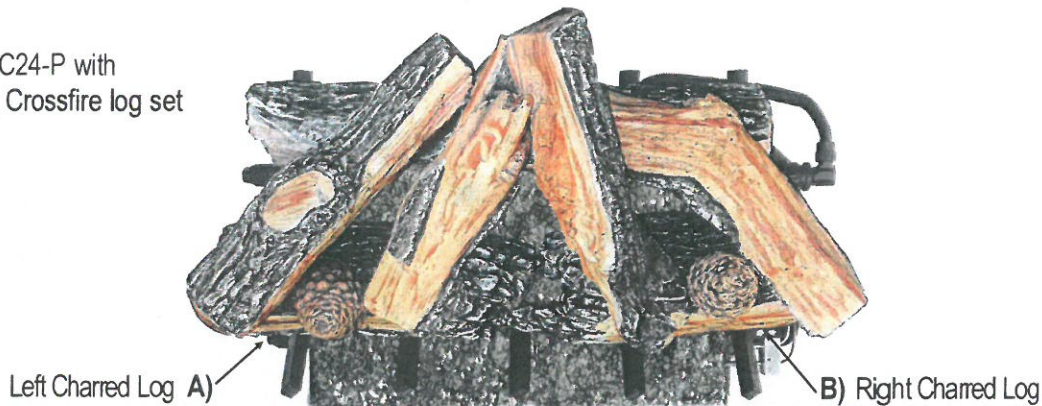


FIGURE 9

Top View, LC24-P with
24" Evening Crossfire log set

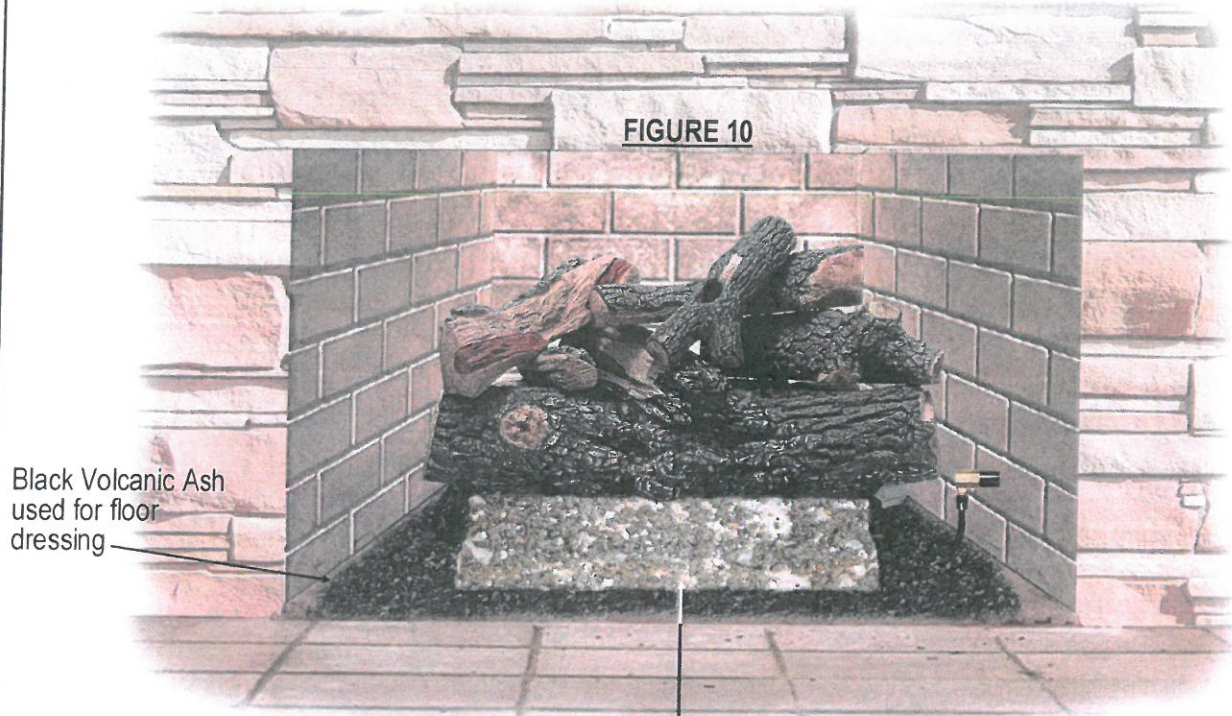


WARNING: Failure to position the parts in accordance with these diagrams or failure to use only parts specifically approved with this heater may result in property damage or personal injury.

IMPORTANT! YOUR GAS LOG SET SHOULD BE OPERATED FOR THE FIRST 2-3 HOURS AT A LOW FLAME SETTING TO ALLOW TEMPERING OF THE REFRACTORY LOGS.

COMPLETE INSTALLATION OF BURNER AND GAS LOGS

Fully Assembled "Match Lit" (LC30 - N) TimberFire (PH30) Log Set shown Below. (See Figure 10) Volcanic Ash sprinkled around the outside of the Burner Pan Assembly for a decorative effect. Volcanic Ash may also be used to conceal the Flex Connector.



LC30" Natural Gas Model shown below with TimberFire Log set (PH30)
Optional Accessory Match Lighted with Manual "V17" Valve



LIGHTING AND OPERATION INSTRUCTIONS

WARNING: Failure to position the parts in accordance with these diagrams or failure to use only parts specifically approved with this appliance may result in property damage or personal injury.

Applies to Natural Gas Models LC18/20, 24, 30 and 36. All other models refer to supplied instructions.

WARNING: Match Lit burners is not designed for use with propane/LP gas. A safety pilot must be installed on all units designed or converted to burn propane/LP gas.

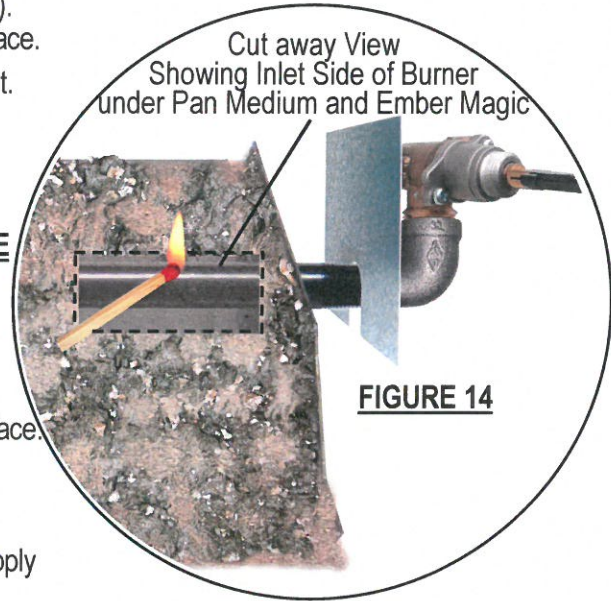
BEFORE LIGHTING: Smell around the burner area and next to floor for gas. Propane gas is heavier than air and may settle on the floor.

• STANDARD MATCH LIGHTING

1. Place lighted match on embers near inlet end of burner (Figure 14). **DO NOT HOLD MATCH IN HAND!** Move away from front of fireplace.
2. Slowly open Fireplace Gas Supply Valve and wait for burner to light.
3. Adjust Fireplace Gas Supply Valve for desired flame height.
4. To shutdown close Fireplace Gas Supply Valve completely.

• MATCH LIGHTING WITH OPTIONAL ACCESSORY V-17 VALVE

1. Ensure that the Manual V-17 Valve is completely closed.
2. Open Fireplace Gas Supply Valve.
3. Place lighted match on embers near inlet end of burner (Figure 14) **DO NOT HOLD MATCH IN HAND!** Move away from front of fireplace.
4. Slowly open Manual V-17 Valve and wait for burner to light.
5. Adjust Fireplace Manual V-17 Valve for desired flame height.
6. To shutdown close both Manual V-17 Valve and Fireplace Gas Supply Valve completely.



WARNING

This is a vented gas appliance for use only in a solid-fuel burning fireplace constructed on non-combustible material with a fully functional chimney flue which must vent all of the products of combustion. **WHEN OPERATING, THE CHIMNEY DAMPER MUST BE FULLY OPEN**

Natural Gas Operating Pressures: Minimum inlet gas supply pressure = 6 inches of water column. Maximum inlet gas supply pressure is 7 inches of water column. **Propane Gas Operating Pressures:** Minimum inlet gas supply pressure = 11 inches of water column. The maximum inlet gas supply pressure is 14 inches of water column.

WARNING

During manufacturing, assembly and packaging, various components of this appliance are exposed to certain oils or films. These are not harmful but may produce annoying smoke and smells as they are burned off during the initial operation of the appliance, possibly causing headaches, eye or lung irritation. This is a normal occurrence and only temporary. The initial break-in operation should last 2-3 hours with the burner at the highest setting. Provide maximum ventilation by opening windows, doors and the chimney flue (if using a vented model) to allow odors to dissipate. The only odor remaining after this initial break-in period will be the normal odors associated with the combustion of Natural or Propane Gas and/or related to your indoor environment (see page 12).

IMPORTANT

This LC Multi Burner Log set is for use only in a fully functioning wood burning fireplace with the damper wide open. The flue must vent all of the products of combustion.

IMPORTANT! YOUR GAS LOG SET SHOULD BE OPERATED FOR THE FIRST 2-3 HOURS AT A LOW FLAME

NORMAL OPERATING CHARACTERISTICS

Each and every **LC Multi Burner** that leaves the factory is quality checked to ensure compliance with our certification. This check includes an operational test to ensure both satisfactory combustion and proper operation.

A normally operating LC Multiburner and Log Set possess the following characteristics:

- A yellow bodied wood-like flame that will produce carbon soot. The carbon soot produced is natural and adds to the realistic appearance of the set. If the carbon becomes excessive, operate the set for ten minutes to heat the logs, then spray the sooty area with water. This dislodges the soot, which is carried up the chimney by the natural draft.
- The pilot flame should be blue in appearance.

CUSTOMER RESPONSIBILITIES AND PERIODIC MAINTENANCE

- Keep the area around the **LC Multi Burner** free and clear from debris.
- From time to time, visually check pilot and burner flames for proper appearance.
- The pilot burner should be free of lint and dirt. Use a brush with stiff bristles to clean the pilot.
- The main burner should produce a relatively even flame from side to side. If the flame tends to originate from one side, the sand or volcanic ash may have become packed on the other side. When the set is off and cool, loosen the sand or volcanic ash with a wire or knife blade to allow a freer flow of gas.
- Periodically examine and clean the venting system. Once every year, a qualified agency or certified chimney sweep should examine and clean the venting system of the solid fuel burning fireplace in which the **LC Multi Burner** installed (if applicable).
- The air mixer and burner must be free of lint and dirt for optimum performance. Air mixers which have been closed or are obstructed with debris will not allow sufficient combustion air into the burner. Use compressed air and/or a soft bristle brush to clean the air mixer area. **Air mixers should not be altered from factory settings.**
- Do not operate this set with any burner objects other than the **RASMUSSEN** Gas Logs specifically designed and approved for use with this Burner System.
- Do not use with blower inserts or heat exchangers.
- If used, glass doors must be wide open when burner is on.
- Do not remove Rating Plate/Warning Tags. These tags serve you and any future user as an integral safety and identification component of the **LC Multi Burner** gas log heater. **Removing these tags voids the warranty.**
- **WARNING: Do not allow fans to blow directly into fireplace. Avoid any drafts that alter burner flame patterns.** Do not place blower inside area of firebox. Ceiling fans may create drafts that alter burner flame patterns. Sooting and improper burning may occur. Sooting can settle on surfaces outside the fireplace.
- Maintain positioning of Gas Logs (Pages 8) at all times.

WARNING: Failure to position the parts in accordance with the diagrams in this manual or failure to use only parts specifically approved with this appliance may result in property damage or personal injury.

IMPORTANT

This LC Multi Burner Log set is for use only in a fully functioning wood burning fireplace with the damper wide open. The flue must vent all of the products of combustion.

GAS TYPE CONVERSION

In order to convert this **LC Multi Burner** decorative gas burner from natural gas to propane or vice versa, the purchase of a Rasmussen factory issued LC18/24/30/36-N OR P conversion kit is required along with the appropriate burner medium, i.e. silica sand for natural gas or volcanic ash for propane. (see also, page 7, "Burner Medium Installation" and page 3 "How to Order Parts")

TROUBLESHOOTING

Safety Pilot Lighting Issues

- Check for loose Thermocouple terminal nut connection.
- Check that pilot flame strikes thermocouple—Adjust as needed.
- Check that Valve Knob is fully depressed during pilot lighting operation and held depressed for 30 to 60 seconds with pilot flame lighted.

Nuisance Shutdown of Burner or Pilot/

Pilot Difficult to Light or Unable to Remain Lighted After Months or Years of Use

Most likely cause: Air in the gas line, dust intrusion under the pilot hood, low pilot flame.

Fix: Bleed gas line free of all air, blow out pilot hood, adjust pilot flame. Perform this cleaning annually or as required to prevent nuisance shutdown.

Burner is Excessively Noisy

Please Note: The movement, mixing of air and gas, and combustion will create a low, throaty sound, which is normal.

Excessive gas pressure: Make sure the gas pressure coming into the fireplace does not exceed the maximum pressure allowed with this gas set (refer to the table on pages 5).

Passage of air/gas across irregular surfaces: There may be burrs, paint or other blockages on the burner bar ports. Check these ports and remove any blockage.

Gas Connector: Relieve any tight bends or kinks in the Flex Connector. Switch to a smooth aluminum connector, which can be purchased at hardware or home improvement stores.

Burner Flame is Too High (8-12" Above Top Logs) or Too Low (Below Top Logs)

Incorrect gas supply, pressure, or burner orifice used: 1) Ensure gas type of set is proper for gas type being used. Make sure the gas pressure coming into the fireplace falls between the minimum and maximum pressures allowed with this gas set (refer to the table on page 5).

Blocked ports (low flame only): Free the main burner orifice and burner bar ports of any burrs, paint or other blockage.

Odor and/or Smoke After Break-in Period (other than Natural Odor of Gas Combustion)

Most likely causes: Lack of fresh air and/or impurities in the room air. Since the appliance is drawing its combustion air from the living area, any odors or impurities present in the room will be recycled through the flame and recirculated back into the room. Such impurities include: pet hair, fresh paint or varnish, paint remover, cigarette smoke, potpourri and incense, cements and glues, new carpet or textiles, dust build-up, and residue from previous wood burning left in the fire-box and flue, among other things.

Fix: Add fresh air. Remove sources of impurities.

NOTE—The installation of appliances in a manufactured home (U.S. only) or mobile home installation must conform with the Standard CAN/CSA Z240 MH, Mobile Housing, in Canada, or with the *Manufactured Home Construction and Safety Standard, Title 24 CFR, Part 3280*, in the United States, or when such a standard is not applicable, *ANSI/NCSCS A225.1/NFPA 501A, Manufactured Home Installations Standard*.

HOW TO ORDER PARTS

Parts can be ordered through the supplier from whom you purchased your LC Multiburner and Log Set or from Rasmussen. When ordering parts, please specify;

1. Model number and Serial number of the Burner (available on the Rating Plate).
2. Model number of the objects set.
3. Type of Gas (natural or propane) and control type
4. The name of part with part number (located on parts list, page 3) or specific object throughout manual.

LIMITED LIFETIME CONSUMER PRODUCT WARRANTY

The following warranty has been drafted to comply with the MAGNUSON-MOSS WARRANTY ACT applicable to products manufactured after July 4, 1975, It replaces and supersedes any warranty in this package or in any printed literature.

LIMITED WARRANTY:

RASMUSSEN IRON WORKS INC, 12028 E. Philadelphia Street, Whittier California, U.S.A., warrants this Gas Log Set and accessories against defects in materials and workmanship, and suitable for a particular purpose, for a period of:

Home (Non-Commercial use):

- (1) LOG CASTINGS - All logs are guaranteed against crumbling in the original installation for the lifetime of the initial purchaser.
- (2) BURNERS/GRATES - 2 Years from date of purchase.
- (3) SAFETY CONTROLS - Pilots and Safety Controls are covered by warranty of the original manufacturer only.

Commercial Use:

All components - 1 year from date of purchase

THIS WARRANTY IS FOR THE BENEFIT OF THE ORIGINAL PURCHASER.

WARRANTY ADJUSTMENT:

- (1) RASMUSSEN agrees to repair or furnish a replacement for, but not remove or install any product or component which proves defective within the above warranty and appropriate time periods stated.
- (2) BUYER notify RASMUSSEN of any defect within this warranty no later than thirty (30) days after a defect is discovered.
- (3) No product will be accepted for return or replacement without written authorization of RASMUSSEN. Before returning merchandise, write to RASMUSSEN Giving us full details of the complaint and a copy of the sales receipt or other evidence of the purchase date. Merchandise returned without proof of purchase date will be serviced out-of-warranty at our prevailing service and parts rates. If merchandise was damaged in transit, the file claim must be addressed as follows:

RASMUSSEN IRON WORKS INC
12028 E. PHILADELPHIA STREET
WHITTIER, CALIFORNIA 90601

Shipping charges must be pre-paid by the buyer.
REPAIR OR REPLACEMENT UNDER THIS WARRANTY WILL BE SHIPPED FREIGHT COLLECT.
EXCLUSIONS FROM WARRANTY:

- (1) The foregoing warranty is limited solely as set forth herein and applies only for the designated above.
- (2) RASMUSSEN shall not be liable for any loss, damage incidental or consequential damages of any kind, whether based upon warranty, contract, or negligence, arising in connection with the sale, use or repair of the product. Some states do not allow the exclusion or limitation of incidental or consequential damages, so the above limitation or exclusion may not apply to you.
- (3) The maximum liability of RASMUSSEN in connection with this limited warranty shall not in any case exceed the contract price paid for the product claimed to be defective or unsuitable.
- (4) This warranty does not extend to any product manufactured by RASMUSSEN which has been subjected to misuse, neglect, accident improper installation, or use in violation of instructions furnished by RASMUSSEN.
- (5) This warranty does not extend to or apply to any unit which has been repaired or altered in any place other than RASMUSSEN IRON WORKS INC. factory, or by persons not expressly approved by RASMUSSEN.
- (6) Components manufactured by any supplier other than RASMUSSEN shall bear only that warranty made by the manufacturer of that product.
- (7) Freight damage, cracking from thermal shock, and color changes occur from causes beyond manufacturer's control and are not covered by any warranty.

THIS WARRANTY GIVES YOU SPECIFIC LEGAL RIGHTS, AND YOU MAY ALSO HAVE OTHER RIGHTS WHICH VARY FROM STATE TO STATE.

RASMUSSEN IRON WORKS, INC. shall be held harmless from any and all claims by the buyer as a result of injury or damage to an Ultimate user or other person caused by the product sold herein by the seller to the buyer, whether the injury or damage results from the assembly, product installation, operation, shipment, storage or manufacture of this product. RASMUSSEN IRON WORKS, INC. makes no warranties, expressed or implied, other than those expressly stated herein.

*** CUSTOMER RESPONSIBILITY ***

Your Gas Log is designed to burn with a natural smoky yellow flame that produces carbon soot. Like a wood fire, burning a Gas Log with the flue blocked or closed will cause fumes and smoke to remain in the room and cause health hazards.

DAMPER MUST BE FULLY OPEN WHEN BURNING A GAS LOG SET.

CONSUMER RECORD CARD

Please record and retain information for future reference. Register your product at www.rasmussen.biz



LOG MODEL: _____

SAFETY CONTROL: _____

DATE OF PURCHASE: _____

DEALER: _____

INSTALLER: _____