



Model: WS-2R-KIT INSTALLATION AND OPERATION INSTRUCTIONS

IF YOU CANNOT READ OR UNDERSTAND THESE INSTALLATION INSTRUCTIONS DO NOT ATTEMPT TO INSTALL OR OPERATE

CALIFORNIA PROPOSITION 65

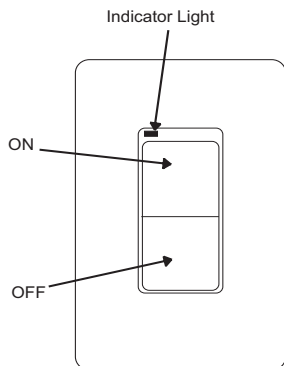


WARNING

This product can expose you to Tetrabromobisphenol-A, which is known to the state of California to cause cancer. (For more information, go to www.p65warnings.ca.gov)

INTRODUCTION

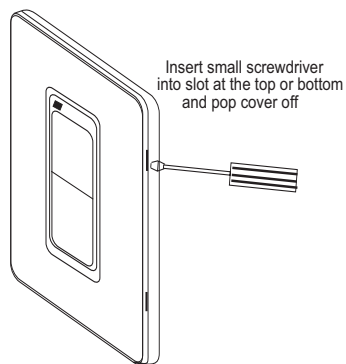
This remote control system was developed to provide safe, reliable, user-friendly remote control system for gas heating appliances. The system can be operated manually from the transmitter.



The wall transmitter operates on a (2) 3-volt button cell batteries (included). Before using the wall transmitter, install the (2) 3-volt button cell batteries. Follow instructions below.

The wall transmitter has an ON/OFF rocker switch. When the rocker switch on the wall transmitter is pressed, a signal light on the wall transmitter illuminates briefly to verify that a signal has been sent. If the signal light does not illuminate it could be the batteries. **Be sure the batteries are installed with the (+) and (-) ends facing the correct direction and are fully charged.**

INSTALLING AND REPLACING BATTERIES

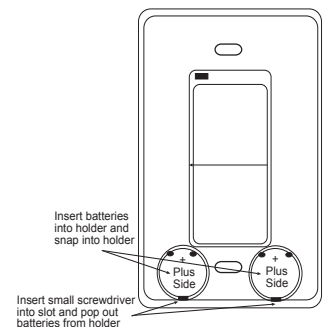


- Remove the faceplate from the base by inserting a small screwdriver into the small slot on the side of the faceplate (shown on left) then popping it off.

- To take the batteries out, insert a small screwdriver into the slot at the button cell battery (shown on right) and pop the batteries out.

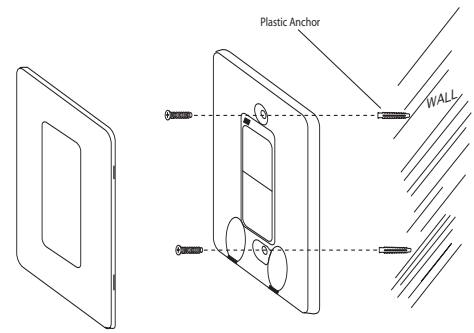
- Place the button cell batteries into the battery holders, inserting the top edge under the metal clips and snap into place. **Make sure that the batteries are installed with the (+) plus side facing up.**

- After the batteries are installed replace the faceplate on the base.



WALL MOUNTING THE TRANSMITTER

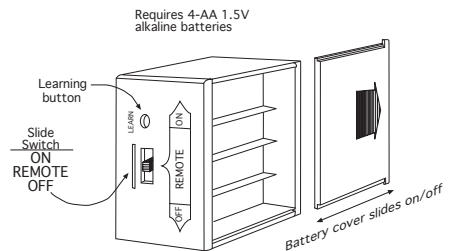
- Remove faceplate from the base by inserting a small screwdriver into the small slot at the top or bottom of the faceplate then popping it off.
- Locate the (2) two mounting holes and mark the holes on the wall.
- Use the (2) two dry wall anchors and screws (supplied) to mount the base plate to the wall as shown.
- Then snap the faceplate back on to the wall-mounted transmitter.
- The wall transmitter can also be mounted onto an existing (not metal) electrical box.



RECEIVER/MODULE

Install the (4) AA-size batteries supplied with the unit. It is recommended that ALKALINE batteries always be used for this product. **Be sure the batteries are installed with the (+) and (-) ends facing the correct direction.**

The remote receiver/module has a 3-position slide switch for selecting the mode of operation **ON/REMOTE/OFF**



- **ON:** will manually turn ON the appliance.
- **REMOTE:** will allow use of handheld transmitter. If the system does not respond to the transmitter on initial use, check the battery positions in the remote. If that does not work, see the LEARNING TRANSMITTER TO RECEIVER/MODULE section.
- **OFF:** will disable the remote receiver/module.
- **It is suggested that the slide switch be placed in the OFF position if you will be away from your home for an extended period of time.**

WARNING

This remote control system must be installed exactly as outlined in these instructions. Read all instructions completely before attempting installation. Follow instructions carefully during installation. Any modifications of this remote control or any of its components will void the warranty and may pose a fire hazard.

Do not connect any gas valve or electronic module directly to 110-120VAC power. Consult gas appliance manufacturer's instructions and wiring schematics for proper placement of all wires. All electronic modules are to be wired to manufacturer's specifications.

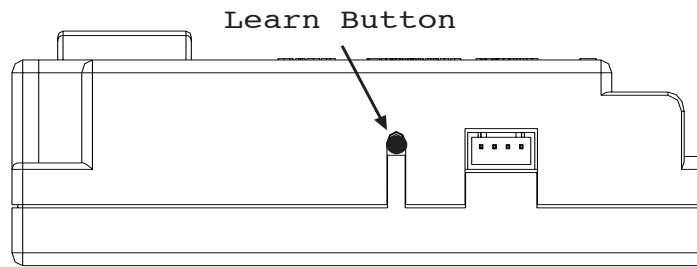
The following wiring diagrams are for illustration purpose only. Follow instructions from manufacturer of gas valve and/or electronic module for correct wiring procedures. Improper installation of electric components can cause damage to electronic module, gas valve and remote receiver.

GENERAL INFORMATION

LEARNING TRANSMITTER TO RECEIVER/MODULE

Each transmitter uses a unique security code. It will be necessary to press the LEARN button on the receiver/module to accept the transmitter security code upon initial use, if batteries are replaced, or if a replacement transmitter is purchased from your dealer or the factory. In order for the receiver to accept the transmitter security code, be sure the slide button on the receiver/module is in the REMOTE position; the receiver/module will **not** LEARN if the slide switch is in the ON or OFF position. The LEARN button is located on the front face of the receiver or on the side of the module; inside the small hole labeled LEARN. Using a small screwdriver or end of a paperclip gently press and release the black LEARN button inside the hole. When you release the LEARN button the receiver/module will emit an audible "beep". After the

receiver/module emits the beep press the transmitter **ON** or **OFF** button for approximately 2 seconds and release. The receiver/module will emit several beeps indicating that the transmitter's code has been accepted into the receiver/module.



AF-4000 Module Lt Side

BATTERY LIFE

Life expectancy of the alkaline batteries in the transmitter and receiver should be at least 12 months. Check and replace all batteries:

1. Annually.
2. When operating range becomes reduced.
3. When transmissions are not received by the remote receiver/module battery pack.
4. If the remote receiver batteries or module battery pack measure less than 5.3 volts (all four batteries in combination).
5. If the transmitter batteries measure less than 2.4 volts (each battery).

TROUBLE SHOOTING

If you encounter problems with your fireplace system, the problem may be with either the fireplace itself or with the remote. Review the fireplace manufacturer's operation manual to make sure all connections are properly made. Then check the operation of the remote in the following manner:

- Make sure all batteries are correctly installed in the transmitter and receiver/module. Also check that the batteries are fully charged.
- Check batteries in transmitter to make sure contacts are touching (+) and (-) ends of battery. Bend metal contacts in for tighter fit.
- Be sure receiver/module and transmitter is within 20 to 25-foot operating range.
- Keep receiver from temperatures exceeding 130 degrees F. Battery life will be shortened if exposed to high temperatures.
- If receiver is installed in a tightly enclosed metal surrounding, the operating distance will be shortened.
- Make sure the transmitter and remote receiver are communicating properly (see LEARNING TRANSMITTER TO RECEIVER/MODULE section).

FCC REQUIREMENTS

NOTE: THE MANUFACTURER IS NOT RESPONSIBLE FOR ANY RADIO OR TV INTERFERENCE CAUSED BY UNAUTHORIZED MODIFICATIONS TO THE EQUIPMENT. SUCH MODIFICATIONS COULD VOID THE USER'S AUTHORITY TO OPERATE THE EQUIPMENT

