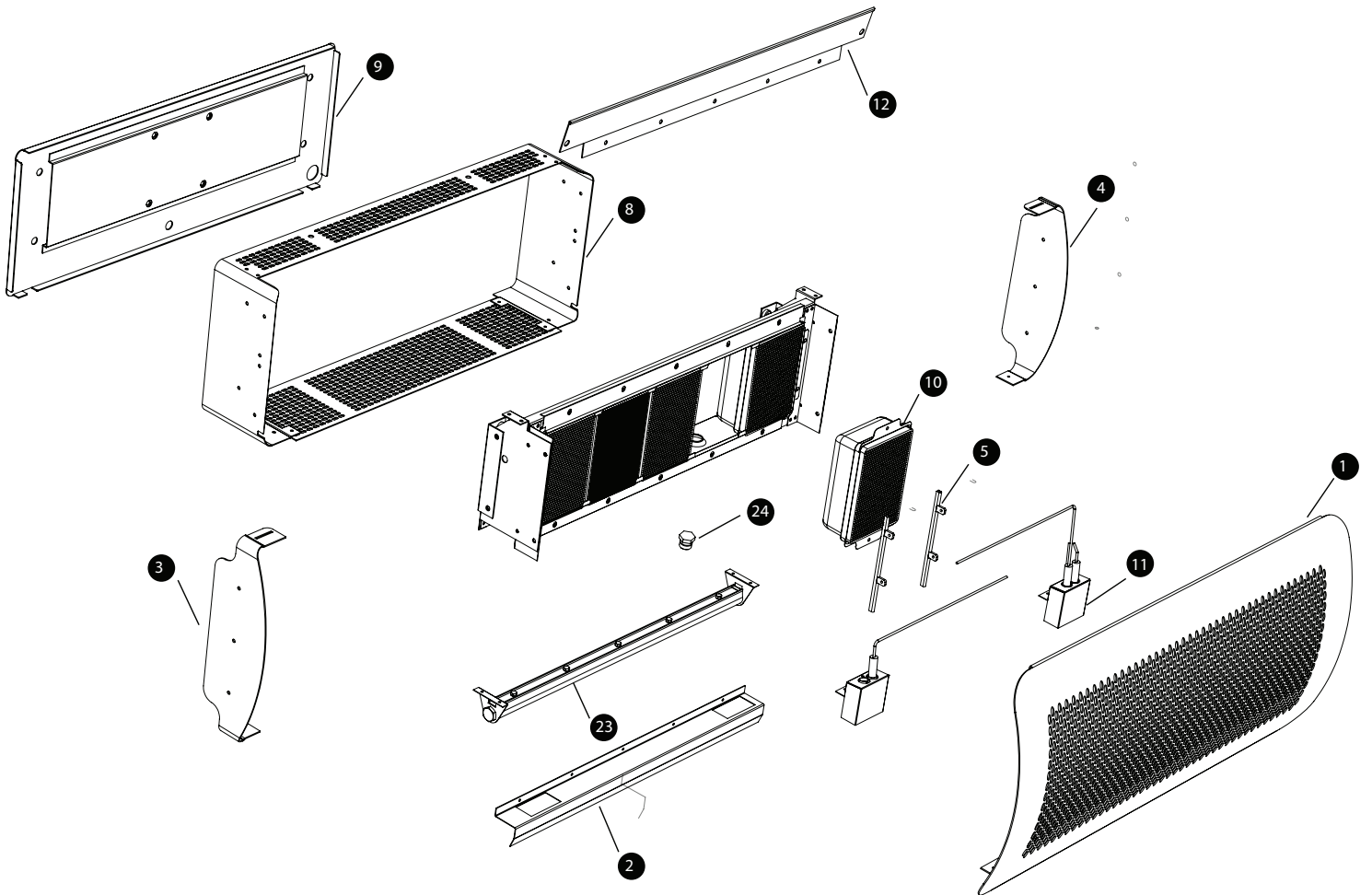
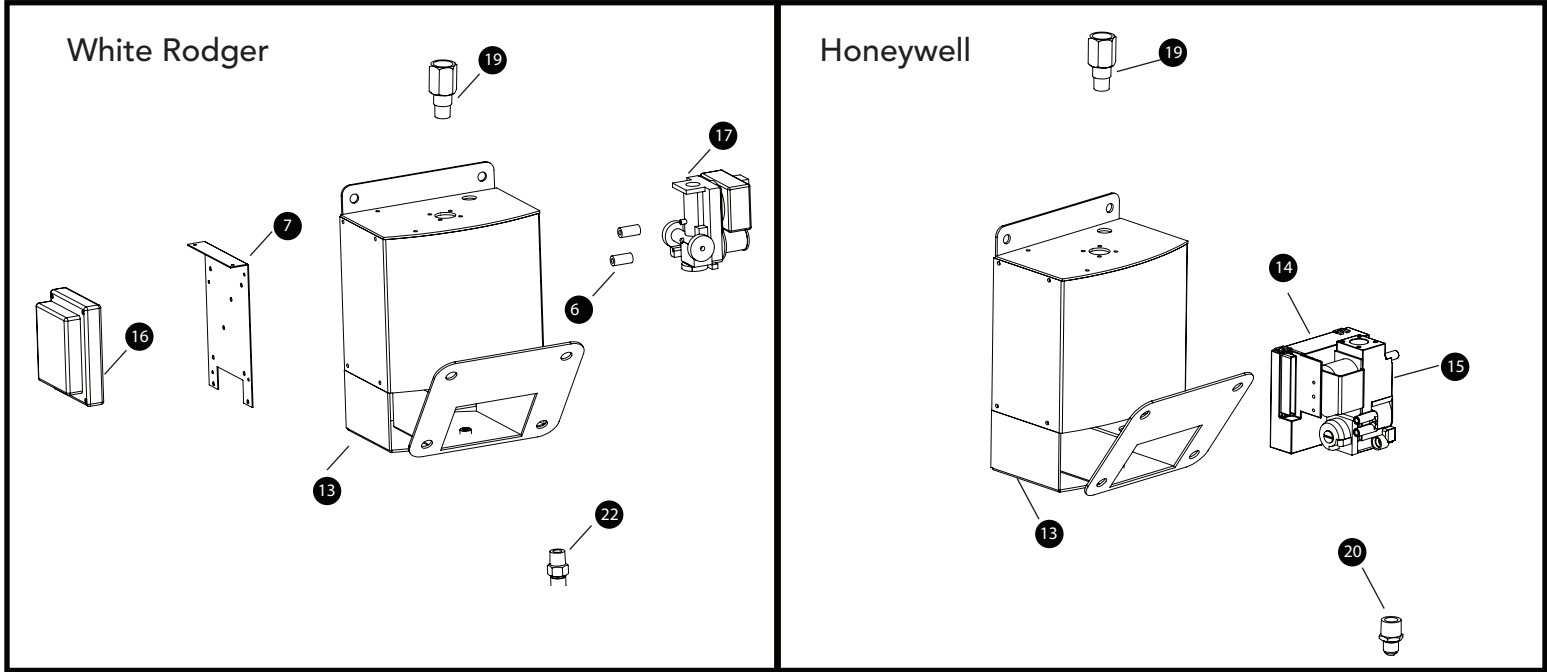


Tungsten Spare Parts



Tungsten Spare Parts

No.	Description	Part No. 300 Series	Part No. 500 Series
1	Front Cover	BH8080039	BH8080040
2	Flame Protector	BH8080041	BH8080042
3	Right Side Mount	BH8080043	BH8080043
4	Left Side Mount	BH8080044	BH8080044
5	Ionization Holder Assembly	BH8080045	BH8080045
6	White Rodger Spacer		
7	Control Mount		
8	Rear Housing	BH8080046	BH8080047
9	Rear Cover Assembly	BH8080048	BH8080049
10	Burner	BH8080030	BH8080030
11	Wiring Harness + Ignitor Assembly- Honeywell	BH8080012	BH8080013
12	Inner Skin	BH8080031	BH8080032
13	Wall Bracket Assembly	BH8080001	BH8080001
14	Honeywall Control	BH8080015	BH8080015
15	Honeywell Gas Valve	BH8080014	BH8080014
16	Fenwal Control		
17	White Rodger 24V Gas Valve		
19	Gas Inlet Fitting (Honeywell 1/2" Gas Valve)	BH8080035	BH8080035
20	Gas Outlet Fittings (Honeywell 1/2" Gas Valve)	BH8080036	BH8080036
22	Gas Outlet Fitting (WhiteRodgers Gas Valve)		
23	Manifold Assembly	BH8080037	BH8080038
24	Injector (LPG)	BH8080016	BH8080016
24	Injector (NG)	BH8080017	BH8080017
25	Wall Bracket Replacement Screw Set	BH8080050	BH8080050
26	Heater Replacement Screw Set	BH8080051	BH8080051
27	Gas Hose	BH8080052	BH8080052

Note: For more information on obtaining spare parts contact the place of purchase or BROMIC HEATING Head Office: 1 Suttor Street, Silverwater, Sydney, NSW 2128 Australia Telephone: 1300 276 642 (within Australia) or +61 2 9748 3900(from overseas) Fax: +61 2 9748 4289 Email: info@bromicheating.com Web: www.bromicheating.com