

# Hi! Let's get started.



## Your easiest way to endless entertainment

Connect now to get the most out of your TCL • Roku® TV



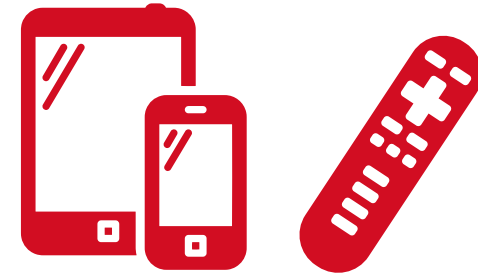
### Choose & Personalize

Personalize your Home screen with broadcast TV, your favorite 1500+ streaming channels, your game console and other devices.



### Search

Find movies and TV shows across top streaming channels,\*\* sorted so you can choose the best option or value.



### Control with Ease

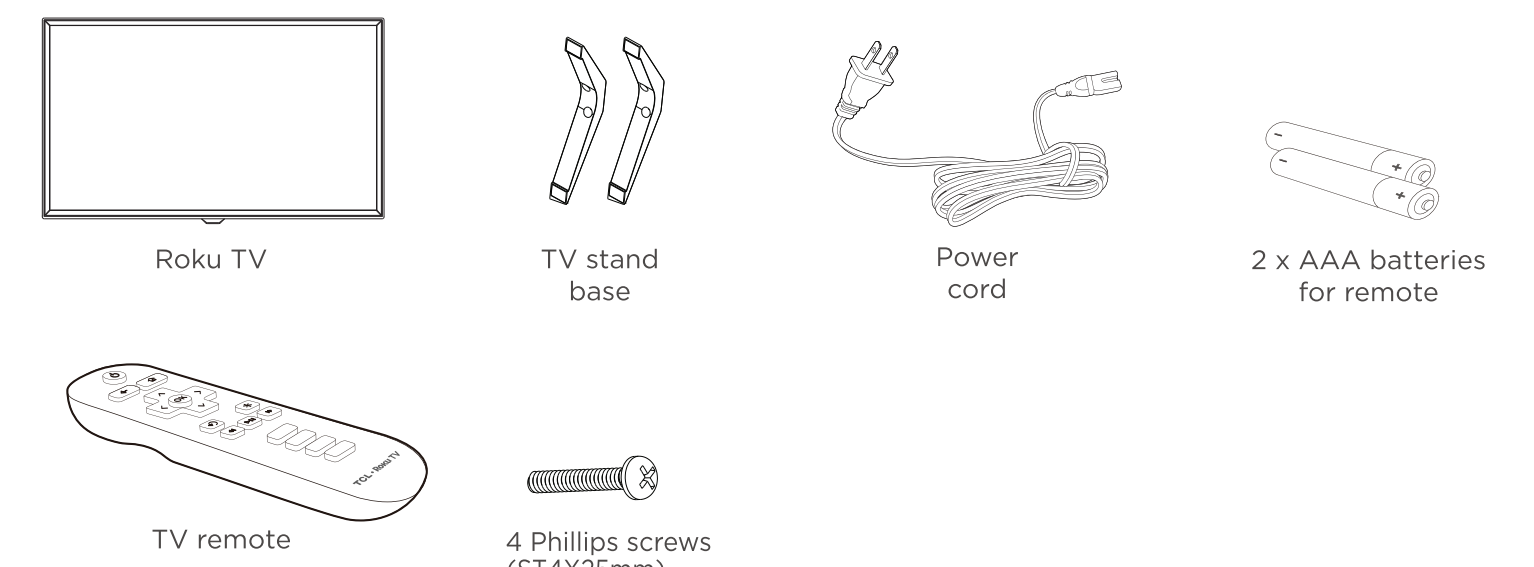
Control your TCL • Roku TV with the super simple remote, your smartphone or tablet.



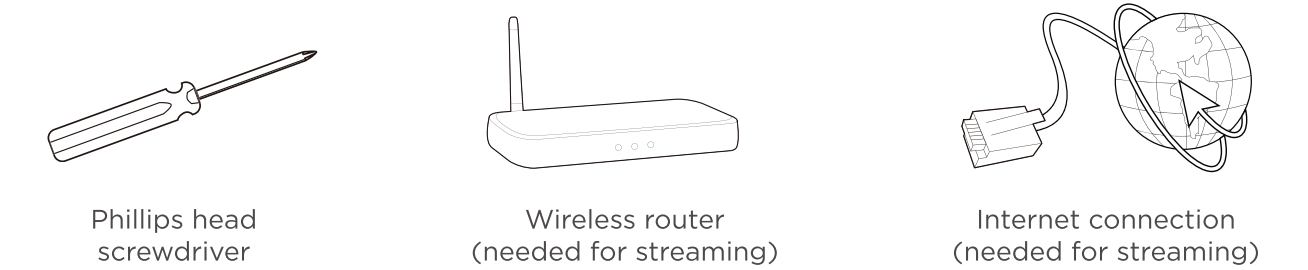
### Cast Media

Send video, music and photos from your smartphone or tablet to the big screen.

## What's in the box



## What you need



For additional support, please see User Manual at: [www.TCLUSA.com/support](http://www.TCLUSA.com/support)

\*Subscriptions or other payments may be required to access content on certain channels. For example, Netflix requires a paid subscription, which gives you access to movie and TV show titles in the Netflix streaming catalog. Some channels may not be available to all households in every market or in all countries where Roku players or other products with the Roku platform are sold.

## Step 1 Set up your TV

Ready for the step-by-step? You're only minutes away from TV bliss!

### Remove your TV from the box

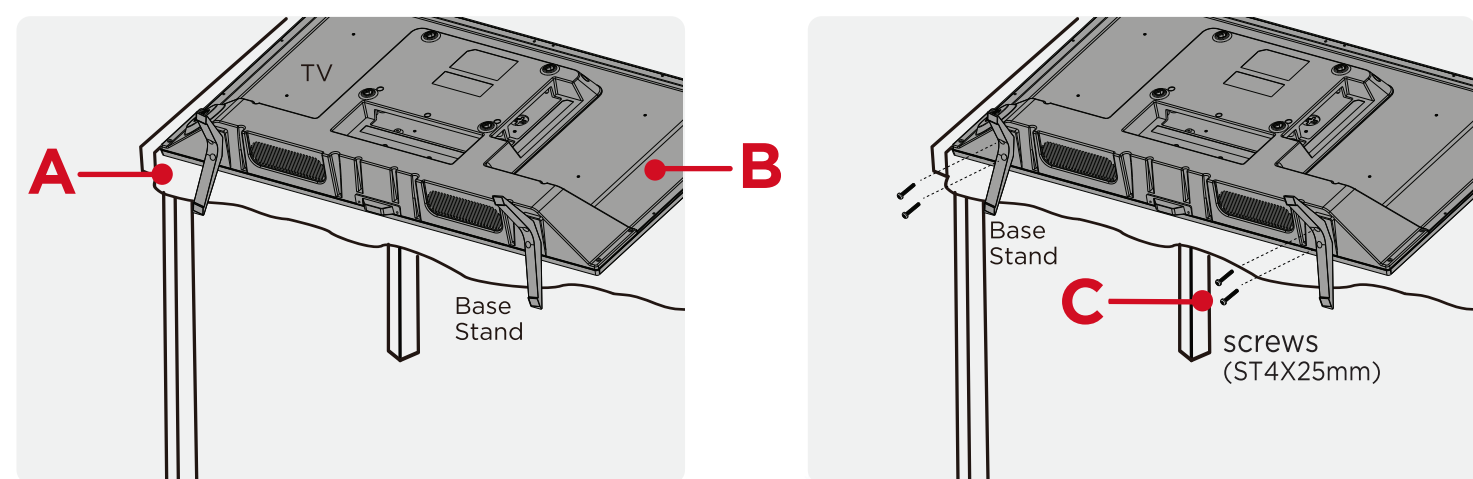
Be careful, it's heavy!

### To mount on a wall

Follow the instructions that come with the wall mount.

### To use the stand

- A** To prevent damage to the screen, carefully place your TV on a soft, cushioned surface.
- B** Align the base stand with the screw holes located on the TV stand column.
- C** Secure stand column to the TV with four (4) screws.



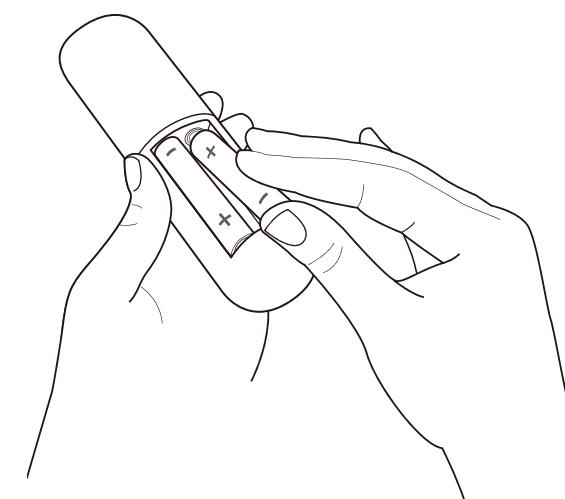
## Step 2 Power up

In this step, we'll make sure all systems are GO!

**Power your TV remote** by inserting the included batteries.

**Connect your power cord** to the TV, then plug it in to the wall outlet.

**Power Tip!** Always replace dead batteries with two brand-new batteries from the same manufacturer. Never use damaged batteries. If your remote gets warm/hot during use, discontinue use and contact customer support immediately at [www.TCLUSA.com/support](http://www.TCLUSA.com/support).

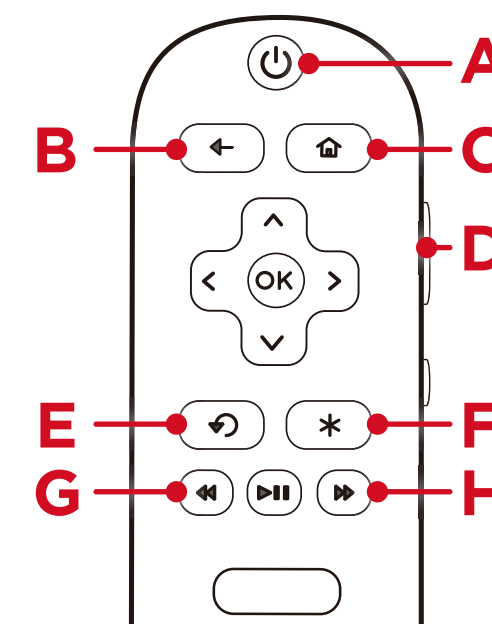


## Step 3 Grab your remote

The TV remote should feel right at home in your hand. We designed it to be incredibly intuitive for watching TV and navigating on-screen menus.

Here's some buttons you should know about.

- A POWER** Turn TV on and off
- B BACK** Return to previous screen
- C HOME** Return to Roku Home screen
- D VOLUME** Raise and lower volume
- E INSTANT REPLAY** Replay last 7 seconds of streaming video
- F OPTIONS** View more options
- G RWD SCAN** Rewind streaming video, scroll left one page at a time
- H FWD SCAN** Fast forward streaming video, scroll right one page at a time



**Tip!** The **Options** button gives you easy access to picture settings, display options, and more. Try it on every screen!

## Step 4 Complete guided setup

Establish your network connection and bring out your inner geek. You can do it!

## It's the final stretch—hurray!

### Let's Connect

Your TV will automatically detect wireless networks in your area. Have your network name and password handy and follow the easy on-screen setup.

Once you're connected, your TV will automatically update with the latest software—plus you can start streaming the entertainment you know and love. Unlike other TVs, your new TCL • Roku TV automatically receives regular software updates in the background when it's connected to the internet. This allows it to give you a better and better experience.

If you aren't ready to connect your TV to a wireless network, you can still use it as a regular TV.

## And setup is done...congratulations!

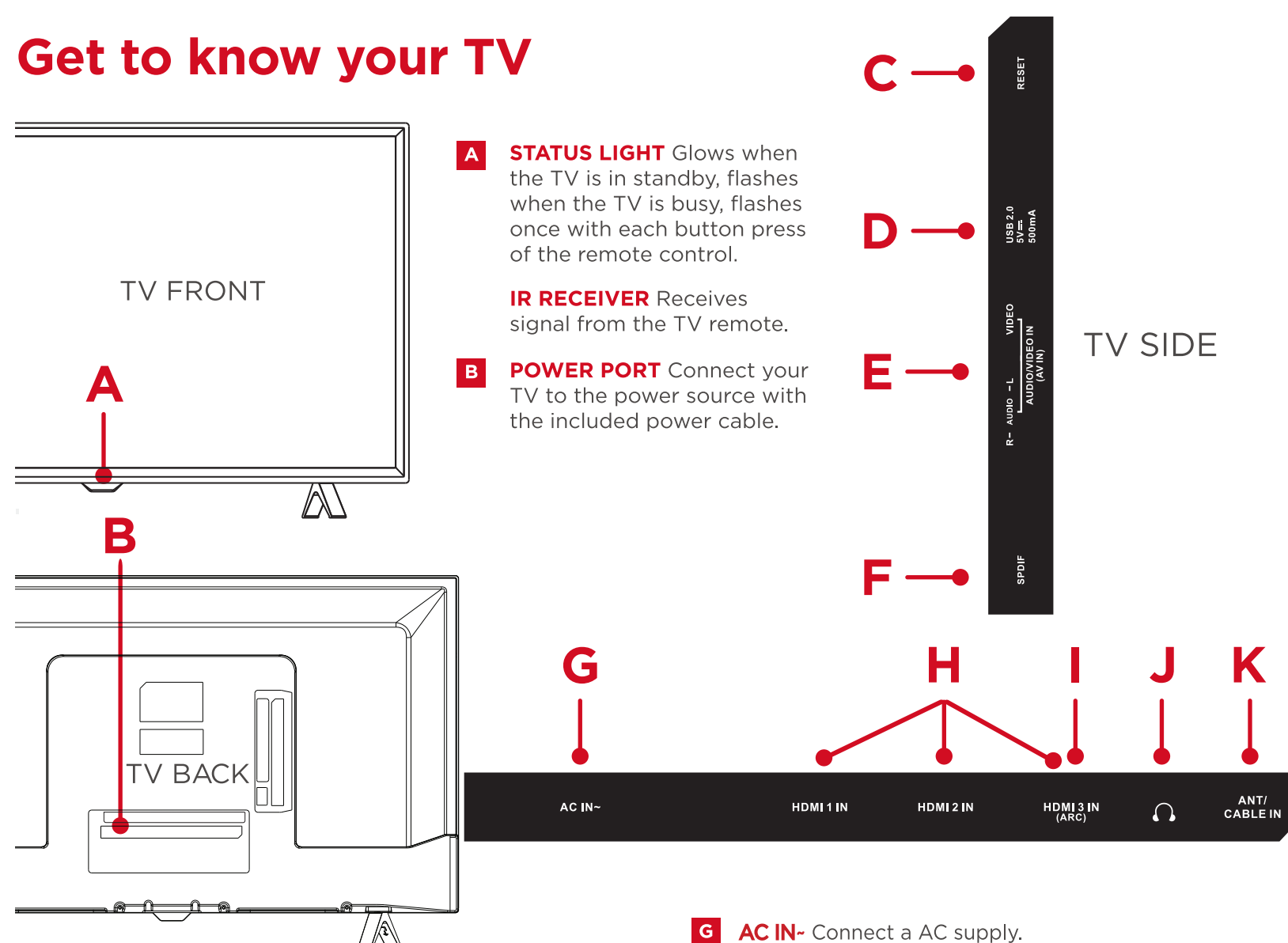
Continue using the remote to personalize your Home screen and channel line-up, stream movies, and so much more.

If you have an antenna or cable connected, just click the tuner tile to watch broadcast TV channels. The fun has just begun!



**Your Roku account:** During Guided Setup, you'll be prompted to create your Roku account online at [roku.com/link](http://roku.com/link). Your TV will generate a unique code that links your TV to your new account. Roku accounts are free, and while a valid credit card number is required to create your account, rest assured you will only be charged if you authorize purchases of apps and games from the Roku Channel Store.

## Get to know your TV



**A STATUS LIGHT** Glows when the TV is in standby, flashes when the TV is busy, flashes once with each button press of the remote control.

**IR RECEIVER** Receives signal from the TV remote.

**B POWER PORT** Connect your TV to the power source with the included power cable.

**G AC IN-** Connect a AC supply.

**H 3 HDMI PORTS** Connect cable box, Blu-ray player, gaming console, or other devices to your TV using HDMI cables.

**I HDMI ARC PORT** Connect HDMI ARC (audio return channel) capable audio devices like sound bars or AV receivers.

**J HEADPHONE OUT** Connect headphones or other external speakers.

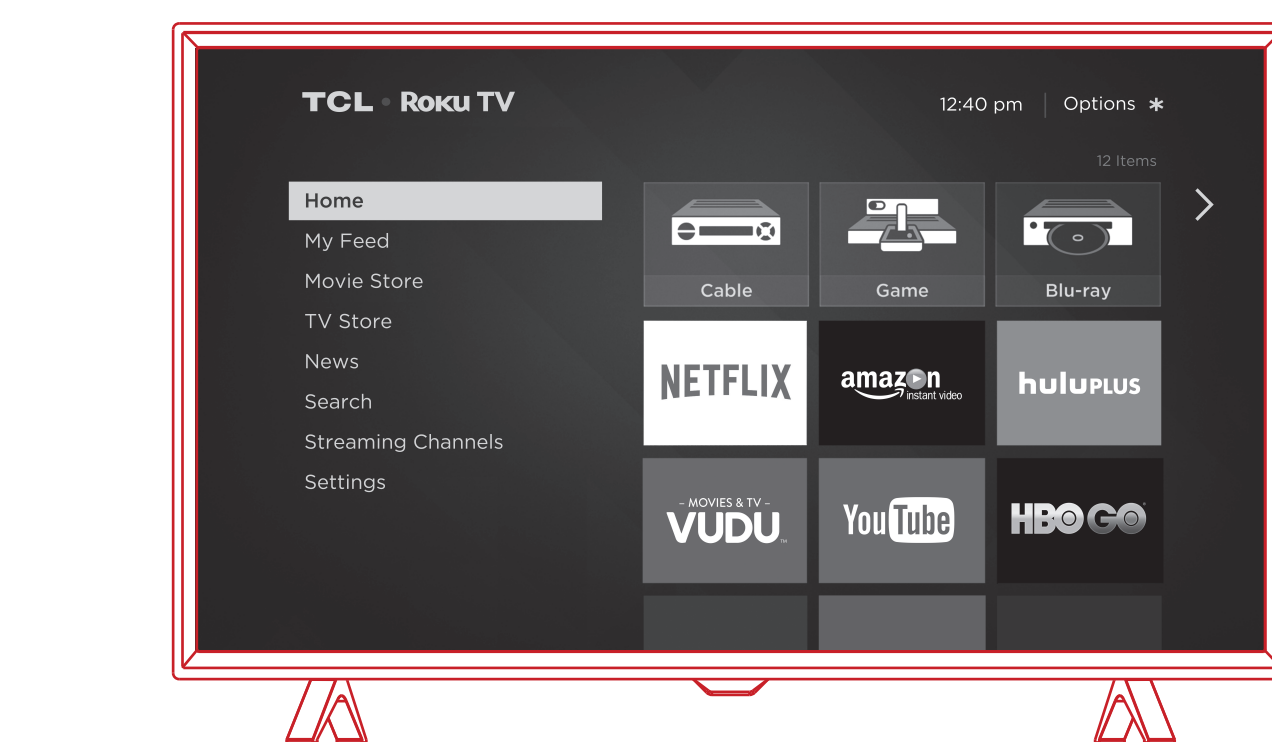
**K ANTENNA/CABLE IN** Connect an outdoor VHF/UHF antenna or Cable TV feed.

**C RESET BUTTON** Press and hold for factory reset. Careful, you will lose all your settings!

**D USB PORT** Connect a USB device for browsing photos, music and movies.

**E COMPOSITE AV IN** If your device isn't able to connect using HDMI®, connect to your TV using standard red/white/yellow cables.

**F SPDIF (DIGITAL AUDIO OUT)** Connect an optical cable to an external digital audio system.



## Connecting brings out your TV's full potential!

### Make any night a movie night

More than 35,000 movies to choose from, across all major streaming movie channels like Netflix, Amazon Instant Video, Redbox Instant, VUDU, and more.\*

### Get in the groove

Stream music from one of 85 music channels like Pandora, VEVO and Spotify. Access your entire MP3 collection instantly with Amazon Cloud Player or the Roku Media Player.

### Rule the Watercooler

Binge on the most buzzworthy shows on streaming channels like FOXNOW, HBO GO, Hulu Plus and Netflix. Live stream your sports team with the biggest selection of streaming sports packages out there.

### Enjoy \$100+ in FREE trials

Your TCL • Roku TV comes loaded with special offers, including 30 day free trials from popular streaming channels like Amazon Instant Video, Netflix, Redbox Instant, Spotify and more.

## Troubleshooting

Having trouble completing the guided setup? Don't worry, it's usually an easy fix.

### If you cannot see a picture on your TV

- Make sure your TV and the device you want to watch (cable box, Blu-ray player, game console, etc.) are turned on and plugged into a working wall outlet.
- Make sure your power cable is connected.

### If you cannot connect to your wireless home network during guided setup

- Make sure the correct wireless network name is selected.
- Make sure the wireless network password is correctly entered (password is case sensitive).
- Improve wireless signal by rotating the router slightly (even a few inches can help).

### If you cannot hear sound

- Make sure TV volume is turned up and not on mute.
- Try only the TV speakers by disconnecting any connection to audio devices (like headphones or audio video receivers).

### If the TV remote control isn't working

- Remove any obstruction and point the remote at the TV's IR receiver (see Get to know your TV).
- Try a fresh set of batteries.
- If the status light on the front of your TV flashes once each time you press a remote button, the problem is not with the remote. Unplug the TV and plug it back in.

## Need more help?

[www.TCLUSA.com/support](http://www.TCLUSA.com/support)

(US) 877-300-8837 (AK, HI, PR) 877-800-1269

## TCL • Roku TV

Copyright © 2014 by Roku, Inc. All rights reserved. Roku TV and the Roku logo are owned by Roku, Inc. TCL and the TCL logo are owned by TTE Technology, Inc. Other brand and product names are the trademarks or registered trademarks of their respective owners.

