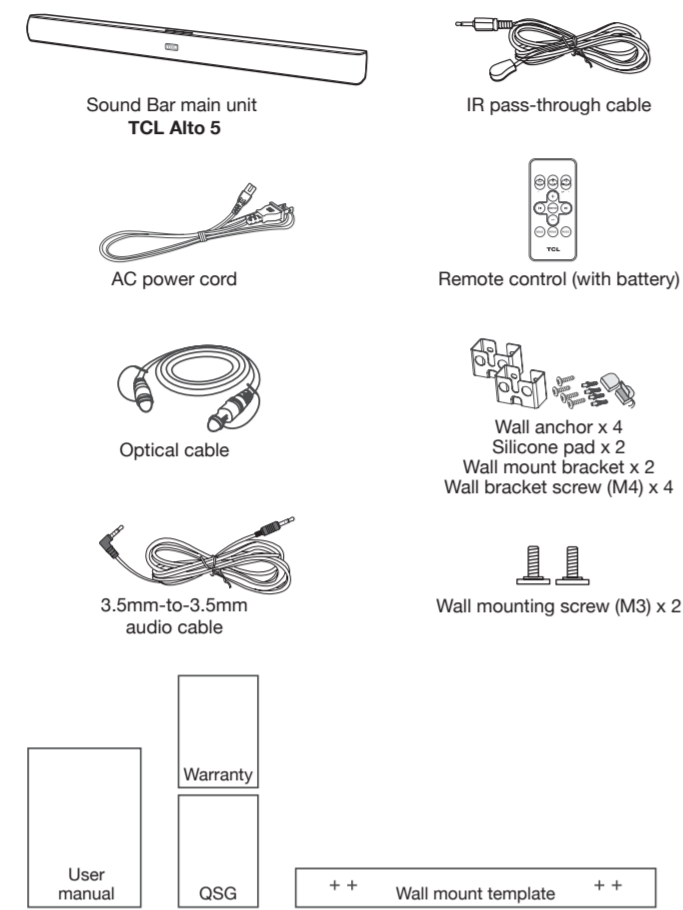


TCL

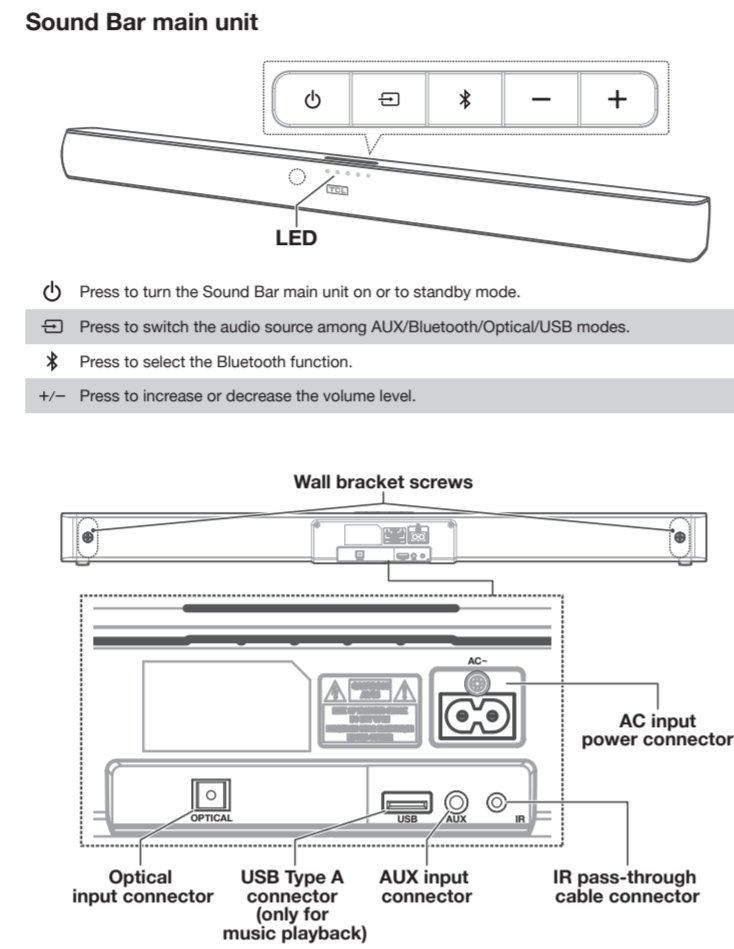
2.0 Channel Home Theater Sound Bar
Alto 5

Quick start guide

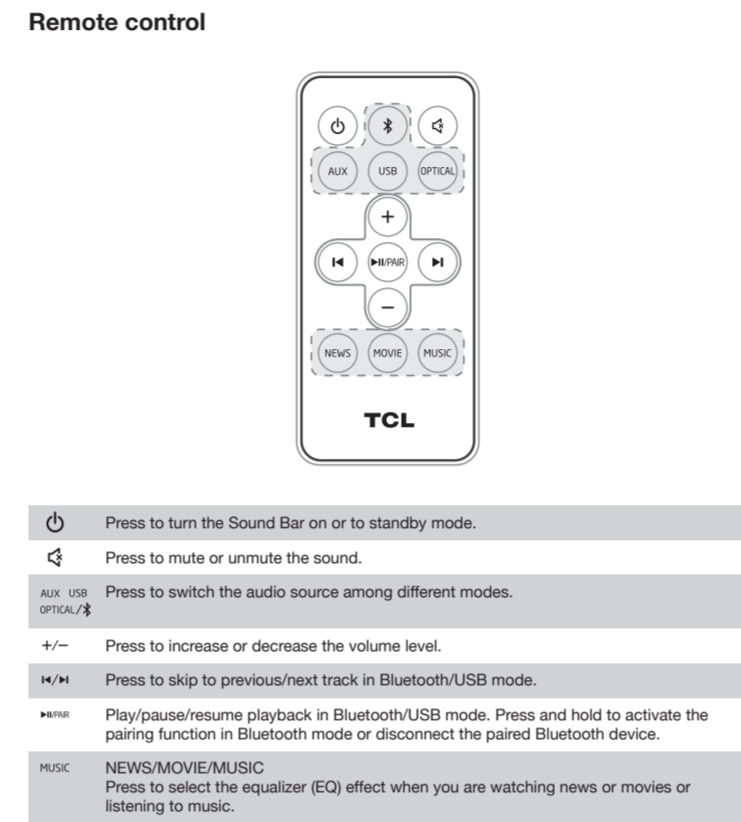
1. What's in the box



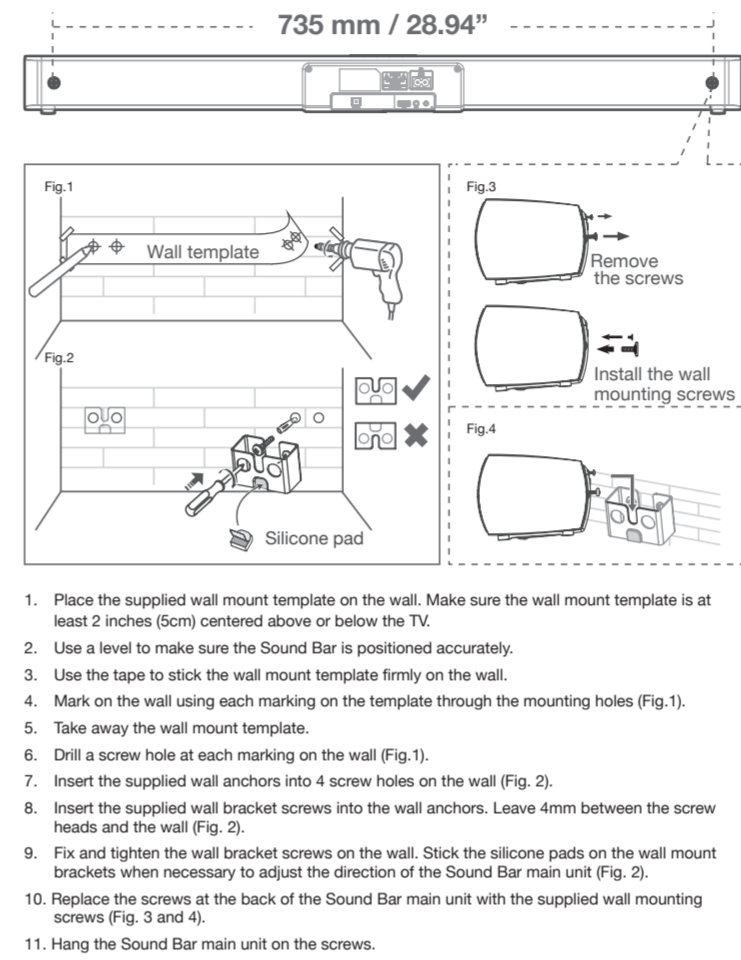
2a Overview



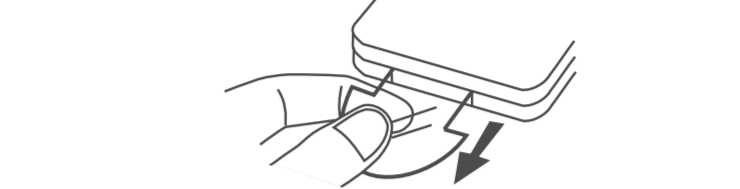
2b Overview



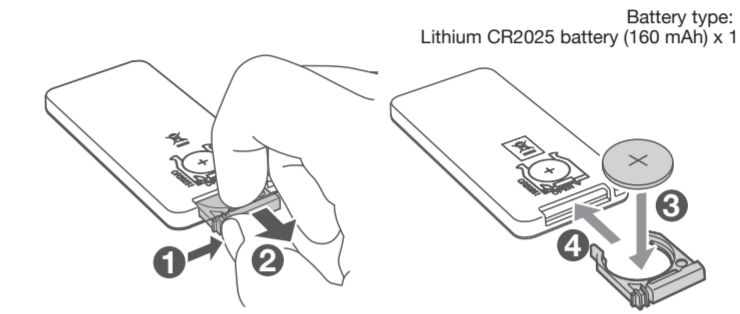
3. Wall mount



4a. Activate the remote control



4b. Replace the remote control battery



DO NOT RETURN TO STORE

WE ARE READY TO HELP contact us first with any questions

TCL SUPPORT:
www.tclusa.com/support or
www.tclcanada.com/support
1-877-300-9223

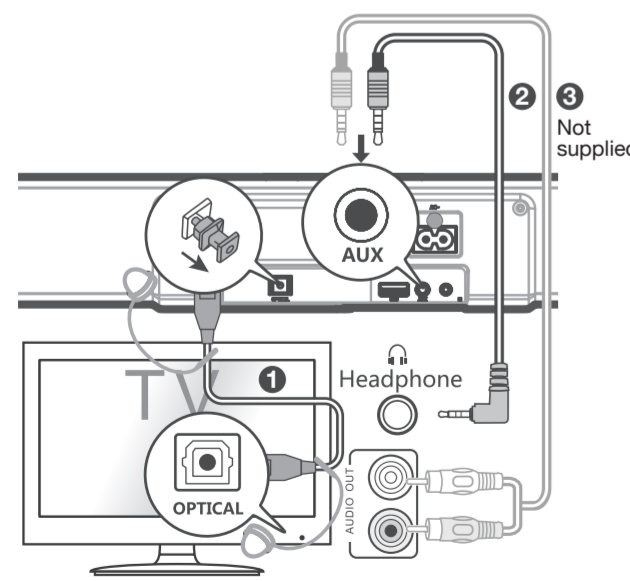
TAKE CARE WHEN REMOVING THE SOUNDBAR

Copyright © 2019 TCL. All rights reserved.
TSS000_US_EN_QSG_V2.0

Bluetooth DOLBY AUDIO

5a. Connect

Please Use one of the following options to connect the sound bar to the TV:
1. Optical cable (Supplied), or
2. 3.5mm – 3.5mm audio cable (supplied), or
3. RCA-to-3.5mm cable (not supplied)



5b. Connect

Power supply

Connecting to TCL Roku TV via Optical:

- Connect the supplied Toslink cable to the optical port on the TV and the other end of the cable to the sound bar.
- Connect power cord to sound bar.
- Power on Sound bar.
- Navigate to the Home screen of your TCL Roku TV.
- Please follow navigation below to set up Optical:
 - Settings > Audio > TV Speakers > Uncheck to disable TV speakers. Note this step still needs to be done if sound can be heard from sound bar already.
- For the best experience we recommend setting the S/PDIF and ARC to "PCM – Stereo"

5c. Connect

IR pass-through cable

If the sound bar blocks your TV from being controlled by the TV remote, please use the supplied IR pass through cable. Connect one end of the cable (as illustrated in the picture below) to the sound bar and place the semi-opaque end of the cable under the TV IR sensor. We recommend peeling the sticker under the head of the IR cable, and stick it to the surface underneath the TV. The opaque side of the sensor should be facing the IR sensor of the TV.

6. Pairing

Bluetooth device

- Press Power.
- Press Bluetooth. The blue LED flashes slowly. The Sound Bar is ready to pair.
- Power on your Bluetooth device and activate its Bluetooth function.
- Select **TCL Alto 5**. You hear distinct double beep sounds. The blue LED remains on solidly when pairing is successful.

7a. Use

LED behaviors under different source mode

Sound Bar status	LED indicators
in standby mode	The red LED is on solidly.
in AUX mode	The green LED is on solidly.
in Bluetooth mode ready to pair	The blue LED is on solidly. The blue LED flashes slowly.
pairing in progress	The blue LED flashes quickly.
in optical mode	The orange LED is on solidly.
in USB mode	The white LED is on solidly.

7b. Use

Remote sound functions

Operation	LED indicators
+/-	The white LED flashes quickly and goes back to the source LED.
Mute	The red LED keeps flashing.
Source	The red LED flashes and goes back to the source LED.
MOVIE	The white LED flashes once.
MUSIC	The green LED flashes once.
NEWS	The orange LED flashes once.

7c. Use

Use the USB device for music playback

Operation	LED indicators
Listen to music.	The white LED is on.
Press MUTE to pause the music.	The white LED is on solidly.
Press < or > to skip to the previous/next track	The white LED is on solidly.