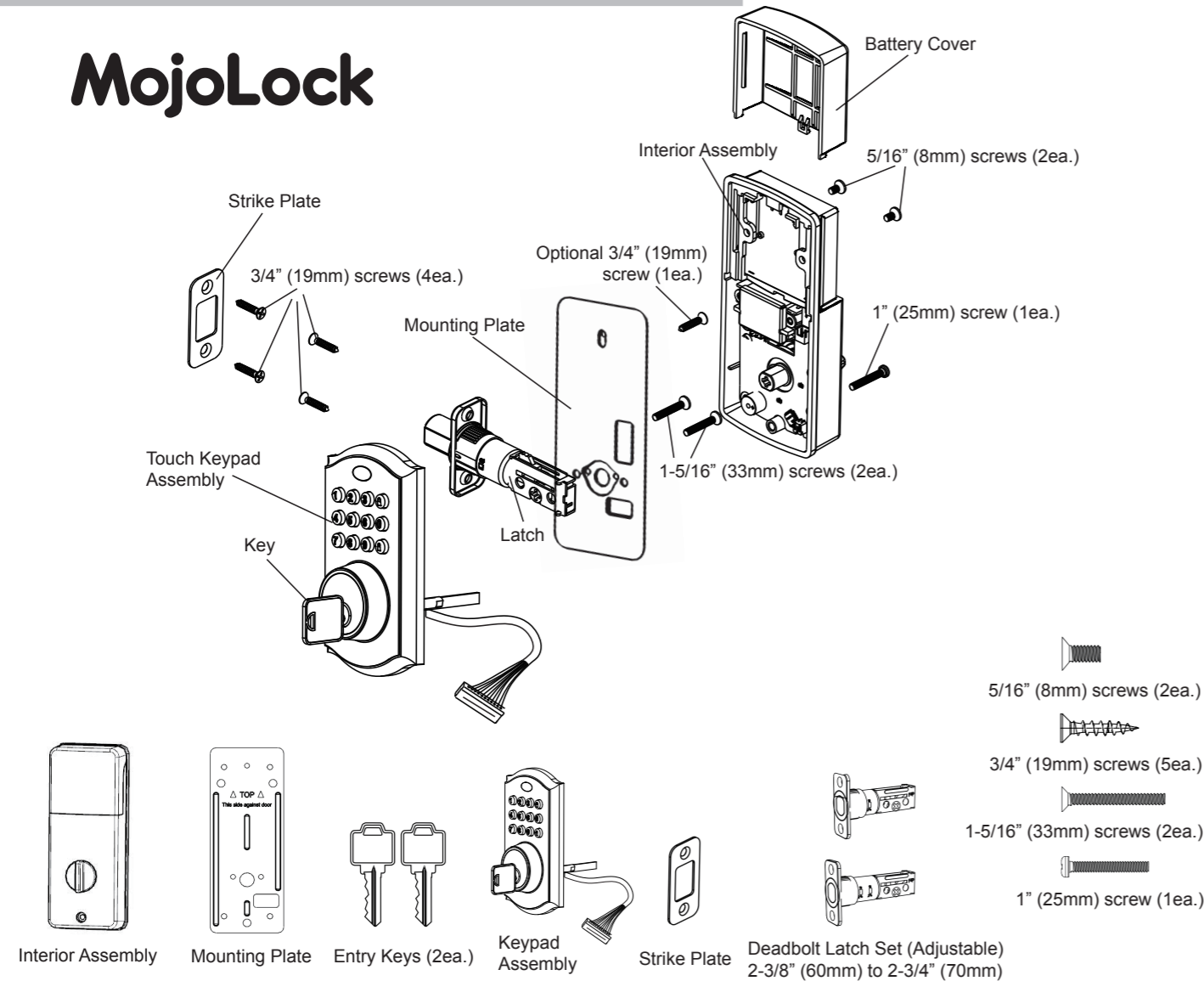


Installation Instructions

MojoLock



1. Tools Required

Tools required for installation on doors that require drilling:

- Drill
- Pencil
- 1" (25mm) Drill Bit
- Chisel
- Philips Head Screwdriver
- Tape Measure
- 2-1/8" (54mm) Drill Hole Saw
- 1/16" (2mm) Drill Bit
- Hammer

2. Drilling Hole in Door

- Note:**
- Please read and understand this entire manual before attempting to assemble, operate, or install.
 - Do not use electric screwdriver, only hand tighten screws with a Phillips Head screwdriver.
 - DO NOT OVER TIGHTEN SCREWS.
 - If your door has pre-drilled holes, skip to step 3c.

1. Mark Door for Drilling

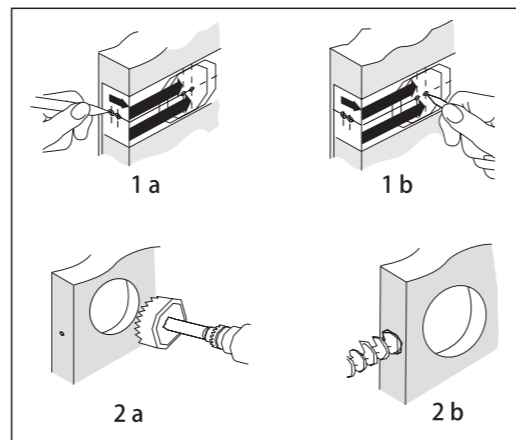
- Start 36" from floor. Fold and apply template to high edge of door.
- Mark center hole on door face through guide on template for 2-3/8" (60mm) or 2-3/4" (70mm) backset.

2. Drill Holes

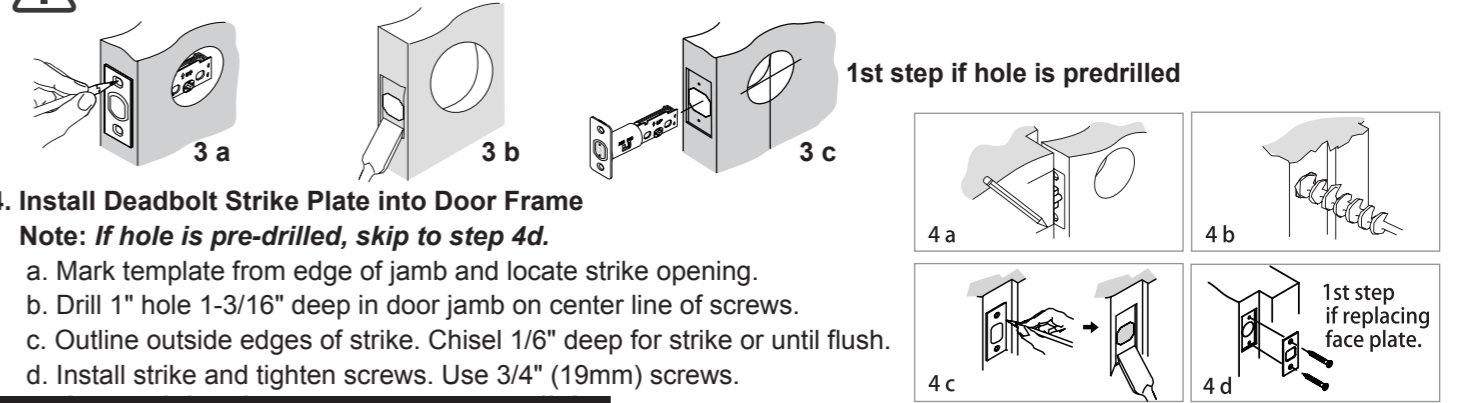
- Drill 2-1/8" hole through door face as marked for lock set.
- Drill 1" hole in center of door edge for latch.

3. Mark the Jamb Hole Location

- Insert latch in hole, keeping it parallel to face of door. Mark outline and remove latch.
- Chisel 1/8" deep or until latch face is flush with door edge.
- Insert latch and tighten screws.



Note: To drive in latch, drill hole size indicated on template and press latch until it is flush with door edge.



4. Install Deadbolt Strike Plate into Door Frame

Note: If hole is pre-drilled, skip to step 4d.

- Mark template from edge of jamb and locate strike opening.
- Drill 1" hole 1-3/16" deep in door jamb on center line of screws.
- Outline outside edges of strike. Chisel 1/6" deep for strike or until flush.
- Install strike and tighten screws. Use 3/4" (19mm) screws.

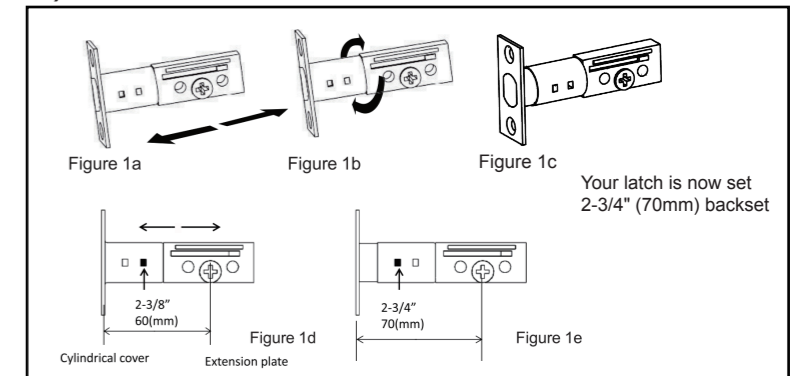
3. Adjusting Deadbolt Latch Set

Note: Deadbolt Latch Set is shipped with the backset set at 2-3/8" (60mm). Backset is the distance between edge of the door and the center of the lock. Measure the backset on door to confirm before installation.

Note: Do not extend Cylindrical Cover past 2-3/4" (70mm)

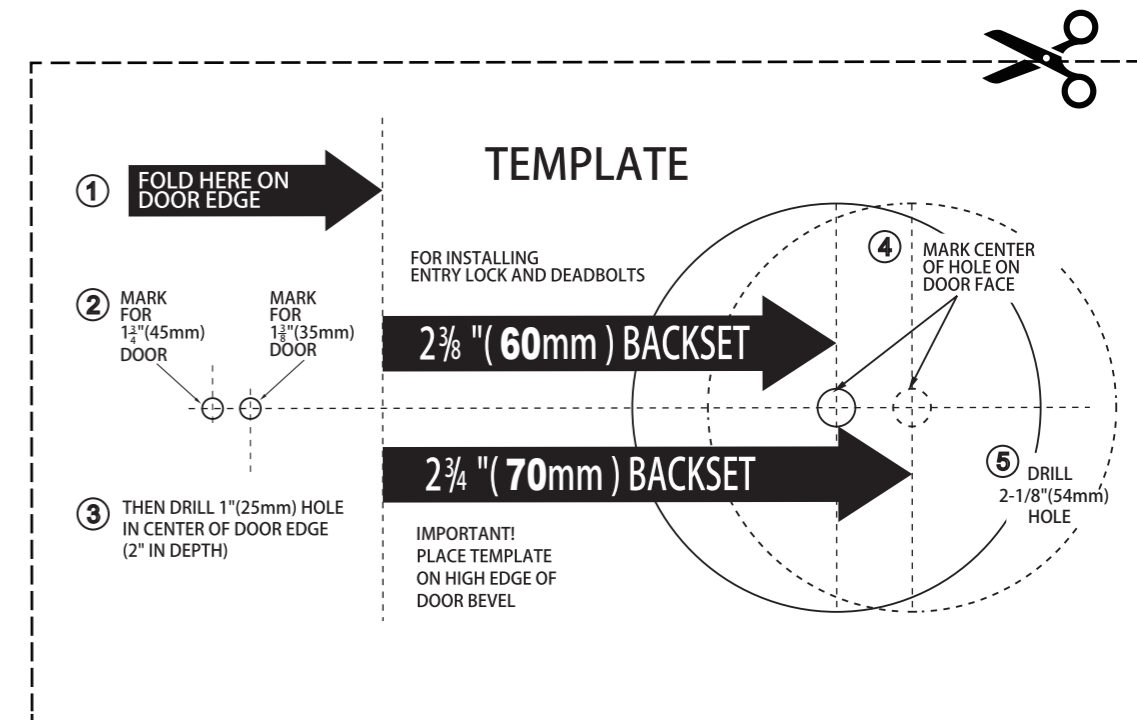
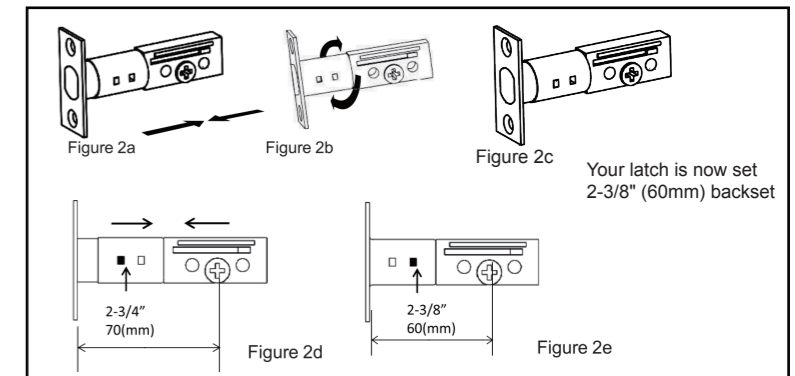
1. To convert FROM 2-3/8" (60mm) backset TO 2-3/4" (70mm) backset:

- Hold latch with numbers facing forward and thumb pressing on the bolt (Figure 1a).
- Rotate the cylinder cover clockwise (Figure 1b).
- Pull and twist the extension plate all the way out (Figure 1c).
- Rotate the cylinder cover counter-clockwise so that the marking aligns with the 2-3/4" (70mm) position indicator (Figure 1d).



2. To convert FROM 2-3/4" (70mm) backset TO 2-3/8" (60mm) backset:

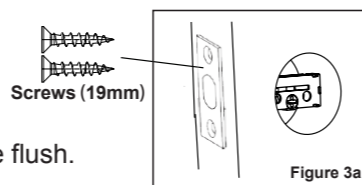
- Hold latch with numbers facing forward and thumb pressing on the bolt (Figure 2a).
- Rotate the cylinder cover clockwise (Figure 2b).
- Push and twist the extension plate all the way in (Figure 2c).
- Rotate the cylinder cover counter-clockwise so that the marking aligns with the 2-3/8" (60mm) position indicator (Figure 2d).



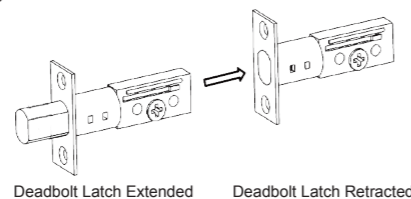
4. Installing Deadbolt Latch Set

3. Installing the Deadbolt Latch Set (Philips Head Screwdriver Needed)

- Insert Deadbolt Latch Set into door edge hole with the word "UP" and the arrow on the extension plate facing UP. Cross-shaped spindle connector will be at the bottom of the Deadbolt Latch Set (Figure 3a).
- Make sure the face plate sits flush with the door. Do not force the latch into the mortise flush. Chisel out excess material if necessary for a flush fit.
- Using two 3/4" (19mm) screws provided, screw the latch into the door with a hand-held screwdriver. DO NOT OVER TIGHTEN.



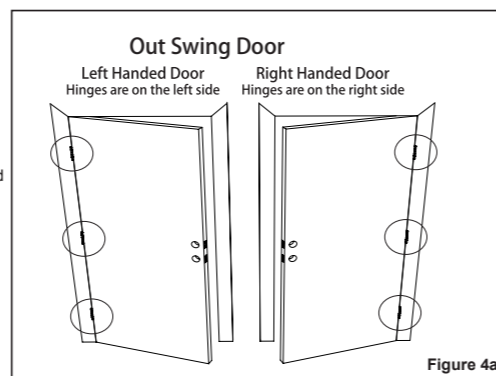
⚠ Note: Deadbolt Latch must be retracted when installing.



4. Identifying Your Door Handling

- If the hinges are on the left, your door is Left Handed (Figure 4a).
- If the hinges are on the right, your door is Right Handed (Figure 4b).

⚠ Note: Identify while you are standing outside the door.



5. Preparing the Interior Assembly

5. Unpack the Interior Assembly

- Remove the battery cover by sliding the cover upward.
- Locate the screws holding the Mounting Plate to the Interior Assembly. Remove the screws to release the Mounting Plate from the Interior Assembly.

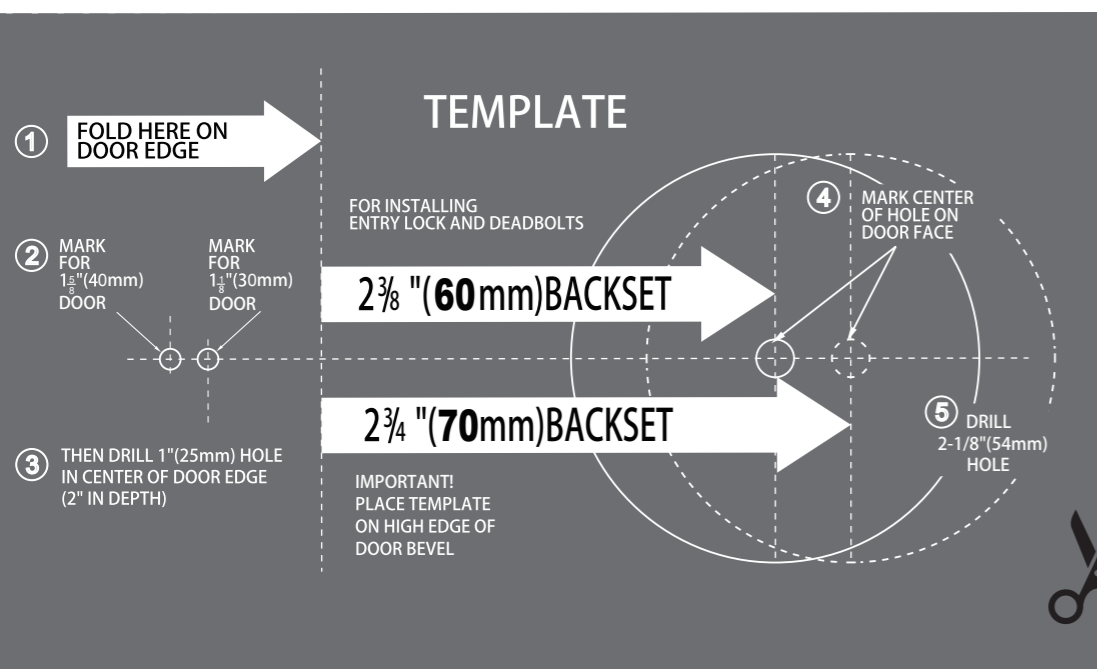
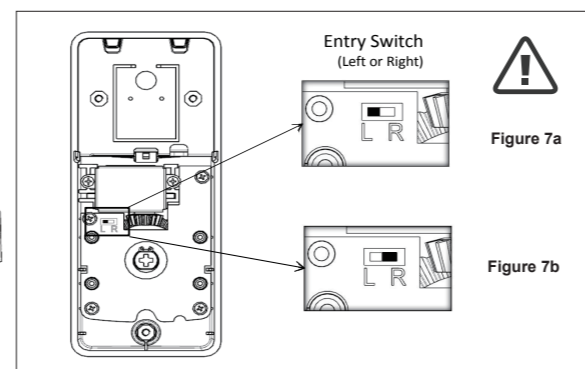
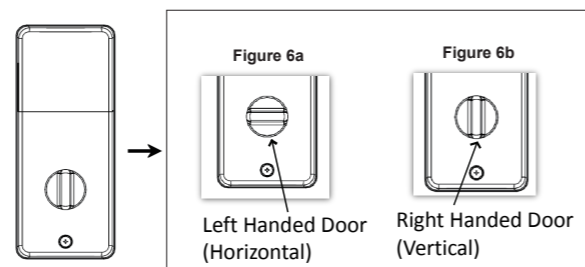
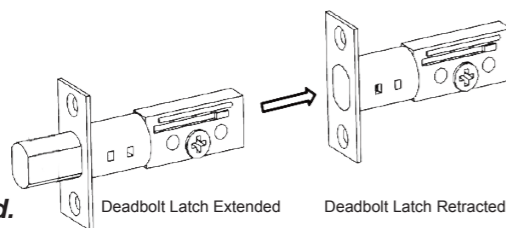
6. For Left-Handed Doors

The interior knob goes in the horizontal position (Figure 6a). Gently move the switch to "L" (Figure 7a).

7. For Right-Handed Doors

The interior knob goes in the vertical position (Figure 6b). Gently move the switch to "R" (Figure 7b).

⚠ Note: Make sure the Deadbolt Latch is retracted.



6. Installing the Exterior Assembly

8. Installing the Exterior Assembly

Work with the door OPEN for easy access.

- Unpack the Exterior Assembly. Use care to not scratch the black circuit board during handling and installation.
- Check that the Rubber Gasket is properly seated on the Exterior Assembly (Figure 8a-b).
- Insert the Exterior Assembly onto the door with the Tail Piece going through the Deadbolt Latch Set cross-shaped spindle connector in the HORIZONTAL POSITION. Route the Control Wire through door over the Deadbolt Latch Set (Figure 8c).

⚠ Note: Tail Piece must be positioned horizontal

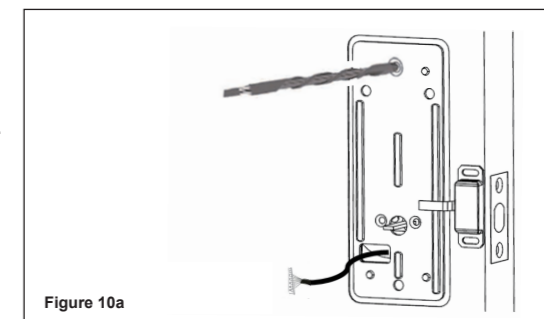
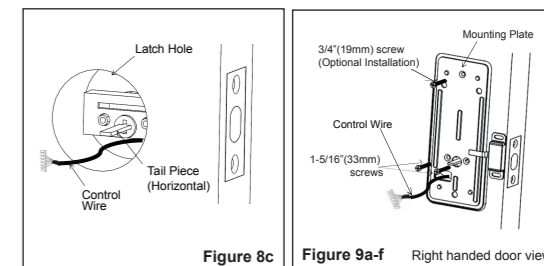
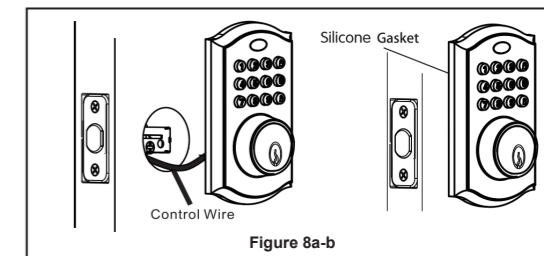
9. Securing the Exterior Assembly to the Door

- From the side marked "This side against door", route the Control Wire through the rectangular slot in the Mounting Plate (Figure 9a-f).
- Place Mounting Plate against door with Tail Piece passing through the center hole in the three hole set (Figure 9a-f).
- Secure the Mounting Plate to the Exterior Assembly using two 1-5/16" (33mm) screws (Figure 9a-f).
- Tighten with a hand-held Philips Head Screwdriver, leaving loosely connected (Figure 9a-f).
- Check that the Rubber Gasket is properly aligned, correct if necessary.
- Check vertical alignment of the lock (Figure 9a-f).
- Tighten securely with a hand-held Philips Head Screwdriver. DO NOT OVER TIGHTEN.

10. Optional Installation

- Using a 1/16" (2mm) drill bit, drill a pilot hole in your door using the Mounting Plate upper hole as a guide (Figure 10a).
- Insert one 3/4" (19mm) screw into newly drilled hole and tighten.

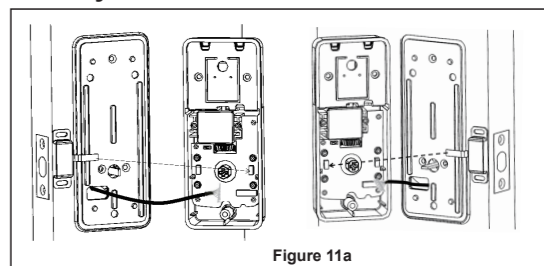
⚠ Note: Lock and unlock using the key to see if the Deadbolt Latch is opening and closing easily.



7. Installing the Interior Assembly

11. Attach the Control Wire and the Closed-Door Sensor to the Interior Assembly

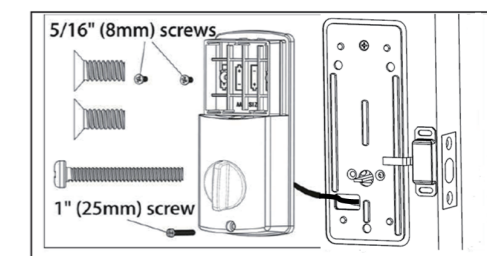
- Use care to attach the Control Wire male plug of the lock and the closed-door sensor to the Interior Assembly female socket connector (Figure 11a).
- For Left-Handed Doors, attach the Control Wire male plug of the closed-door sensor to the Left Interior Assembly female socket.
- For Right-Handed Doors, attach the Control Wire male plug of the closed-door sensor to the Right Interior Assembly female socket.



12. Attach the Interior Assembly to Door

- Position the Interior Assembly over the Tail Piece and push the Interior Assembly against the door (Figure 12a-b).
- Using two 5/16" (8mm) screws and one 1" (25mm) screw, attach the Interior Assembly to the Mounting Plate (Figure 12a-b). DO NOT OVER TIGHTEN.

⚠ Note: Lock and unlock using Interior Knob to see if the latch is opening and closing easily.



13. Installing Batteries

- Insert 4 AA high-quality Alkaline batteries into the Battery Compartment in the direction noted +/- on the Compartment. The Lock will beep 2 times, the keypad will illuminate blue, and the Light Indicator will flash green twice to signify that it has received power (Figure 13a).
- Slide the Battery Cover down into the track on the Interior Assembly to cover the batteries (Figure 13b).

⚠ Note: Do not touch Keypad until the blue light turns off. Do not use rechargeable batteries or non-alkaline batteries.

