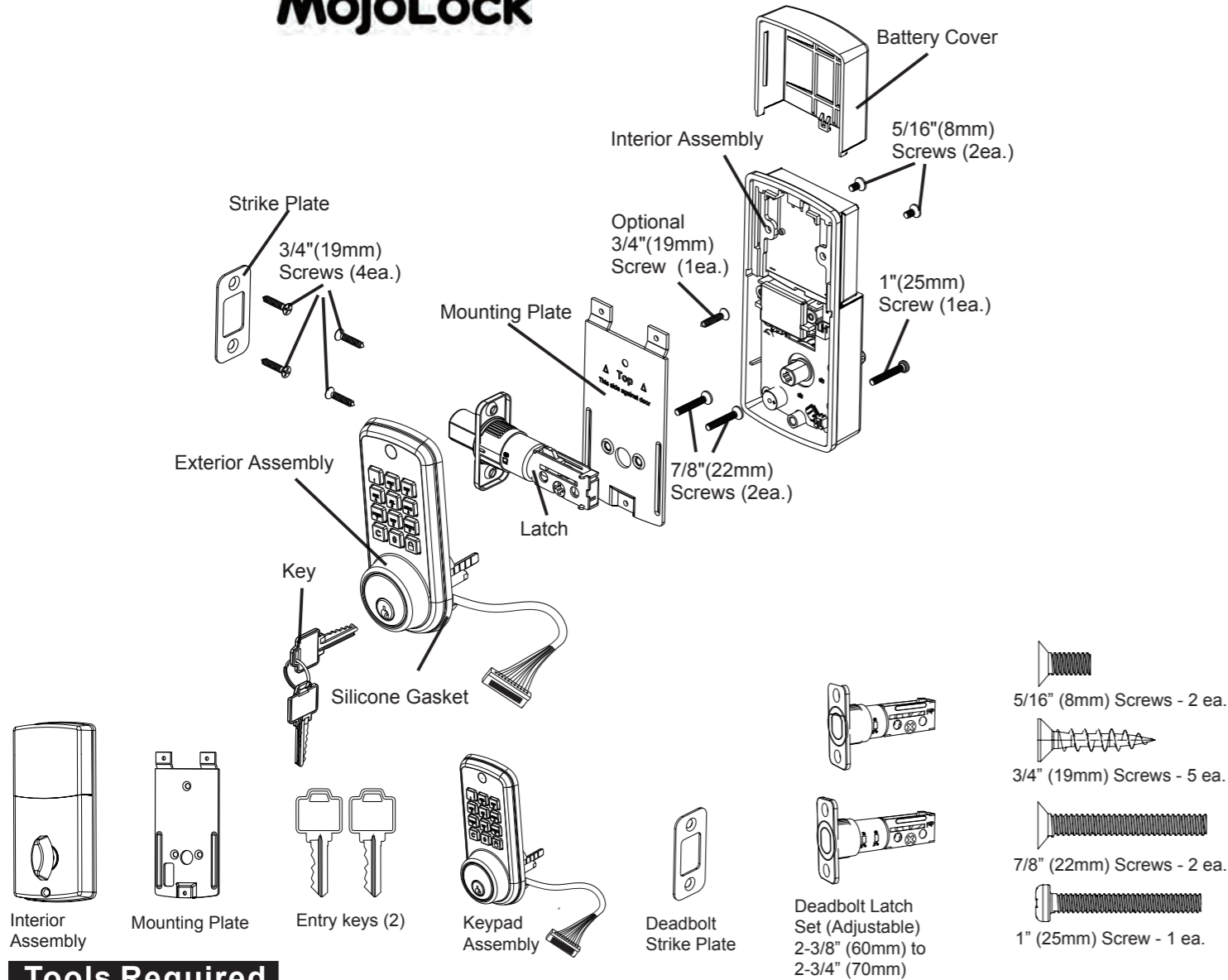


Installation Instructions

MojoLock



Tools Required

Tools Required for Installation **on Doors That Require Drilling:**

- Drill
- Pencil
- 1" (25mm) Drill Bit
- Chisel
- Phillips Head Screwdriver
- Tape Measure
- 2-1/8" (54mm) Drill Hole Saw
- 1/16" (2mm) Drill Bit
- Hammer

Drilling Hole in Door

Note: • Please read and understand this entire manual before attempting to assemble, operate, or install the product.

- Do not use electric screwdriver, only hand tighten screws with Phillips Head Screwdriver. **DO NOT OVER TIGHTEN SCREWS.**
- If your door has pre-drilled holes skip to step 3c.

1. Mark Door for Drilling.

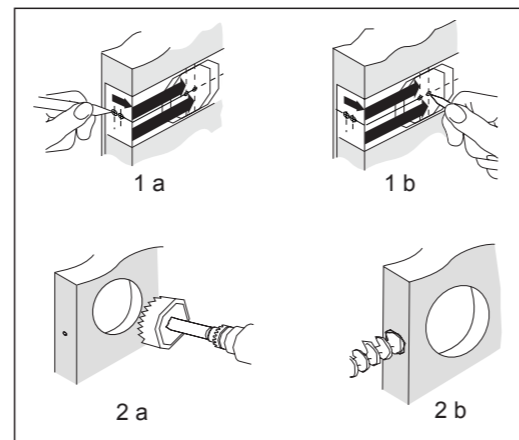
- a. Start 36" from floor. Fold and apply template to high edge of door.
- b. Mark center hole on door face through guide on template for 2-3/8" (60 mm) or 2-3/4" (70 mm) backset.

2. Drilling Holes.

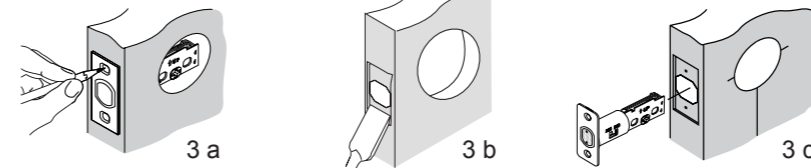
- a. Drill 2-1/8" hole through door face as marked for lock set.
- b. Drill 1" hole in center of door edge for latch.

3. Marking the Jamb Hole Location.

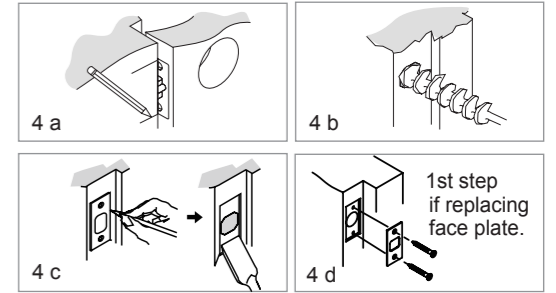
- a. Insert latch in hole keeping it parallel to face of door. Mark outline and remove latch.
- b. Chisel 1/8" deep or until latch face is flush with door edge.
- c. Insert latch and tighten screws.



Note: For drive in latch, drill hole size indicated on template and press latch until it is flush with door edge.



1st step if hole is pre-drilled.



4. Install Deadbolt Strike Plate into Door Frame.

Note: If hole is pre-drilled skip to step 4d.

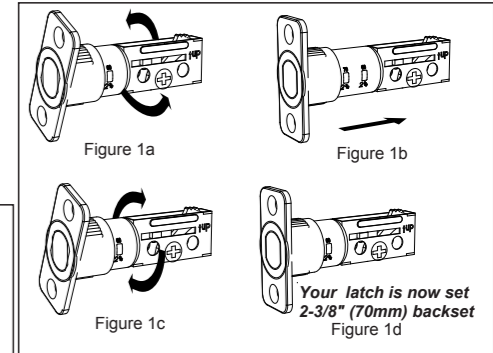
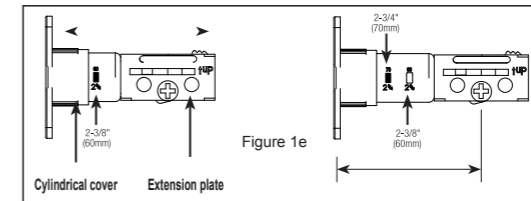
- a. Mark template from edge of jamb and locate strike opening.
- b. Drill 1" hole 1 3/16" deep in door jamb on center line of screws.
- c. Outline outside edges of strike. Chisel 1/8" deep for strike or until flush.
- d. Install strike and tighten screws (3/4" [19mm] Screws).

Adjusting Deadbolt Latch Set

NOTE: Deadbolt Latch Set is shipped with the backset set at 2-3/8" (60mm). Measure the backset (backset is distance between edge of the door and the center of Lock).

5. To convert from 2-3/8" (60mm) backset to 2-3/4" (70mm) backset.

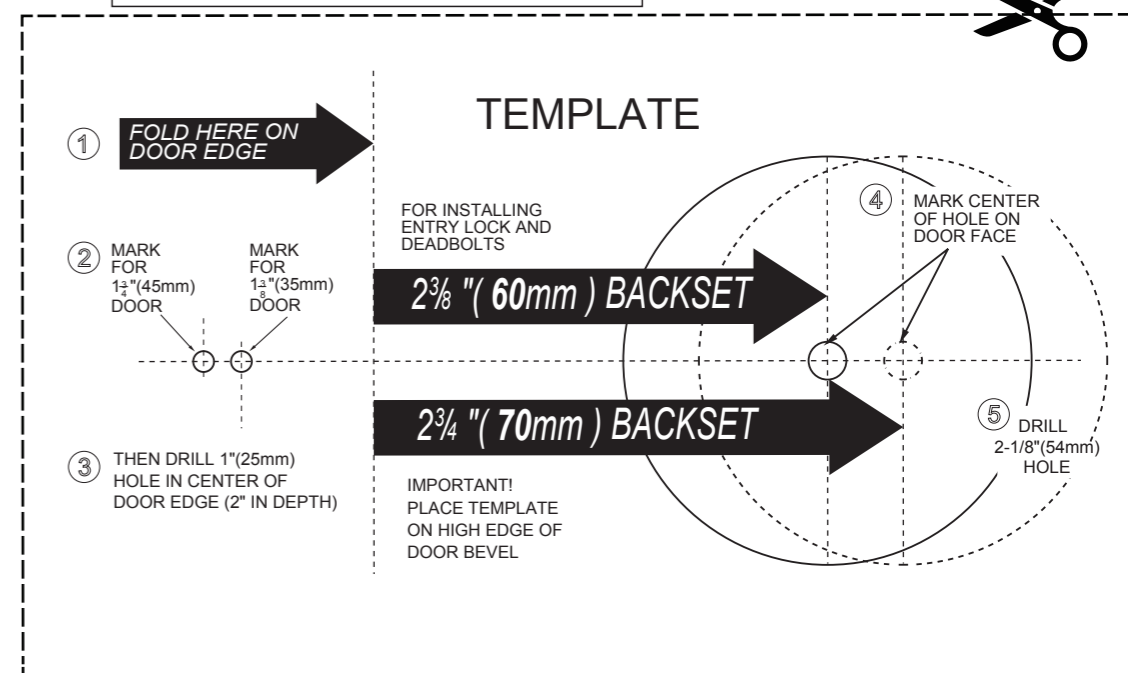
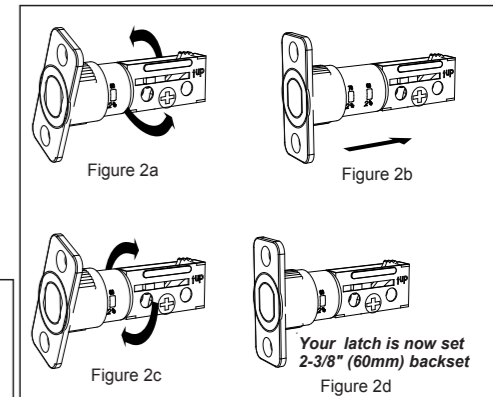
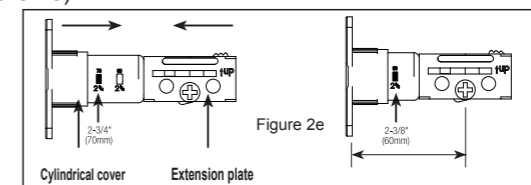
- a. Hold latch with numbers facing forward and thumb pressing on the bolt (Figure 1a 1b).
- b. Rotate the cylinder cover clockwise (Figure 1c).
- c. Pull and twist the extension plate all the way out (Figure 1d).
- d. Rotate the cylinder cover counter clockwise so that the marking aligns with the 2-3/4" (70mm) position indicator (Figure 1e).



NOTE: Do not extend Cylindrical Cover past 2-3/4" (70mm).

6. To convert from 2-3/4" (70mm) backset to 2-3/8" (60mm) backset.

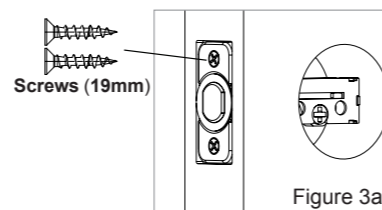
- a. Hold latch with numbers facing forward and thumb pressing on the bolt (Figure 2a and Figure 2b).
- b. Rotate the cylinder cover clockwise (Figure 2c).
- c. Push and twist the extension plate all the way in (Figure 2d).
- d. Rotate the cylinder cover counter clockwise so that the marking aligns with the 2-3/8" (60mm) position indicator (Figure 2e).



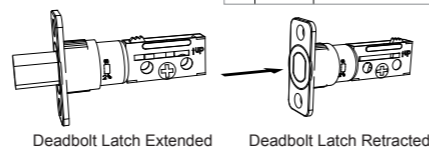
Installing Deadbolt Latch Set

7. Installing the Deadbolt Latch Set (need Phillips Head Screwdriver).

- Insert Deadbolt Latch Set into door edge hole with the word "UP" and the arrow on the extension plate facing UP. Cross shaped spindle connector will be at the bottom of the Deadbolt Latch Set (Figure 3a).
- Make sure the face plate sits flush with the door. Do not force the latch into the mortise flush. Chisel out out excess material if necessary for a flush fit.
- Using two 3/4" (19mm) screws provided, screw the latch into the door with a hand held screwdriver. **DO NOT OVER TIGHTEN.**



NOTE: Deadbolt Latch must be retracted when installing.

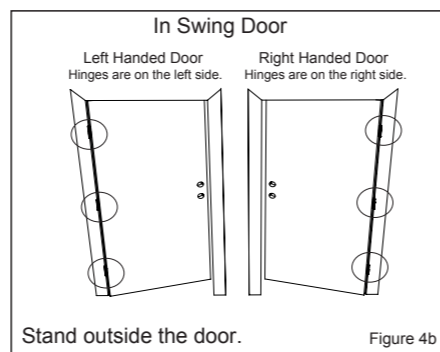
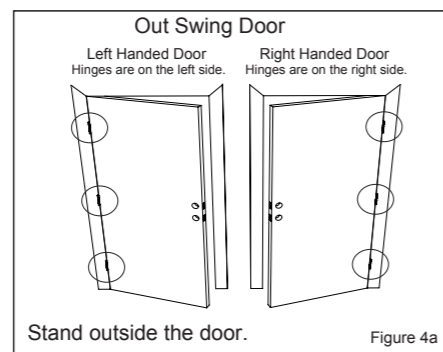


8. Identifying Your Door Handing

- If the hinges are on the left your door is Left Handed (Figure 4a and 4b).
- If the hinges are on the right your door is Right Handed (Figure 4a and 4b).



NOTE: You are standing outside the door.



Preparing the Interior Assembly

9. Unpack the Interior Assembly.

- Remove the Battery Cover by sliding the cover upward.
- Locate the screws holding the Mounting Plate to the Interior Assembly. Remove the screws to release the Mounting Plate from the Interior Assembly.

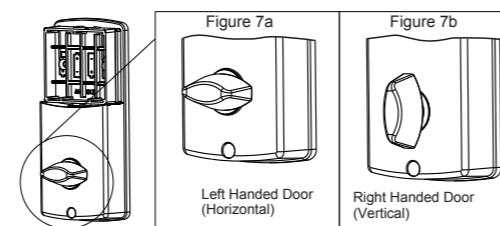
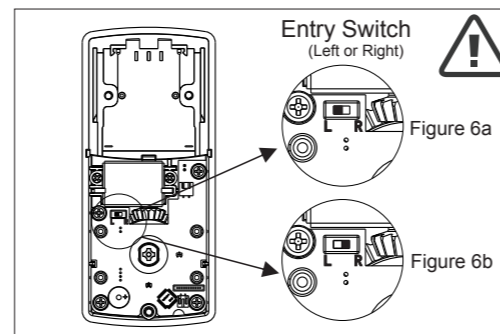
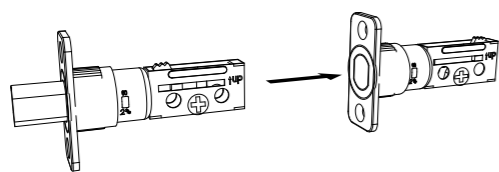
10. Set the entry switch for left or right handed door.

- Gently move the switch to "L" for Left Handed Door (Figure 6a).
- Gently move the Switch to "R" for Right Handed Door (Figure 6b).

11. Set the interior knob position for left or right hand hinged doors.

- The Interior Knob goes in the Horizontal position for Left Handed Doors (Figure 7a).
- The Interior Knob goes in the Vertical position for Right Handed Doors (Figure 7b).

NOTE: Make sure deadbolt Latch is retracted.



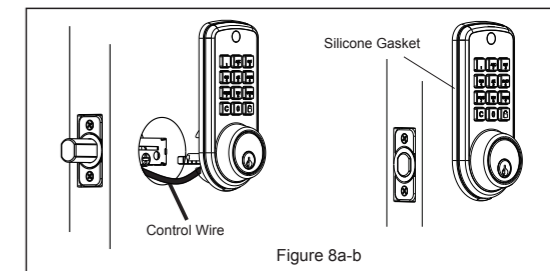
Installing Exterior Assembly

12. Installing the Exterior Assembly.

(Work with the Door Open for easy access.)

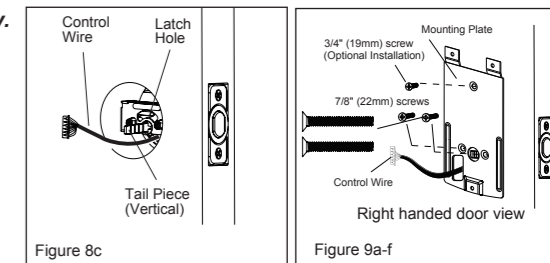
- Unpack the Exterior Assembly. Use care to not scratch the green circuit board during handling and installation.
- Check that the Rubber Gasket is properly seated on the Exterior Assembly (Figure 8a-b).
- Insert the Exterior Assembly onto the door with the Tail Piece going through the Deadbolt Latch Set cross shaped spindle connector in the VERTICAL POSITION. Route the Control Wire through door over the Deadbolt Latch Set (Figure 8c).

NOTE: Tail Piece must be positioned vertically.



13. Securing the exterior assembly to the door.

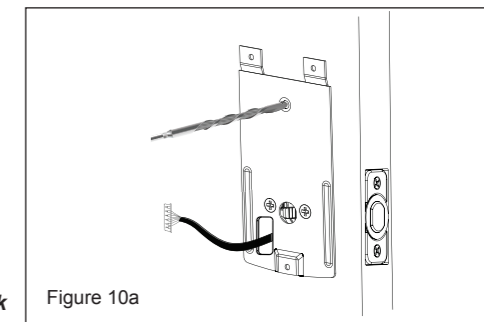
- From the side marked "This side against door", route the Control Wire through the rectangular slot in the Mounting Plate rectangular slot in the the Mounting Plate.(Figure 9a-f).
- Place Mounting Plate against door with Tail Piece passing through the center hole in the three hole set (Figure 9a-f).
- Secure the Mounting Plate to the Exterior Assembly using two 1-1/8" (28mm) Screws.
- Hand tighten with a Phillips Head Screwdriver leaving loosely connected (Figure 9a-f).
- Check that the Rubber Gasket is properly aligned and correct as necessary.
- Check vertical alignment of the lock (Figure 9a-f).
- Tighten securely with a hand held Phillips Head Screwdriver. **DO NOT OVER TIGHTEN.**



14. Optional Installation.

- Using a 1/16" (2mm) drill bit, drill a pilot hole in your door using the Mounting Plate upper hole as a guide (Figure 10a).
- Insert one 3/4" (19mm) screw and tighten.

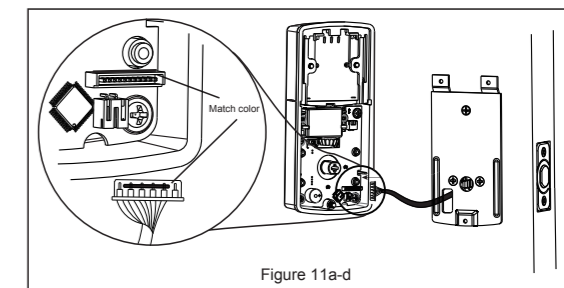
NOTE: Lock and unlock using the key to see if the Deadbolt Latch is opening and closing easily.



Installing Interior Assembly

15. Attach the control wire to the interior assembly.

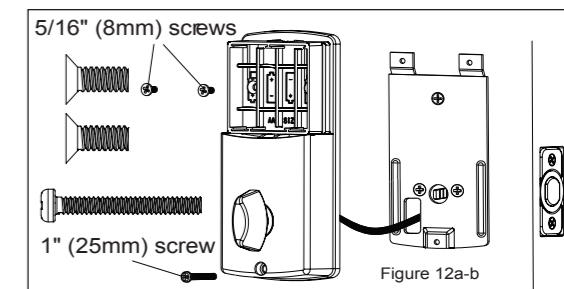
- Use care to attach the Control Wire male plug to the Interior Assembly female socket connector (Figure 11a-d).
- Do not force the Control Wire male plug into the Interior Assembly female socket connector (Figure 11a-d).
- The Control Wire male plug has two alignment tabs on the smooth side of the plug which is the top of the plug (Figure 11a-d).
- The Control Wire male plug is inserted with the smooth side up into the Interior Assembly female socket connector (Figure 11a-d).



16. Attach the interior assembly to door.

- Position the Interior Assembly over the Tail Piece and push the Interior Assembly against the door (Figure 12a-b).
- Using two 5/16" (8mm) screws and one 1" (25mm) screw, attach the Interior Assembly to the Mounting Plate. **DO NOT OVER TIGHTEN SCREWS** (Figure 12a-b).

NOTE: Lock and unlock using Interior Knob to see if the latch is opening and closing easily.

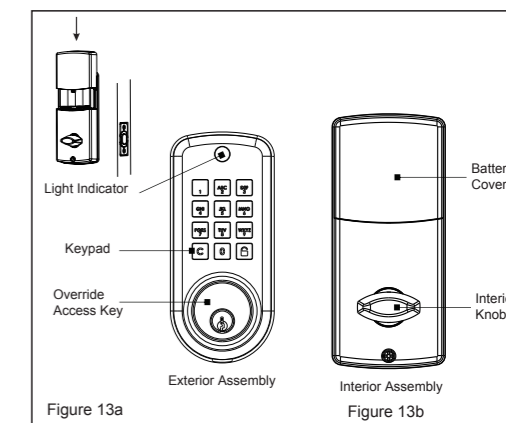


Installing Interior Assembly (CONT.)

17. Installing Batteries.

- Insert 4 AA high quality Alkaline batteries into the Battery Compartment in the direction noted +/- on the Compartment. The Lock will beep 2 times, the keypad will illuminate blue, and the Light Indicator will flash green twice to signify that it has received power (Figure 13a).
- Slide the Battery Cover down into the track on the Interior Assembly to cover the batteries (Figure 13b).

NOTE: Do not touch the Keypad until the blue light turns off. Do not use rechargeable batteries or non-alkaline batteries.



18. Testing Lock (With the Door Open).

- Test the Lock using the Interior Knob. The bolt should move smoothly.
- Test the lock using the Keypad. To lock press [lock icon] and then press "1234" [unlock icon].

