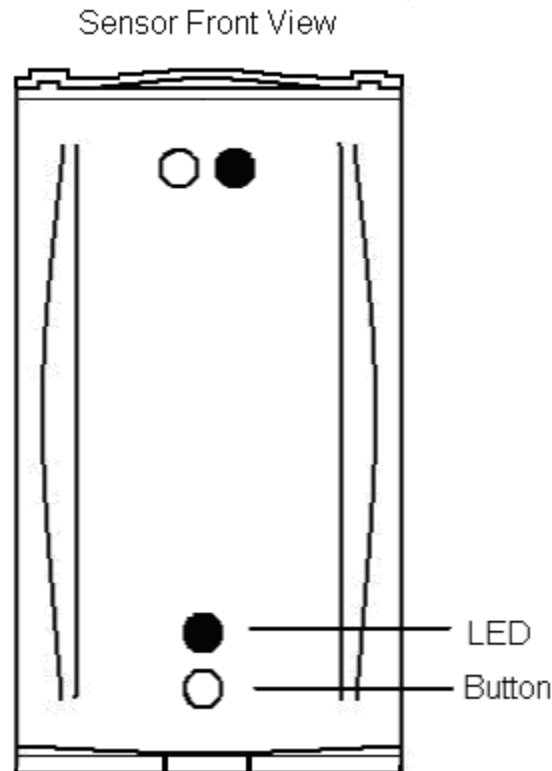


DBRF15-01 LCD/LED Status Description



LED Status (light on front of sensor)

When pushing the button once on either sensor, the LED will turn either green or red.

Green light: Indicates battery power is ok.

Red light: Indicates low battery.

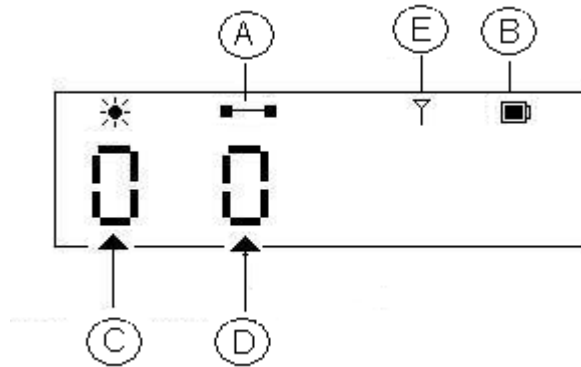
Pushing the receiver button a second time will cause the LED to turn orange. This is the setup screen.

Steady orange light: Indicates good signal strength from the transmitter sensor.


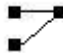
Blinking orange light: Indicates insufficient signal strength from the transmitter sensor.

No light: Indicates no infra-red signal present.



DBRF15-01 LCD/LED Status Description



A : Interference from another sensor.

-  : No Interference
-  : Interference from a third sensor.

B : Battery status

-  Indicates battery power is ok.
-  Indicates weak battery power.

C: Sunlight interference indicator

- 0: No interference
- 1 to 7: Interference from sunlight. 1 being weak to 7 being very strong.

D: Infrared signal strength. Sensor LED must be a steady orange light indicating good signal strength. A flashing orange light indicates poor/no signal.

- 0: No Signal
- 1 to 7: Signal Strength. 1 being very weak to 7 being very strong interference.

E: Static Indicator for transmission. Not used and does not change.