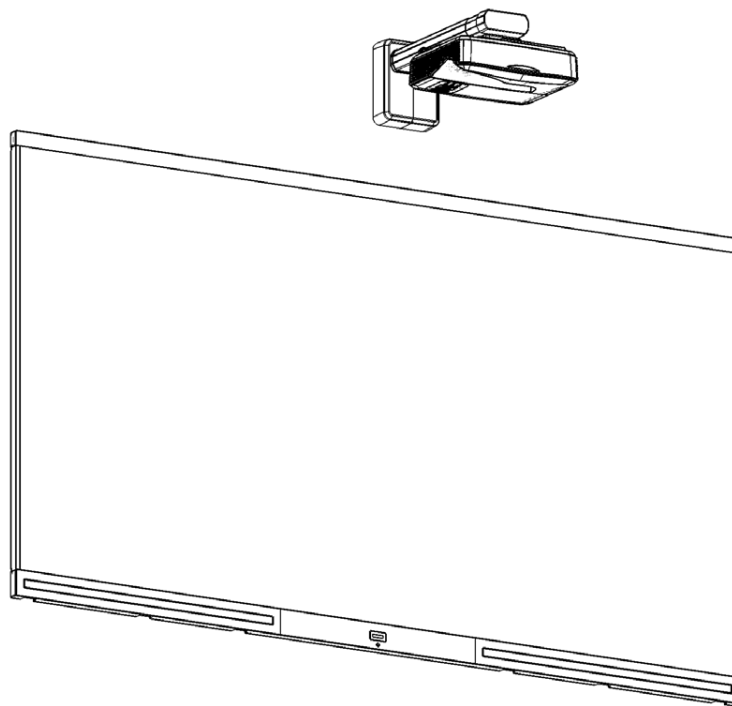




Nureva™ Wall System
WM408i



User manual

Contents

Touch panel	1
Touch panel features	1
Cleaning your touch panel	3
Wall mount adjustments	4
Projector connections	5
Control panel	6
Remote control	6
Projector on-screen display menu	7
Picture	8
Screen	10
Settings	11
Volume	12
Options	13
LAN	14
Source	15
Multimedia	16
Mobile display	16
Laptop display	17
Desktop display	17
USB storage display	18
Configuring multimedia display settings	18
RS232 commands	19
Commands set list	20
Wake-on-LAN (WOL) requirements	23
Crestron® room control	24
Web browser projector control	26
Projector information	26
LAN setting	27
Wi-Fi	27
Projector status and control	28
Email alert	29
Password setting	29
Video compatibility modes	30
VGA analog	30
VGA analog continued	30
HDMI digital	31
HDMI digital continued	31

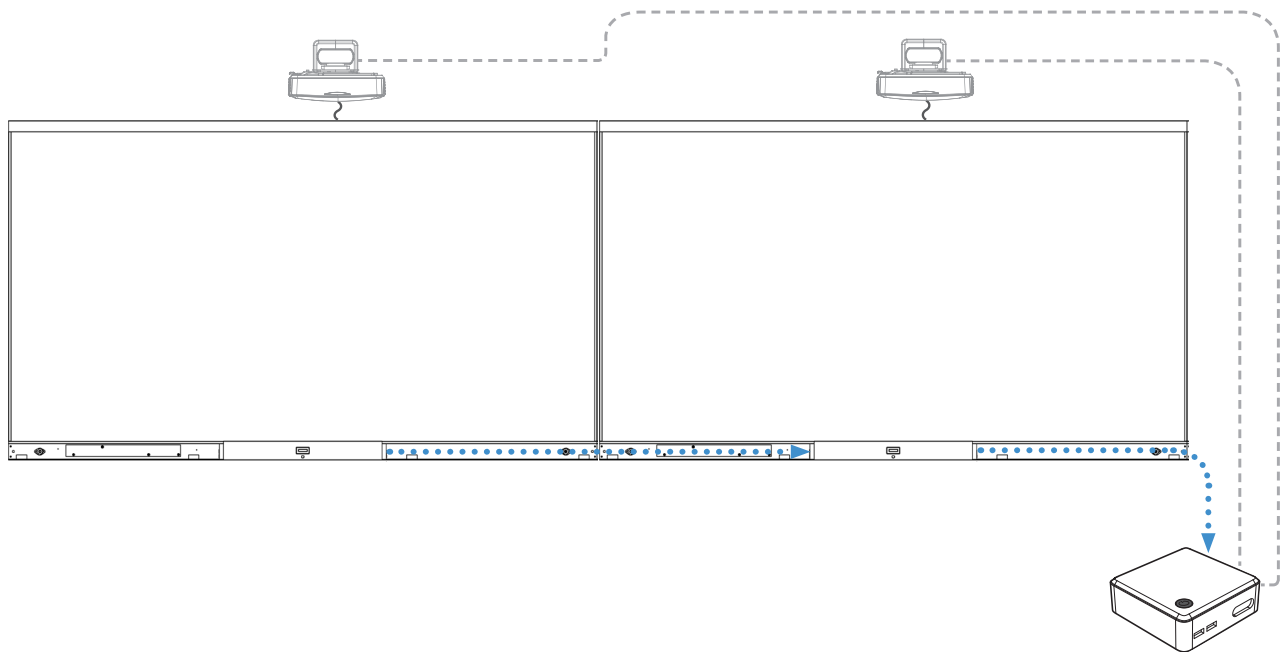
Installing and cleaning the dust filter 32

Regulation and safety notices..... 33

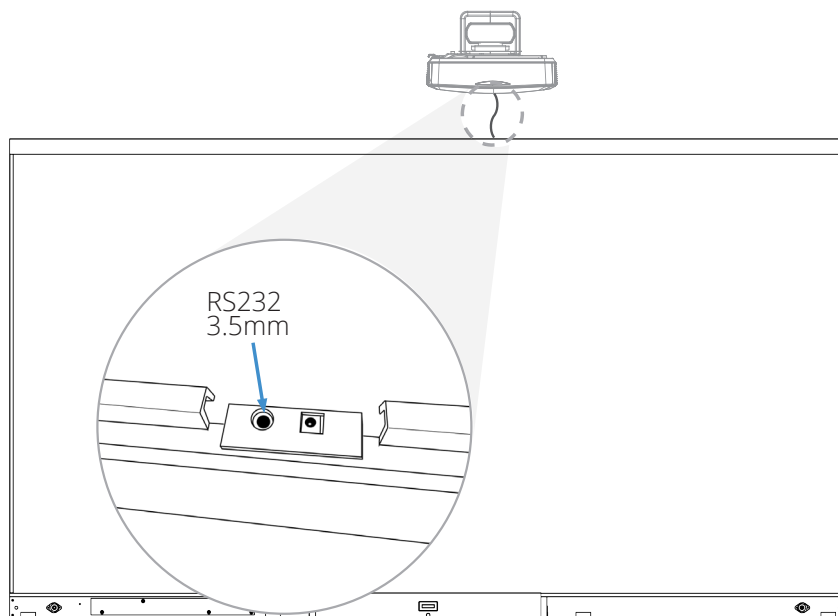
 Declaration of Conformity for EU countries 34

Appendix 36

Touch panel

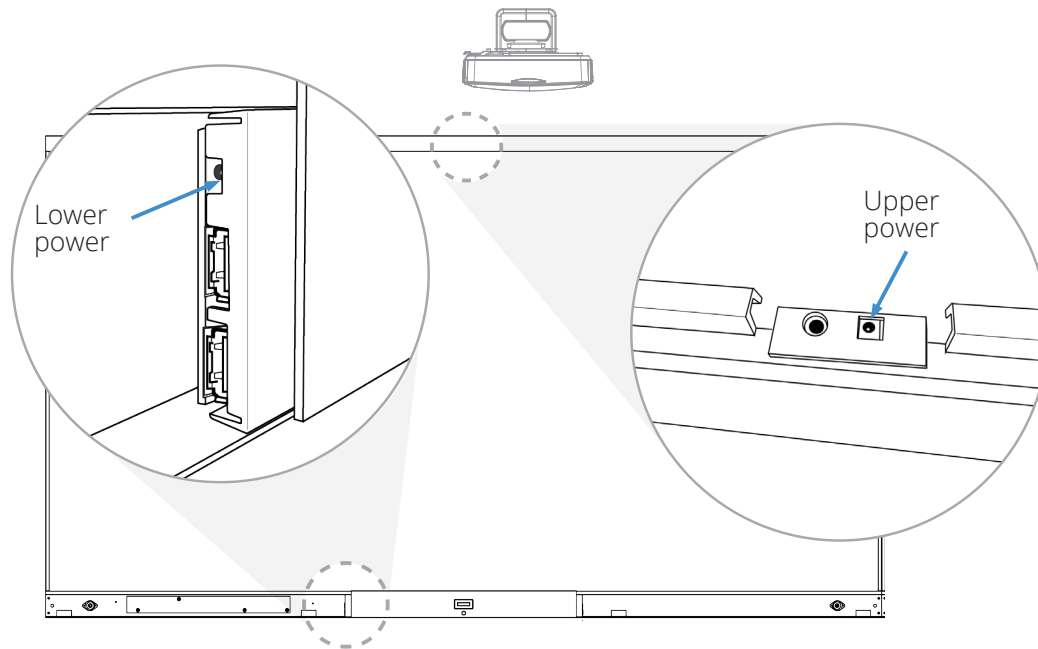


Touch panel features



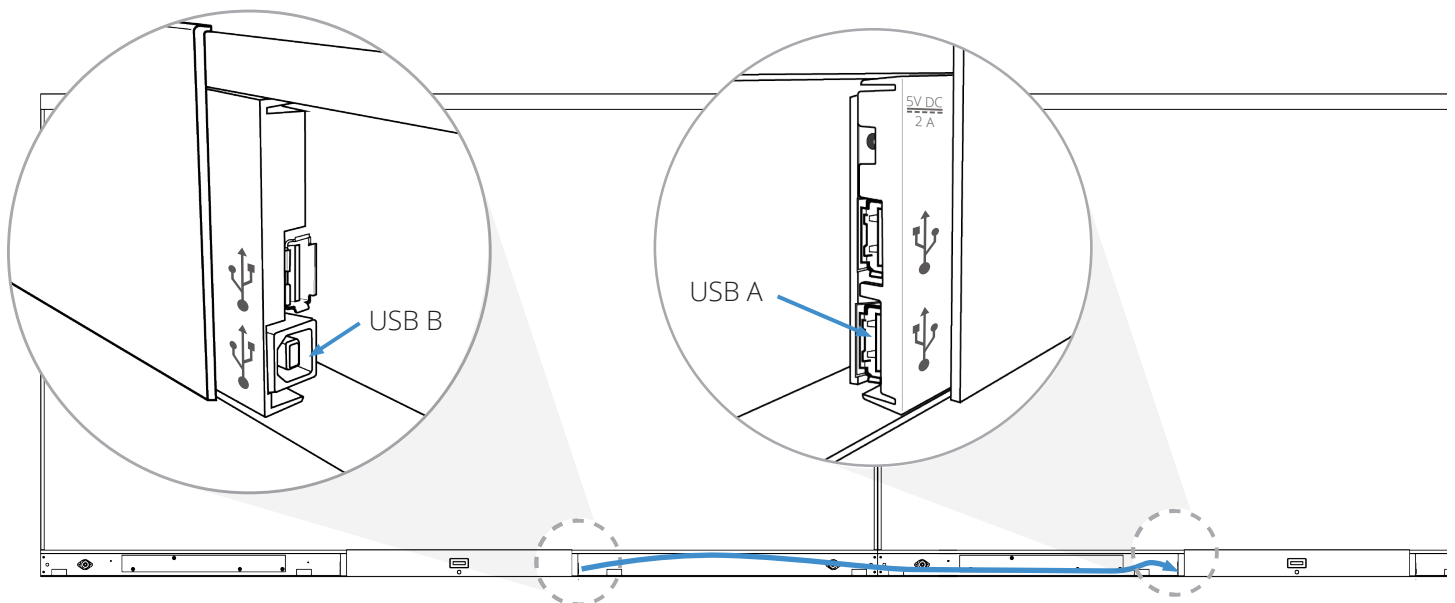
RS232 - 3.5 mm

Provides projector-control from the Nureva control module panel presence-detect and power button.



+5VDC

Provides power to the Nureva control module. There is an alternate power connection port along the bottom connection panel.

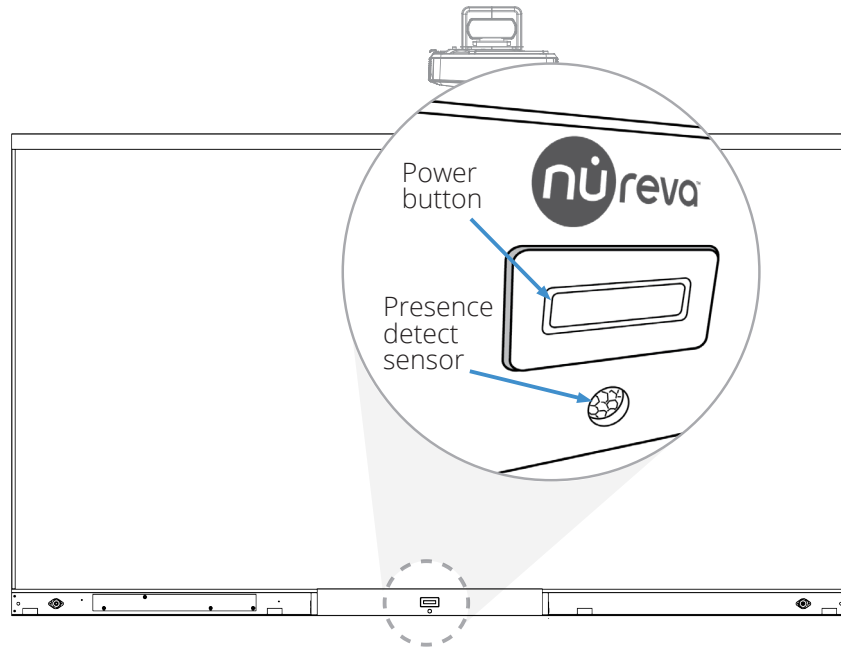


USB B

Input: Provides connection either to the PC or for daisy-chaining to the adjacent Touch panel for multi-panel configurations (e.g., dual or triple).

USB A

Output: Provides connection for daisy-chaining to the adjacent Touch panel for multi-panel configurations (e.g., dual or triple).



Power button

Provides control for the Nureva Touch Panel

- **Single press** – powers ON the Touch panel and projector
- **Press and hold 2 seconds** – powers OFF the Touch panel and projector
- **Press and hold 10 seconds** – enables a factory reset

Presence-detect sensor

Provides control for auto WAKE/SLEEP functions.

Settings are controlled within Nureva Room Manager

LED backlit

See the LED state map in the appendix for details.

Cleaning your touch panel

Use dry-erase cleaner, or a damp cloth to clean the WM408i touch panel. Avoid abrasive cleaning agents such as a scrubbing sponge.

Wall mount adjustments

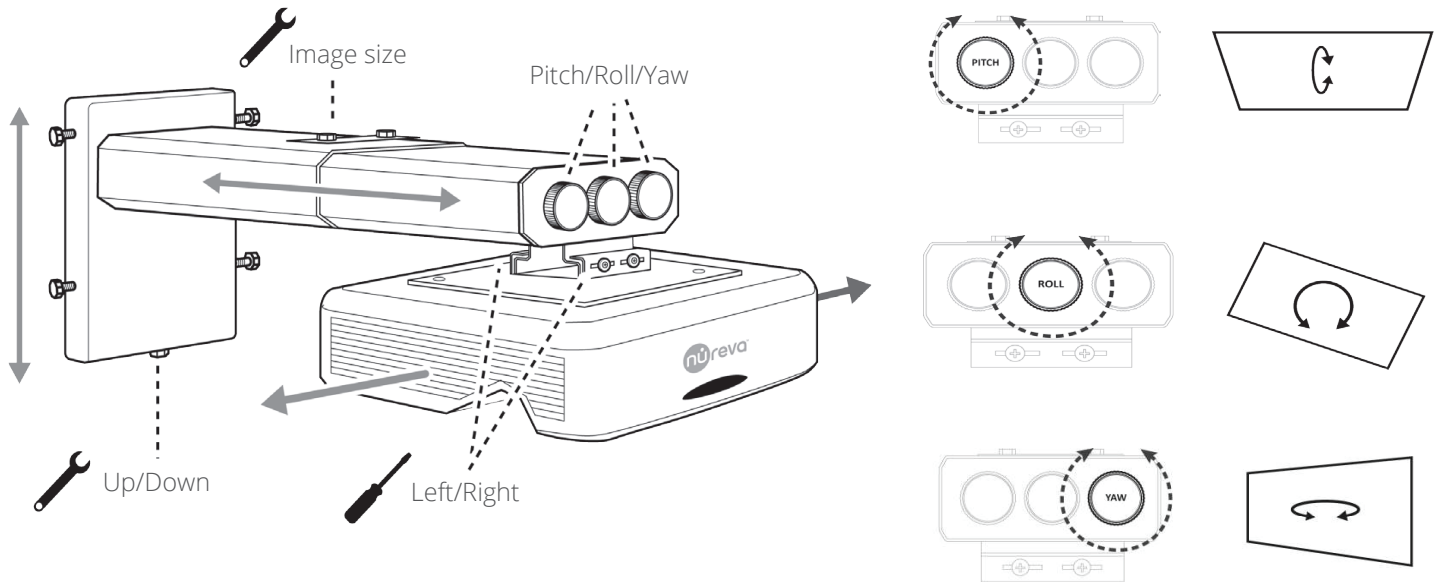


Image size

Adjusts the image size (diagonal) by moving the telescopic mount in or out.

Up/Down

Adjusts the landed image up or down.

Left/Right

Adjusts the left/right position of the landed image.

Pitch

Adjusts the landed image vertical keystone. Use this adjustment when the top or the bottom of the image is larger or smaller and in a trapezoid shape.

Roll

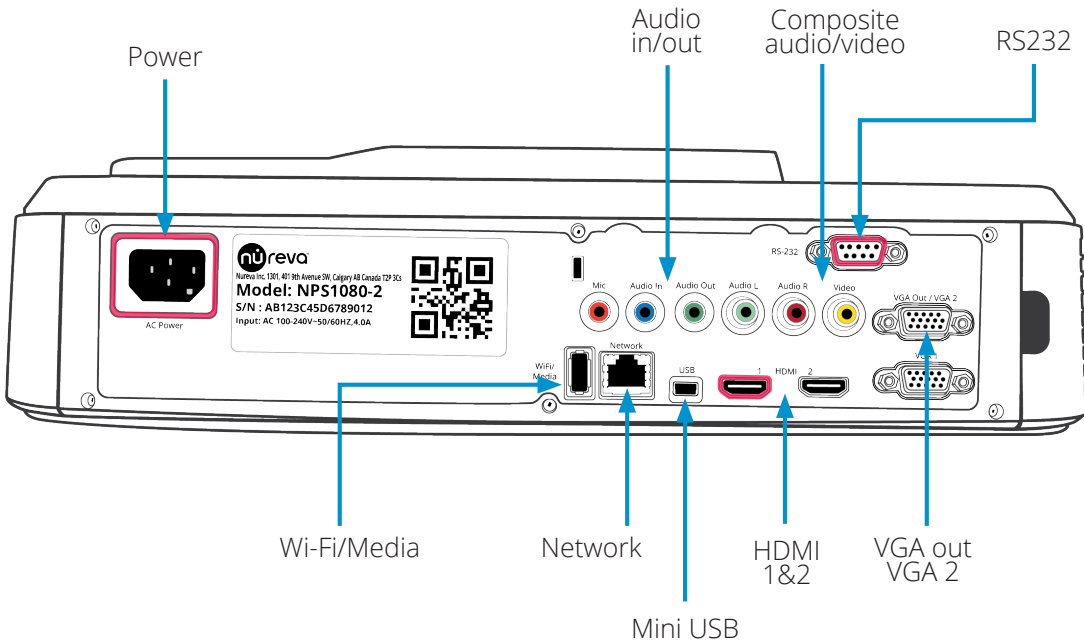
Adjusts the landed image tilt or roll. Use this adjustment when the image appears to be off-level.

Yaw

Adjusts the landed image horizontal keystone. Use this adjustment when the left or the right of the image is larger or smaller and in a perspective shape.

NOTE: Once the above mechanical adjustments are complete, use the Wall display system tools in the Nureva Room Manager software to fine-tune the landed image.

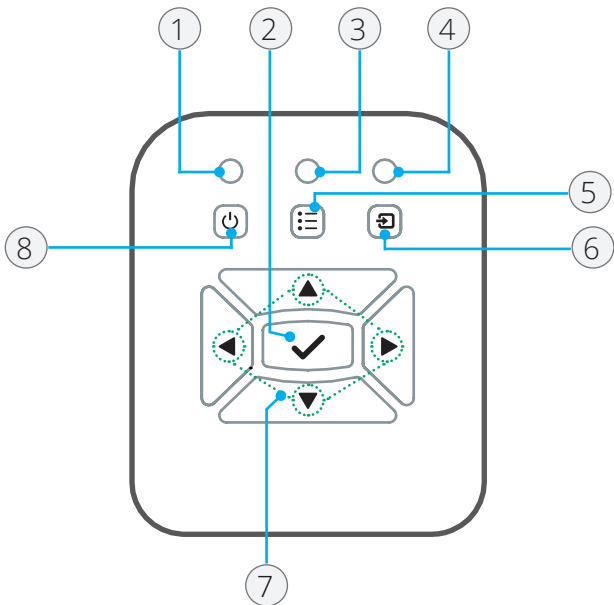
Projector connections



Connection	Feature functions
Microphone In	Pass through to projector 10W internal speaker
Audio In/Out	Loop through
Composite video	L/R audio
VGA 1	Video input
VGA Out/VGA 2	Third-party pass-through display
HDMI 2	Video input w. MHL compatibility
Mini USB	Service port
Network	RJ45 100Base-T bandwidth room-control ready
Wi-Fi/media	USB media port

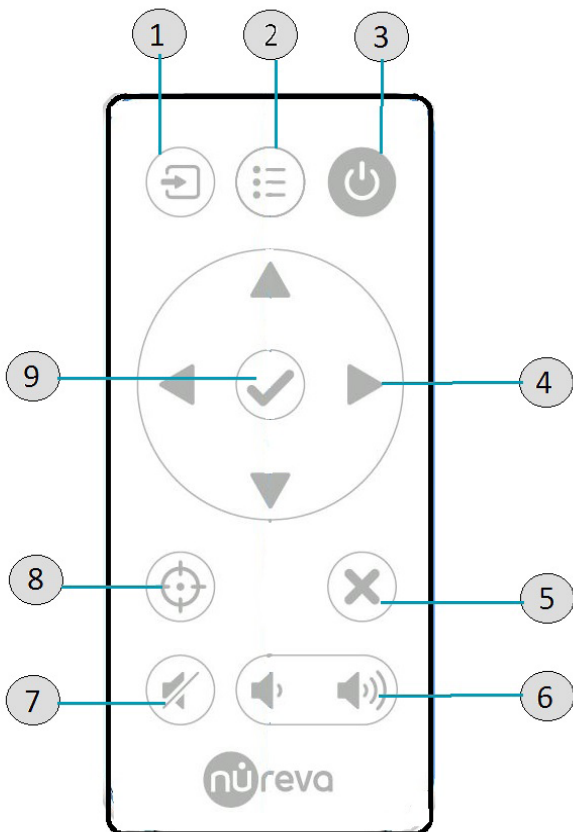
Control panel

NOTE: Whenever possible, use the buttons on the projector remote control instead of the control panel as this will help prevent shifting or skewing the projected image.



1. **On/standby LED:** Refer to the LED indicator of the projector power status
2. **Enter:** Confirm your item selection
3. **Temp LED:** Refer to the LED indicator of the projector temperature status
4. **SSI LED:** Refer to the LED indicator of the projector light source status
5. **Menu:** Launch the on-screen display menu. To exit the OSD, press the menu button again.
6. **Input:** Select an input signal
7. **Four directional select keys:** Use the arrows to select items or make adjustments to your selections
8. **Power:** Turn the projector on or off

Remote control



1. **Input source:** Select the input source
2. **Menu:** Launch the on-screen display menu. To exit the OSD, press the cancel button or the menu button again.
3. **Power:** Turn the projector on or off
4. **Four directional select keys:** Select items or make adjustments to your selections
5. **Cancel:** Exit a menu or cancel a selection
6. **Volume:** Adjust the volume level for the projector's speaker
7. **Mute:** Mute the sound from the projector's speaker
8. **Calibrate:** (not yet supported by Nureva Room Manager)
9. **Enter:** Confirm your item selection

Projector on-screen display menu

The projector has multilingual OSD menus that allow you to make image adjustments and change a variety of settings.

Navigating the menu

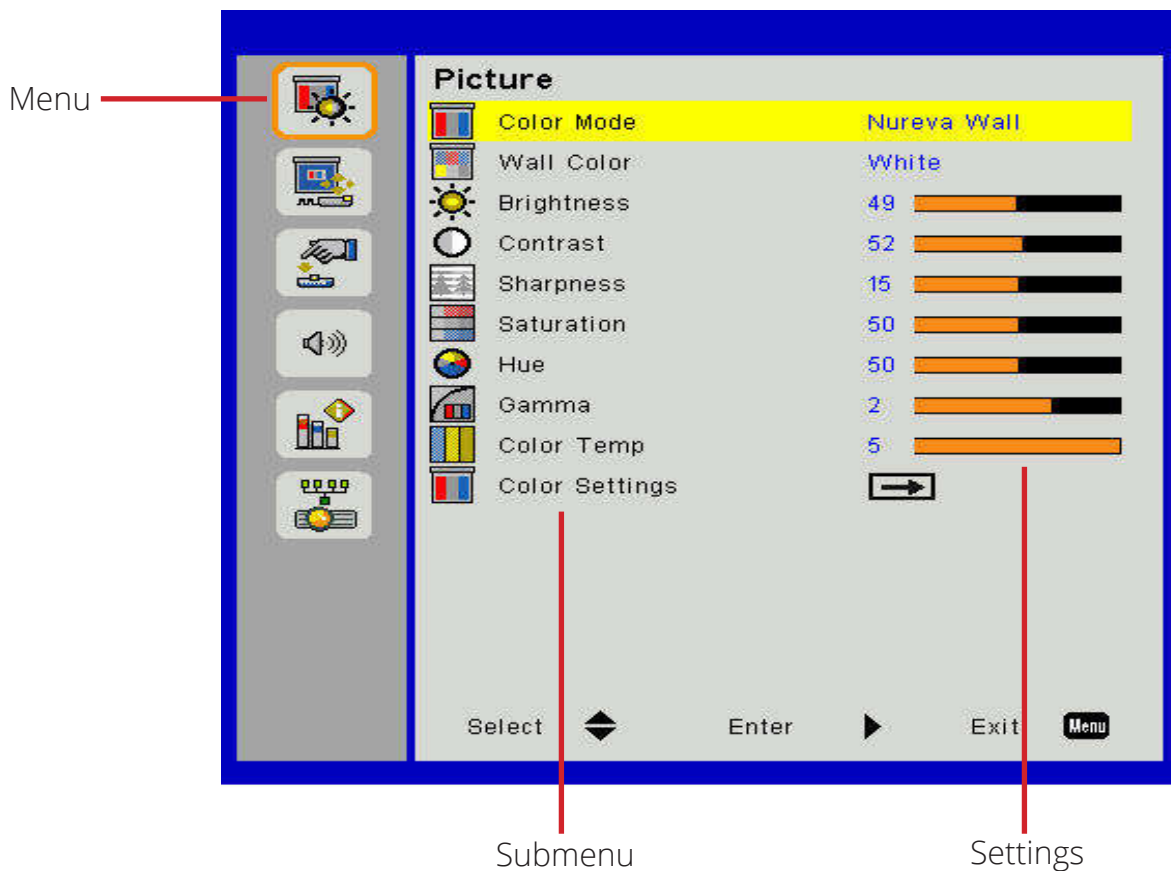
To access the OSD, press the menu button on the projector remote control or control panel.

Use the arrow buttons on the projector remote or control panel to navigate the main menu on the left-hand side. Press the enter button or the right arrow key to enter a submenu.

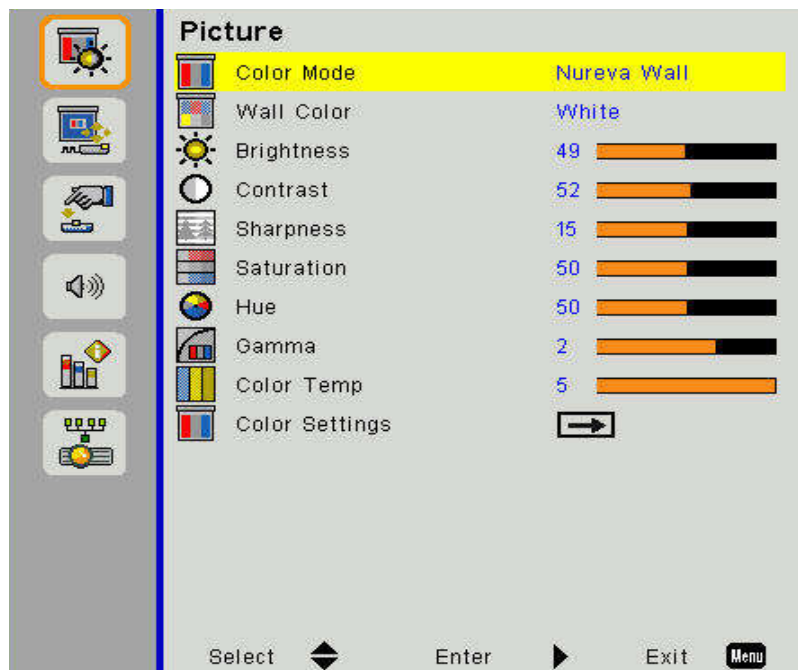
Use the up and down arrow keys to select the desired item in the submenu and the left and right arrow keys to adjust the settings.

Once you have completed the necessary adjustments in the submenu, press the menu button again to return to the menu.

To exit the OSD, press the menu button again or cancel. The new settings will automatically be saved.



Picture



Color mode

Choose from the factory pre-set options or set your own custom color mode:

- **Nureva Wall** – Color matching for dual displays (default)
- **Bright** – for brightness optimization
- **PC** – For meeting presentation
- **Movie** – For playing video content
- **Game** – For game content
- **User** – Custom user settings

Wall color

The WM408i default color is white.

Brightness

Use the left and right arrows to adjust the brightness of the image.

Contrast

Adjust the contrast to control the difference between the lightest and darkest parts of the picture.

Sharpness – video mode only

Use the left and right arrows to adjust the sharpness of the image.

Saturation – video mode only

Adjust the image from fully saturated color to black and white using the left and right arrows.

Hue – video mode only

Adjust the color balance of red and green:

- Press the left arrow to increase the amount of green in the image
- Press the right arrow to increase the amount of red in the image

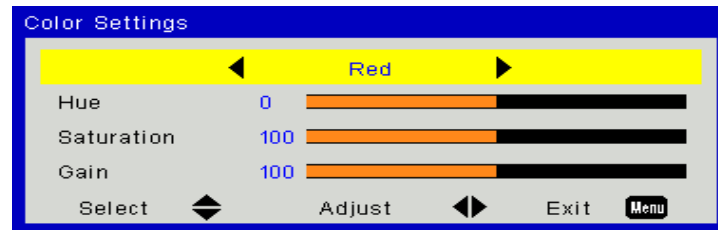
Gamma

Adjust the gamma value to obtain better image contrast for the input.

Color temp

Adjust the white balance in 300K increments.

Color settings



The color settings are sensitive and easy to unbalance. Adjust the picture settings before considering these adjustments.

Color

Choose which color to adjust on the screen (Red, Green, Blue, Cyan, Magenta or Yellow).

Hue

Adjust the RGB levels of the selected color using the left and right arrows.

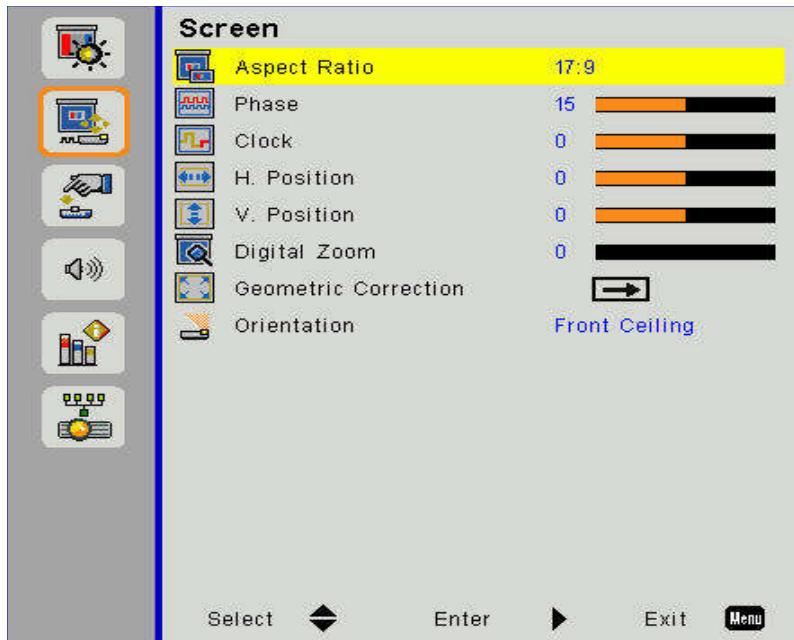
Saturation

Adjust the intensity of the selected color using the left and right arrows.

Gain

Adjust the brightness of the selected color using the left and right arrows.

Screen



Aspect ratio

Auto – Keep the image's original width-height ratio and maximize the image to fit native horizontal or vertical pixels

17:9 – The default aspect ratio for the Nureva Wall image mode

4:3 – The image will be scaled to fit the screen and displayed using a 4:3 ratio

16:9 – The image will be scaled to fit the width of the screen and the height adjusted to display the image using a 16:9 ratio

Phase

Synchronize the signal timing of the display with the graphic card. If the image appears to be unstable or is flickering, use this function to correct it.

Clock

Adjust to achieve an optimal image when there is vertical flickering.

NOTE: Phase, clock, H. position and V. position are only available for RGB-type (VGA) video input and will be greyed out for HDMI video input.

H. Position

Adjust the horizontal position of the image using the left and right arrows. The range of movement will depend on the image source.

V. Position

Adjust the vertical position of the image using the left arrow to bring the image up and the right arrow to bring the image down. The range of movement will depend on the image source.

Digital Zoom

Use the left arrow to zoom out and the right arrow to zoom in.

Geometric correction

Allows the image to be digitally adjusted via a four-corner independent control.

Ceiling Mount

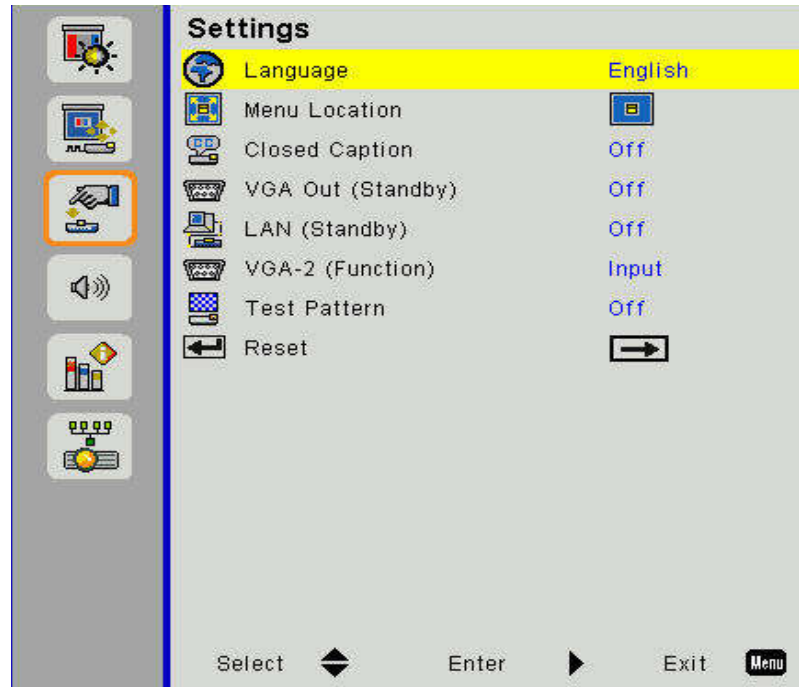
Front – The image will project straight on the screen

Front ceiling – Default selection. When selected the image will turn upside down.

Rear – The image will reverse

Rear ceiling – Image will reverse and flip upside down

Settings



Language

Switch the OSD to a different language:

- Press the right arrow to enter the submenu
- Use the up and down arrows to select the language
- Press the right arrow to finalize the selection

Menu Location

Choose the menu location on the display screen.

VGA Out (Standby)

Choose *On* to enable VGA Out connection.

LAN (Standby)

Choose *On* to enable LAN connection. Choose *Off* to disable LAN connection.

VGA 2 (Function)

Input – Choose *Input* to allow the VGA port to work as a VGA input function.

Output – Choose *Output* to enable the VGA Out function once the projector is powered on.

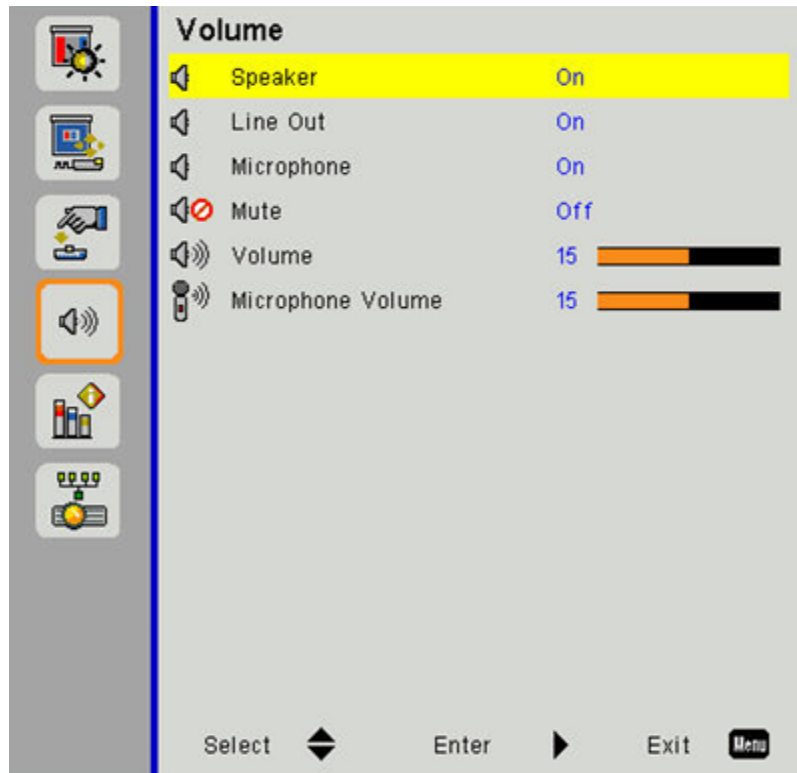
Test Pattern

Display a test pattern.

Reset

Return all parameters on all submenus in the OSD to the factory default settings.

Volume

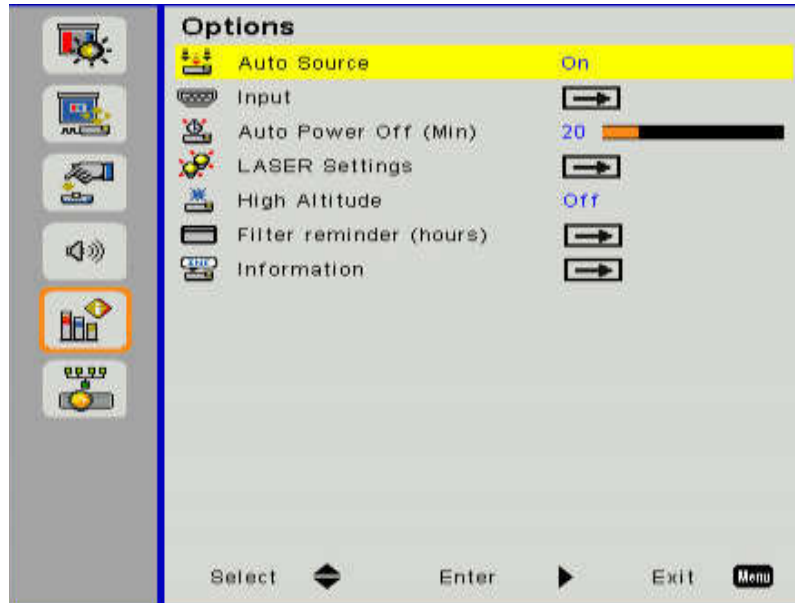


Volume

Control the following:

- Speaker
- Line out
- Microphone
- Mute
- Volume
- Microphone Volume

Options



Auto Source

- **On** – The projector will search for other signals if the current input signal is lost
- **Off** – The projector will only search current input connection

Input

Click on the arrow to enable or disable input sources. The projector will not search for inputs that are not selected.

Auto Power Off (Min)

Set the countdown timer interval. The countdown timer will start once the projector stops receiving signals. When the countdown is finished, the projector will automatically power off.

LASER Settings

SSI Hours Used (Normal) – Displays the number of hours the projector has been run in normal mode

SSI Hours Used (ECO) – Displays the number of hours the projector has been run in ECO mode

SSI Power Mode – Choose between normal and **ECO mode** – ECO mode will dim the projector lamp to lower power consumption and extend the lamp life.

High Altitude

On – The built-in fans run at high speed. Select this option when using the projector at altitudes above 2,500 ft. (762 m) or higher.

Off – The built-in fans automatically run at a variable speed according to the internal temperature

Filters Reminder (Hour)

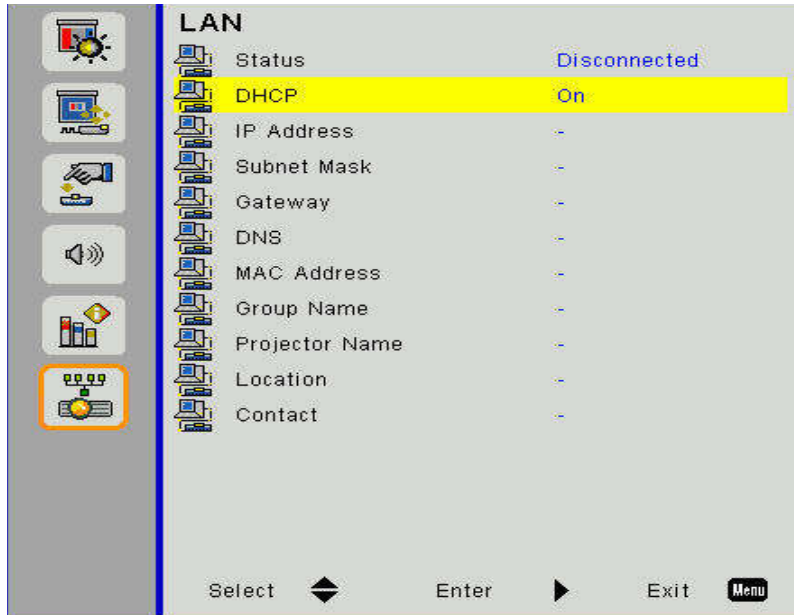
Filters Remind (Hour) – Set when you would like to be reminded to change the filter

Cleaning up Reminder – Select Yes to reset reminder after replacing or cleaning the filter

Information

Display the projector information. View the model name, SNID, source, resolution, software version and aspect ratio on the screen.

LAN



Status

Display the network connection status

DHCP

Configure the DHCP settings. Choose *On* to let the projector obtain an IP address automatically from your network. Choose *Off* to assign IP, subnet mask, gateway and DNS configuration manually.

IP Address

Display an IP address

Subnet Mask

Display the subnet mask number

Gateway

Display the default gateway of the network connected to the projector

DNS

Display the DNS number

MAC Address

Display the MAC address

Group Name

Display the group name

Projector Name

Display the projector name

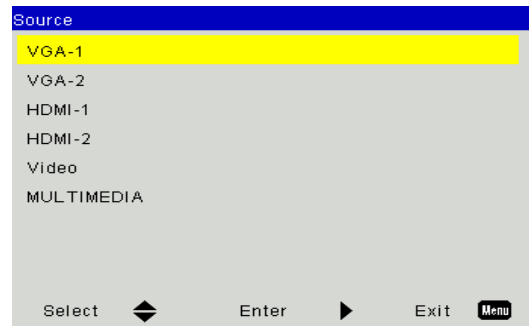
Location

Display the projector location


Contact

Display the contact information

Source



Source

Access the input Source menu by pressing the Input Source button  on the remote or projector control panel.

- VGA-1
- VGA-2
- HDMI-1
- HDMI-2
- Video
- Multimedia

Multimedia

Project media files (photos, videos, music, documents) stored on the following devices:

- **Nureva-approved wireless dongle** (available through your reseller) – Wirelessly access the media files stored on your mobile phone, tablet, PC, notebook or desktop
- **USB flashdrive** – Directly access the media files stored in the device

How to access multimedia mode:

1. Plug the wireless dongle for your system (available from through your reseller), or USB flash drive into the USB connector at the back of the projector
2. Press the input button on the remote control or on the control panel to turn on the projector. When the input menu appears, press the arrow keys to select the Multimedia, and then the Enter key to confirm.

Supported file formats

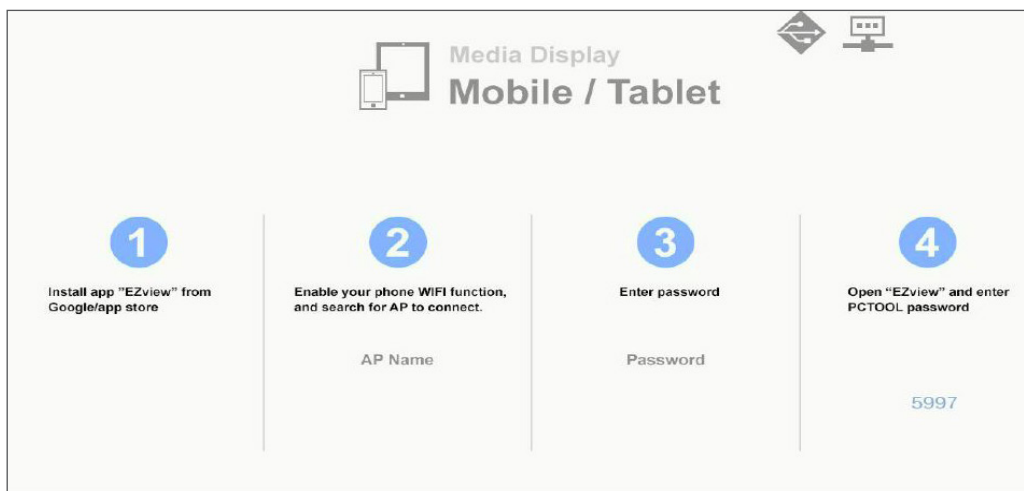
Photo – BMP, JPG, JPEG, PNG

Music – MP3, WMA

Video – AVI, MOV, MP4, RM, RMVB, DAT, MPG, ISO, TS, MKV, VOB AND WMV

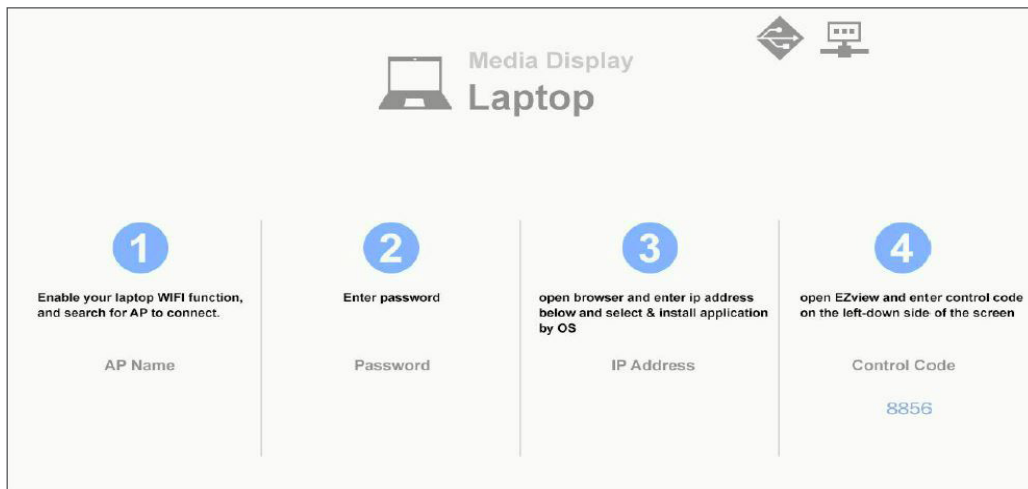
Document – Word®, Excel®, PPT®, PDF

Mobile display



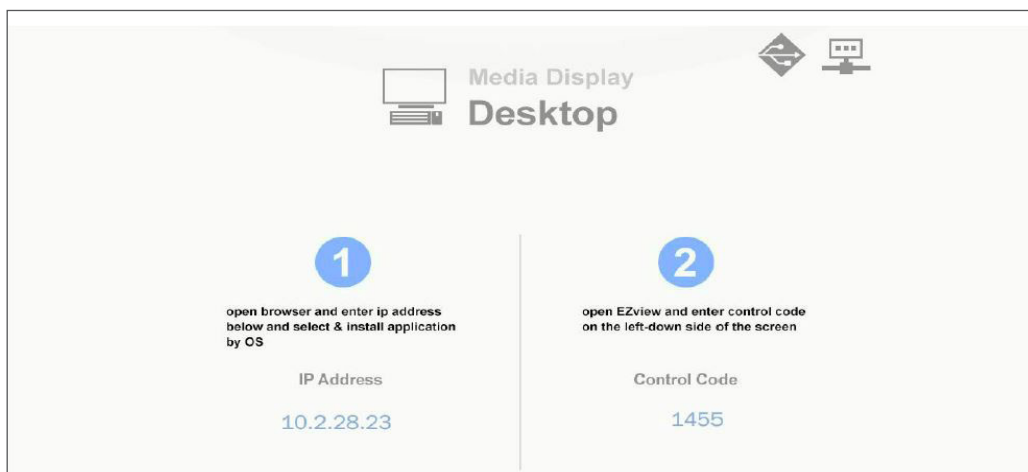
1. On the multimedia menu, select **Mobile/Tablet**
2. On your mobile device or tablet PC, download the EZ-view application from the App Store (iOS) or the Play Store (Android™)
3. Enable your mobile device or tablet PC's Wi-Fi function, and search the AP name listed in the Wi-Fi network list.
4. Enter the password when prompted
5. Launch the EZ-view application and enter the PCTOOL password
6. Wait until the connection is established. Now the media files on your mobile device or tablet PC can be accessed using the projector.

Laptop display



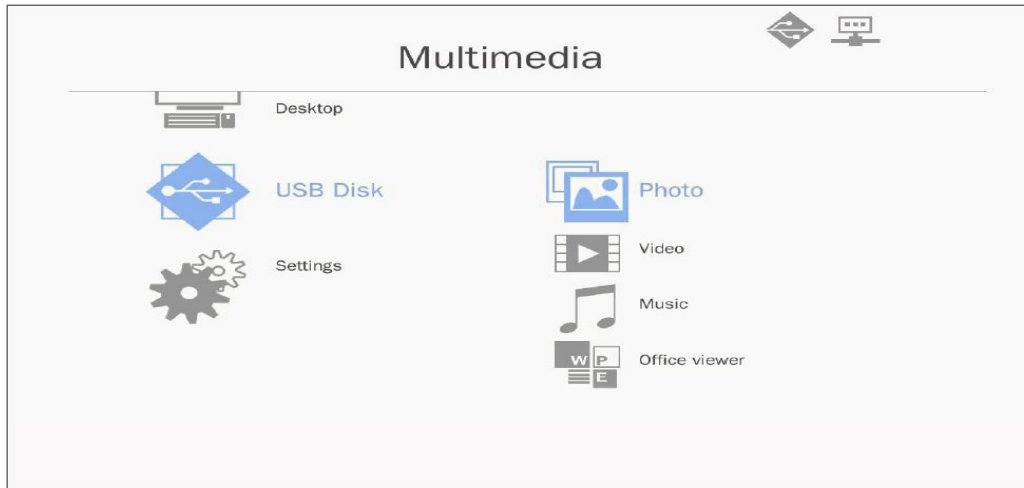
1. On multimedia menu, select *Laptop*
2. Enable your laptop or notebook Wi-Fi function, and search the AP name listed in the Wi-Fi network list
3. Enter the password when prompted
4. Open your web browser and enter the IP address
5. Select *Wi-Fi* on the left side of the screen and install the application required by the operating system
6. Launch the EZview application and enter the control code shown on the bottom right side of the screen
7. Wait until the connection is established. The media files on your laptop or notebook can now be accessed using the projector.

Desktop display



1. On the multimedia menu, select *Desktop*
2. Open your web browser and enter the IP address
3. Then select Wi-Fi on the left side of the screen and install the application required by your operating system
4. Launch EZview application and enter the control code shown on the bottom right side of the screen
5. Wait until the connection is established. The media files on your desktop can now be accessed using the projector.

USB storage display



1. On the multimedia menu, select *USB Disk*
2. Use the arrow keys to select the file category and press *Enter*
3. Use the arrow keys to select the file to view or play and press *Enter* to confirm

Configuring multimedia display settings

1. On the multimedia menu, select *Settings*
2. Use the arrow keys to choose the desired menu option and press *Enter* to access the submenu for your selection

Menu options:

System – View the firmware version and update firmware

Video – Change the display ratio and set the repeat mode

Photo – Change the display ratio, slideshow pattern and slideshow duration

Music – Set the repeat mode

Wi-Fi – Configure the Wi-Fi connection

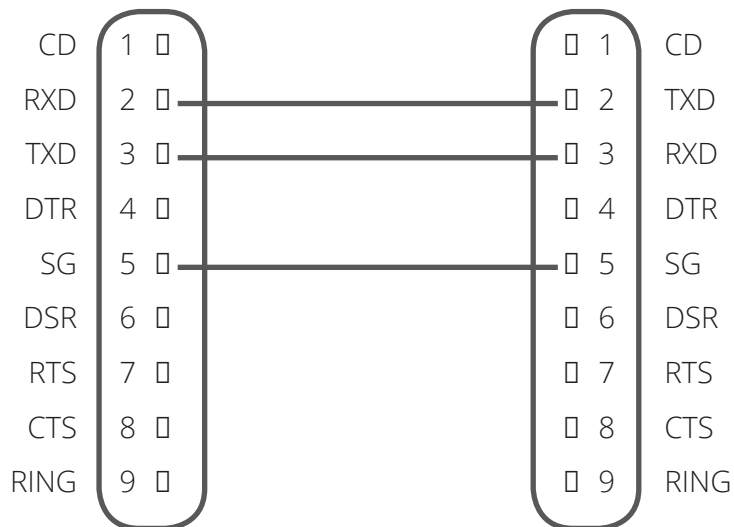
3. Use the arrow keys to select or adjust the setting, and press *Enter* to confirm

RS232 commands

RS232 port setting

Items	Method
Communication method	Asynchronous communication
Bits per seconds	19,200
Data bits	8 bits
Parity	None
Stop bits	1
Flow control	None

RS232 signals connection



Commands set list

Control command syntax

[Command][Space][Value]

Note : There is a <CR> after all ASCII commands, 0x0D is <CR> in ASCII code

UART connection settings

Baud rate : 19200

Data bits : 8

Parity : None

Stop bits : 1

Control command example : Power on
#0100 1 (ASCII code)

Projector return

Pass : P

Fail : F

Write commands

Command description	ASCII command	Value (n)	Projector response	Resulting control
Projector power control	#0100 n	0 / 1	P / F	"0 : Off 1 : On"
Remote Control emulator	#0101 n	1 ~ 10	P / F	1: Up 2: Left 3: Right 4: Down 5: Menu 6: Source 7: Keystone + 8: Keystone - 9: Volume + 10: Volume -"
Video Mute (Blank)	#0103 n	0 / 1	P / F	0: On 1: Off"
Video Freeze (Image)	#0104 n	0 / 1	P / F	0: Unfreeze 1: Freeze"
Input Source	#0105 n		P / F	1 : VGA 1 2 : VGA 2 3 : HDMI 1 4 : HDMI 2 5 : Video 6 : Multimedia"
Color Mode	#0110 n	1 ~ 6	P / F	1 : Bright 2 : PC 3 : Movie 4 : Game 5 : Nureva Wall 6 : User"
Brightness	#0111 n	0 ~ 100	P / F	
Contrast	#0112 n	0 ~ 100	P / F	
Sharpness	#0113 n	0 ~ 31	P / F	
Aspect Ratio	#0120 n	1 ~ 4	P / F	1: Auto 2: 4:3 3: 16:9 4: 17:9"

Write commands

Command description	ASCII command	Value (n)	Projector response	Resulting control
Zoom In/Out	#0121 n	0 / 1	P / F	"0: Zoom - 1: Zoom +"
Keystone settings	#0122 n	-40 ~ 40	P / F	
Display orientation	#0123 n	1 ~ 4	P / F	1 : Front 2 : Rear 3 : Front Ceiling 4 : Rear Ceiling"
Language	#0130 n	1 ~ 19	P / F	1 : English 2 : German 3 : Swedish 4 : French 5 : Arabic 6 : Dutch 7 : Norwegian 8 : Danish 9 : Simplified Chinese 10 : Polish 11 : Korean 12 : Russian 13 : Spanish 14 : Traditional Chinese 15 : Italian 16 : Portuguese 17 : Turkish 18 : Japanese 19 : Czech"
Menu Location	#0131 n	1 ~ 5	P / F	"1: Top Left 2: Top Right 3: Center 4: Bottom Left 5: Bottom Right"
Factory Reset	#0132 n	1	P / F	
Volume - Mute	#0140 n	0 / 1	P / F	"0 : Off 1 : On"
Volume - Setting	#0141 n	0 ~ 30	P / F	
Volume - Microphone	#0142 n	0 ~ 30	P / F	
Auto Power Off (min)	#0150 n	0 ~ 120	P / F	Step increments = 5
High Altitude setting	#0151 n	0 / 1	P / F	"0 : Off 1 : On"
Touch calibration	#0161 n	1	P / F	Initiate
"4-corner adjustment (x/y co-ordinates)"	#0170 n	"0000 0000 1919 0000 1919 1015 0000 1015"	P / F P / F	"top-left, top-right, bottom-right, bottom-left "
"4-corner Reset (x/y co-ordinates)"	#0171 n	1	P / F	Reset according to Aspect ratio

Read commands

Command description	ASCII command	Value (n)	Projector response	Resulting control
Aspect Ratio	#01120 n	1	Okn	n = 1; Auto n = 2; 4:3 n = 3; 16:9 n = 4; 17:9"
Input Source	#01160 n	1	Okn	n = 0; None n = 1; VGA1 n = 2; VGA2 n = 3; HDMI1 n = 4; HDM2I n = 5; Video n = 6; Multimedia"
Software Version	#01161 n	1	Okddd	ddd = FW version
System information	#01162 n	1	Okabbbbccdddee	a = Power Status b = LD Hours c = Input Source d = Firmware Version e = Color mode (1 - Bright; 2 - PC; 3 - Movie; 4 - Game; 5 - Nureva Wall; 6 - User)"
Projector serial number	#01163 n	1	Okaaaaaaaaaaaaaa	Serial number
Projector power state	#01164 n	1	Okn	n = 0; Off n = 1; On"
4-corner co-ordinates	#01170 n	1	Okn	n = 0000 0000 1919 0000 1919 1015 0000 1015

Wake-on-LAN (WOL) requirements

Room controller configurations

In compliance with the new industry low-power standby power consumption requirements for products which support LAN function (Regulatory ErP Lot 26 Tier 3), the Standby power consumption drops from 3W to 2W. The Nureva projector supports a AM8250 Multimedia/LAN control chip which has a STDBY mode >2W, and to abide by this requirement, the chipset functionality requires a WOL (Wake On LAN) command prior to the Crestron/Extron commands for LAN standby mode.

Nureva has tested and recommends the following approach:

In the projector OSD

1. Go to the Settings page
2. Set LAN (Standby) to ON (see page 11)
3. Go to the LAN page
4. Set DHCP to ON (see page 14)
5. Record the IP address and Mac address. Also, reserve the IP address (static) in your router or server.

Within the third-party controller

Send a WOL command (aka 'Magic packet') using the MAC Address via the User Datagram Protocol (UDP). Do not send the standard "ON" command as this will not Wake the projector due to the new EuP requirements.

Once the projector is ON, the normal command set will function.

- • The command syntax is used for both RS232 & RJ45 LAN
- • RJ45 LAN protocol is supported by ANY third-party control application (not just the few we highlight)
- • WOL is required for each instance of bringing the projector out of STDBY; due to updated ErP Lot 26 Tier 3 power regulations
- • The following TCP / UDP port socket connections apply:

Crestron	Extron	AMX	TELNET
Port: 41794	Port: 2023	Port: 1023	Port: 23

To help with WOL compatibility, consider turning off your Nureva Wall presence detection feature.

Crestron® room control

Crestron RoomView™ is a program that monitors each projector, including the projector's online status, system power, network setting and hardware faults, plus any custom attributes defined by the administrator.

For more information on Crestron, including purchasing or downloading RoomView, go to

<http://www.crestron.com> or www.crestron.com/getroomview.

NOTE: RoomView's function is set according to the products' models and specifications.

NOTE: In the Nureva Wall WM408i configuration, the RS232 port is used for projector-level control assigned to the Nureva Touch Panel for presence-detect WAKE/SLEEP. Therefore the RJ45 port must be used for extended Crestron-ready room control commands.

Main page



Settings

- Power
- Volume -
- Volume +
- Mute
- VGA-1
- VGA-2
- Composite
- Multimedia
- HDMI-1
- HDMI-2
- Enter
- Menu
- Up, Down, Left, Right
- Freeze
- Contrast
- Brightness
- Color
- Sharpness

Tool page

The screenshot shows a web interface with three main sections: Crestron Control, Projector, and User Password. Each section has input fields and a 'Send' button. At the bottom, there is an 'exit' button and the Crestron logo with 'Expansion Options' text.

Section	Field	Value
Crestron Control	Ip Address	
	IP ID	5
	Port	41794
Projector	Group Name	GROUP
	Location	LOCATION
	Projector Name	PROJECTOR
	DHCP	<input type="checkbox"/> Enabled
	Ip Address	10.0.21.200
	Subnet Mask	255.255.0.0
	Default Gateway	10.0.0.254
DNS Server	168.95.0.1	
User Password	<input type="checkbox"/> Enabled	
	New Password	
	Confirm	
	Admin Password	
<input type="checkbox"/> Enabled		
New Password		
Confirm		

Settings

- IP Address
- IP ID
- Port
- Group Name
- Location
- Projector Name
- DHCP
- IP Address
- Subnet Mask
- Default Gateway
- DNS Server
- User Password
- Admin Password

Note: LAN 9standby) must be set to ON (see page 7) to allow the projector to communicate over the network when in standby mode.

Information page

The screenshot shows a web interface with two main sections: Projector Information and Projector Status. Each section has input fields displaying current values. At the bottom, there is an 'exit' button and the Crestron logo with 'Expansion Options' text.

Section	Field	Value
Projector Information	Group Name	GROUP
	Location	LOCATION
	Firmware Version	M02
	Mac Address	00:50:41:7E:55:B0
	Resolution	1920x1080
	Lamp Hours	1
	Projector Name	PROJECTOR
	SSI Hours	
Projector Status	Power Status	Power On.
	Source	VGA - 1
	Image	Dark Room
	Projection	front
	Lamp Mode	Standard Mode
	Error Status	0:Normal

Settings

- Group Name
- Location
- Firmware Version
- Mac Address
- Resolution
- SSI Hours
- Projector Name
- Power Status
- Source
- Image
- Projection
- Error Status

Web browser projector control

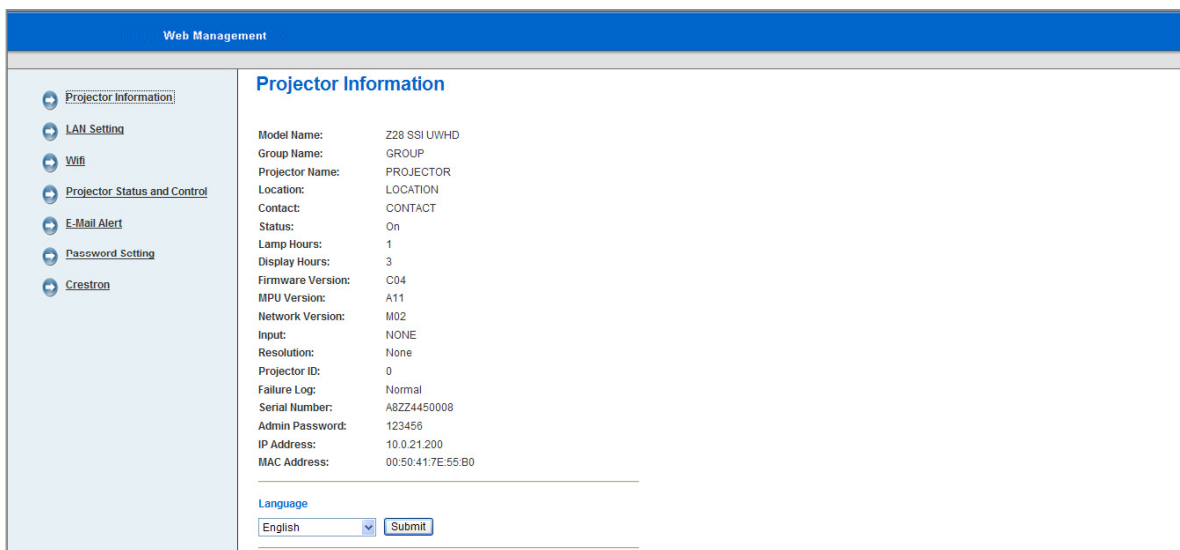
Enable web browser control on the projector

Manage your projector settings over a web graphic user interface (GUI) using the steps in this section.

NOTE: This feature requires connection to a network through the RJ45 port.

1. On the Network settings page in the projector's OSD, turn on DHCP
2. Open your browser and type in the IP address assigned to the projector as shown in the Network Settings in the OSD

Projector information



The screenshot displays the 'Web Management' interface. On the left is a navigation menu with the following items: Projector Information (selected), LAN Setting, Wifi, Projector Status and Control, E-Mail Alert, Password Setting, and Crestron. The main content area is titled 'Projector Information' and lists the following details:

Model Name:	Z28 SSI UWHD
Group Name:	GROUP
Projector Name:	PROJECTOR
Location:	LOCATION
Contact:	CONTACT
Status:	On
Lamp Hours:	1
Display Hours:	3
Firmware Version:	C04
MPU Version:	A11
Network Version:	M02
Input:	NONE
Resolution:	None
Projector ID:	0
Failure Log:	Normal
Serial Number:	A8ZZ4450008
Admin Password:	123456
IP Address:	10.0.21.200
MAC Address:	00:50:41:7E:55:B0

Below the information is a 'Language' section with a dropdown menu set to 'English' and a 'Submit' button.

LAN setting

Setting	Default
DHCP	Off
IP Address	10.0.21.200
Subnet Mask	255.255.0.0
Gateway	10.0.0.254
DNS	0.0.0.0
Group name	GROUP
Projector name	PROJECTOR
Location	LOCATION
Contact	N/A

Wi-Fi

Setting	Value/Range
App download link	Windows™/MacOS/iOS/Android (for multimedia only)

Projector status and control

Web Management

- [Projector Information](#)
- [LAN Setting](#)
- [Wifi](#)
- [Projector Status and Control](#)
- [E-Mail Alert](#)
- [Password Setting](#)
- [Crestron](#)

Projector Status and Control

Projector Status:

Input:

Logo:

Ceiling Mount:

High Altitude: On Off

Auto Source: On Off

LASER Power Mode: Normal ECO

Auto Power Off (Min): (0-120)

Image Control

Color Mode:

Aspect Ratio:

Video Mute: On Off

Brightness: (0-100)

Contrast: (0-100)

Clock:

Phase: (0-31)

Saturation: (0-100)

Hue: (0-100)

Sharpness: (0-31)

Gamma: (0-3)

H-Position:

V-Position:

Keystone: (-40-40)

Zoom: (0-10)

Audio Control

Volume: (0-30)

Microphone Volume: (0-30)

Setting	Value/range	Default
Projector Status	On/Off/Powering/Cooling	Off
Input	HDMI1/HDMI2/VGA1/VGA2/Composite/Multimedia	
Logo	Default/User	Default
Ceiling Mount	Front/Front ceiling/Rear/Rear ceiling	Front ceiling
High Altitude	On/Off	Off
Auto Source	On/Off	On
LASER Power Mode	Normal/ECO	Normal
Auto Power Off (min)	0~120 (step: 5)	20
Color Mode	PC/Bright/Movie/Game/User	PC
Aspect Ratio	Auto/4:3/16:9/16:10/Ultrawide	Auto
Video Mute	On/Off	Off
Brightness	0~100	50
Contrast	0~100	50
Clock	Depend on source	
Phase	Depend on source	
Saturation	0~100	50
Hue	0~100	50
Sharpness	0~31	16
Gamma	0~3	
H-Position	Depend on source	
V-Position	Depend on source	
Keystone	-40~40	0
Zoom	0~10	0
Volume	0~30	15
Microphone Volume	0~30	15

Email alert

The screenshot shows the 'E-Mail Alert' configuration page in the Web Management interface. On the left is a navigation menu with options: Projector Information, LAN Setting, Wifi, Projector Status and Control, E-Mail Alert (selected), Password Setting, and Crestron. The main content area is titled 'E-Mail Alert' and includes:

- Enable/Disable radio buttons (Disable is selected) and an 'E-Mail Alert Test' button.
- Fields for TO, CC, From, and Subject (containing 'Z28').
- SMTP Setting section with fields for Outgoing SMTP server, Username, and Password.
- Alert Condition section with checkboxes for System Overtemp, Fan Failure - System 1, Fan Failure - System 2, Fan Failure - System 3, Fan Failure - DMD, Fan Failure - PW, Color Wheel Fail, and LASER Error.
- A 'Save' button at the bottom.

Setting	Default
E-mail alert	Disabled
TO	
CC	
From	
Subject	
Outgoing SMTP server	
Username	
Alert Condition	Empty

Password setting

The screenshot shows the 'Password Setting' configuration page in the Web Management interface. On the left is a navigation menu with options: Projector Information, LAN Setting, Wifi, Projector Status and Control, E-Mail Alert, Password Setting (selected), and Crestron. The main content area is titled 'Password Setting' and includes:

- A message: 'Please set your password if you enable this feature for first time. If password is set, you will require to enter with your password upon you connected to the Web Management.'
- Administrator Password section with Enable/Disable radio buttons (Disable is selected) and a 'Submit' button.
- New Password field with a masked input (*****).
- Confirm Password field with a masked input (*****).
- A 'Submit' button for the confirm password field.

Setting	Default
Password	Enable/Disable
New Password	
Confirm Password	

Video compatibility modes

VGA analog

a. PC signal			
Modes	Resolution	V. Frequency (Hz)	H. Frequency [Hz]
VGA	640 x 480	60	31.5
	640 x 480	67	35.0
	640 x 480	72	37.9
	640 x 480	75	37.5
	640 x 480	85	43.3
IBM	720 x 400	70	31.5
SVGA	800 x 600	56	35.1
	800 x 600	60	37.9
	800 x 600	72	48.1
	800 x 600	75	46.9
	800 x 600	85	53.7
Apple®, MAC II	832 x 624	75	49.1
XGA	1024 x 768	60	48.4
	1024 x 768	70	56.5
	1024 x 768	75	60.0
	1024 x 768	85	68.7
	1024 x 768	120	99.0
Apple, MAC II	1152 x 870	75	68.7
SXGA	1280 x 1024	60	64.0
	1280 x 1024	72	77.0
	1280 x 1024	75	80.0
QuadVGA	1280 x 960	60	60.0
	1280 x 960	75	75.2
SXGA +	1400 x 1050	60	65.3
UXGA	1600 x 1200	60	75.0

VGA analog continued

b. Extended wide timing			
Modes	Resolution	V. Frequency (Hz)	H. Frequency [Hz]
WXGA	1280 x 720	60	44.8
	1280 x 800	60	49.6
	1366 x 768	60	47.7
	1440 x 900	60	59.9
WSXGA X +	1680 x 1050	60	65.3

c. Component signal			
Modes	Resolution	V. Frequency (Hz)	H. Frequency [Hz]
480i	720 x 480 (1440 x 480)	59.94 (29.97)	15.7
576i	720 x 567 (1440 x 576)	50 (25)	15.6
480p	720 x 480	59.94	31.5
576p	720 x 576	50	31.3
720p	1280 x 720	60	45.0
	1280 x 720	50	37.5
1080i	1920 x 1080	30 (30)	33.8
	1920 x 1080	50 (25)	28.1
1080p	1920 x 1080	2398/24	27.0
	1920 x 1080	60	67.5
	1920 x 1080	50	56.3

HDMI digital

d. PC signal			
Modes	Resolution	V. Frequency (Hz)	H. Frequency [Hz]
VGA	640 x 480	60	31.5
	640 x 480	67	35.0
	640 x 480	72	37.9
	640 x 480	75	37.5
	640 x 480	85	43.3
IBM	720 x 400	70	31.5
SVGA	800 x 600	56	35.1
	800 x 600	60	37.9
	800 x 600	72	48.1
	800 x 600	75	46.9
	800 x 600	85	53.7
Apple, MAC II	832 x 624	75	49.1
XGA	1024 x 768	60	48.4
	1024 x 768	70	56.5
	1024 x 768	75	60.0
	1024 x 768	85	68.7
	1024 x 768	120	99.0
Apple, MAC II	1152 x 870	75	68.7
SXGA	1280 x 1024	60	64.0
	1280 x 1024	72	77.0
	1280 x 1024	75	80.0
Quad VGA	1280 x 960	60	60.0
	1280 x 960	75	75.2
SXGA +	1400 x 1050	60	65.3
UXGA	1600 x 1200	60	75.0

HDMI digital continued

e. Extended wide trimming			
Modes	Resolution	V. Frequency (Hz)	H. Frequency [Hz]
WXGA	1280 x 720	60	44.8
	1280 x 800	60	49.6
	1366 x 768	60	47.7
	1440 x 900	60	59.9
WSXGA +	1680 x 1050	60	65.3

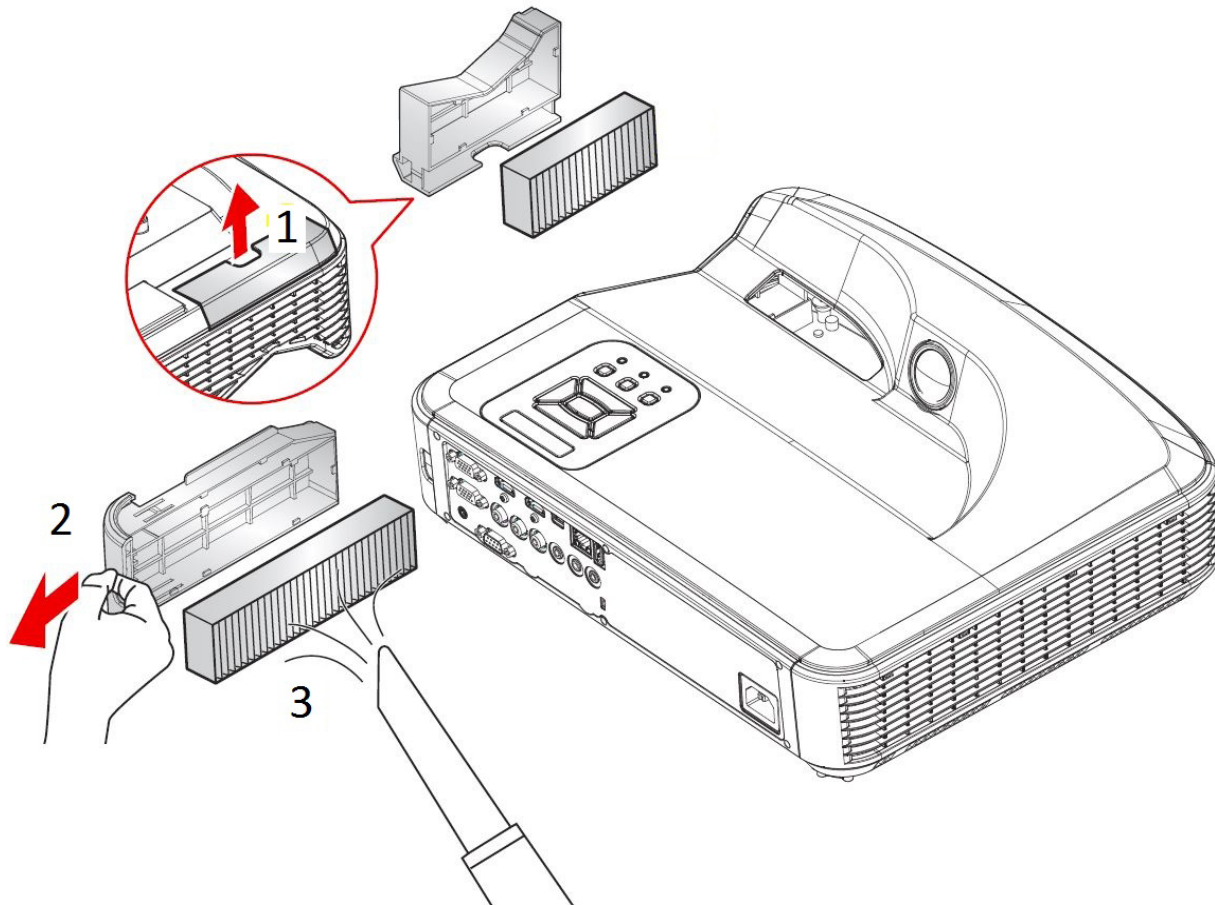
f. Video signal			
Modes	Resolution	V. Frequency (Hz)	H. Frequency [Hz]
480p	640 x 480	59.94/60	31.5
480i	720 x 480 (1440 x 480)	59.94 (29.97)	15.7
576i	720 x 576 (1440 x 576)	50 (25)	15.6
480p	720 x 480	59.94	31.5
576p	720 x 576	50	31.3
720p	1280 x 720	60	45.0
	1280 x 720	50	37.5
1080i	1920 x 1080	60 (30)	33.8
	1920 x 1080	50 (25)	28.1
1080p	1920 x 1080	23.98/24	27.0
	1920 x 1080	60	67.5
	1920 x 1080	50	56.3

g. HDMI 1.4a mandatory 3D timing - video signal			
Modes	Resolution	V. Frequency (Hz)	H. Frequency [Hz]
Frame packing	720p	50	31.5
	720p	59.94/60	15.7
	1080p	23.98/24	15.6
Side-by-side (half)	1080i	50	31.5
	1080i	59.94/60	31.3
Top and bottom	720p	50	45.0
	720p	59.94/60	37.5
	1080p	23.98/24	33.8

Installing and cleaning the dust filter

We recommend cleaning the filter annually. If you are operating the projector in a dusty environment, we recommend cleaning the filter after every 2,500 hours of use.

New filters can be ordered via orders@nureva.com using the service part number SRV-FILTER.



Before you begin, turn the projector off and unplug the power cord.

1. Pull the dust filter container out from the projector
2. Carefully remove the dust filter from the dust filter container
3. Either clean the filter or replace it with a new filter
4. Put the dust filter container back inside the projector and press the power button to turn the projector on
5. Press the menu button to enter the OSD, select the options menu and use the Filters Remind option to reset the counter

Regulation and safety notices

FCC Notice

This device has been tested and found to comply with the limits for a Class B digital device pursuant to Part 15 of the FCC rules. These limits are designed to provide reasonable protection against harmful interference in a residential installation. This device generates, uses and can radiate radio frequency energy and, if not installed and used in accordance with the instructions, may cause harmful interference to radio communications. However, there is no guarantee that interference will not occur in a particular installation. If this device does cause harmful interference to radio or television reception, which can be determined by turning the device off and on, the user is encouraged to try to correct the interference by one or more of the following measures:

- Reorient or relocate the receiving antenna
- Increase the separation between the device and receiver
- Connect the device into an outlet on a circuit different from that to which the receiver is connected
- Consult the dealer or an experienced radio/television technician for help

Notice: Shielded cables

All connections to other computing devices must be made using shielded cables to maintain compliance with FCC regulations.

Caution

Changes or modifications not expressly approved by the manufacturer could void the user's authority, which is granted by the Federal Communications Commission, to operate this projector.

Operation conditions

This device complies with Part 15 of the FCC Rules. Operation is subject to the following two conditions:

1. This device may not cause harmful interference and
2. This device must accept any interference received, including interference that may cause undesired operation

Notice: Canadian users/*Remarque à l'intention des utilisateurs Canadiens*

This Class B digital apparatus complies with Canadian ICES-003.

Cet appareil numérique de la classe B est conforme à la norme NMB-003 du Canada.

Regulation and safety notices

Declaration of Conformity for EU countries

- EMC Directive 2004/108/EC (including amendments)
- Low Voltage Directive 2006/95/EC
- R & TTE Directive 1999/5/EC (if product has RF function)

WEEE Statement

To return any product for proper treatment and recycling, contact your local authority or your local reseller.

SAFETY WARNINGS AND IMPORTANT INFORMATION



WARNING: Never operate this system if it is damaged. Do not open or modify the parts or accessories. Do not use with parts or accessories not recommended by the manufacturer. Contact your reseller with questions regarding replacement parts.



WARNING: The projector is a Class 2 laser device. Do not stare into projector beam. The bright light may result in permanent eye damage.

IMPORTANT: This projector is a Class 2 laser device that conforms to IEC 60825-1: 2007 and CFR 1040.10 and 1040.11. Except for deviations to Laser Notice No.50 dated June 24 2007.

IMPORTANT: Carefully inspect installation area.

- Avoid areas with high temperatures, humidity or concentration of dust (such as near vents or air conditioners)
- Ensure the projector gets adequate ventilation
- Do not install on walls subject to vibrations and shocks

IMPORTANT: Do not use chemical or abrasive cleaners on the equipment

IMPORTANT: Avoid touching the optical components to prevent scratches

PRÉCAUTIONS DE SÉCURITÉ INFORMATION IMPORTANT



AVERTISSEMENT: Ne faites jamais fonctionner ce système s'il est endommagé. N'ouvrez ni modifiez jamais les composants de l'appareil. Ne modifiez pas les accessoires ni l'utiliser avec les composants non recommandés par le fabricant. Contactez votre revendeur si vous avez des questions à l'égard des pièces de remplacement.



AVERTISSEMENT: Ceci est un appareil à laser de classe 2. Ne pas regarder directement dans le rayon de lumière émit par le projecteur. La lumière intense peut entraîner des dommages oculaires permanents.

IMPORTANT: Ce projecteur est un appareil laser de Classe 2, qui conforme à la norme CEI 60825- 1: 2007 et CFR 1040. 10 et 1040. 11 ; sauf à l'exception des déviations d'avertissement laser No.50 datée du 24 juin 2007.

IMPORTANT: Inspectez soigneusement la zone de montage.

- Évitez les zones à hautes températures, d'humidité, ou tenant une haute concentration de poussière (par exemple près des événements ou des climatiseurs)
- S'assurer que le projecteur recevra une ventilation adéquate
- N'installez pas sur des murs inclinés ou ceux sensibles aux vibrations et aux chocs

IMPORTANT: Ne pas utiliser des nettoyeurs chimiques ni abrasifs sur l'équipement

IMPORTANT: Eviter de toucher les composants optiques pour éviter les rayures

Appendix

LED state map

Operating mode	Projector SSI (all models)			WM408i
	Power indicator	Temperature indicator	SSI indicator	Control Module NTP-1
Stand-by	Red - Solid			White - Solid
Start-up	Red - Blink			Blue - Blink
Operational	Blue - Solid			Blue - Solid
Shutdown	Red - Blink			White - Blink*
Mute				
Bootloader Updater mode				
F/W update	Red - Solid	Red - Solid	Red - Solid	White/Blue - Blink
Error Diagnostics				
Colour wheel		Red - Flicker		
LD Overheat		Red - Solid		
Power failure		Red - Solid	Red - Solid	
LD Voltage			Red - Solid	
No Touch				
LCM Alignment				
General Error				
No USB enumeration				Red - Solid
No RS232 projector				Red - Solid
No Service				Red - Blink
+5 VDC disconnected				Off
System Reset				Red/Green/Blue - Blink**