

4

3

2

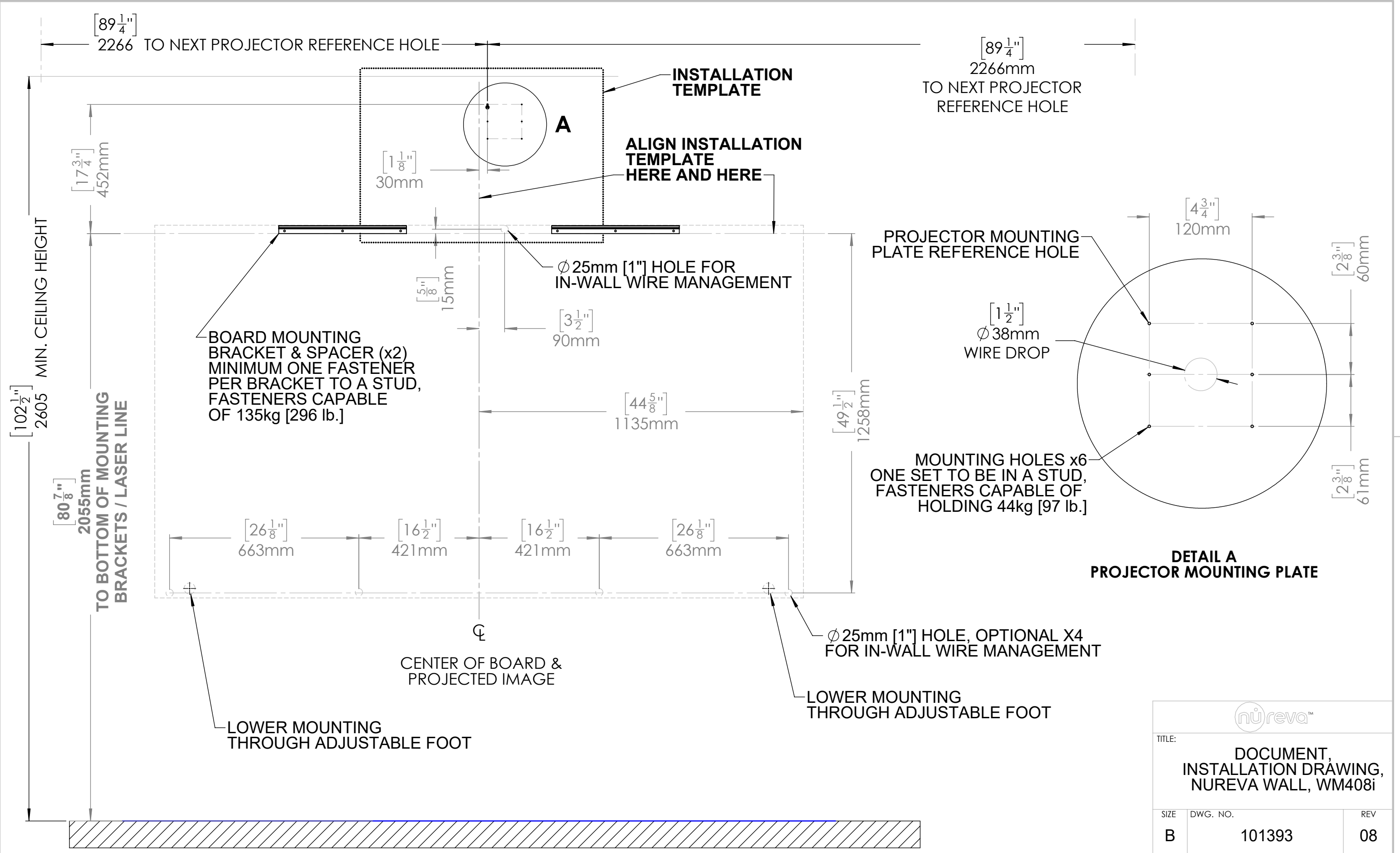
1

B

B

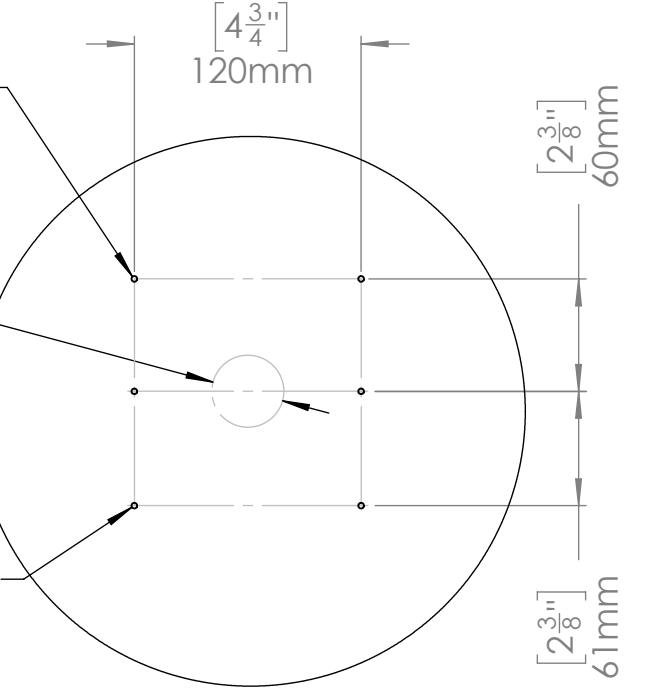
A

A



PROJECTOR MOUNTING
PLATE REFERENCE HOLE

MOUNTING HOLES x6
ONE SET TO BE IN A STUD,
FASTENERS CAPABLE OF
HOLDING 44kg [97 lb.]



DETAIL A
PROJECTOR MOUNTING PLATE

TITLE: DOCUMENT, INSTALLATION DRAWING, NUREVA WALL, WM408i		
SIZE	DWG. NO.	REV
B	101393	08
SCALE: NTS		SHEET 1 OF 2

4

3

2

1

WM408i WITH HDL300 INSTALLATION

SINGLE WM408I SYSTEM

HDL300
AUDIO SYSTEM

[16 7/8"]
430mm

PROJECTOR
MOUNTING PLATE

[31 1/2"]
800mm

NTP-1 BOARD

[9 1/2"]
242mm
TO PROJECTOR
REFERENCE HOLE

WM408i CORNER INSTALLATION

[45 1/8"]
1146mm
TO PROJECTOR
REFERENCE HOLE

B

[47 3/8"]
1205mm
TO PROJECTOR
REFERENCE HOLE

DUAL WM408I SYSTEM

PROJECTOR
MOUNTING PLATE

HDL300
AUDIO SYSTEM

[89 1/4"]
2266

[31 1/2"]
800mm

[30"]
763mm

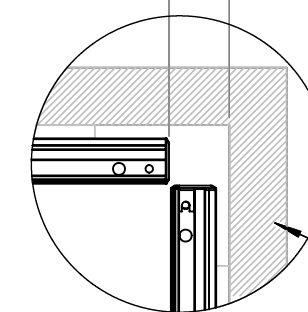
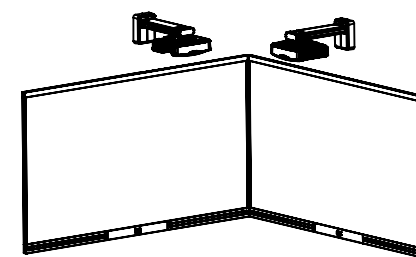
PROJECTOR
MOUNTING PLATE

[15 3/4"]
400mm

BETWEEN
NTP-1 BOARDS

[7 1/8"]
181mm REF
TO TOP OF
BOARD

[9 1/2"]
242mm
TO PROJECTOR
REFERENCE HOLE



DETAIL B
CORNER DETAILS

[1 5/8"]
40mm
REF. WITH MOUNTING
BRACKET SPACERS *
[1 1/4"]
31mm
* WITHOUT MOUNTING
BRACKET SPACERS

WALL

TITLE: DOCUMENT, INSTALLATION DRAWING, NUREVA WALL, WM408i		
SIZE	DWG. NO.	REV
B	101393	08
SCALE: NTS		SHEET 2 OF 2

4

3

2

1

B

B

A

A