



NUREVA™ WALL

INSTALLATION GUIDE



# Important

## SAFETY WARNINGS

Prior to installing this product, ensure you fully read and understand the installation instructions. Failure to do so could result in personal injury or property damage. You are responsible for ensuring all components are properly assembled and installed using the instructions provided. Keep this information sheet and related product manuals for future reference.

## SAFETY WARNINGS

The manufacturer shall not be legally responsible for any property damage or personal injury caused by incorrect installation of the equipment or operation outside of the user's manual. The manufacturer shall not be liable for damage to property or personal injuries arising out of factors beyond the manufacturer's control.

**WARNING:** This projector is a Class 2 laser device. Do not stare into the projector beam. The bright light may result in permanent eye damage.



**WARNING:** Never operate this equipment if it is damaged. Do not modify the parts or accessories. Opening the projector's case exposes you to risk of electrical shock. Do not use with parts or accessories not recommended by the manufacturer. Contact your reseller with questions regarding replacement parts.



**WARNING:** Ensure that any cables used with the equipment are properly bundled, routed, covered or constrained if they cross the floor or pose a tripping hazard.

**WARNING:** Failure to provide adequate structural strength for the wall mount can result in serious personal injury or damage to property. The anchors and wall to which this equipment is attached can support four times the combined weight of all equipment. Ensure the wall structure is reinforced as required before installing the equipment.



**WARNING:** Exceeding the wall mount's weight capacity can result in serious personal injury or damage to equipment. The installer is responsible for ensuring the combined weight of all components attached to the wall mount does not exceed 33 lb. (15 kg).



**WARNING:** Adding additional weight to the wall mount by leaning, hanging or storing items on it can result in serious personal injury or damage to property.

**IMPORTANT:** Do not use chemical or abrasive cleaners on the equipment.

**IMPORTANT:** Avoid touching the optical components to prevent scratches.

**IMPORTANT:** Do not expose the equipment to moisture or damp environments. This equipment is not intended for outdoor use.

**IMPORTANT:** This product can expose you to chemicals including DINP, a chemical known to the State of California to cause birth defects or other reproductive harm. For more information, go to [www.P65Warnings.ca.gov/products](http://www.P65Warnings.ca.gov/products).



# Important

## SAFETY WARNINGS

**NOTICE:** This projector is a Class 2 laser device that conforms to IEC 60825-1: 2007 and CFR 1040.10 and 1040.11. Except for deviations to Laser Notice No.50 dated June 24 2007.

### FCC NOTICE

This device has been tested and found to comply with the limits for a Class B digital device pursuant to Part 15 of the FCC rules. These limits are designed to provide reasonable protection against harmful interference in a residential installation. This device generates, uses and can radiate radio frequency energy and, if not installed and used in accordance with the instructions, may cause harmful interference to radio communications. However, there is no guarantee that interference will not occur in a particular installation. If this device does cause harmful interference to radio or television reception, which can be determined by turning the device off and on, the user is encouraged to try to correct the interference by one or more of the following measures:

- Reorient or relocate the receiving antenna
- Increase the separation between the device and receiver
- Connect the device into an outlet on a circuit different from that to which the receiver is connected
- Consult the dealer or an experienced radio/television technician for help

**SHIELDED CABLES:** All connections to other computing devices must be made using shielded cables to maintain compliance with FCC regulations.

**CAUTION:** Changes or modifications not expressly approved by the manufacturer could void the user's authority, which is granted by the Federal Communications Commission, to operate this projector.

**OPERATION CONDITIONS:** This device complies with Part 15 of the FCC Rules. Operation is subject to the following two conditions:

1. This device may not cause harmful interference and
2. This device must accept any interference received, including interference that may cause undesired operation

### INDUSTRY CANADA STATEMENT

This Class A/B digital apparatus meets all requirements of the Canadian Interference Causing Equipment Regulations.

Operation is subject to the following two conditions:

1. This device may not cause harmful interference, and
2. This device must accept any interference received, including interference that may cause undesired operation

# Table of contents

## **BEFORE YOU BEGIN**

What's in the box	<b>4</b>
You must supply	<b>5</b>

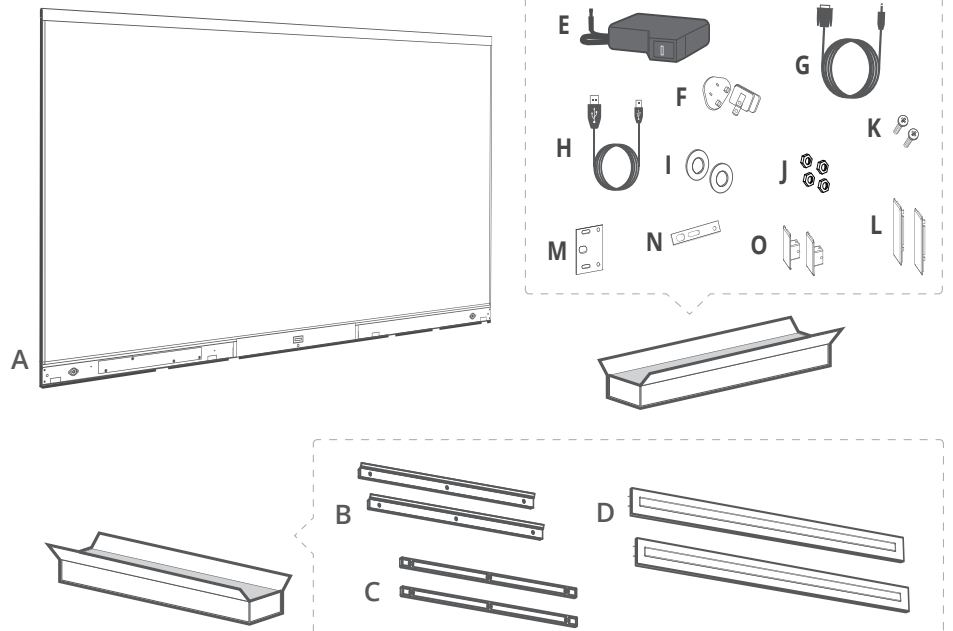
## **INSTALLATION — RECOMMENDED STEPS TO A SUCCESSFUL SETUP**

1. Determine the installation location	<b>6</b>
2. Install the system	<b>7</b>
3. Initial adjustment of the projected image(s)	<b>17</b>
4. Connection your system (connection diagrams)	<b>19</b>
5. Adjust the projected image and touch	<b>21</b>
6. Install the HDL300 audio conferencing system	<b>24</b>

# What's in the box

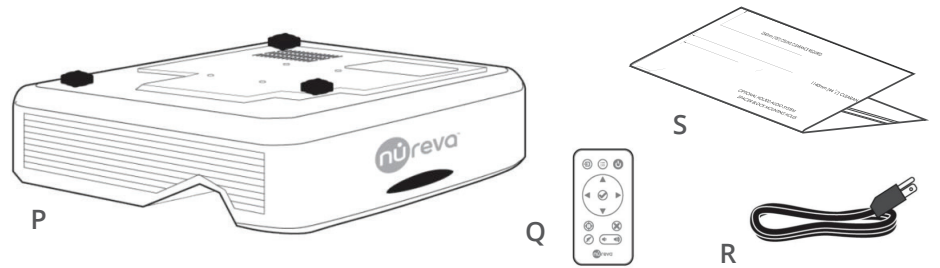
## Box 1: Touch panel

- A Touch panel
- B Wall brackets
- C Wall spacers
- D Front covers
- E Power supply
- F Power adapters (x4)
- G RS232 to 3.5mm cable
- H USB A-B cable
- I Washers
- J Bottom end-cap nuts
- K Top end-cap screws
- L Bottom end-caps
- M Bottom connector plate
- N Top connector plate
- O Top end-caps
- Warranty and warnings documents



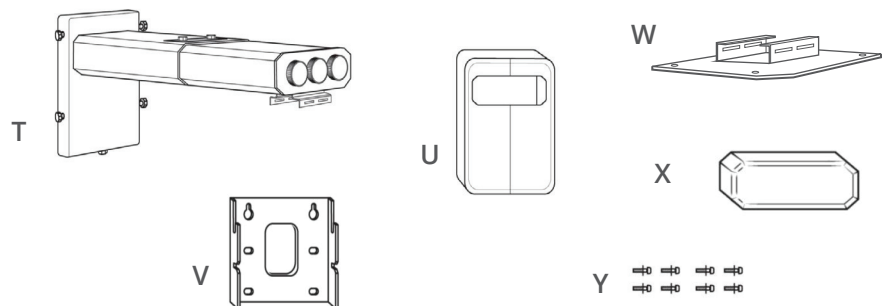
## Box 2: Projector

- P Interactive projector
- Q Projector remote control
- R Country-specific power cable
- S Installation template
- Warranty, warnings, Quick start guide, installation drawing and outline drawing documents













## Box 3: Wall mount

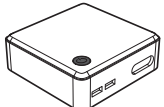





- T Wall mount
- U Wall mount covers
- V Wall plate
- W Projector plate
- X Mount end-cap
- Y Screws to attach plate to projector (x4) and screws to attach projector to mount (x4).
- Warranty and warnings documents

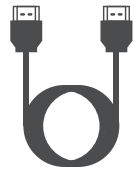




# You must supply

To install the system successfully, you need to provide the following items. Go through these checklists and ensure everything is on hand before you begin to install the system.

✓ TOOLS		
<input type="checkbox"/>		Step ladder
<input type="checkbox"/>		Laser level
<input type="checkbox"/>		Screw driver
<input type="checkbox"/>		Stud finder
<input type="checkbox"/>		Measuring tape
<input type="checkbox"/>		8 mm wrench
<input type="checkbox"/>		10 mm wrench
<input type="checkbox"/>		#2 Phillips screwdriver
<input type="checkbox"/>		Pencil
<input type="checkbox"/>		Tape

✓ Hardware			
Single system	Double system	Triple system	
<input type="checkbox"/>	<input type="checkbox"/>	<input type="checkbox"/>	 PC must meet the following specifications: <ul style="list-style-type: none"> <li>• Windows® 10 or higher</li> <li>• Intel® i5 or equivalent</li> <li>• HDMI video out port or adapter</li> <li>• Supports 1920 x 1080 display resolution</li> <li>• 4GB+ RAM</li> <li>• 2GB+ free storage</li> <li>• 1 GB video memory (per projector)</li> </ul>
<input type="checkbox"/>	<input type="checkbox"/>	<input type="checkbox"/>	 Wireless keyboard and mouse
<input type="checkbox"/>	<input type="checkbox"/>	<input type="checkbox"/>	 Toggle™ snaptoggle Model BB or a similar anchor
<input type="checkbox"/>	<input type="checkbox"/>	<input type="checkbox"/>	 3/16-24 x 2.5" screws *May require washers
<input type="checkbox"/>	<input type="checkbox"/>	<input type="checkbox"/>	 1/4-20 x 4" screws *Optional
<input type="checkbox"/>	<input type="checkbox"/>	<input type="checkbox"/>	 Min. #10 or M5 Screws *Optional for wood studs. May require washers.

✓ CABLES and CONNECTIONS			
Single system	Double system	Triple system	
<input type="checkbox"/>	<input type="checkbox"/>	<input type="checkbox"/>	HDMI cable 

✓ POWER REQUIREMENTS			
Single system	Double system	Triple system	
<input type="checkbox"/>	<input type="checkbox"/>	<input type="checkbox"/>	Power outlet 110-240 V  

# 1. Determine the installation location

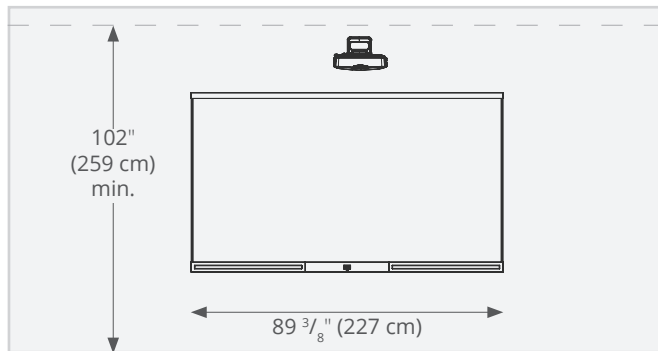
Ensure the area you select to install your system meets the following requirements and recommendations.

## Space requirements

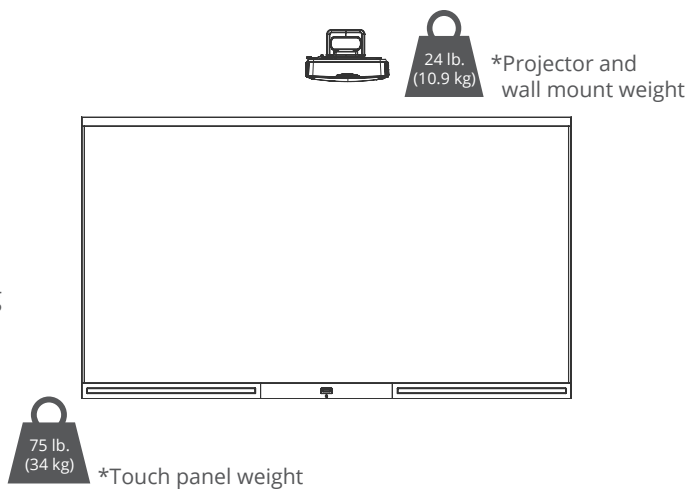
---

The installation drawing for your system is both included in the projector box and available online at

<https://support.nialli.com>



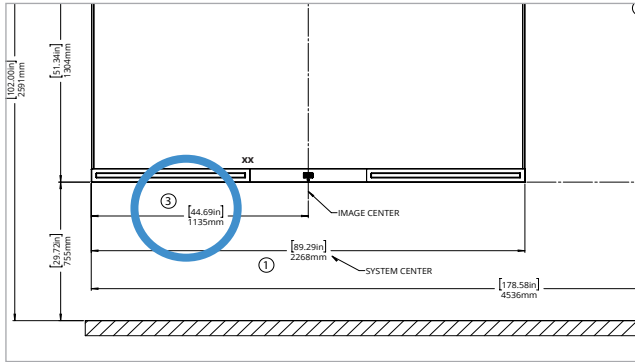
**Note:** The surface the system is mounted on is capable of supporting **4 times** the weight of the system.







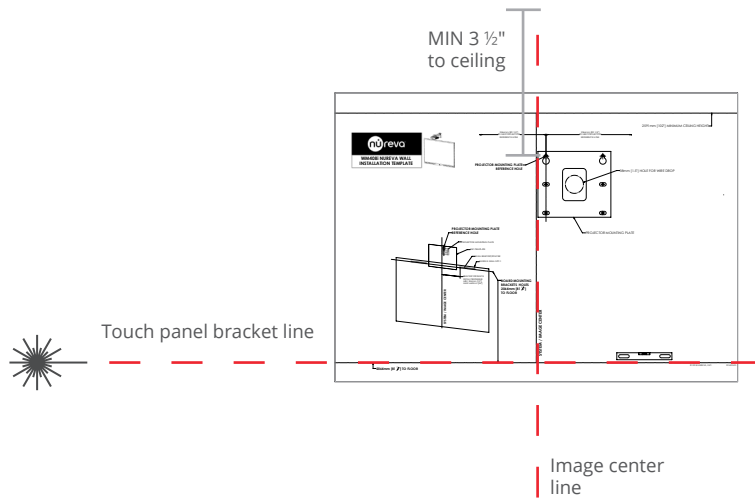
### 2.1.4



From the system center, measure and mark the image center for each touch panel location.

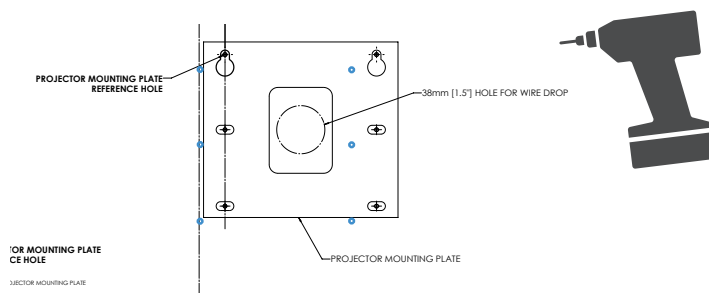
Refer to installation measurement ③ on your installation drawing.

### 2.1.5



Align and tape the installation template to the wall according to the instructions on the template.

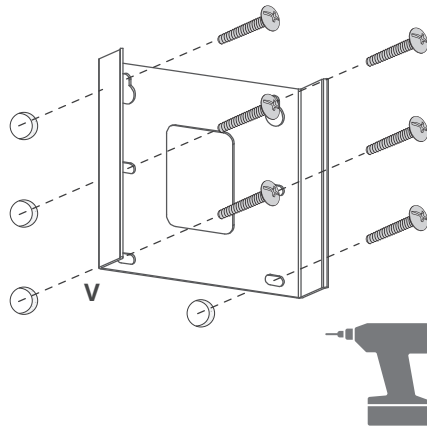
### 2.1.6



Drill out the projector wall plate holes marked on the template using a 1/4" drill bit.

For a location with a stud, use the appropriate hardware.

### 2.1.7



Ensure the wall mount plate is level.

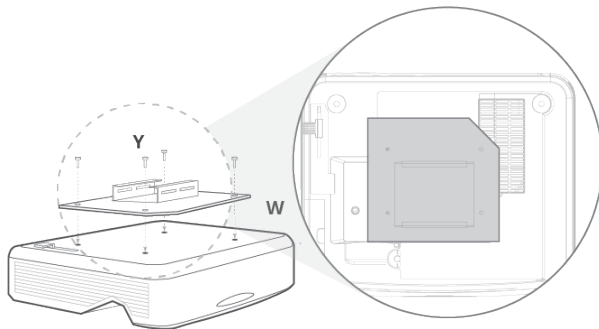
Mount the wall mount plate(s) to the wall using screws and wall anchors.

Install the wall anchors according to the manufacturer instructions.

Where possible, secure the wall mount plate to a wall stud.

## 2.2 Install the wall mount and projector

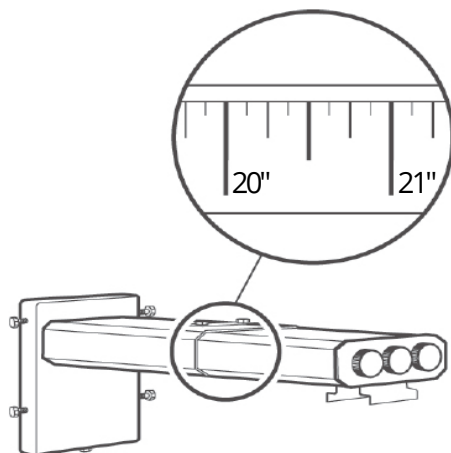
### 2.2.1



Attach the projector plate(s) with four of the screws provided.

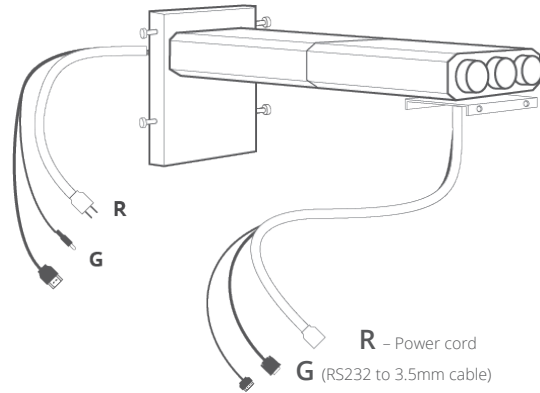
Position the plate so the chamfered corner is closest to the projector vent.

### 2.2.2



Adjust the wall mount length to 20 1/2 and tighten the top bolts. Repeat with the remaining wall mounts.

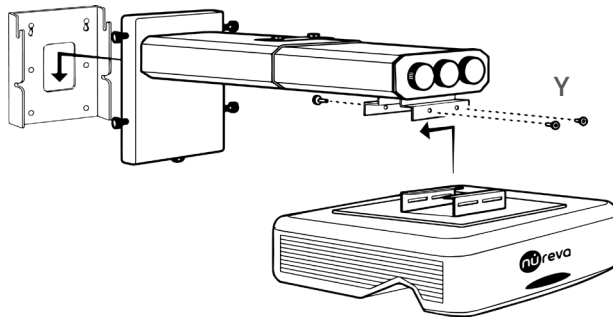
### 2.2.3



Feed the projector power cord, RS232 to 3.5mm cord and HDMI cord through the wall mount.

Ensure the correct connector ends are being fed through. Repeat with the remaining wall mounts.

### 2.2.4

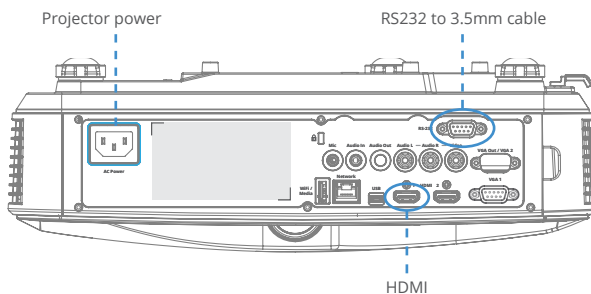


Attach the wall mount to the wall mount plate.

Attach the projector to the wall mount with four of the screws provided.

Repeat with any remaining wall mounts and projectors.

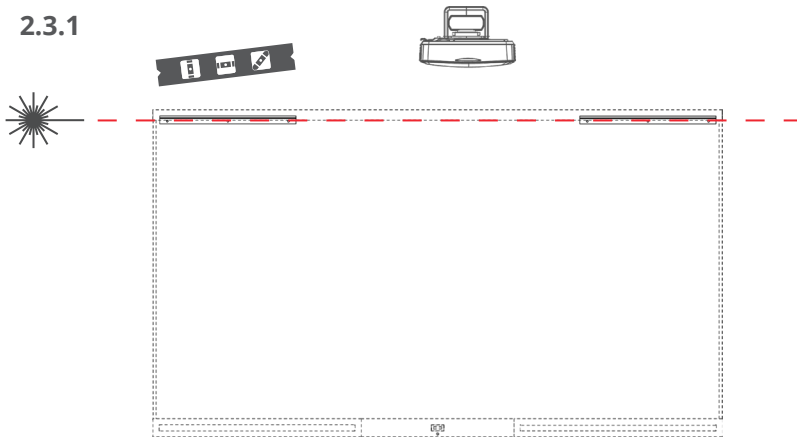
### 2.2.5



Attach the cables from the wall mount to the back of the projector.

## 2.3 Install the touch panel

### 2.3.1



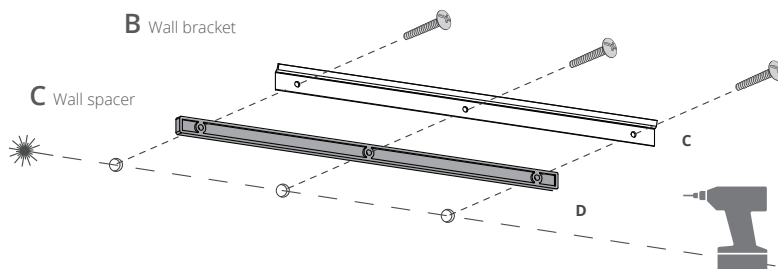
Mark the locations for the touch panel bracket holes along the laser line.

Where possible, align a bracket hole to a wall stud.

Use a level to make sure the marks are in-line.

Refer to installation measurement ④ on your installation drawing.

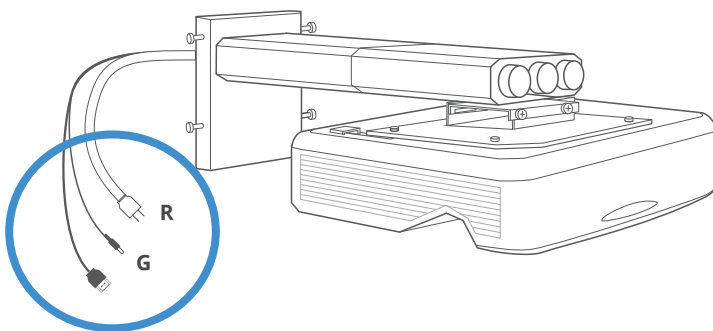
### 2.3.2



Attach the brackets to the wall using the recommended wall anchors.

Use the optional spacers if you're running cords behind the touch panel.

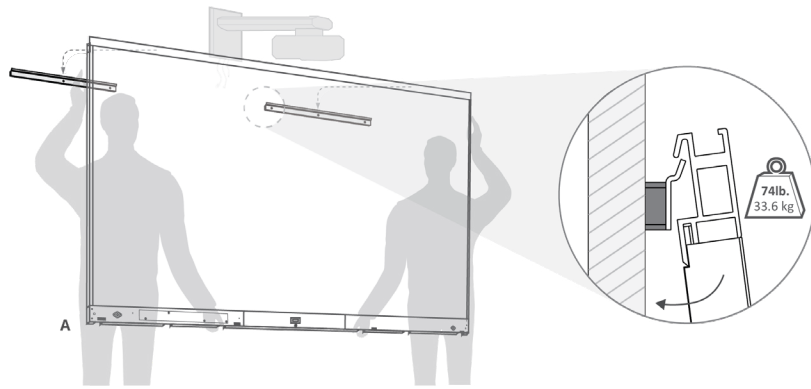
### 2.3.3



Make sure that the RS232 to 3.5mm cord is out of the way from where the touch panel will be mounted.

If using the spacers, the power and HDMI cables can run behind the touch panel. Otherwise, make sure they are clear from where the touch panel will be mounted as well.

### 2.3.4

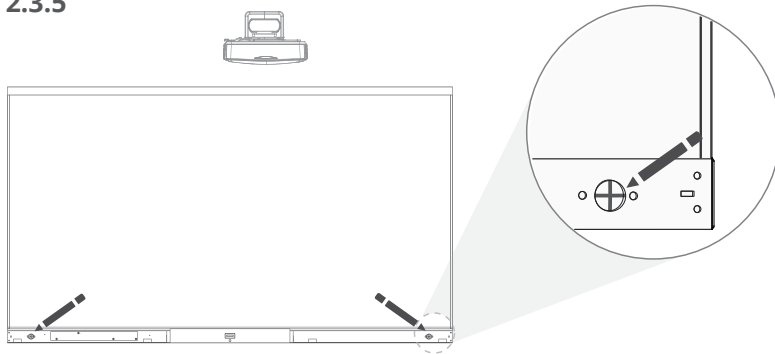


With the help of one other person, lift the touch panel up and angle it to hook onto the wall brackets.

Lower the bottom of the touch panel until it rests against the wall.

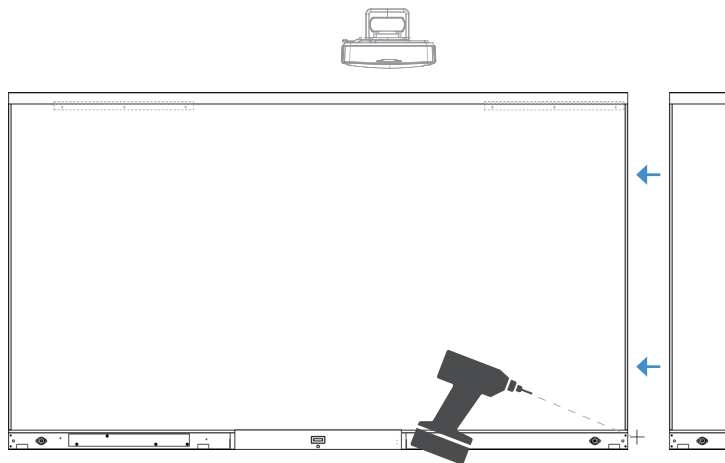
Make sure that all touch panels are centered on the image centerline. Do not center the touch panels to the projector.

### 2.3.5



Mark where the adjustment feet land on the wall - there are two adjustment feet locations for each touch panel.

### 2.3.6

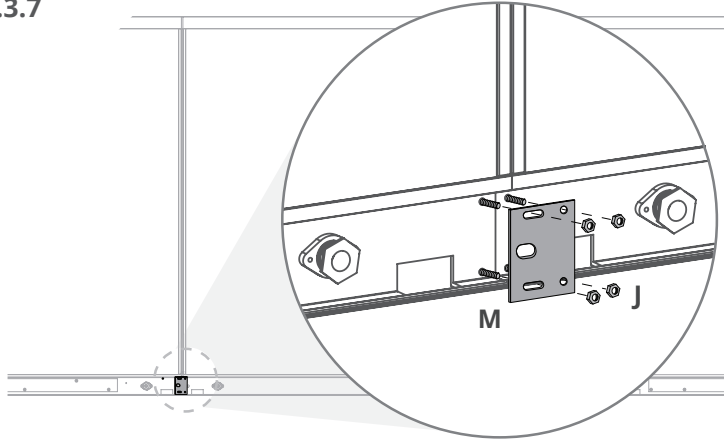


Slide the touch panel on the wall brackets until it's out of the way to drill the marked location.

Insert a recommended wall anchor at each drilled location.

Repeat for each touch panel.

2.3.7

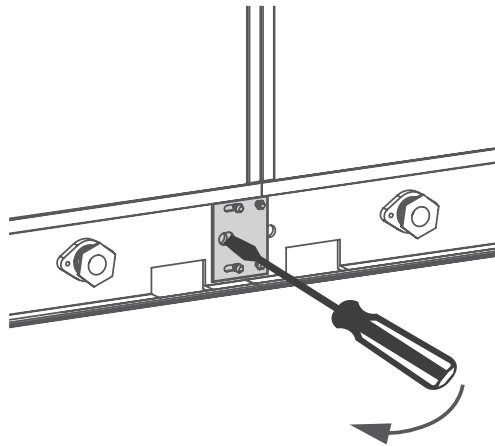


Slide all touch panels together at their final location.

Mount the bottom connector plate onto the studs.

Lightly screw on the nuts.

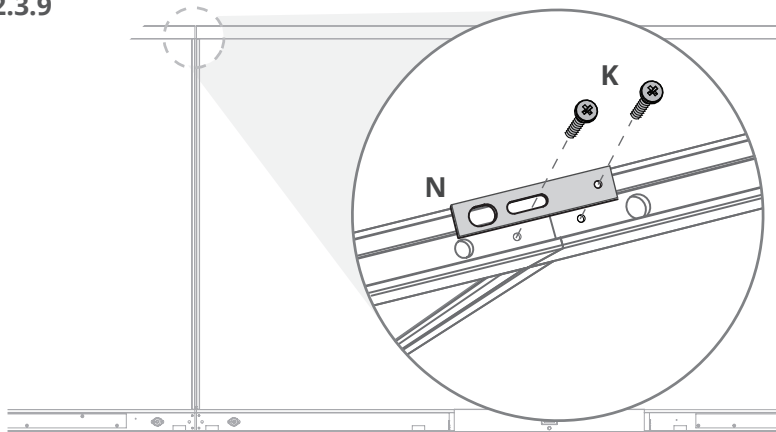
2.3.8



Use a screwdriver to lever the touch panels closer together.

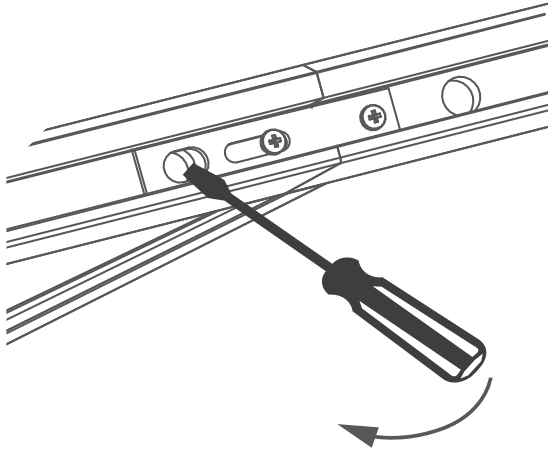
Tighten the nuts.

2.3.9



Mount the top joiner plate and lightly screw in the screws.

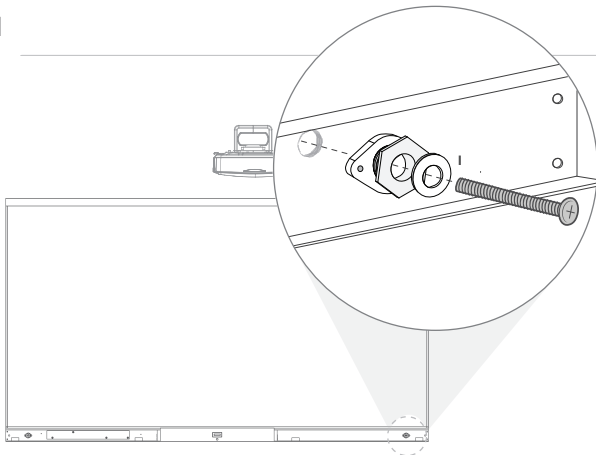
### 2.3.10



Use a screwdriver to lever the touch panels closer together.

Tighten the screws.

### 2.3.11

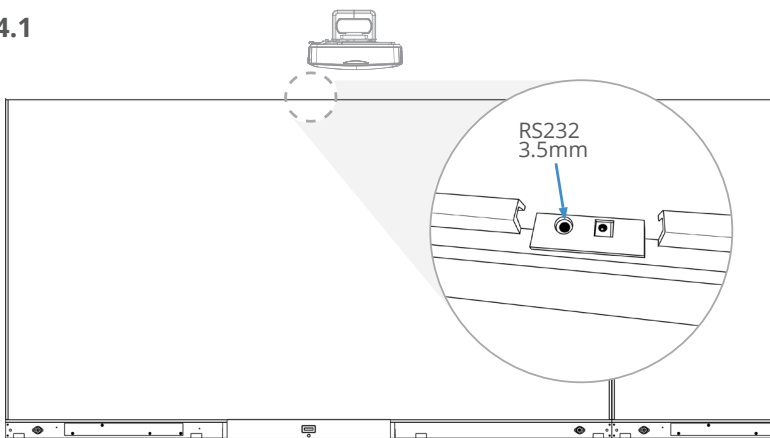


Secure the bottom of the panel to the lower anchors through the adjusters.

Use the adjusters to level the boards to each other and to make up for any wall irregularities before securing the screws.

## 2.4 Connect the hardware

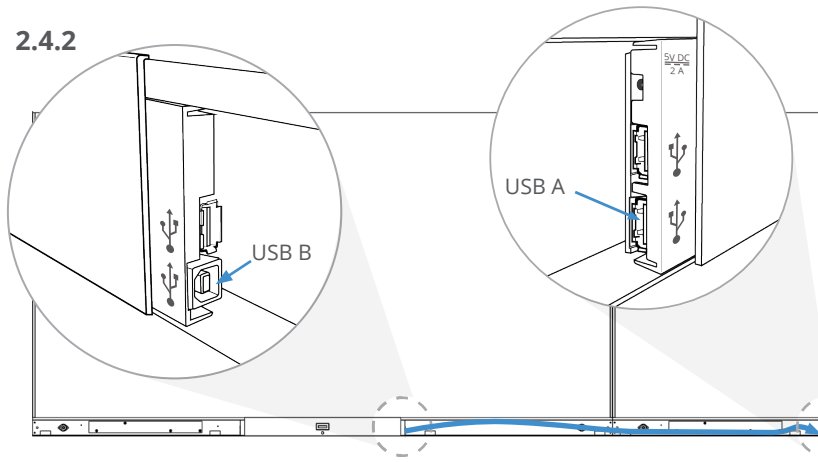
### 2.4.1



Connect the RS232 to 3.5mm cable from the projector to the touch panel.

Repeat for each touch panel.

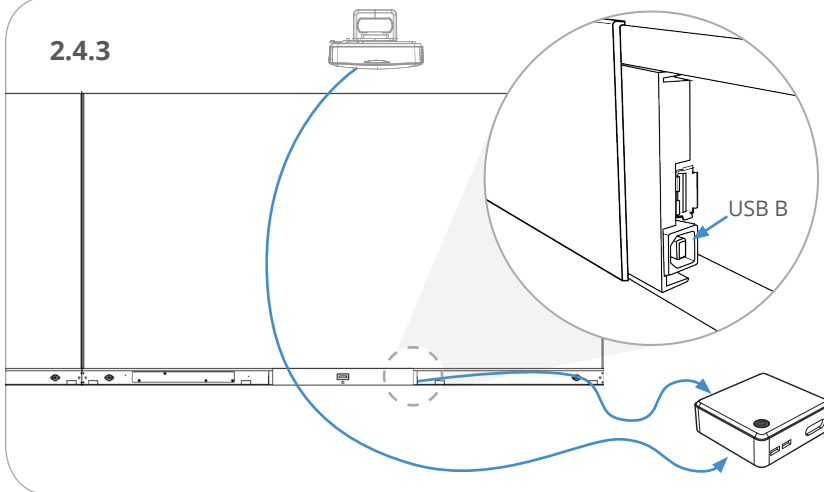
### 2.4.2



Daisy chain the boards together by connecting the USB A-B cord to the ports on the control module of one touch panel to the next.

Repeat for each touch panel.

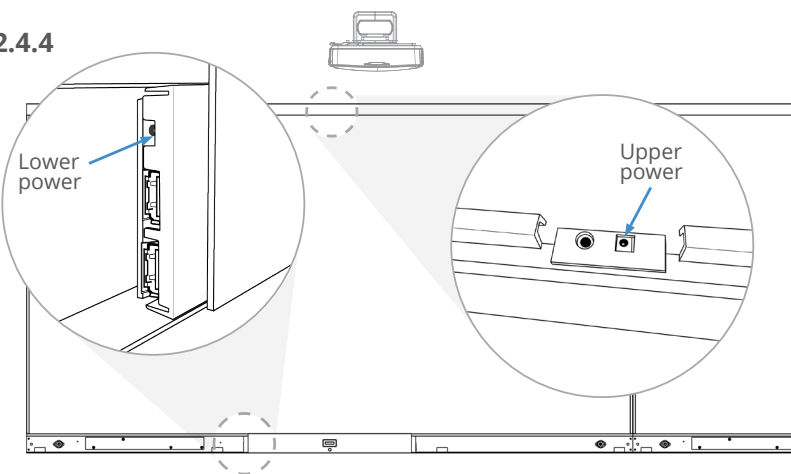
### 2.4.3



Connect the last touch panel to the computer using another USB A-B cord.

Connect each projector HDMI cable to the computer.

### 2.4.4



Attach the appropriate power adapter (F) to the 5 V power supply (E).

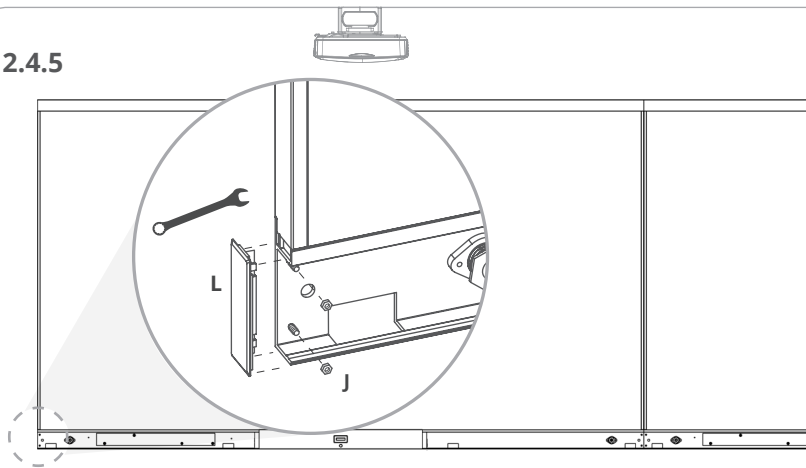
Connect the power cable from an outlet to either the upper or lower power connection.

**!** Only use APD WB-10E05R adapters with the touch panel.

Repeat for each touch panel.

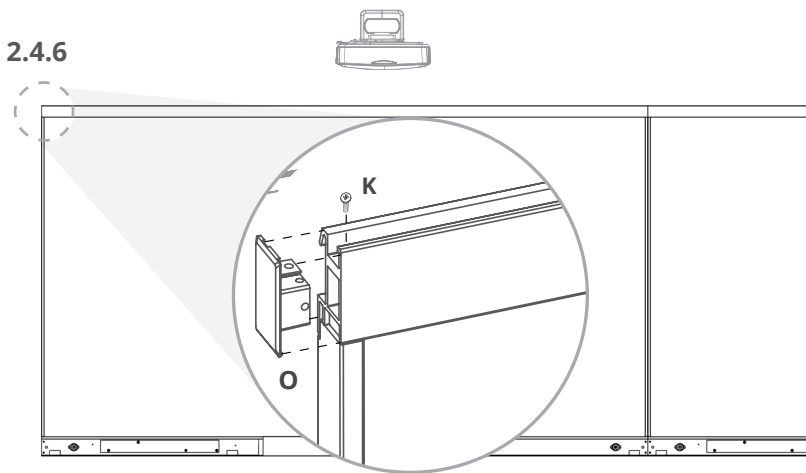


2.4.5



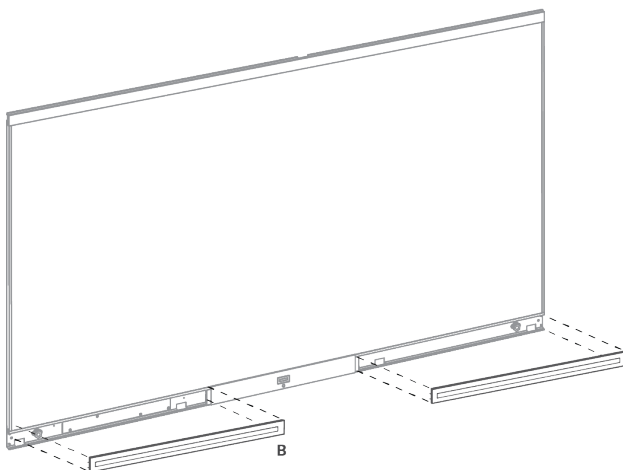
Secure the bottom end caps using the nuts provided.

2.4.6



Secure the top end caps in place using the screws provided.

2.4.7



Snap on the front panel covers.

### 3. Initial adjustment of the projected image(s)

#### 3.1.1

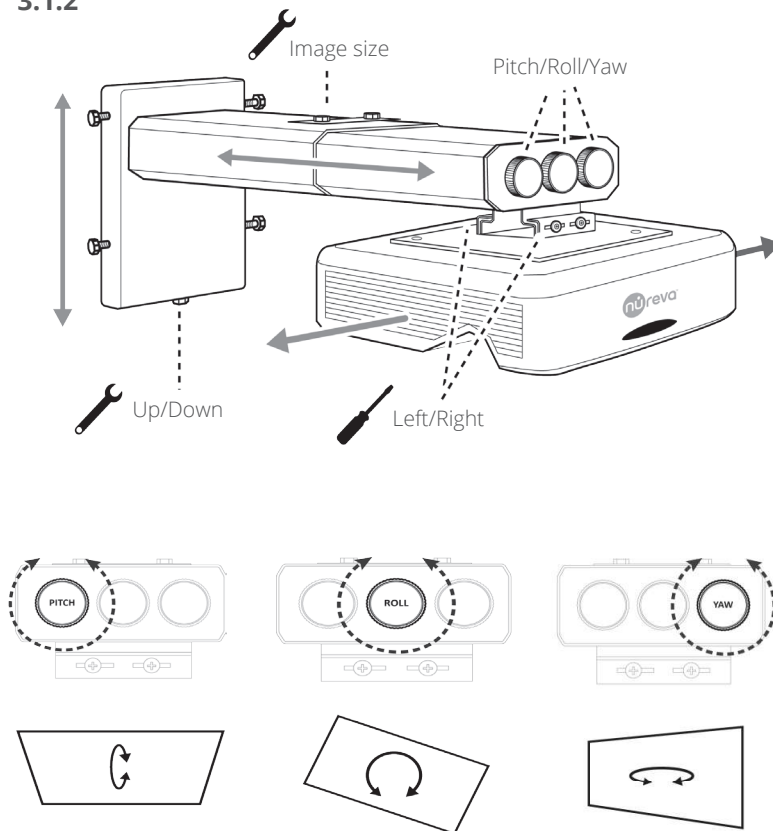


Power on your projector.

Powering on your projector without video input will bring up the Nureva splash page.

Use the splash page for the initial adjustment of your projected image.

#### 3.1.2



Use the adjustment options on the mount to straighten and square off the projected image.

**Do not worry about precision at this stage.** You will use software to adjust the images later in the process.

## 3.1.3

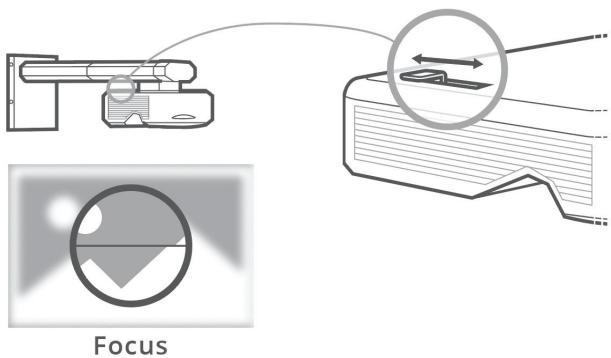


Align the Nureva splash screen image to the touch panel bezel.

Set the projected image as close to 100" (254 cm) across the diagonal as possible.

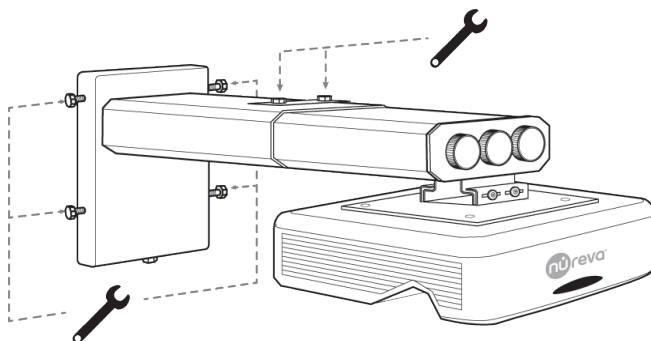
For dual or triple systems, make sure the splash screen hairline aligns with the top, middle and the bottom of the bezel. This will minimize the amount of image lost during step 5.3.3.

## 3.1.4



Use the slider on the side of the projector to bring the image into focus. Repeat with any remaining projectors.

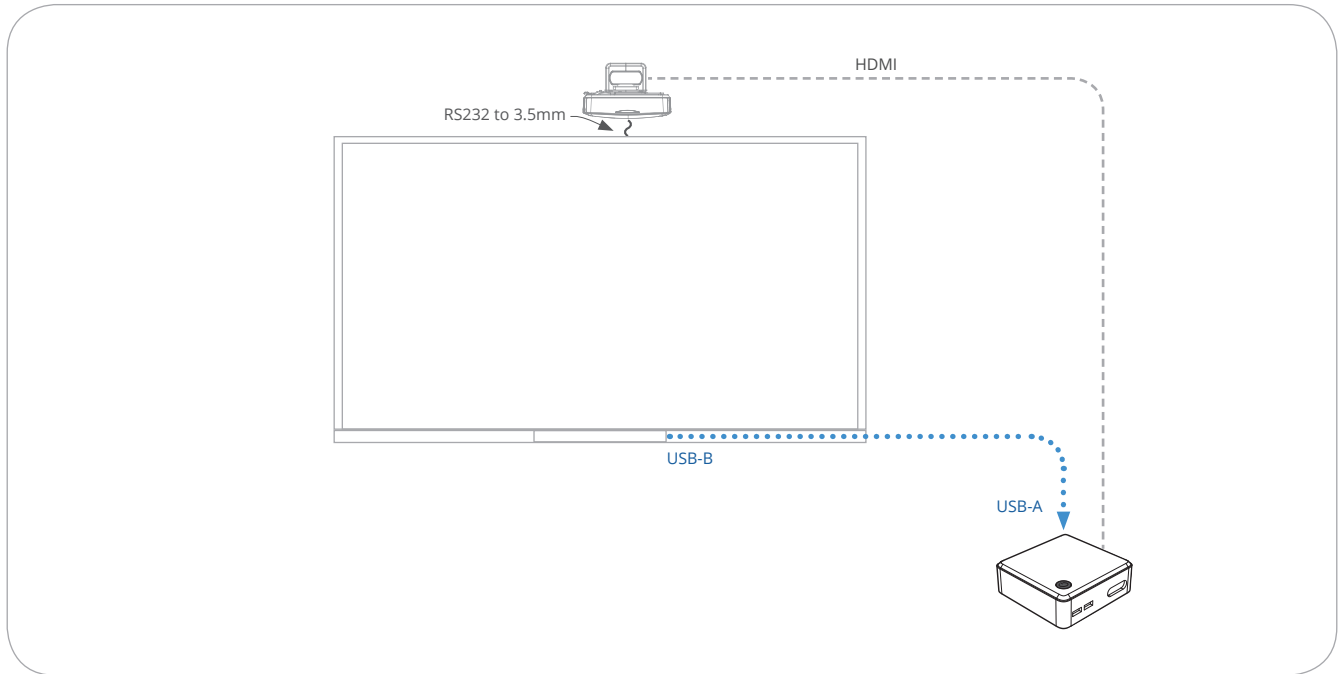
## 3.1.5



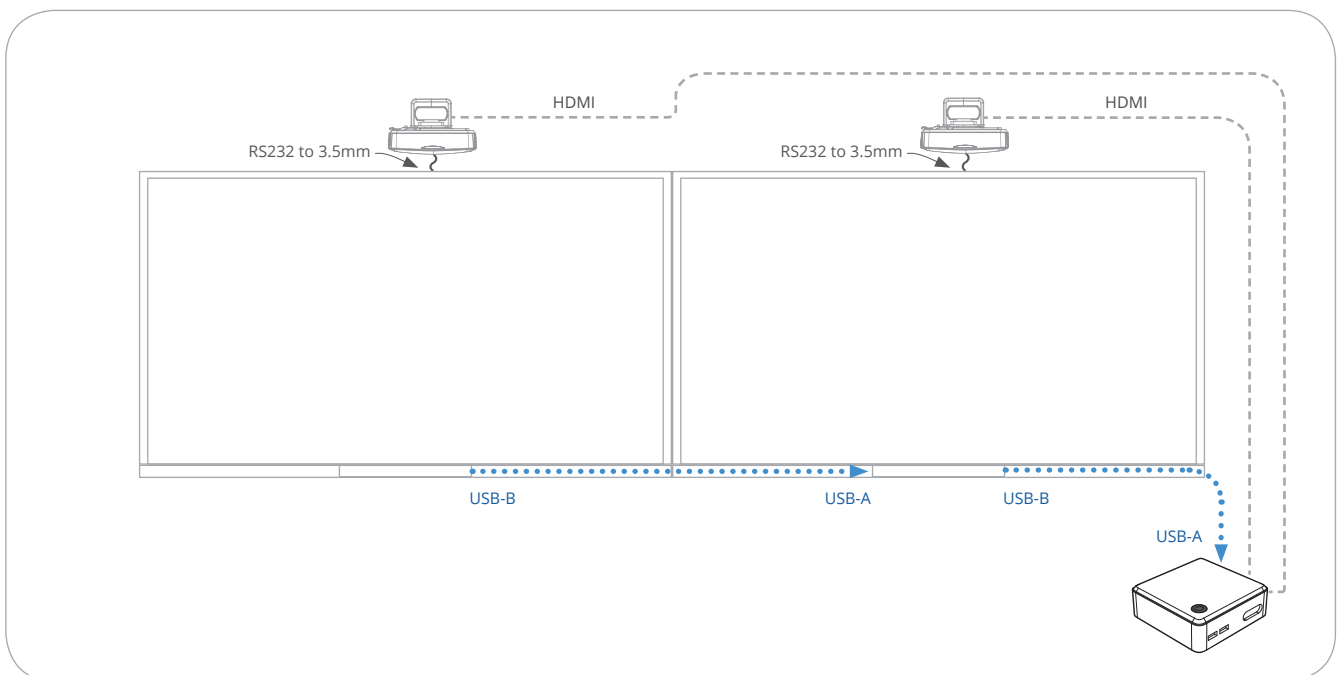
Tighten the bolts and screws on the mount(s) and projector(s) once you have completed adjusting the image(s).

## 4. Connect your system (connection diagrams)

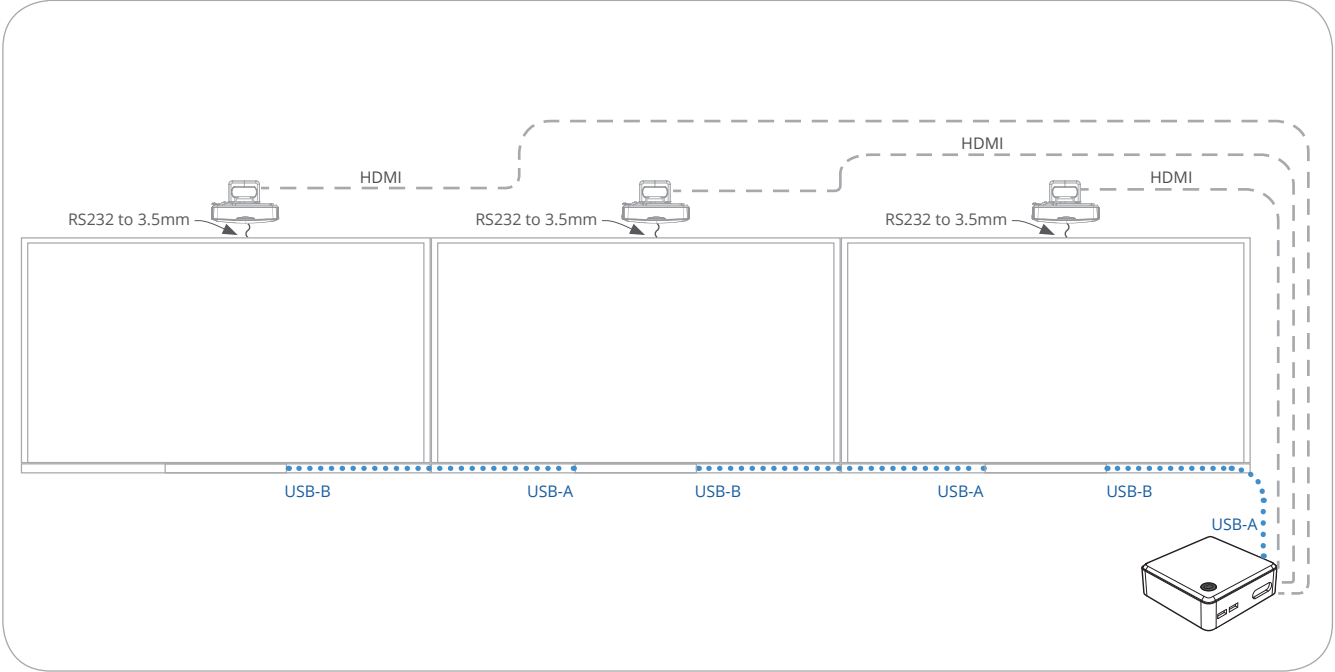
### 4.1 Single system



### 4.2 Double system



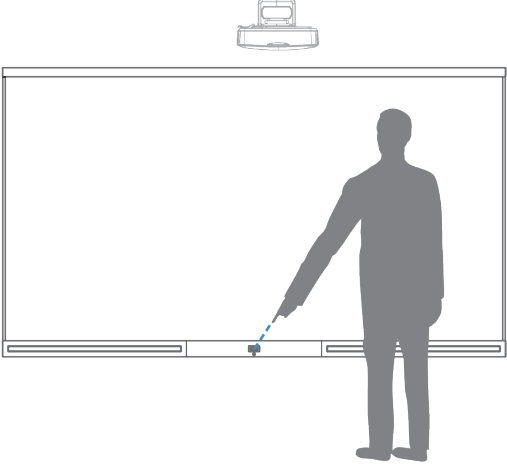
# 4.2 Triple system



# 5. Adjust the projected image and touch

## 5.1 Power on the system

**4.1.1**



Power on the touch panel and projector by pressing the power button on the control module. Power on your PC.

Double check that the resolution in the Windows display manager is set to 1920 x 1016.

## 5.2 Download software

**5.1.1**

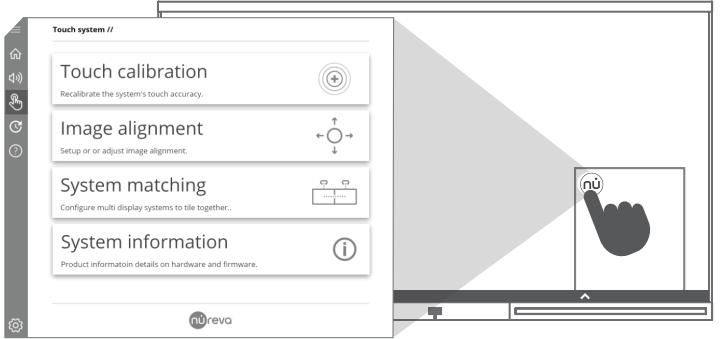


Navigate to the Internet. Download Nureva Room Manager and Nureva Wall Utility from the downloads page at

<https://support.nialli.com>

## 5.3 Nureva Room Manager

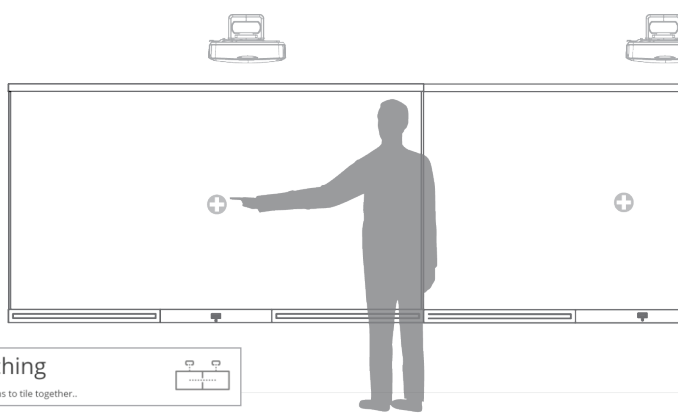
**5.3.1**



Open the Nureva Room Manager on the left board.

Open the touch calibration page.

### 5.3.2

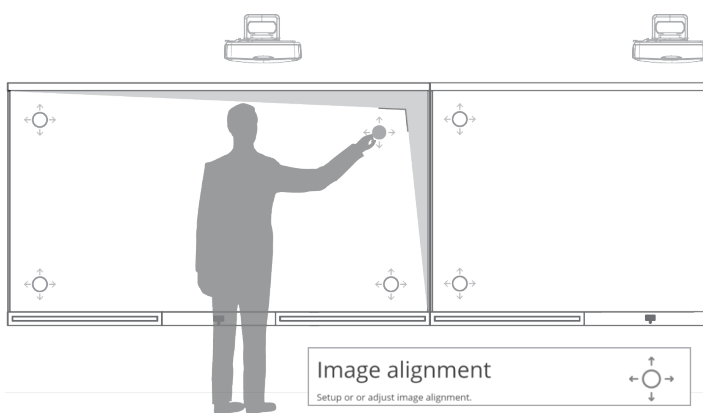


For dual or triple configurations, go to *System matching* in the Nureva Room Manager.

Follow the on-screen instructions to complete system matching.

For single systems, proceed to the next step.

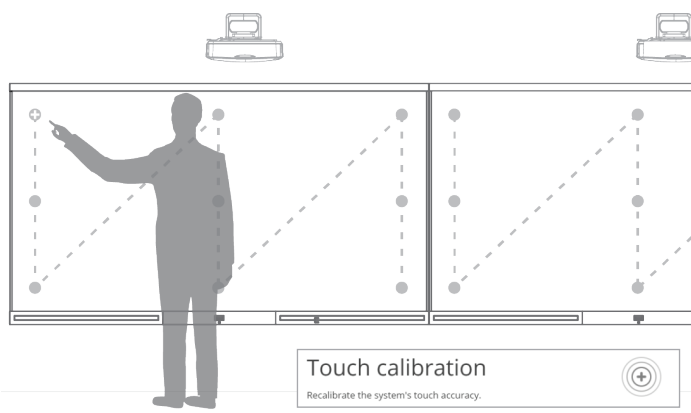
### 5.3.3



Go to *Image alignment* in the Nureva Room Manager.

Follow the on-screen instructions to complete image alignment.

### 5.3.4




Go to *Touch calibration* in the Nureva Room Manager.

Follow the on-screen instructions to complete touch calibration.

# 5.4 Launch Span Workspace

**5.4.1**



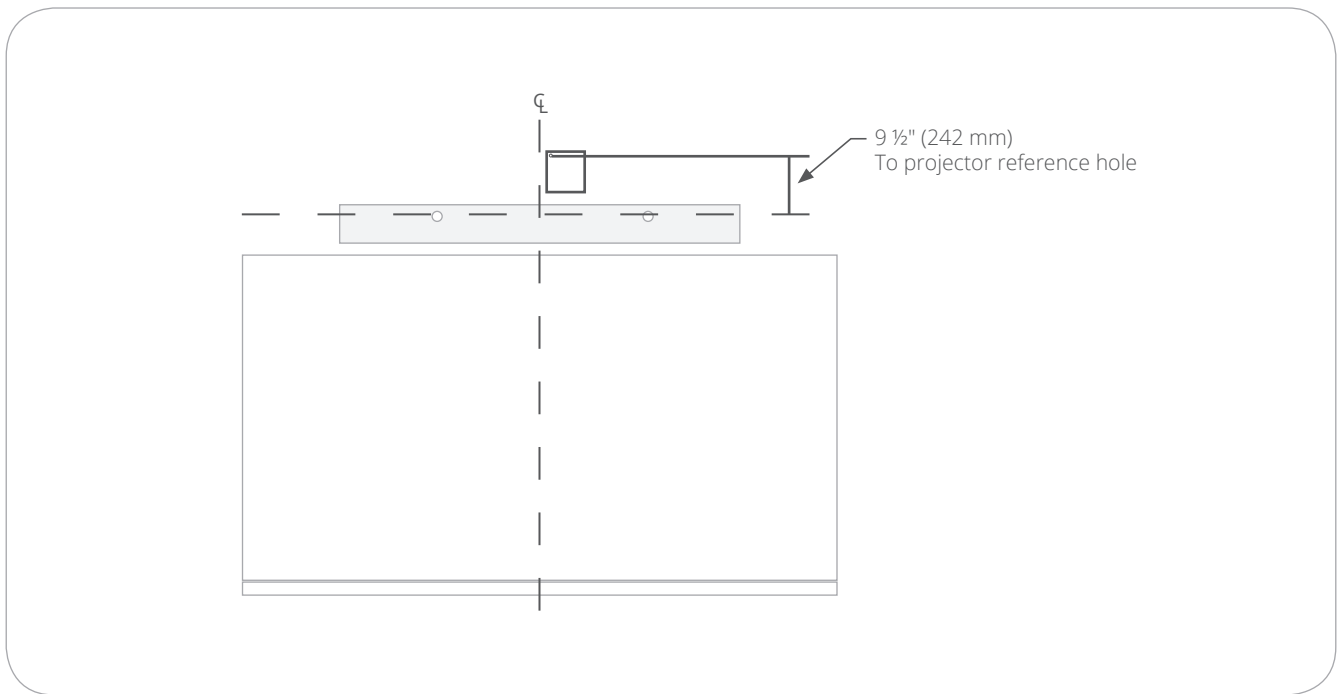
Launch Span Workspace.

The diagram shows a monitor with a workspace icon in the top-left corner, circled in blue. The icon is a square with a diagonal line and a small arrow. The monitor is mounted on a stand. The text 'Launch Span Workspace.' is positioned to the right of the monitor.

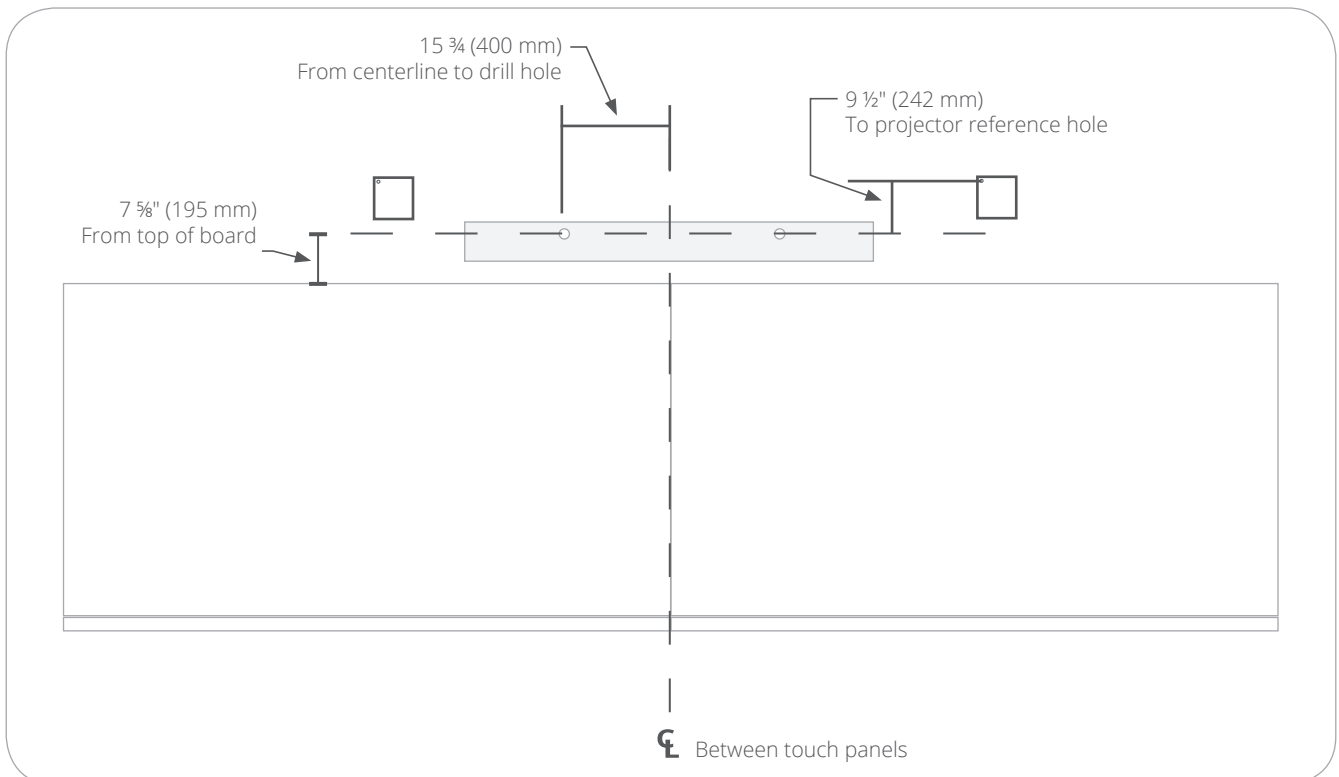


## 6. Install the HDL300 audio conferencing system

### 6.1 Single system



### 6.2 Double system



# Troubleshooting

For troubleshooting, please see our [Customer support portal](https://support.nialli.com).  
support.nialli.com