

# **FURUNO**

## **OPERATOR'S MANUAL**

### **取扱説明書**

*Marine Display*

### **15型カラーLCD表示器**

**Model** **MU-152HD**

---

- ・ 機器の修理・使用方法等に関するお問い合わせは、お買い上げの販売店・代理店、最寄りの当社支店・営業所あてへお願いします。

**FURUNO ELECTRIC CO., LTD.**  
**古野電気株式会社**

・ FURUNO Authorized Distributor/Dealer お問い合わせは

本書の無断複写複製(コピー)は特定の場合を除き、当社権利侵害になります。

A : JAN. 2023  
B : JUN. 10, 2024

Printed in Japan

Pub. No. OMC-45200-B

( REFU ) MU-152HD



00019975311

# IMPORTANT NOTICES

---

## General

- This manual has been authored with simplified grammar, to meet the needs of international users.
- The operator of this equipment must read and follow the instructions in this manual. Wrong operation or maintenance can void the warranty or cause injury.
- Do not copy any part of this manual without written permission from FURUNO.
- If this manual is lost or worn, contact your dealer about replacement.
- The contents of this manual and the equipment specifications can change without notice.
- The example screens (or illustrations) shown in this manual can be different from the screens you see on your display. The screens you see depend on your system configuration and equipment settings.
- Save this manual for future reference.
- Any modification of the equipment (including software) by persons not authorized by FURUNO will void the warranty.
- The following concern acts as our importer in Europe, as defined in DECISION No 768/2008/EC.
  - Name: FURUNO EUROPE B.V.
  - Address: Siriusstraat 86, 5015 BT, Tilburg, The Netherlands
- The following concern acts as our importer in UK, as defined in SI 2016/1025 as amended SI 2019/470.
  - Name: FURUNO (UK) LTD.
  - Address: West Building Penner Road Havant Hampshire PO9 1QY, U.K.
- All brand, product names, trademarks, registered trademarks, and service marks belong to their respective holders.

## How to discard this product

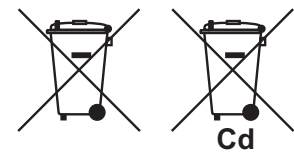
Discard this product according to local regulations for the disposal of industrial waste. For disposal in the USA, see the homepage of the Electronics Industries Alliance (<http://www.eiae.org/>) for the correct method of disposal.

## How to discard a used battery

Some FURUNO products have a battery(ies). To see if your product has a battery, see the chapter on Maintenance. If a battery is used, tape the + and - terminals of the battery before disposal to prevent fire, heat generation caused by short circuit.

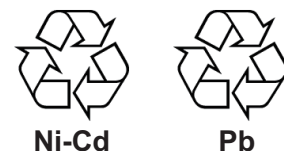
### In the European Union

The crossed-out trash can symbol indicates that all types of batteries must not be discarded in standard trash, or at a trash site. Take the used batteries to a battery collection site according to your national legislation and the Batteries Directive 2006/66/EU.



### In the USA

The Mobius loop symbol (three chasing arrows) indicates that Ni-Cd and lead-acid rechargeable batteries must be recycled. Take the used batteries to a battery collection site according to local laws.





### In the other countries

There are no international standards for the battery recycle symbol. The number of symbols can increase when the other countries make their own recycle symbols in the future.








# SAFETY INSTRUCTIONS




Read these safety instructions before you operate the equipment.




 <b>WARNING</b>	Indicates a condition that can cause death or serious injury if not avoided.
 <b>CAUTION</b>	Indicates a condition that can cause minor or moderate injury if not avoided.

 Warning, Caution	 Prohibitive Action	 Mandatory Action
--	--	---

## Safety Instructions for the Operator




 <b>WARNING</b>	
	<b>Immediately turn off the power at the switchboard if water leaks into the equipment or something is dropped into the equipment.</b>  Continued use of the equipment can cause fire or electrical shock. Contact a FURUNO agent for service.
	<b>Immediately turn off the power at the switchboard if the equipment is emitting smoke or fire.</b>  Continued use of the equipment can cause fire or electrical shock. Contact a FURUNO agent for service.
	<b>Do not disassemble or modify the equipment.</b>  Fire, electrical shock or serious injury can result.
	<b>Turn off the power immediately if you feel the equipment is behaving abnormally.</b>  Turn off the power at the switchboard if the equipment becomes abnormally warm or is emitting odd noises. Contact a FURUNO dealer or agent for advice.




 <b>WARNING</b>	
	<b>Use the proper fuse.</b>  Fuse rating is shown on the power cable. Use of a wrong fuse can result in damage to the equipment.
	<b>Do not place any object near the exhaust or intake vent.</b>  Fire may result.

 <b>CAUTION</b>	
	<b>Do not connect/disconnect the signal cable while turning the power on.</b>  The unit may be damaged.
	<b>Handle the LCD monitor with care.</b>  The face of the LCD monitor is made of glass. Injury may result if the glass breaks.



***Safety Instructions for the Installer***

 <b>WARNING</b>	
	<b>Turn off the power at the switchboard before beginning the installation.</b>  Fire or electrical shock can result if the power is left on.
	<b>Do not install the equipment where it may get wet from rain or water splash.</b>  Water in the equipment can result in fire, electrical shock or damage to the equipment.

 <b>CAUTION</b>		
 <b>Observe the following compass safe distances to prevent interference to a magnetic compass:</b>		
	Standard compass	Steering compass
MU-152HD	0.60 m	0.35 m
 <b>When lifting the display unit, hold it together with the hard cover.</b>  Grasping by the hard cover alone may allow the display unit to fall, resulting in possible bodily injury or damage to the equipment.		

**About the TFT LCD**

The TFT LCD is constructed using the latest LCD techniques, and displays 99.99% of its pixels. The remaining 0.01% of the pixels may drop out or blink, however this is not an indication of malfunction.

# TABLE OF CONTENTS

---

<b>FOREWORD</b> .....	<b>v</b>
<b>SYSTEM CONFIGURATION</b> .....	<b>vi</b>
<b>EQUIPMENT LISTS</b> .....	<b>vii</b>
<b>1. MOUNTING, WIRING</b> .....	<b>1</b>
1.1 Preparation .....	1
1.2 Flush Mounting, Fixed at Rear .....	3
1.3 Flush Mounting, Fixed at Front .....	7
1.4 Flush Mounting, Fixed at Rear, with Hood .....	10
1.5 Desktop Mounting .....	13
1.6 Flush Mounting a Series Side by Side .....	15
1.7 Wiring .....	16
<b>2. ADJUSTMENTS</b> .....	<b>18</b>
2.1 RGB/DVI/HDMI Setting .....	18
2.2 Video Composite Signal Setting .....	20
2.3 The Menu Window Setting .....	21
2.3.1 How to adjust the menu window .....	21
2.3.2 How to change the signal name .....	22
<b>3. OPERATION</b> .....	<b>23</b>
3.1 Controls .....	23
3.2 How to Turn the Power On/Off .....	24
3.2.1 Turn on/off the power .....	24
3.2.2 Lock the operation .....	24
3.3 How to Adjust the Display Brilliance .....	24
3.4 How to Select the Source for Main Picture .....	25
3.5 How to Select the Source for the PIP Window .....	25
3.6 SYSTEM Menu .....	26
3.6.1 How to adjust the brilliance from the external equipment .....	26
3.6.2 FISH FINDER Mode .....	26
3.6.3 How to clear the memory .....	27
<b>4. MAINTENANCE, TROUBLESHOOTING</b> .....	<b>28</b>
4.1 Maintenance .....	28
4.2 Troubleshooting .....	29
<b>APPX. 1 ABBREVIATIONS</b> .....	<b>AP-1</b>
<b>SPECIFICATIONS</b> .....	<b>SP-1</b>
<b>PACKING LISTS</b> .....	<b>A-1</b>
<b>OUTLINE DRAWINGS</b> .....	<b>D-1</b>
<b>INTERCONNECTION DIAGRAMS</b> .....	<b>S-1</b>

# FOREWORD

---

## A Word to the Owner of the MU-152HD

FURUNO Electric Company thanks you for purchasing the MU-152HD 15" Marine Display. We are confident you will discover why the FURUNO name has become synonymous with quality and reliability.

Since 1948, FURUNO Electric Company has enjoyed an enviable reputation for quality and reliability throughout the world. This dedication to excellence is furthered by our extensive global network of agents and dealers.

Your equipment is designed and constructed to meet the rigorous demands of the marine environment. However, no machine can perform its intended function unless properly installed and maintained. Please carefully read and follow the operation, installation and maintenance procedures set forth in this manual.

We would appreciate feedback from you, the end-user, about whether we are achieving our purposes.

Thank you for considering and purchasing FURUNO.

## Features

The main features of the MU-152HD are as shown below.

- Selectable screen from RGB (1 line), DVI-D (1 line), HDMI (1 line) or Composite (1 line).
- Main or remote display for radars, video sounders, sonars, plotter. For the connectable equipments, see "Connectable equipment" on page vi.
- High resolution display of 1024 x 768 (XGA)
- Brightness of 1000 cd/m<sup>2</sup> (maximum) and 0.3 cd/m<sup>2</sup> or less (minimum) for comfortable viewing day and night.
- Picture-in-picture function
- Power on/off automatically through the DVI/HDMI signal.

## Program Number

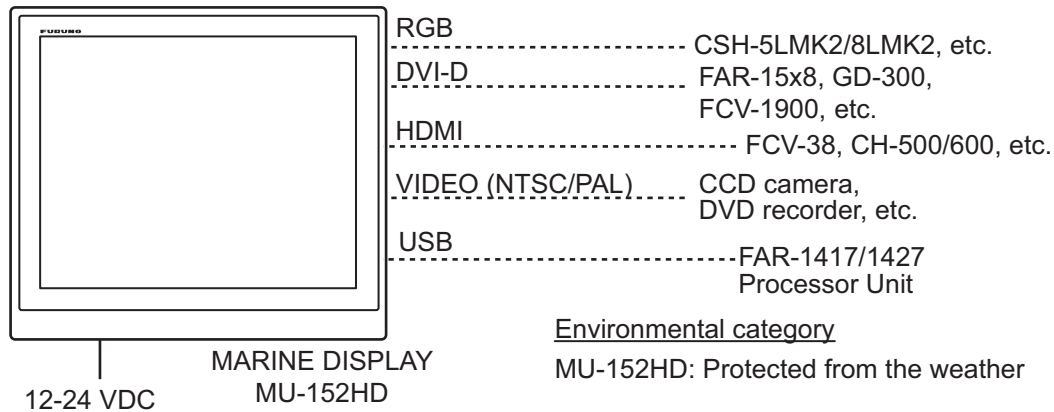
Program Name	Version	Date of Modification
Main	1.xx	Jan. 2023

xx: minor change

## CE/UKCA declaration

With regards to CE/UKCA declarations, please refer to our website ([www.furuno.com](http://www.furuno.com)), for further information on RoHS conformity declarations.

# SYSTEM CONFIGURATION



## Connectable equipment

Equipment	Resolution	Signal
CSH-5L/8LMK2	XGA	RGB
CH-500/600	XGA	HDMI
FCV-38	XGA/SXGA	HDMI
FCV-2100	XGA/SXGA	DVI
FCV-1900	XGA/SXGA	DVI
CI-38/68/88 BB	VGA	RGB
GD-300	XGA	DVI
GD-700	XGA/SXGA	DVI
FAR-14x7	XGA/SXGA	DVI
FAR-15X3/15X8	XGA	DVI
FAR-2xx8	SXGA	DVI
FSV-25/25S MARK-2	SXGA	DVI
FSV-75	SXGA	HDMI

**Note 1:** This equipment is used as a display for a Non-SOLAS radar or ECDIS.

**Note 2:** Landscape orientation only.

**Note 3:** When inputting SXGA, a circle may be displayed as an ellipse because the aspect ratio differs. See "DISP MODE\*" on page 19. Also, it may be difficult to read small characters.

# EQUIPMENT LISTS

## Standard supply

Name	Type	Code No.	Qty	Remarks
Marine Display	MU-152HD-A	–	1	w/ Hard cover
Spare Parts	SP26-01001	001-621-760	1 set	
Cable Assy.	MJ-A3SPF0017A-050ZC	000-175-421-10	1	
Flush Mount Fixture 15	CP26-02601	001-621-770	1 set	
Installation Materials	CP26-02602	001-621-780	1 set	

## Optional supply

Name	Type	Code No.	Qty	Remarks
Cable Assembly	3COX-2P-6C 5M	001-077-230-10	1	Cable length: 5 m (15 pin D-sub connector at both ends)
	3COX-2P-6C 10M	001-077-220-10	1	Cable length: 10 m (15 pin D-sub connector at both ends)
	DVI-D/D S-LINK 5M	001-132-960-10	1	Cable length: 5 m (with DVI-D connector at both ends)
	DVI-D/D S-LINK 10M	001-133-980-10	1	Cable length: 10 m (with DVI-D connector at both ends)
Bracket Assembly	JE07002-B003	001-634-610	1 set	
Hood Assembly	JE07002-B005	001-634-630	1 set	
Front Fixed Flush Mount Kit	JE07002-B022	001-634-650	1 set	
LCD Retrofit Kit	JE07002-B020	001-634-670	1 set	
Rear Fixed Flush Mount Kit	JE07002-B024	001-641-210	1 set	

# 1. MOUNTING, WIRING

---

## 1.1 Preparation

### Mounting type

The display unit can be installed in the following methods. See the outline drawing at the back of this manual for mounting dimensions.

- Flush mounting, fixed at rear (standard)
- Flush mounting, fixed at front (option)
- Flush mounting, fixed at rear, with hood (option)
- Desktop mounting (option)
- Flush mounting a series side by side, fixed at rear

**Note:** The face of the LCD monitor is made of glass. Handle it with care.



### Mounting location

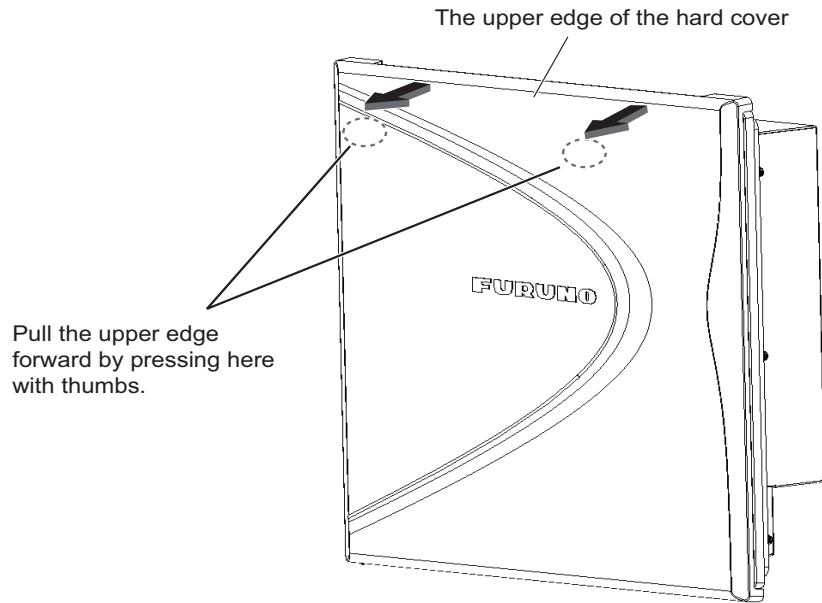
When selecting a mounting location, remember the following points:

- Make sure the mounting location is strong enough to support the weight of the unit.
- Locate the unit away from direct sunlight. An LCD may black out if it is exposed to direct sunlight for a long time.
- Select a location where the display can be easily viewed and the controls can be easily operated.
- Leave enough space around the unit for service and maintenance. See the outline drawing at the back of this manual for minimum service clearance.
- Locate the unit away from areas subject to water splash and rain.
- Observe the compass safe distances (see page iii) to prevent interference to a magnetic compass.

### How to remove/attach the hard cover

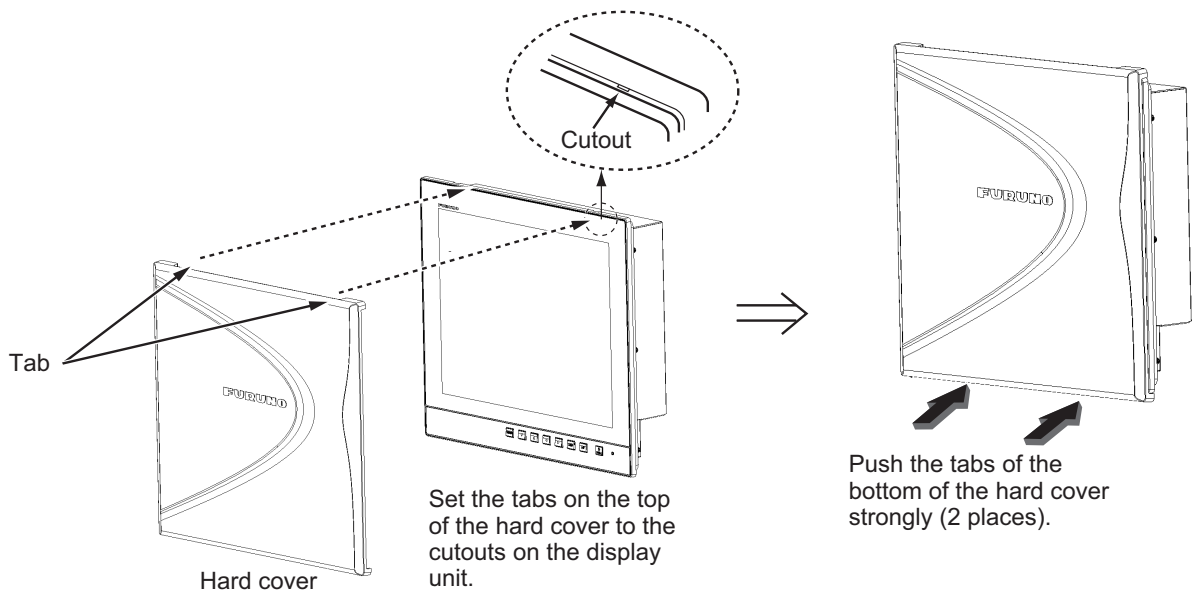
Before you install this display unit, remove the hard cover as follows.

 <b>CAUTION</b>	
	<b>When lifting the display unit, hold it together with the hard cover.</b>
Grasping by the hard cover alone may allow the display unit to fall, resulting in possible bodily injury or damage to the equipment.	



*How to remove the hard cover*

To attach the hard cover, follow the illustration in the figure below.



*How to attach the hard cover*

**Cable connecting**

Before you install the display unit, connect all the cables. See the interconnection diagram at the back of this manual.

1. MOUNTING, WIRING

## 1.2 Flush Mounting, Fixed at Rear

This is the standard installation method.

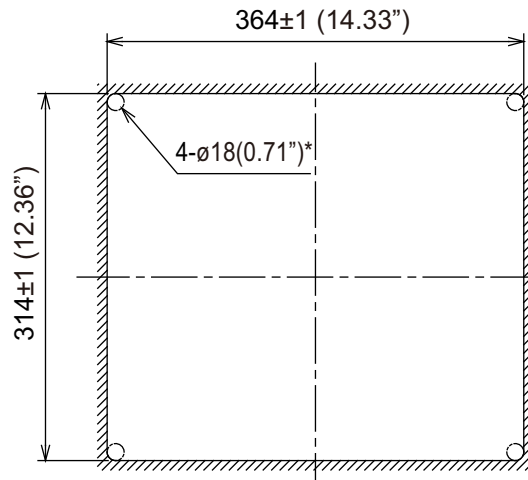
Flush Mount Fixture 15 CP26-02601 (code no. 001-621-770)

Name	Type	Code No.	Qty	Remarks
IM List	JE07002-Y533	000-199-746-10	1	
Mount metal 15	JE07002-Y528	000-199-988-10	2	
Butterfly bolt	JE82001-0013	000-199-986-10	6	
Butterfly nut	JE82001-0014	000-199-987-10	6	
Protector for screw	26-005-2125-0	100-354-800-10	6	
Washer head screw	J6-SW3N4-10200	000-199-677-10	12	
Attachment 15	JE07002-Y527	000-199-683-10	2	

Installation Materials CP26-02602 (code no. 001-621-780)

Name	Type	Code No.	Qty	Remarks
IM List	JE07002-Y946	000-199-747-10	1	
Fmount sponge H15	JE07002-Y543	000-199-684-10	2	
Fmount sponge V15	JE07002-Y544	2		

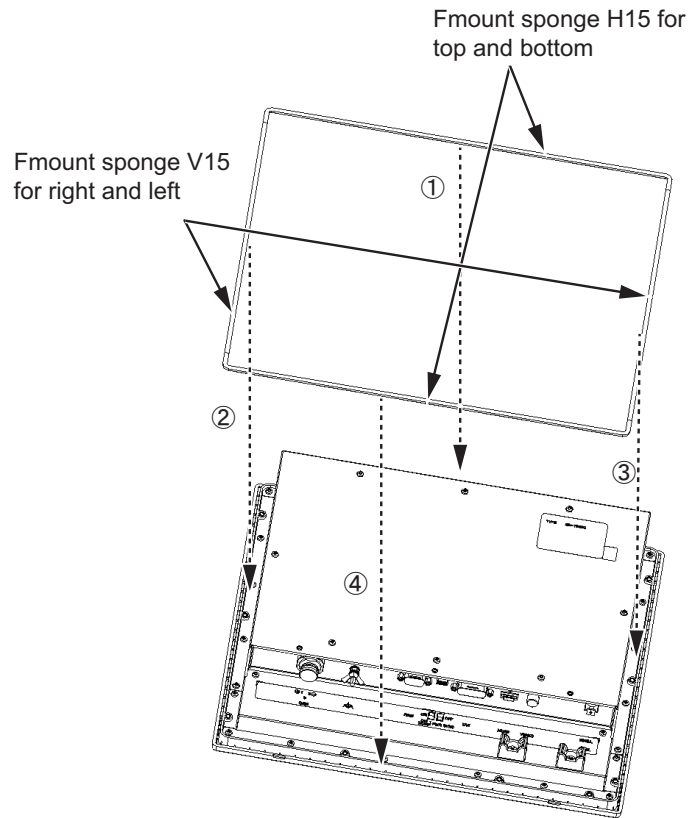
1. Make a cutout in the mounting location with the "Flush mounting template" (included).



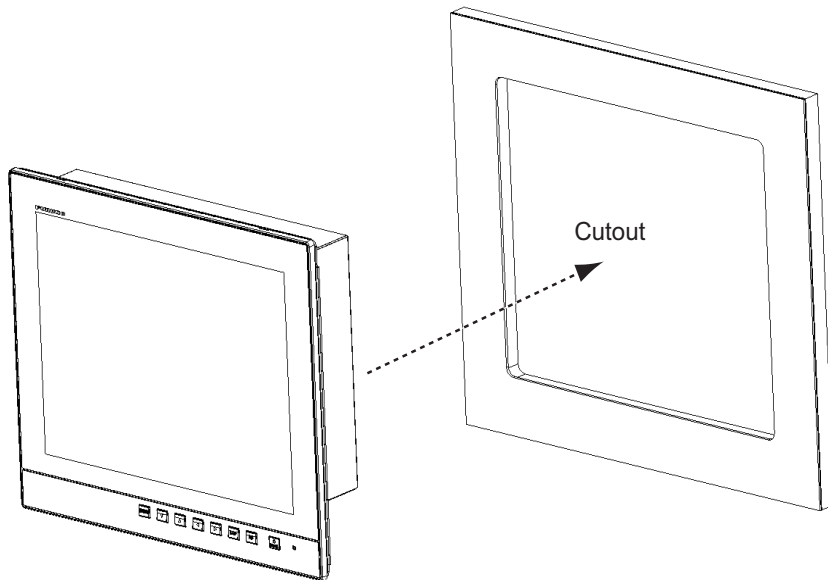
\*: The drill bit with a diameter of 18 mm or less can also be used.



2. Attach the flush mounting sponges H15 and V15 in the order shown in the figure below.

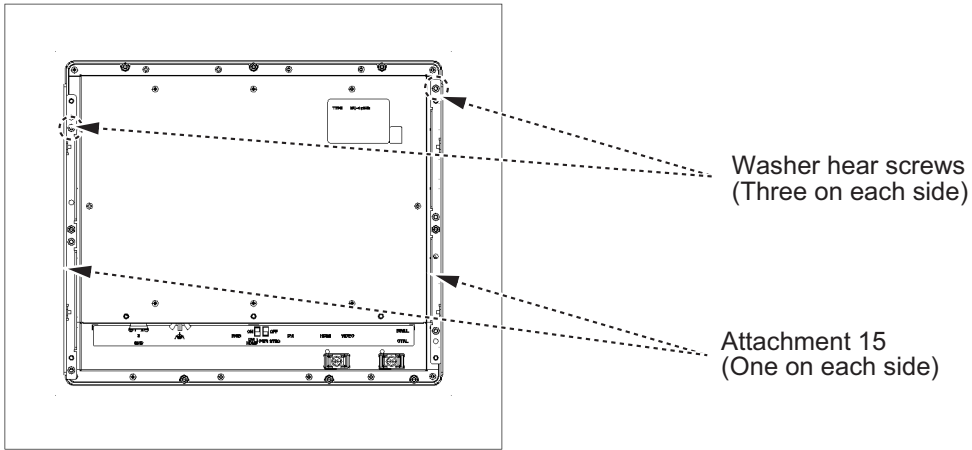


3. Connect all cables at the back of the display unit. See section 1.7.
4. Set the display unit to the cutout.

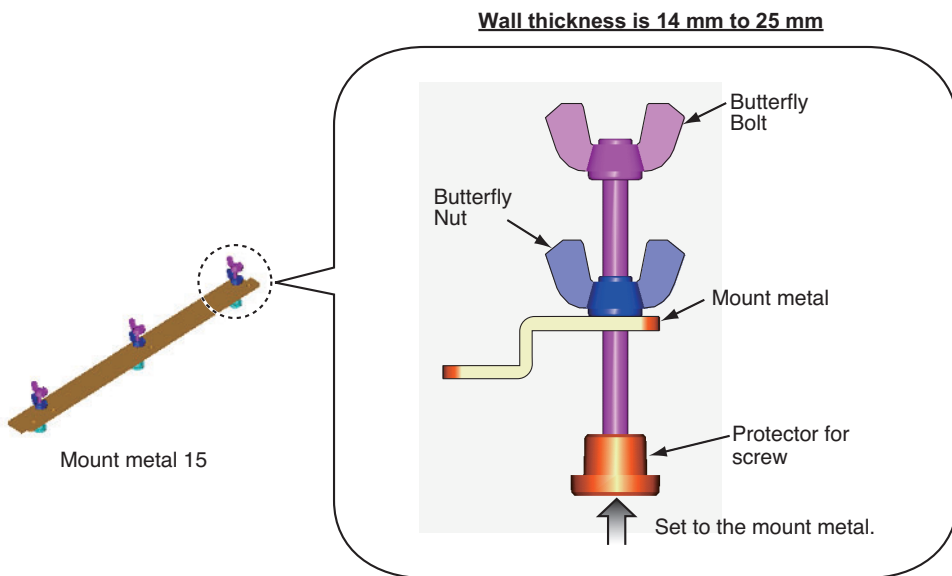
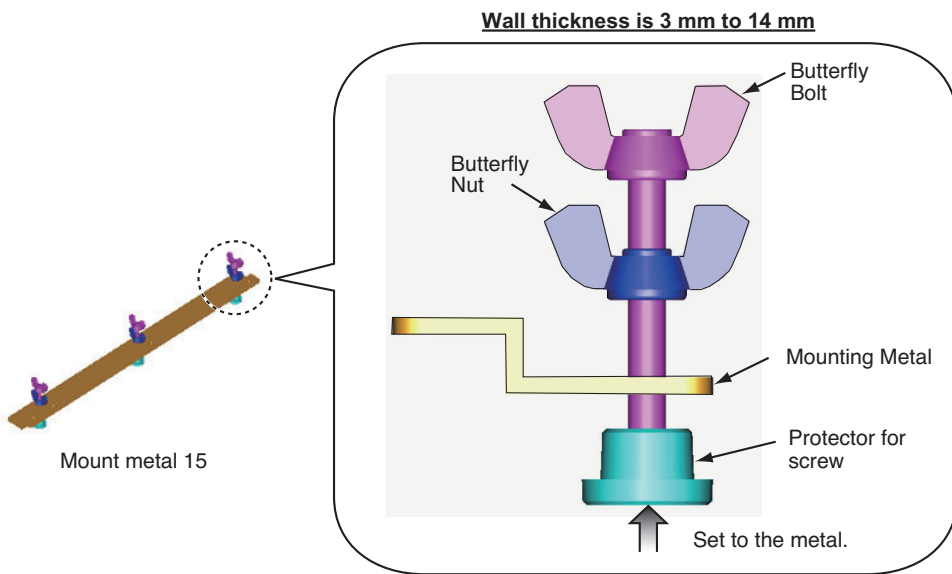


1. MOUNTING, WIRING

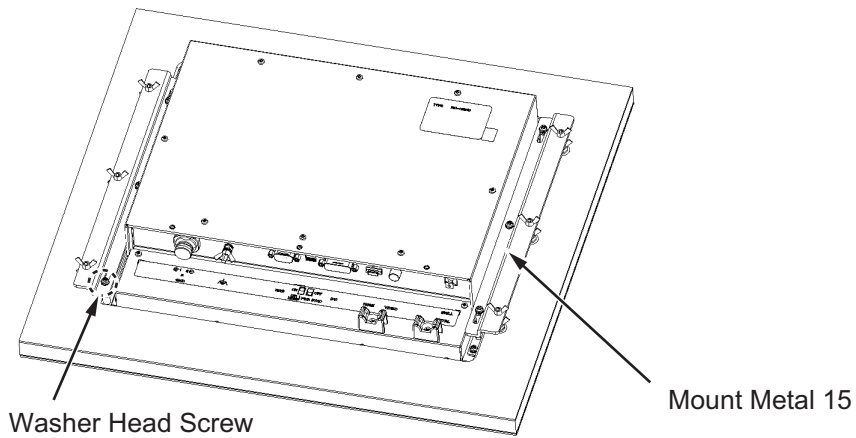
5. Attach the attachment 15 to the left and right sides of the back of the display unit with the supplied washer head screws.



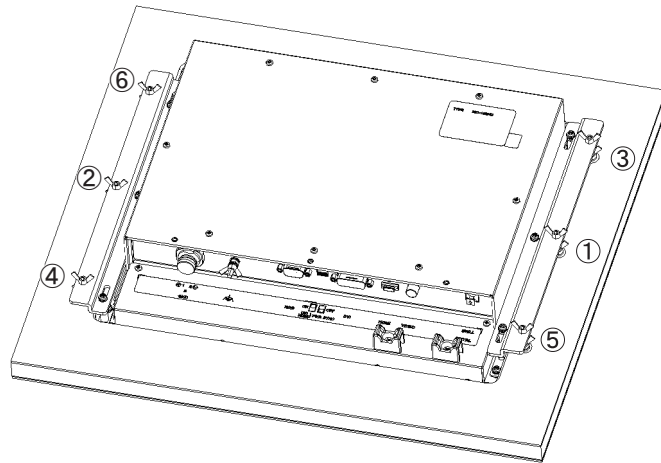
6. Screw the butterfly bolts and the butterfly nuts of the mount metal 15 so that the protector moves to the mount metal.



7. Fasten the mount metal 15 to the right and left sides of the rear of the display unit with the washer head screws (6 places).

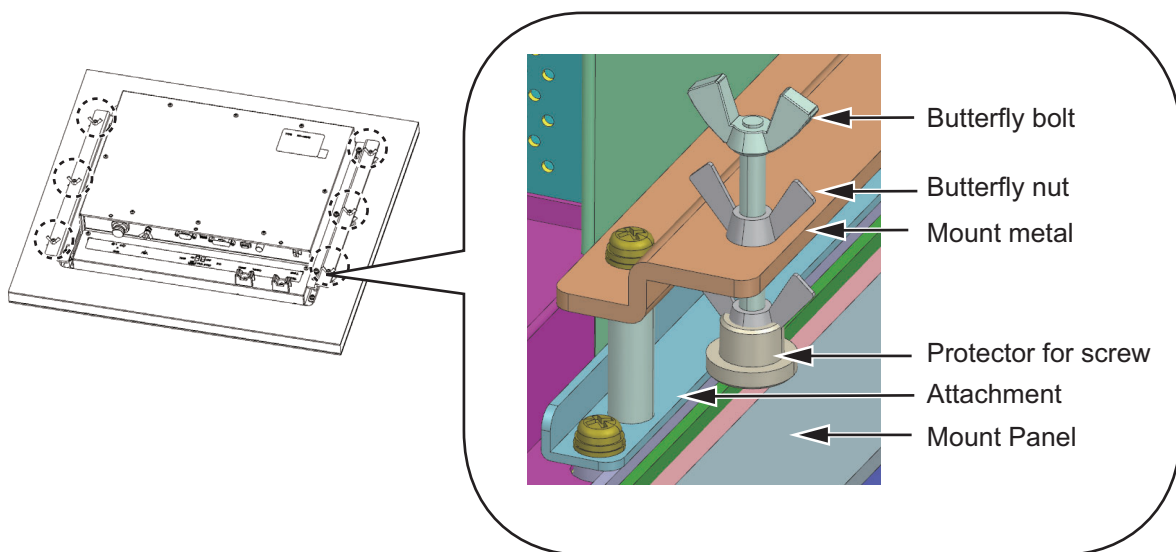


8. Loosely fasten the butterfly bolts, in the order of the number shown in the figure below so that the protectors touch the mounting panel.



9. Fasten the butterfly bolts tightly, in the order shown in step 7.

10. Fasten the butterfly nuts tightly.



1. MOUNTING, WIRING

### 1.3 Flush Mounting, Fixed at Front

If there is not enough space to fix the display unit from the rear, you can fix it from the front with the optional Front Fixed Flush Mount Kit JE07002-B022 (code no. 001-634-650). The LCD Retrofit Kit JE07002-B020 (code no. 001-634-670) can also be used.

Front Fixed Flush Mount Kit JE07002-B022 (code no. 001-634-650)

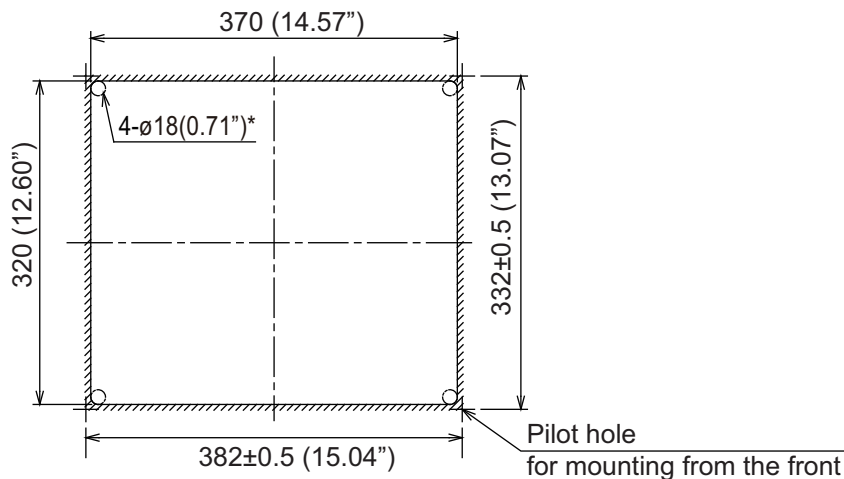
Name	Type	Code No.	Qty	Remarks
Fmount panel 15 assembly	JE07002-Y533	000-199-706-10	1	
Self tapping screw	JE82001-0015	000-199-688-10	4	
Washer head screw	J6-SW3N4-10200	000-199-677-10	8	
Fmount sponge H15	JE07002-Y543	000-199-684-10	2	
Fmount sponge V15	JE07002-Y544	000-199-685-10	2	
Flush Mounting Template	C42-00909-x	000-172-636-1x	1	x denotes minor modifications.

LCD Retrofit Kit JE07002-B020 (code no. 001-634-670)

Name	Type	Code No.	Qty	Remarks
Spacer	JE07002-Y580	000-199-707-10	8	
Self tapping screw	JE82001-0015	000-199-688-10	4	
Washer head screw	J6-SW3N4-10200	000-199-677-10	8	
Fmount sponge H15	JE07002-Y543	000-199-684-10	2	
Fmount sponge V15	JE07002-Y544	000-199-685-10	2	
Flush Mounting Template	C42-00909-x	000-172-636-1x	1	x denotes minor modifications.

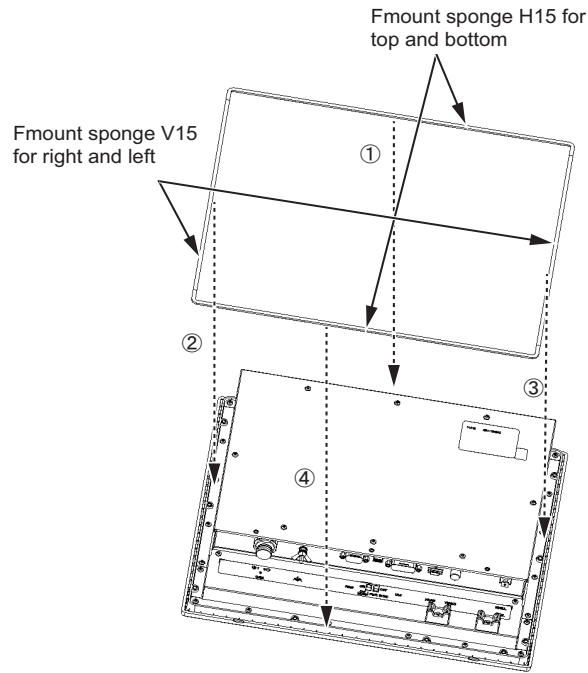
**Fixing with Front Fixed Flush Mount Kit JE07002-B022**

1. Make a cutout in the mounting location with the flush mounting template (included).

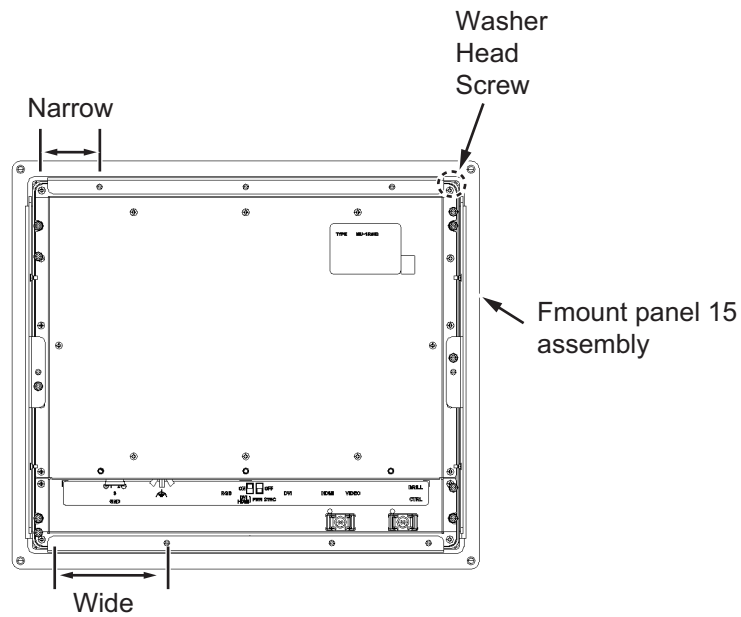


\*: The drill bit with a diameter of 18 mm or less can also be used.

2. Attach the flush mounting sponges H15 and V15 in the order shown in the figure below.



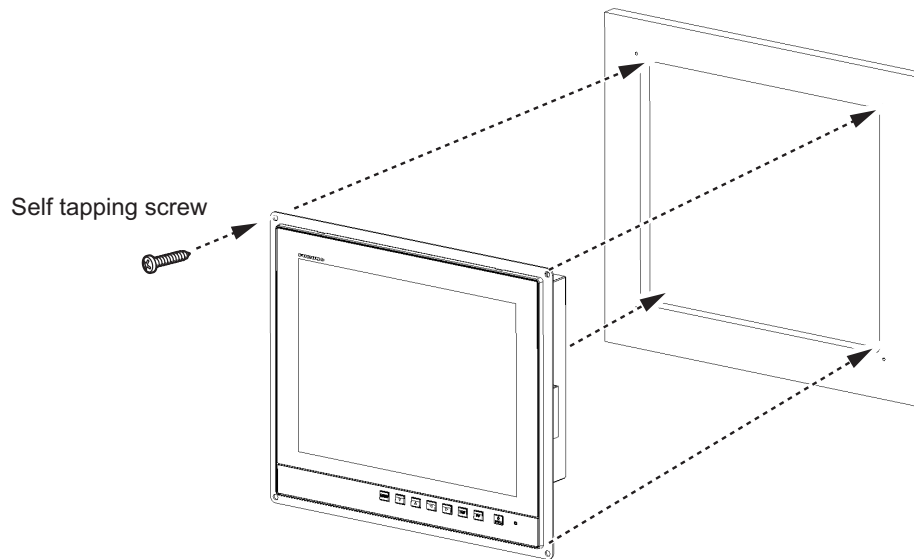
3. Attach the flush mounting panel (15) to the display unit from the rear with the washer head screws (M4×10, 8 places, torque: 1.2 N•m). Do not confuse the top and bottom of the panel and check that screw holes on the panel and unit match.



4. Connect all cables at the back of the display unit. See section 1.7.
5. Set the display unit assembly prepared at the section 3 to the cutout for the mounting location.

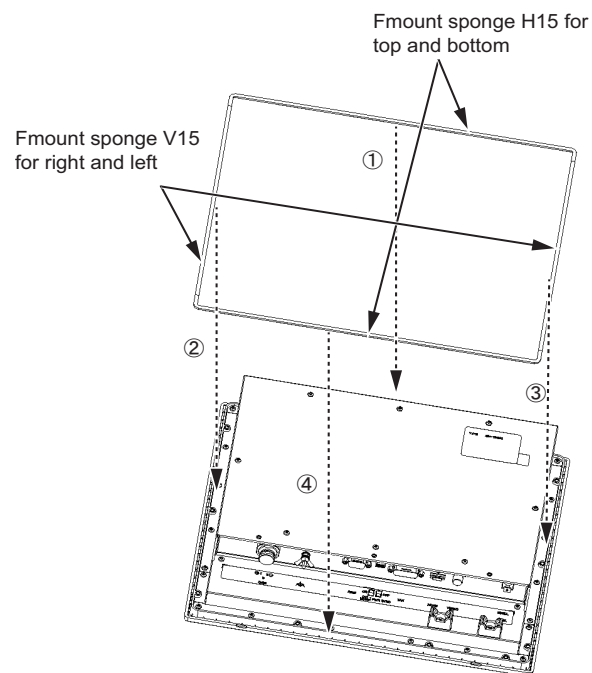
1. MOUNTING, WIRING

6. Fix the display unit to the cutout with the self tapping screws (4 places).

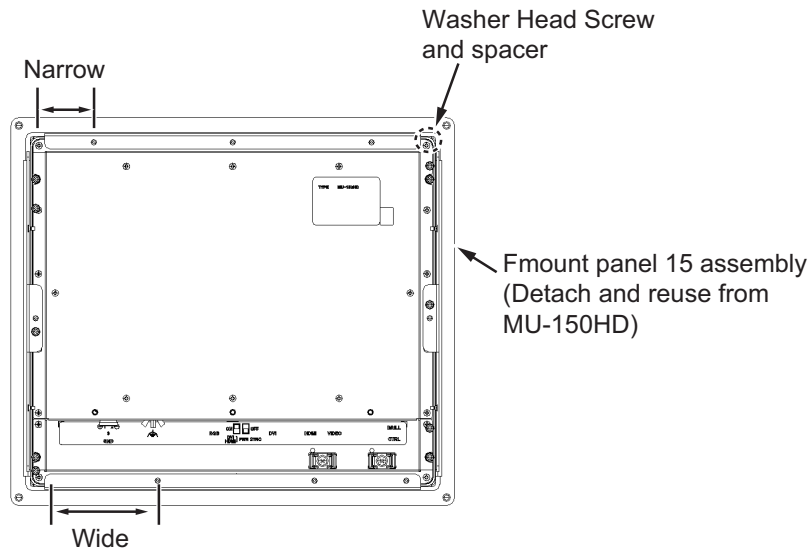


**Fixing with LCD Retrofit Kit JE07002-B020**

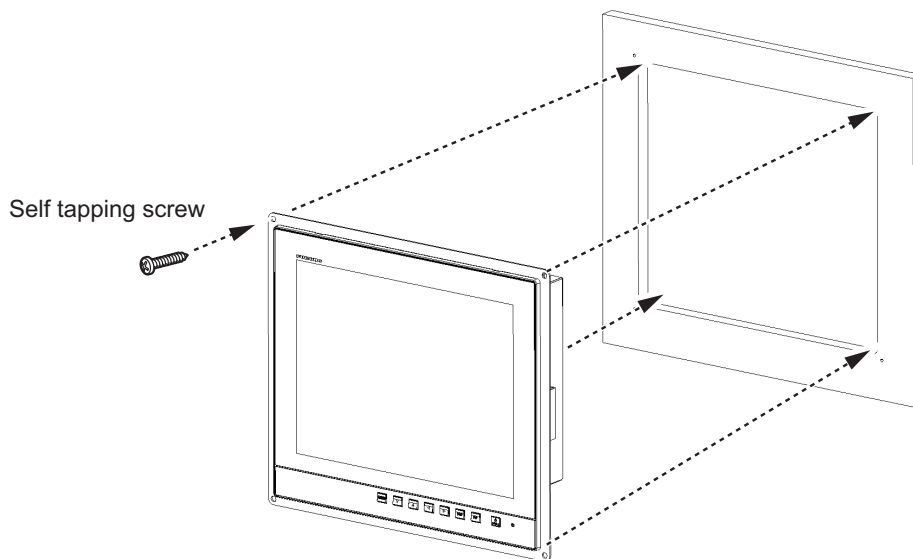
1. Attach the flush mounting sponges H15 and V15 in the order shown in the figure below.



- Attach the flush mounting panel (15) to the display unit from the rear with the spacers and washer head screws (M4×10, 8 places, torque: 1.2 N•m). Do not confuse the top and bottom of the panel and check that screw holes on the panel and unit match.



- Connect all cables at the back of the display unit. See section 1.7.
- Set the display unit assembly prepared at the step 3 to the cutout for the mounting location.
- Fix the display unit to the cutout with the self tapping screws (4 places).



## 1.4 Flush Mounting, Fixed at Rear, with Hood

You can attach a hood when flush mounting the unit from the rear, using the hood assembly JE07002-B005 (option).

**Note:** When the hood is installed, the hard cover cannot be used.

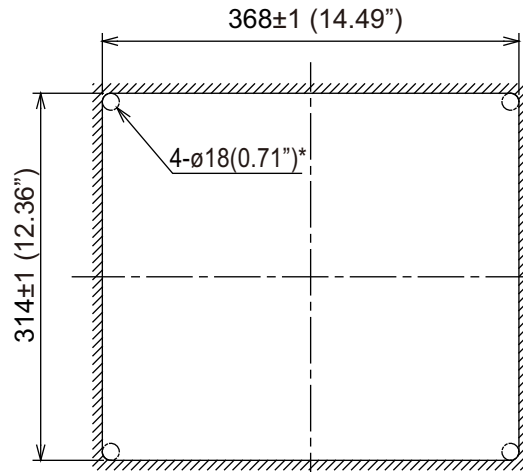
*Hood Assembly JE07002-B005 (Code: 001-634-630)*

Name	Type	Code No.	Qty
Hood (15) Assembly	JE07002-B006	001-080-950-00	1
F-Mount Hood Gasket 15	JE07002-Y563	000-199-701-10	1
Hood Gasket Bottom 15	JE07002-Y570	000-199-702-10	1

1. MOUNTING, WIRING

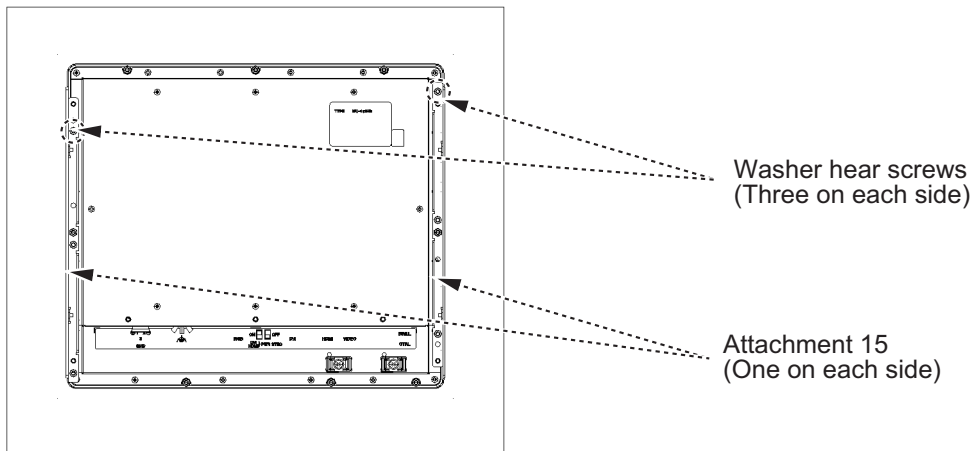
Name	Type	Code No.	Qty
F-Mount Hood Gasket Side 15	JE07002-Y571	000-199-703-10	2
Hood Fixing Plate 15	JE07002-Y572	000-199-704-10	2
Knob M4	JE07002-Y562	000-199-692-10	4
Flat Head Screw	J6-SSA3-06200	000-199-693-10	6
Flush Mounting Template	C42-00908	000-172-635-10	1

1. Make a cutout in the mounting location with the flush mounting template (included).



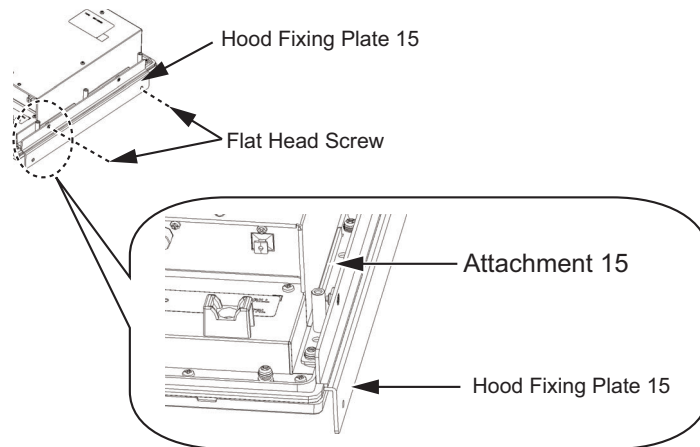
\*: The drill bit with a diameter of 18 mm or less can also be used.

2. Attach the attachment 15 to the left and right sides of the back of the display unit with the supplied washer head screws.

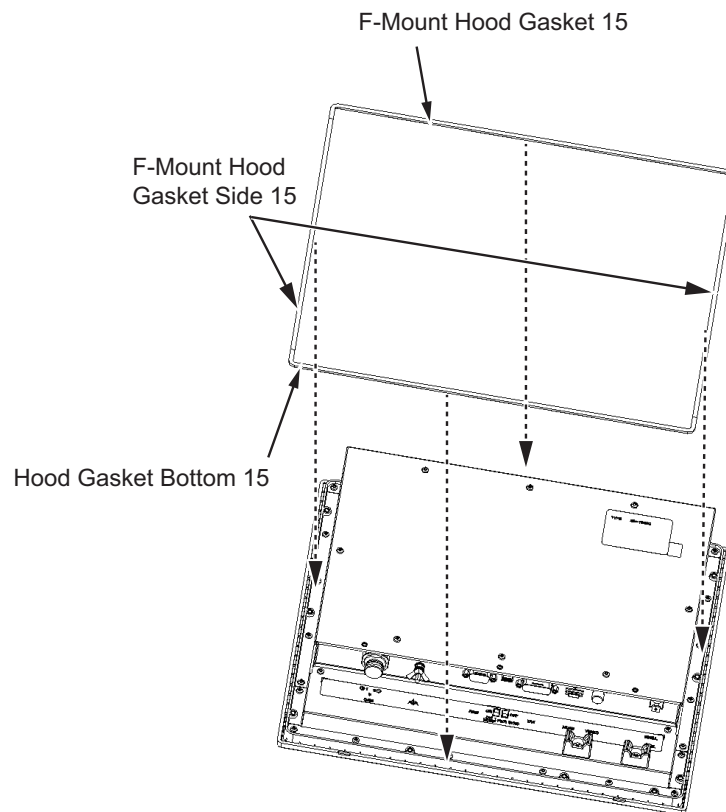




3. Fix the hood fixing plates to the right and left of the display unit with the flat head screws (M3×8, 6 places, torque: 0.6 N•m).



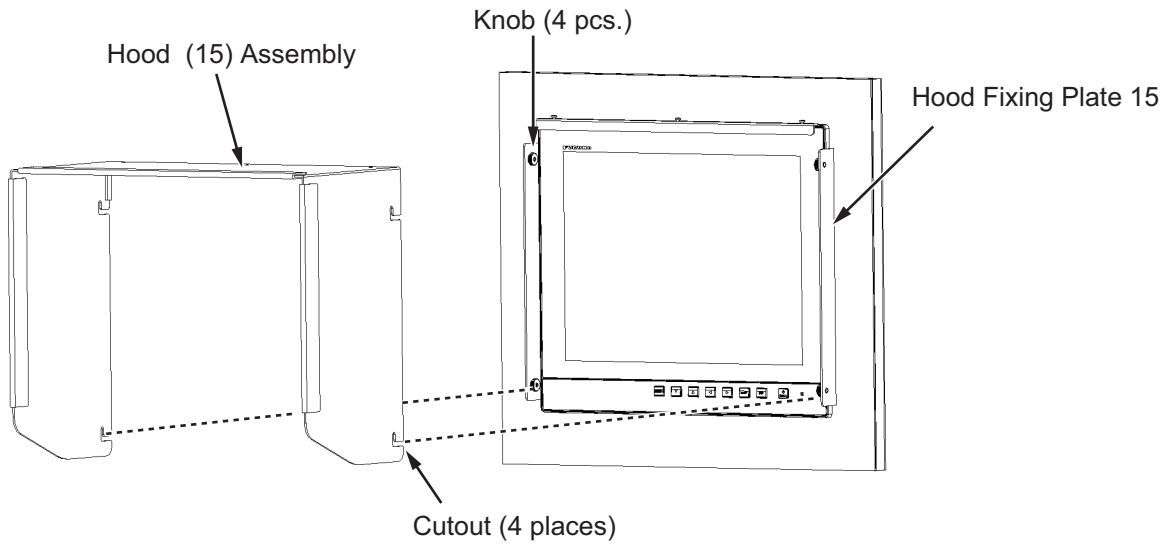
4. Attach the “F-Mount Hood Gasket 15” to the top brim, the “Hood Gasket Bottom 15” to the bottom brim, and then attach the “F-Mount Hood Gasket Side 15” to the right and left sides of the display unit from the rear side as shown the figure below.



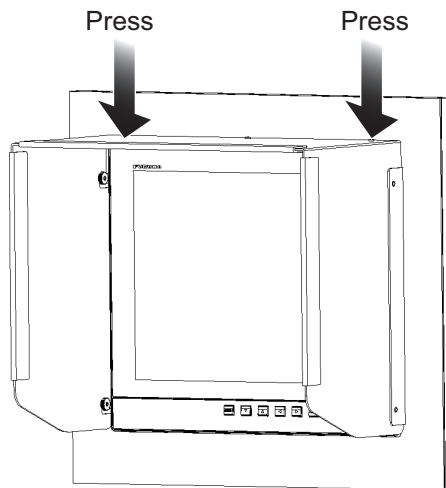
5. Follow step 3 to step 10 in section 1.2 to fix the display unit to the mounting location.
6. Loosely fix the knobs (4 pcs.) to the hood fixing plate.

1. MOUNTING, WIRING

7. Slide the cutouts of the hood assembly to the knobs.



8. Press the top of the hood to fit the knobs in the cutouts.



9. Fix the hood assembly with the knobs tightly (4 places).

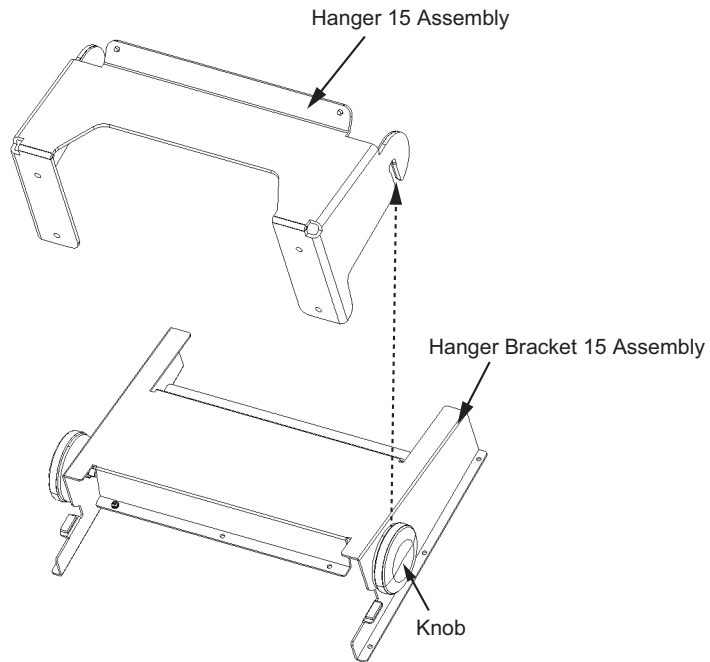
## 1.5 Desktop Mounting

You can fix the display unit to a desktop, using the optional bracket assembly JE07002-B003.

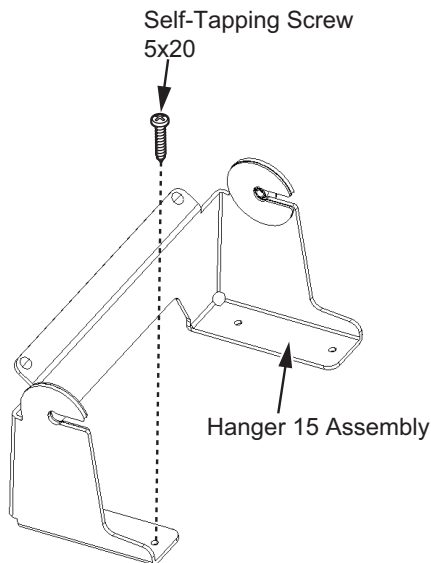
Bracket Assembly JE07002-B003 (Code: 001-634-610)

Name	Type	Code No.	Qty
Hanger Bracket 15 Assembly	JE07002-C510	000-199-700-10	1
Hanger 15 Assembly	JE07002-C511	000-199-699-10	1
Self-Tapping Screw	JE82001-0015	000-199-688-10	4
Washer Head Screw	J6-SW3N4-10200	000-199-677-10	9

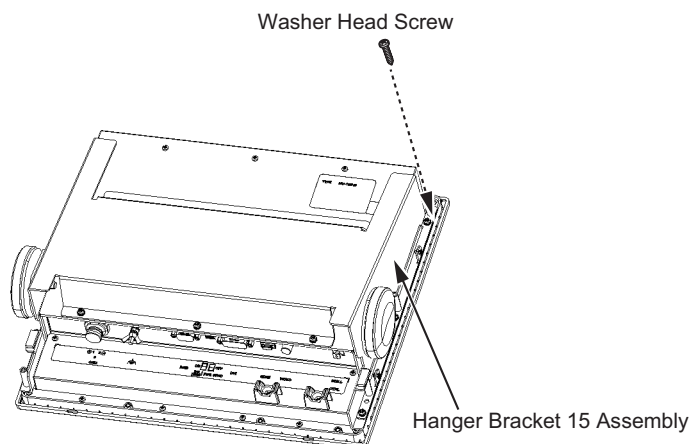
1. Loosen the knobs of the hanger 15 assembly to separate the hanger bracket 15 assembly from the hanger.



2. Set the hanger 15 assembly to the mounting location with four self tapping screws.

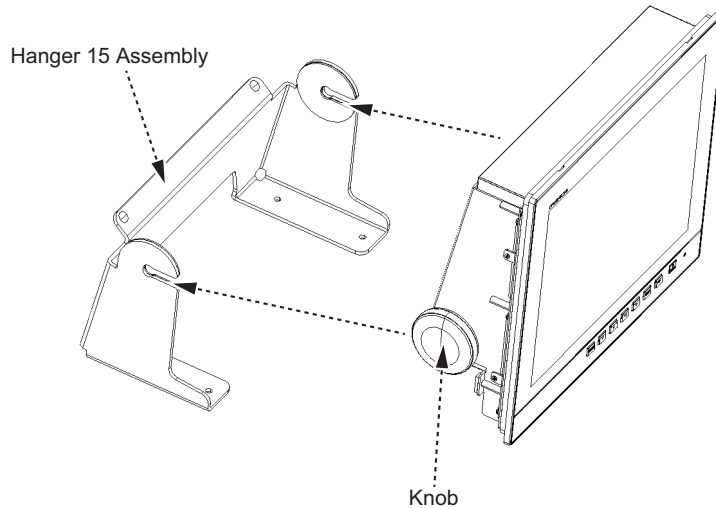


3. Attach the hanger bracket 15 assembly to the rear of the display unit with the washer head screws (9 places, torque: 1.2 N•m).



## 1. MOUNTING, WIRING

4. Connect all cables at the back of the display unit. See section 1.7.
5. Loosen the knobs of the bracket support and set them in the notches on the hanger 15 assembly.

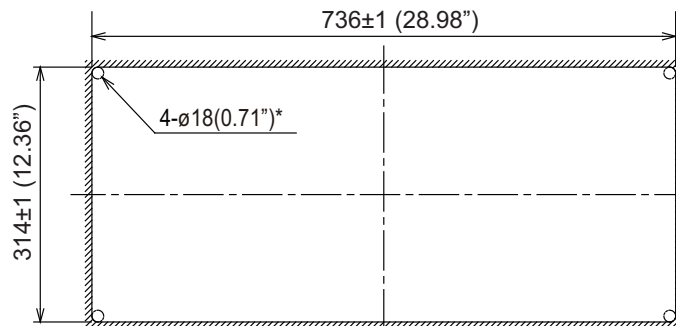


6. Adjust the angle of the display unit and fix the knobs tightly.

## 1.6 Flush Mounting a Series Side by Side

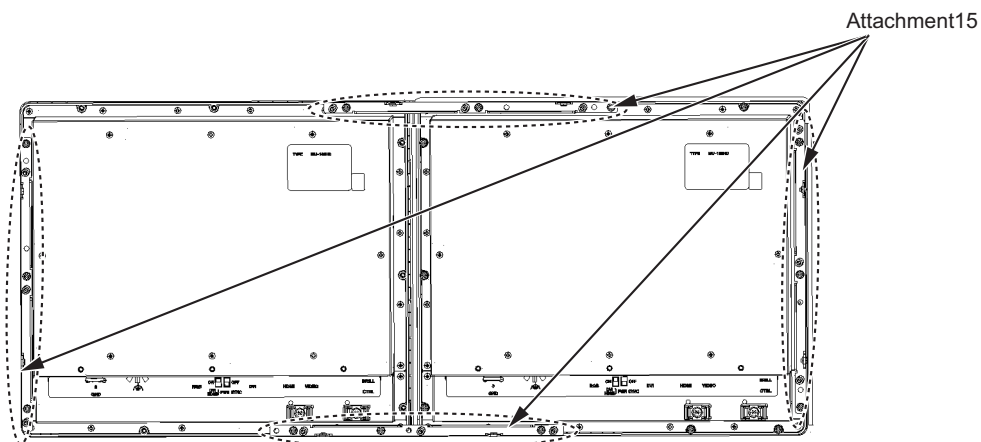
You can flush mount two display units side by side.

1. Make a cutout in the mounting location as shown below.

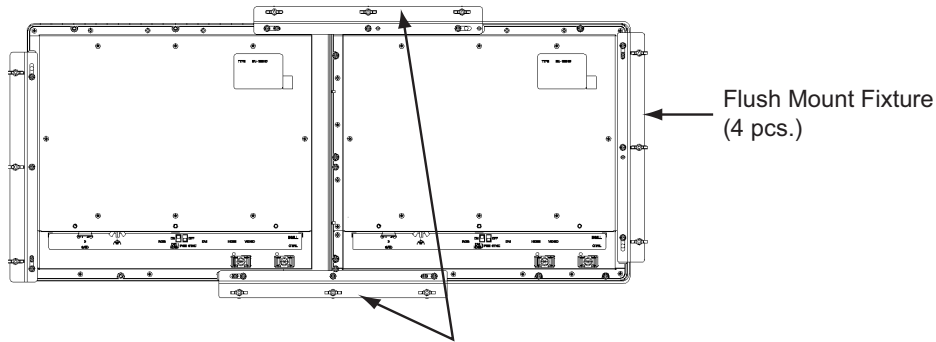


\*: The drill bit with a diameter of 18 mm or less can also be used.

2. Follow step 2 to step 5 in section 1.2 to set the two display units in the mounting location.  
**Note:** Attach the attachment 15 to the top, bottom, left, and right as shown in the figure below.



- Attach the flush mount fixtures with the washer head screws to join the two display units.



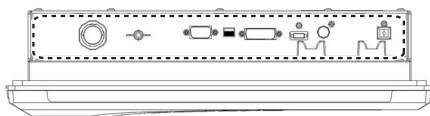
Join the display units with the flush mount fixtures.

- Fasten the two display units tightly. See step 7 to step 9 in section 1.2.

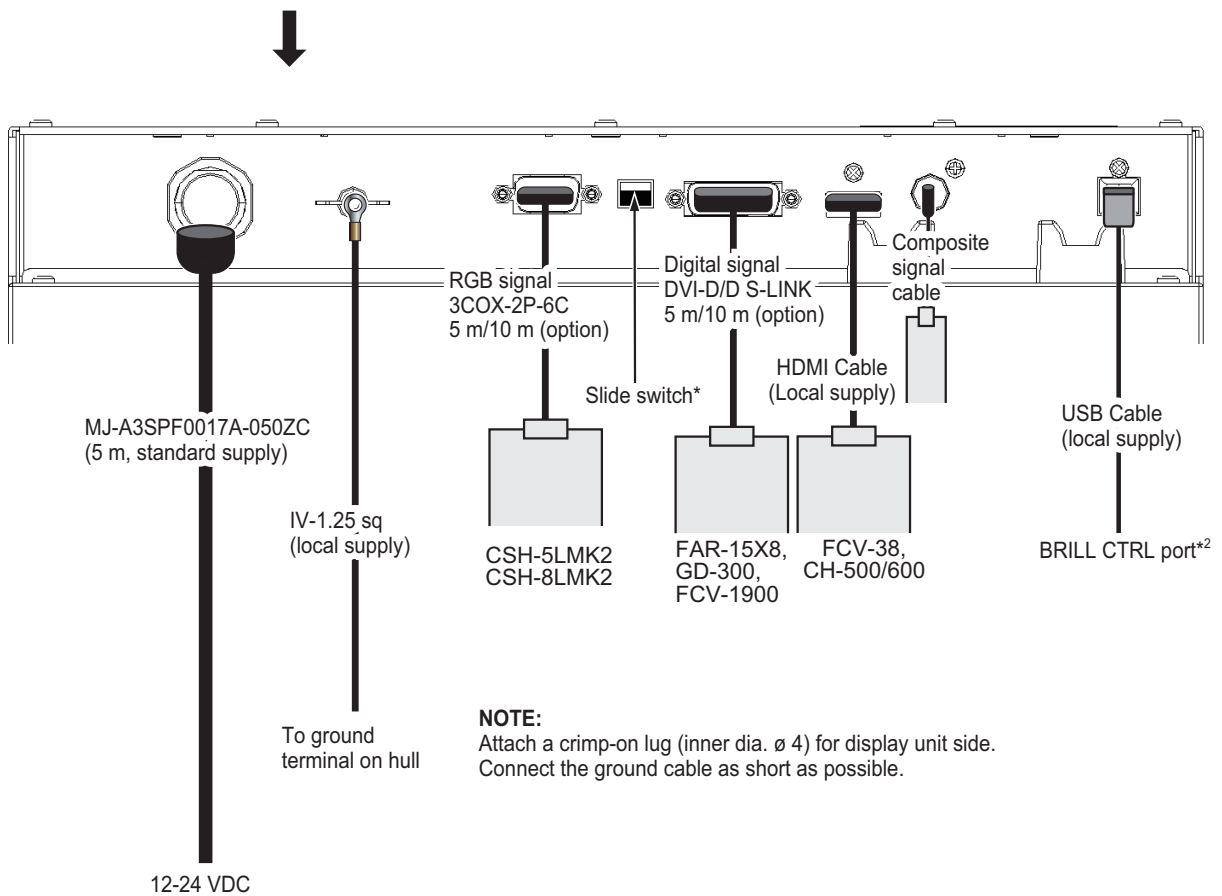
## 1.7 Wiring

Refer to figure below and the interconnection diagram at the back of this manual to connect cables.

### Connector



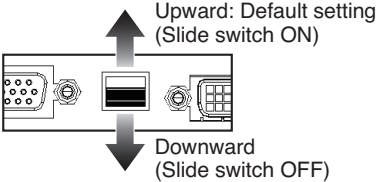
The bottom of the rear of the display unit



## 1. MOUNTING, WIRING

### \*1: Slide switch

Referring to below table to set the slide switch according to your vessel's configuration.

Slide Switch	Inputs	Connected devices	
ON (Factory default)	Digital input (DVI, HDMI)	<ul style="list-style-type: none"><li>• Radar</li><li>• Plotter</li><li>• Fish finder</li></ul>	
OFF	Analog input (RGB)	<ul style="list-style-type: none"><li>• Scanning sonar</li><li>• Current indicator</li></ul>	

**Note:** Turn the slide switch off when you connect equipment to both the DVI, HDMI and RGB ports.

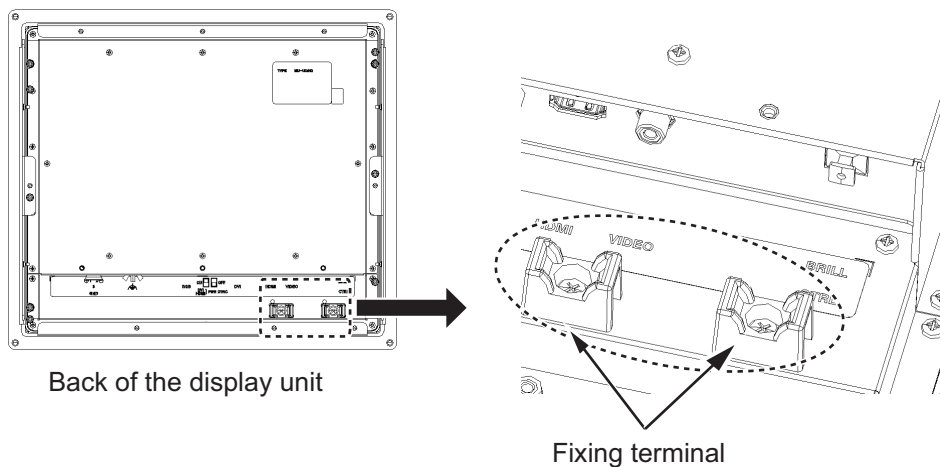
### \*2: BRILL CTRL port

Remove the sticker from the BRILL CTRL port, then connect the USB cable.

### How to fix the composite signal cable

Fix the cables for the composite signal at the fixing terminal with the cable tie, to prevent a loose connection.

1. Pass the cable tie (supplied) through the side of the fixing terminal.
2. Set the cable in the cable tie and pull the tie.
3. Cut off the excess cable tie with nippers.



## 2. ADJUSTMENTS

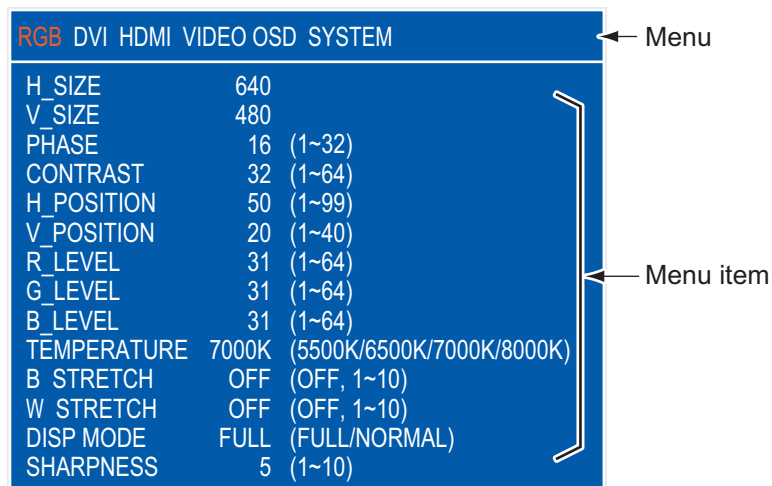
Adjust the MU-152HD according to the equipment connected.

### 2.1 RGB/DVI/HDMI Setting

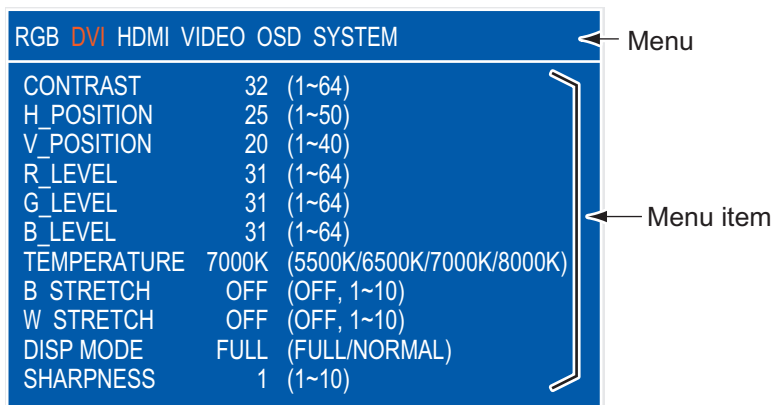
You can adjust the screen from the [RGB], [DVI] and [HDMI] ports separately. Turn on external equipment and adjust the display unit as follows.

1. Select the signal to adjust at the DISP selection window. See section 3.4.
  - 1) Press the **DISP** key.
  - 2) Press the **DISP** key again to select [RGB], [DVI] or [HDMI].
2. Press the **MENU** key to show the menu.  
The main menu closes automatically when there is no operation for one minute.
3. Press the ◀ or ▶ key to select [RGB], [DVI] or [HDMI].  
The current setting (the cursor) is shown in orange. The menu items depend on the selected menu.

**Note:** The menus in grey are not available because of no signal.



*RGB setting menu*



*DVI setting menu (HDMI setting menu is also same as)*

4. Press the ▲ or ▼ key to select the menu item to adjust.

## 2. ADJUSTMENTS

5. Press the ◀ or ▶ key to adjust the setting.
6. Press the **MENU** key to close the menu.

### RGB/DVI/HDMI menu descriptions

Menu item	Function	Setting
H_SIZE	Adjusts the image size horizontally. Horizontal size: ◀ (narrow), ▶ (wide)	Depending on input signal
V_SIZE	Adjusts the image size vertically. Vertical size: ◀ (narrow), ▶ (wide)	
PHASE**	Adjusts the sample timing so that the flicker disappears and the text is clear.	1 to 32
CONTRAST	Increases or decreases the contrast level. ◀ (darken), ▶ (brighten)	1 to 64
H_POSITION	Moves the image position horizontally. ◀ (leftward), ▶ (rightward)	1 to 99 (RGB), 1 to 50 (DVI, HDMI)
V_POSITION	Moves the image position vertically. ◀ (upward), ▶ (downward)	1 to 40
R_LEVEL	Adjusts the red color level. ◀ (weaken), ▶ (strengthen)	1 to 64
G_LEVEL	Adjusts the green color level. ◀ (weaken), ▶ (strengthen)	1 to 64
B_LEVEL	Adjusts the blue color level. ◀ (weaken), ▶ (strengthen)	1 to 64
TEMPERATURE	Adjusts the color temperature. 5500K (the most reddish), 8000K (the most bluish)	5500K, 6500K, 7000K, 8000K
B STRETCH	Emphasizes the black color. [OFF] (standard), ◀ (weaken), ▶ (strengthen)	OFF, 1 to 10
W STRETCH	Emphasizes the white color. [OFF] (standard), ◀ (weaken), ▶ (strengthen)	OFF, 1 to 10
DISP MODE*	Selects the displaying method. [FULL]: Shows the input signal on entire screen. [NORMAL]: Shows the input signal with original aspect ratio.	FULL, NORMAL
SHARPNESS**	Sharpens the edge horizontally. ◀ (soften characters and lines), ▶ (sharpens characters and lines)	1 to 10

\*: When inputting SXGA, a circle may be displayed as an ellipse because the aspect ratio differs. In this case, select [NORMAL] from the [DISP MODE] menu item on the [RGB], [DVI], or [HDMI] menus. The right and left on the screen are left blank, but this is normal.

\*\* : If the characters are not clear, adjust [PHASE] and [SHARPNESS].



## 2.2 Video Composite Signal Setting

You can adjust the VIDEO signal from the VIDEO port. The VIDEO signal is also displayed in the PIP window.

1. Select the signal to adjust at the DISP selection window.
2. Press the **MENU** key to show the menu.
3. Press the ◀ or ▶ key to select [VIDEO].

RGB	DVI	HDMI	VIDEO	OSD	SYSTEM
PIP_SIZE			5	(1~10)	
CONTRAST			32	(1~64)	
R_LEVEL			31	(1~64)	
G_LEVEL			31	(1~64)	
B_LEVEL			31	(1~64)	
TEMPERATURE	7000K			(5500K/6500K/7000K/8000K)	
B STRETCH			OFF	(OFF, 1~10)	
W STRETCH			OFF	(OFF, 1~10)	

*[VIDEO] setting menu*

4. Press the ▲ or ▼ key to select the menu item to set.
5. Press the ◀ or ▶ key to adjust the setting.
6. Press the **MENU** key to close the menu.

### VIDEO menu descriptions

Menu item	Function	Setting
PIP_SIZE	Adjusts the size of picture-in-picture window. <b>Note:</b> This setting is available when the PIP window is displayed.	1 (47 mm x 31 mm) to 10 (235 mm x 160 mm)
CONTRAST	Increases or decreases the contrast level.	1 to 64
R_LEVEL	Adjusts the red color level.	1 to 64
G_LEVEL	Adjusts the green color level.	1 to 64
B_LEVEL	Adjusts the blue color level.	1 to 64
TEMPERATURE	Adjusts the color temperature.	5500K, 6500K, 7000K, 8000K
B STRETCH	Emphasizes the black color.	OFF, 1 to 10
W STRETCH	Emphasizes the white color.	OFF, 1 to 10

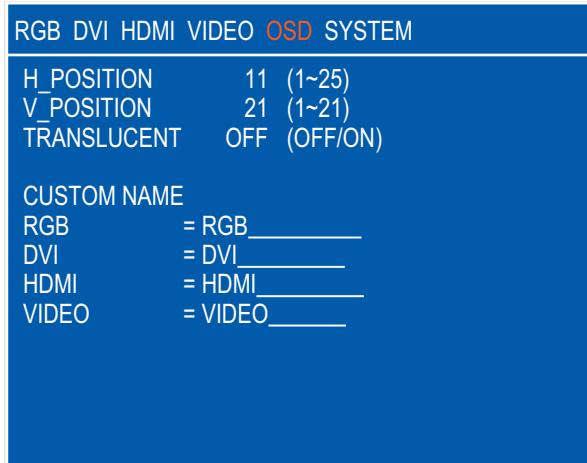
(Refer to "RGB/DVI /HDMI menu descriptions" on page 19.)

## 2.3 The Menu Window Setting

### 2.3.1 How to adjust the menu window

You can adjust the position and transparency of the menu window on the [OSD] (On Screen Display) menu.

1. Press the **MENU** key to show the menu.
2. Press the ◀ or ▶ key to select [OSD].



*OSD menu*

3. Press the ▲ or ▼ key to select the menu item to set.
4. Press the ◀ or ▶ key to adjust the setting.
5. Press the **MENU** key to close the menu.

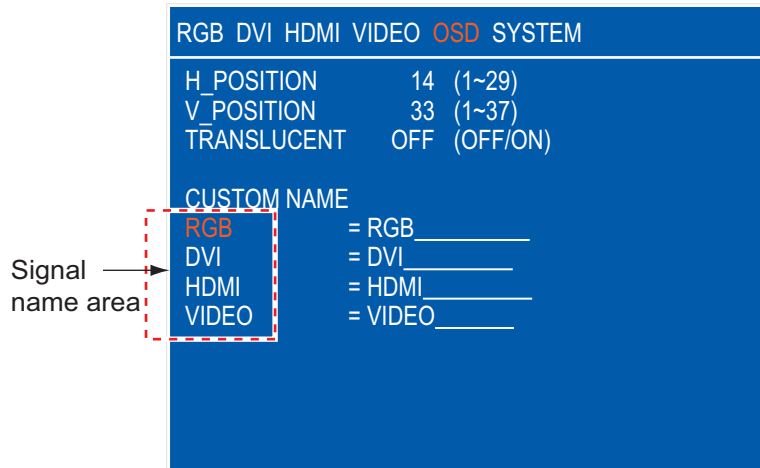
*OSD menu description*

Menu item	Function	Setting
H_POSITION	Moves the menu window horizontally. ◀ (leftward), ▶ (rightward)	1 to 25
V_POSITION	Moves the menu window vertically. ◀ (upward), ▶ (downward)	1 to 21
TRANSLUCENT	Adjusts the transparency of the background color on the menu window. [OFF]: Blue, [ON]: Translucent <b>Note: Alpha blending technology is used for transparency effects.</b>	OFF, ON
CUSTOM NAME	See paragraph 2.3.2.	

### 2.3.2 How to change the signal name

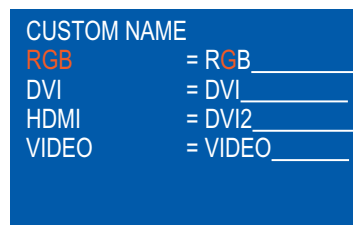
You can change the signal name (“RGB”, “DVI”, “HDMI” or “VIDEO”) to a name (ex. the equipment name) which is easy to understand. The changed name is shown in the DISP selection window, PIP selection window and the indication shown at the upper right of the screen. See section 3.4 and section 3.5.

1. Press the **MENU** key to show the main menu.
2. Press the ◀ or ▶ key to select [OSD].



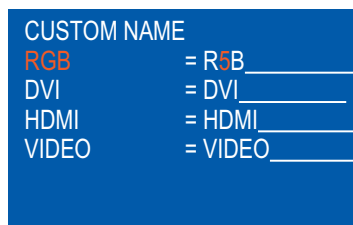
*Signal name area*

3. Press the ▲ or ▼ key to select the signal to change its name, in the signal name area. In the example above, RGB is selected.
4. Press the ▶ key to select the character to change. In the example below, “G” of RGB is selected.



5. Press the ▲ or ▼ key to select appropriate alphanumeric character. In the example below, “5” is selected.

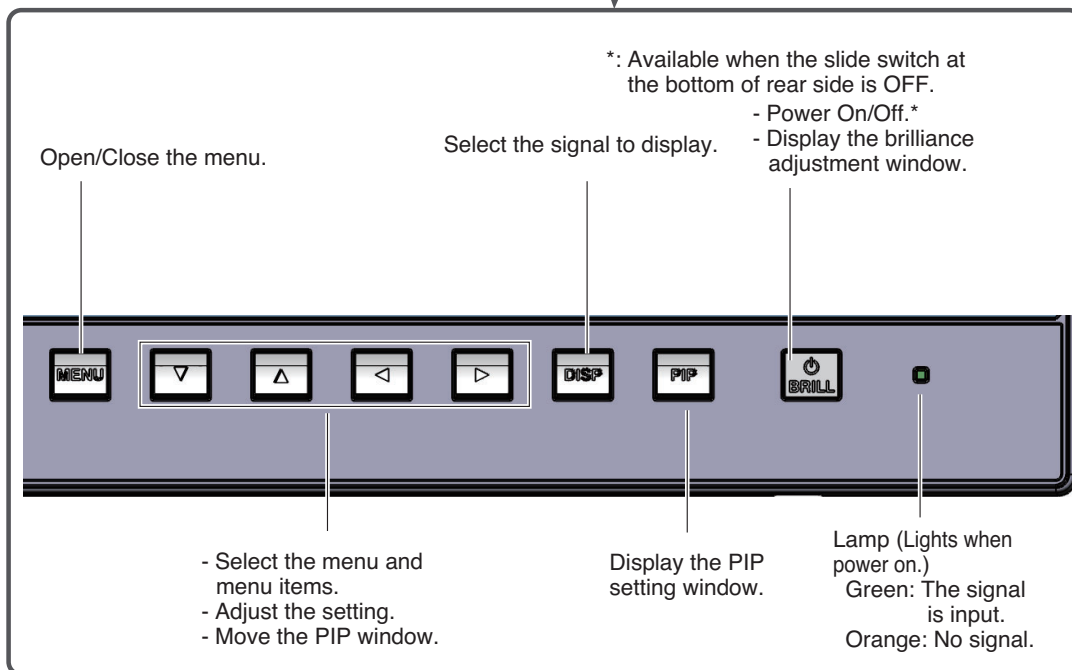
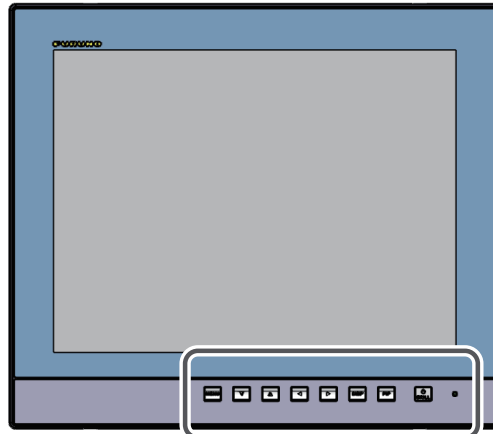
You can set up to ten characters. “A to Z”, “0 to 9”, “-”, “.”, “ ” (space) are available.



6. To change another signal name, press the ◀ key several times to return the cursor to the signal name area. Repeat steps 3 to 5.
7. Press the **MENU** key to close the menu.

# 3. OPERATION

## 3.1 Controls



## 3.2 How to Turn the Power On/Off

This section shows how to turn on/off the display unit and the key lock function.

### 3.2.1 Turn on/off the power

How to turn on/off the power depends on the setting of the slide switch. The slide switch is set when the display unit is installed. See section 1.7.

**Note 1:** When you restart the display unit, wait at least three seconds before powering the unit.

**Note 2:** The screen refreshes slower in low ambient temperature.



#### Slide switch “ON”

The external equipment connected to the DVI/HDMI port can power on/off the display unit.

**Note 1:** You can not turn on the power with the /BRILL key on MU-152HD.

**Note 2:** If equipment is connected to both DVI and HDMI ports, turn off the power of the connected equipments to turn off the display unit.


#### Slide switch “OFF”

1. Press the /BRILL key to turn on the display unit.
2. Press and hold the /BRILL key for three seconds to turn off the display unit. While you hold the key, the display shown right appears.



SHUT DOWN  
This monitor will shut down in three seconds.

### 3.2.2 Lock the operation

You can lock the display unit to prevent operation. Any key (except the /BRILL key) will be inoperative.

1. While pressing and holding down the **PIP** key, turn on the display unit. Press and hold the **PIP** key for more than five seconds.  
**Note:** When the slide switch is “ON”, turn on the connected external equipment while pressing the **PIP** key to turn on the display unit.
2. To cancel the lock, turn off the display unit and then turn it on while pressing and holding down the **PIP** key. Press and hold the **PIP** key more than five seconds.

## 3.3 How to Adjust the Display Brilliance

You can adjust the display brilliance as follows:

1. Press the /BRILL key momentarily to show the BRILL adjustment window.

The window shown right disappears if there is no operation for five seconds.



### 3. OPERATION

2. Press the ◀ or ▶ key to adjust the brilliance (available range: 1 to 50, default: 50).

You can also adjust the brilliance by pressing the ⏻/BRILL key repeatedly.

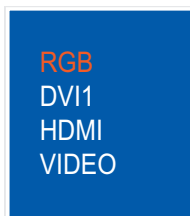
**Note 1:** If the display unit is turned off with the brilliance set to minimum, the screen may not be visible depending on lighting conditions. In this case, press the ⏻/BRILL key repeatedly to raise the brilliance.

**Note 2:** When the display unit is used with a FAR-15x3/15x8 series radar, you can adjust the brilliance from the FAR-15x3/15x8 series. (See paragraph 3.6.1.)

## 3.4 How to Select the Source for Main Picture

Select the signal to display on the entire screen as follows:

1. Press the **DISP** key to show the DISP selection window.  
The signal names are shown in the window as you customized at paragraph 2.3.2.  
This window disappears if there is no operation for five seconds.

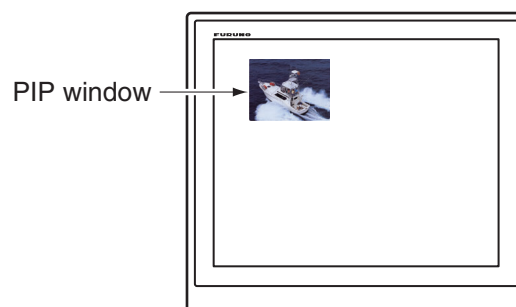


*DISP selection window (Default setting)*

2. Press the ▲ or ▼ key to select a signal.  
You can also select the signal by pressing the **DISP** key continuously.  
[RGB]: The signal from the RGB port is displayed.  
[DVI]: The signal from the DVI port is displayed.  
[HDMI]: The signal from the HDMI port is displayed.  
[VIDEO]: The external video from the VIDEO port is displayed.
3. Press the ◀ or ▶ key to close the window.  
The name of the selected signal appears at the right top corner for five seconds after the DISP selection window disappears. If there is no signal, "NO SIGNAL" appears.

## 3.5 How to Select the Source for the PIP Window

Select the source for the PIP (picture-in-picture) window as follows. The PIP window is available on the RGB, DVI and HDMI displays.



1. With the RGB, DVI or HDMI display shown, press the **PIP** key to show the PIP window. To hide the PIP window, press the **PIP** key again.
2. You can move the PIP window by pressing the arrow keys when the menu is closed.

**Note:** You can adjust the size of the PIP window on the [VIDEO] menus. See section 2.2.

## 3.6 SYSTEM Menu

You can set the brilliance control and clear the memory from the [SYSTEM] menu. Also, you can check the signal status and the program number on the [SYSTEM] menu.

### 3.6.1 How to adjust the brilliance from the external equipment

When a FAR-15x3/15x8 series radar is connected to the [DVI] port, you can adjust the brilliance of the display unit from the FAR-15x3/15x8.

1. Press the **MENU** key to show the main menu.
2. Press the **▶** key to select [SYSTEM].
3. Press the **▲** or **▼** key to select [EXT BRILL CTRL].
4. Press the **◀** or **▶** key to set the desired input item.  
 [OFF]: You can not adjust the brilliance from the external equipment.  
 [DVI]: When the DVI is displayed, the brilliance signal from DVI port controls this display's brilliance. The **☺/BRILL** key is available for the screen other than the DVI.  
 [USB]: Adjust the brightness from luminance signal-compatible devices connected to the BRILL CTRL port (the **☺/BRILL** key is disabled on all screens).
5. Press the **MENU** key to close the menu.

### 3.6.2 FISH FINDER Mode

Flickering of the fishfinder display can be adjusted.

1. Press the **MENU** key to show the main menu.
2. Press the **▶** key to select [SYSTEM].
3. Press the **▲** or **▼** key to select [FISH FINDER MODE].
4. Press the **◀** or **▶** key to set the desired input item.  
 [OFF]: Flickering adjustment disabled.  
 [Mode1] to [Mode5]: Flickering adjustment possible.
5. Press the **MENU** key to close the menu.

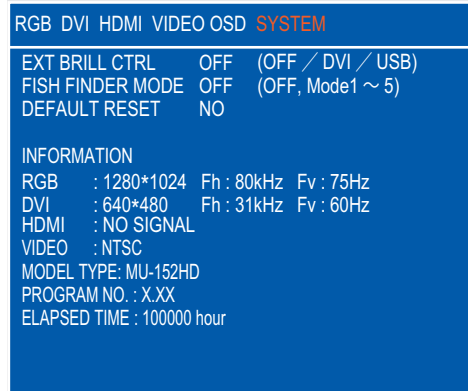
### 3. OPERATION

#### 3.6.3 How to clear the memory

You can clear the memory to restore the default settings.

1. Press the **MENU** key to show the main menu.
2. Press the **▶** key to select [SYSTEM].
3. Press the **▲** or **▼** key to select [DEFAULT RESET].
4. Press the **▶** key.

The display is changed to "YES" from "NO".



RGB	DVI	HDMI	VIDEO	OSD	SYSTEM
EXT BRILL CTRL	OFF	(OFF / DVI / USB)			
FISH FINDER MODE	OFF	(OFF, Mode1 ~ 5)			
DEFAULT RESET	NO				
INFORMATION					
RGB	: 1280*1024	Fh : 80kHz	Fv : 75Hz		
DVI	: 640*480	Fh : 31kHz	Fv : 60Hz		
HDMI	: NO SIGNAL				
VIDEO	: NTSC				
MODEL TYPE:	MU-152HD				
PROGRAM NO. :	X.XX				
ELAPSED TIME :	100000 hour				

**Note:** To cancel, press the **◀** key. The display is changed to "NO" from "YES".

5. Press the **▶** key to select "reset".



# 4. MAINTENANCE, TROUBLESHOOTING

---

## NOTICE

**Do not apply paint, anti-corrosive sealant or contact spray to coating or plastic parts of the equipment.**

Those items contain organic solvents that can damage coating and plastic parts, especially plastic connectors.

## 4.1 Maintenance

### Routine maintenance

Regular maintenance is important for good performance. Check the following on a regular basis to keep the equipment in good condition.

- Check that the connectors at the bottom of the display unit are tightly fastened.
- Check the ground wire and ground terminal for rust. Clean if necessary. Confirm that the ground wire is tightly fastened.
- Remove dust and dirt from the display unit with a dry, soft cloth. Do not use chemical cleaners to clean any part of the display unit. They can remove paint and markings.
- Wipe the LCD carefully to prevent scratching, using LCD cleaning cloth (supplied as accessory). To remove dirt or salt deposits, use an LCD cleaner, wiping slowly with tissue paper so as to dissolve the dirt or salt. Change paper frequently so the salt or dirt will not scratch the LCD. Do not use solvents such as thinner, acetone or benzene for cleaning. Also, do not use degreaser or antifog solution, as they can strip the coating from the LCD.

### Fuse replacement

The fuse in the fuse holder on the power cable protects the equipment from internal fault. If the fuse blows, find the cause before you replace it. If the fuse blows again after replacement, request service.



## WARNING

**Use the proper fuse.**

Use of a wrong fuse can cause fire or damage to the equipment.

Name	Type	Code Number
Fuse	FGBO-A 125V 5A PBF	000-199-681-10

**LCD replacement**

The life of the LCD is approximately 40,000 hours. The actual number of hours depends on ambient temperature and humidity. When the brilliance cannot be raised sufficiently, replace the LCD.



**Fan replacement**

The life of the fan is approximately 90,000 hours. The actual number of hours depends on ambient temperature. When the fan rotation is abnormal, the message "REPLACE FAN" is shown. Turn off the power and contact your dealer to request replacement of the fan.

## 4.2 Troubleshooting

See the following table to find the possible causes and the actions to restore normal operation. If repair of the equipment is necessary, report the result of the troubleshooting to the service technician.

*Troubleshooting*

Case	Remedy
You can not turn on the power.	<ul style="list-style-type: none"> <li>• Check the setting for the slide switch. See section 1.7.</li> <li>• Check the battery voltage with a multimeter.</li> <li>• Check the fuse on the power cable.</li> <li>• Fasten the power cable tightly.</li> </ul>
You can not turn off the power.	<ul style="list-style-type: none"> <li>• Press and hold the /BRILL key for eight seconds.</li> <li>• When the slide switch is set to ON, turn off the external equipment connected.</li> </ul>
No picture	<ul style="list-style-type: none"> <li>• Fasten the cables tightly.</li> <li>• Check the input signal. See section 3.6.</li> </ul>
You can not operate any key except the  /BRILL key.	Cancel the key lock function. See paragraph 3.2.2.

# APPX. 1 ABBREVIATIONS

	Abbreviation	Meaning
A	APR	Application Program
	AUTO	Automatic
B	B	Black
	BRILL	Brilliance
C	CCD	Charge-Coupled Device
	CH	Type of FURUNO searchlight sonar
	CI	Type of FURUNO current indicator
	CSH	Type of FURUNO color scanning sonar
	CTRL	Control
D	DISP	Display
	DVD	Digital Versatile Disc
	DVI	Digital Visual Interface
E	EXT	External
F	FAR	Type of FURUNO radar
	FCV	Type of FURUNO fish finder
	Fh	Horizontal Frequency
	FSV	Type of FURUNO color scanning sonar
	Fv	Vertical Frequency
G	GD	Type of FURUNO color video plotter
H	H	Horizontal
L	LCD	Liquid Crystal Display
	LED	Light-Emitting Diode
N	NO.	Number
	NTSC	National Television System Committee
O	OSD	On-Screen Display
P	PAL	Phase Alternating Line
	PC	Personal Computer
	PIP	Picture-in-Picture
Q	Qty	Quantity
R	RGB	Red/Green/Blue
S	SW	Switch
	SXGA	Super Extended Graphics Array (1280×1024)
U	USB	Universal Serial Bus
V	V	Vertical
	VGA	Video Graphics Array (640×480)
W	W	White
X	XGA	Extended Graphics Array (1024×768)

## Units of measurement

Abbreviation	Meaning	Abbreviation	Meaning
A	Ampere(s)	mm	Millimeter(s)
Hz	Hertz(es)	pc.	Piece
K	Kelvin	pcs.	Pieces
kHz	Kilohertz(es)	V	Volt(s)
m	Meter(s)		

**SPECIFICATIONS OF MARINE DISPLAY  
MU-152HD****1 GENERAL**

1.1	Screen size	15-inch color LCD, 304.1 x 228.1 mm
1.2	Resolution	1024 x 768 (XGA)
1.3	Pixel pitch	0.297 mm (horizon/vertical)
1.4	Brightness	1,000 cd/m
1.5	View angle	160° (up/down, left/right 80° or more)
1.6	Visible distance	1.02 m
1.7	Interface (input)	
	RGB analog	1 port, non-interlace, Video signal: 0.7 Vp-p, Sync. signal: TTL level
	DVI-D	1 port, DVI-standard, VESA DDC2B
	HDMI	1 port, DVI-standard, VESA DDC2B
	Composite signal	1 port, NTSC/PAL, Video signal: 0.7 Vp-p
	USB	1 port, USB1.1, 12 Mbps (for dimmer control)

**3 POWER SUPPLY**

12-24 VDC (10.8-31.2 V): 2.5-1.3 A

**4 ENVIRONMENTAL CONDITIONS**

4.1	Ambient temperature	-15°C to +55°C
4.2	Relative humidity	93% or less at +40°C
4.3	Degree of protection	IP56 (front panel), IP22 (rear panel)
4.4	Vibration	IEC 60945 Ed.4

**5 UNIT COLOR**

N1.0

# 重要なお知らせ



---

- マニュアル記載内容の一部または全部の転載、複写は著作権者である当社の許諾が必要です。無断転載することを固くお断りします。
- 製品の仕様ならびにマニュアルの内容は予告なく変更することがあります。
- 画面に表示される内容は、システムの設定や動作状態によって異なります。したがって、マニュアル内に掲載してあるイラストは画面の表示と異なる場合があります。
- お客様がマニュアルの内容に従わずに本機または本ソフトウェアを取り扱われたり、または当社および当社指定の者以外の第三者により改造・変更されることに起因して生じる障害等については、当社は責任を負いかねますのでご了承ください。
- お買い上げの機器を廃棄するときは、産業廃棄物として地方自治体の条例または規則に従って処理してください。詳しくは、各地方自治体に問い合わせてください。
- マニュアルに記載されている社名、製品名は、一般に各開発メーカーの登録商標または商標です。

# ⚠ 安全にお使いいただくために







[必ずお守りください]



お使いになる人や他の人への危害、財産への損害を未然に防止するため、以下のことを必ずお守りください。表示内容を見逃して誤った使い方をしたときに生じる危害や損害の程度を、本書では次の表示で区分し、説明していますので十分に気をつけてください。




 <b>警告</b>	この表示は「取扱いを誤った場合、死亡または重傷を負う可能性が想定される」内容です。
 <b>注意</b>	この表示は「取扱いを誤った場合、中程度または軽傷の傷害、あるいは財産への損害を負う可能性が想定される」内容です。

 「注意喚起」の内容	 「禁止」の内容	 「強制」の内容
---	---	---


## 取扱い上の安全事項


 <b>警告</b>
 機器内部に金属や水、異物が入ったときは、ただちに配電盤の電源スイッチを切ること。 火災、感電の原因になります。
 発煙、発火のときは、速やかに配電盤の電源スイッチを切ること。 火災、感電の原因になります。必ず、お買い上げ先へ連絡してください。
 分解・改造は絶対しないこと。 火災、感電、ケガの原因になります。
 異常を感じたときは、速やかに配電盤の電源スイッチを切ること。 使用中に機器が異常に熱くなったり、異常な音がするときは速やかに配電盤の電源スイッチを切り、お買い上げ先へ連絡してください。
 ヒューズは指定のものを使用すること。 指定外のものを使った場合、重大な事故や火災を引き起こす原因になります。


 <b>警告</b>
 排気孔と吸気孔の周辺には物を置かないこと。 火災の原因になります。


 <b>注意</b>
 電源を入れた状態で、信号ケーブルコネクタの抜き差しを行わないでください。 表示器が故障する恐れがあります。
 液晶パネルはガラスでできていますので、強い力や衝撃を加えないでください。 ガラスが割れて、ケガの原因となる場合があります。


## 装備上の安全事項

 **警告**


 機器を装備する前に、必ず配電盤の電源スイッチを切っておくこと。  
火災、感電の原因になります。

 水しぶきや雨の当たるところには装備しないこと。  
火災、感電、故障の原因になります。

 **注意**

 次のコンパス安全距離を確保してください。  
コンパス安全距離を確保しないと、安全な操船ができない場合があります。

標準コンパス	操舵コンパス
0.60m	0.35m

 ハードカバーを付けた状態で表示器を持ち上げる場合は、表示器本体とハードカバーを一緒に持ち上げてください。  
ハードカバーだけを持つと表示器本体が落下し、ケガをする恐れがあります。

### TFT液晶パネルについて

TFT液晶パネルは、非常に精密度の高い技術で作られており99.99%以上が有効画素ですが、0.01%以下の画素欠けや常時点灯する画素が存在します。また、視野角の制限、画面ちらつきがあります。これらは故障ではありませんので、あらかじめご了承ください。

# 目次

はじめに	v
システム構成	vi
構成表	vii
1章 取付けと結線	1
1.1 準備	1
1.2 埋込み背面留め (オプション)	3
1.3 埋込み前面留め (オプション)	7
1.4 フード付き埋込み背面留め (オプション)	10
1.5 卓上取付け (オプション)	13
1.6 横並び連結取付け (埋込み背面留め)	16
1.7 結線	17
2章 装備後の調整	19
2.1 RGB、DVI、HDMI 画面の設定	19
2.2 VIDEO 画面の設定	21
2.3 メニュー表示の設定	22
2.3.1 メニューを調整する	22
2.3.2 信号名を変更する	23
3章 操作	24
3.1 操作パネルの説明	24
3.2 電源のオン/オフ	25
3.2.1 電源をオン/オフする	25
3.2.2 キーをロックする	25
3.3 輝度の調整	26
3.4 入力信号の選択	26
3.5 PIP ウィンドウ内の入力信号の選択	27
3.6 システムメニュー	28
3.6.1 外部機器から輝度を調整する	28
3.6.2 FISH FINDER モード	28
3.6.3 設定を初期化する	29
4章 保守点検およびトラブルシューティング	30
4.1 保守点検	30
4.2 故障かなと思ったら	31
追補 1 略語	AP-1
仕様	SP-1
パッキングリスト	A-1
外寸図	D-1
相互結線図	S-1



# はじめに

このたびは、当社製品をお買い求めいただき、誠にありがとうございます。当社は1948年の創業以来、数々の船用電子機器を製造販売しており、性能、品質、信頼性については全世界のユーザーの方々から高い評価を受けています。本機は、厳しい品質管理のもとで設計・製造されていますので、性能・耐久性ともに安心してご使用いただけます。この取扱説明書をよくお読みいただき、本来の性能を十分発揮させていただきますようお願い申し上げます。

## 特徴

本機は、15型の高輝度カラーLCD表示器です。主な特徴は次のとおりです。

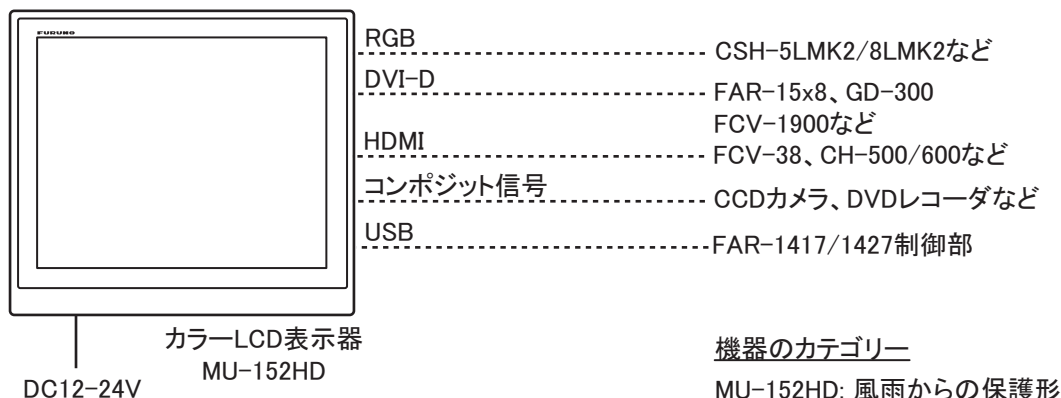
- アナログRGB信号1系統、DVI信号1系統、HDMI信号1系統、コンポジット信号1系統を接続し、メニューにて選択表示が可能
- 様々な機種との接続が可能（接続可能機種については「システム構成」参照）
- 高解像度表示 [XGA (1024x768 ドット)]
- 高輝度表示（最大輝度 1000cd/ m<sup>2</sup>、最小輝度 0.3cd/ m<sup>2</sup>以下）
- ピクチャーインピクチャー機能付き
- DVI、または HDMI 信号による表示器の自動電源オン／オフ機能付き

## プログラム

プログラム名	バージョン番号	設定日
Main	1.XX	2023年1月

XX: 軽微な変更の進度

# システム構成



## 接続可能機種

機種	解像度	信号形式
CSH-5L/8LMK2	XGA	RGB
CH-500/600	XGA	HDMI
FCV-38	XGA/SXGA	HDMI
FCV-2100	XGA/SXGA	DVI
FCV-1900	XGA/SXGA	DVI
CI-38/68/88 BB	VGA	RGB
GD-300	XGA	DVI
GD-700	XGA/SXGA	DVI
FAR-14x7	XGA/SXGA	DVI
FAR-15x3/15x8	XGA	DVI
FAR-2xx8	SXGA	DVI
FSV-25/25S MARK-2	SXGA	DVI
FSV-75	SXGA	HDMI

注 1) 横型のみ対応。

注 2) SXGA 解像度の信号を入力した場合、表示器 (XGA) の縦横比と異なるので、正円 (真円) が楕円に表示されます (20 ページの「DISP MODE\*」を参照)。また、小さい文字が見えにくい場合があります。

# 構成表

## 標準支給品

名称	型式	コード番号	数量	備考
カラー LCD 表示器	MU-152HD	-	1	ハードカバー付き
予備品	SP26-01001	001-621-760	1 式	
ケーブル組品 MJ	MJ-A3SPF0017A-050ZC	000-175-421-10	1	

## オプション

名称	型式	コード番号	数量	備考
ケーブル組品	3COX-2P-6C 5M	001-077-230-10	1	5m、両端 15 ピン D-sub コネクタ付き
	3COX-2P-6C 10M	001-077-220-10	1	10m、両端 15 ピン D-sub コネクタ付き
	DVI-D/D S-LINK 5M	001-132-960-10	1	5m、両端 DVI-D コネクタ付き
	DVI-D/D S-LINK 10M	001-133-980-10	1	10m、両端 DVI-D コネクタ付き
ハンガー	JE07002-B003	001-634-610	1 式	
フード	JE07002-B005	001-634-630	1 式	
フラッシュマウント パネル	JE07002-B022	001-634-650	1 式	
フラッシュマウント パネルキット	JE07002-B020	001-634-670	1 式	
背面金具	JE07002-B024	001-641-210	1 式	
F マウント金具 15	CP26-02601	001-621-770	1 式	
工事材料	CP26-02602	001-621-780	1 式	

このページは白紙です

# 1 章 取付けと結線

## 1.1 準備

### 取付け方法

表示器は次のような方法で取り付けることができます。

- 埋込み前面留め（オプション）
- フード付き埋込み背面留め（オプション）
- 卓上取付け（オプション）
- 横並び連結取付け（埋込み背面留め）

取付け寸法の詳細は、巻末の外寸図を参照してください。

注) LCD 管面は壊れやすいガラス素材でできているので、強い衝撃や圧力を加えないように注意して取り付けてください。

### 取付け位置

次の点を考慮して取付け位置を決めてください。

- 取付け場所が表示器の重さに耐えられる場所
- 直射日光が LCD の表面に長時間当たらない場所  
LCD に直射日光が長時間当たると、LCD がブラックアウト（黒くなる現象）する可能性があります。
- 船の周囲の状況を観察しながら機器の操作ができる見通しの良い場所
- 巻末の外寸図に示す保守・点検用のスペースが確保できる場所
- 水しぶきのかからない場所
- コンパス安全距離（iii ページ参照）を確保できる場所

### ハードカバーの取外し / 取付け

梱包箱を開けると、表示器本体にハードカバーが取り付けられています。本体を取り付ける前に次の要領でハードカバーを取り外してください。

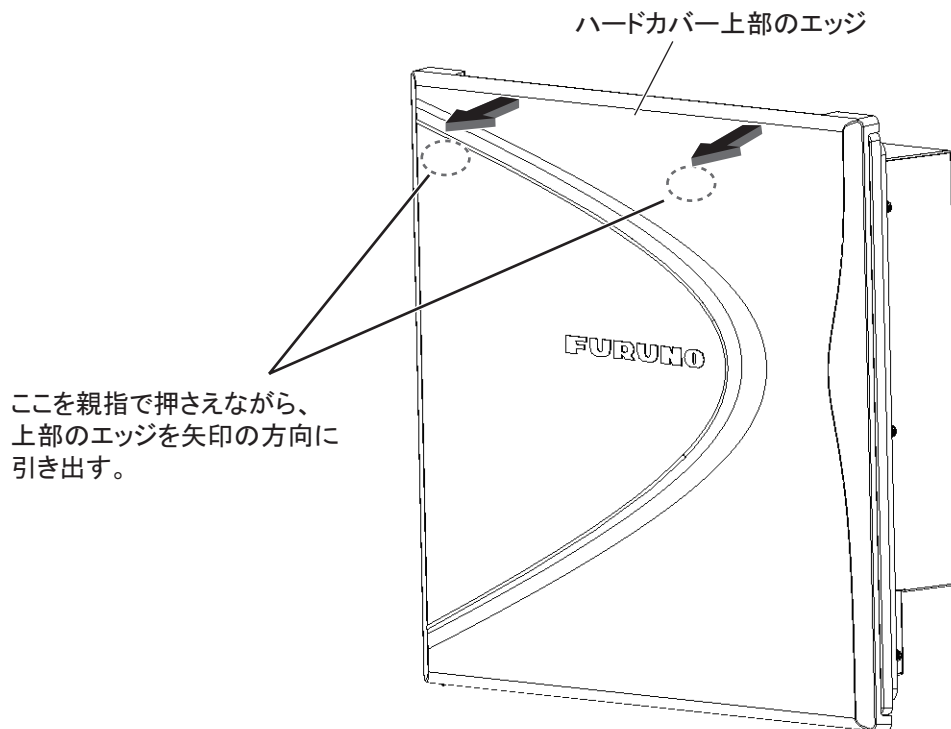
## 注意



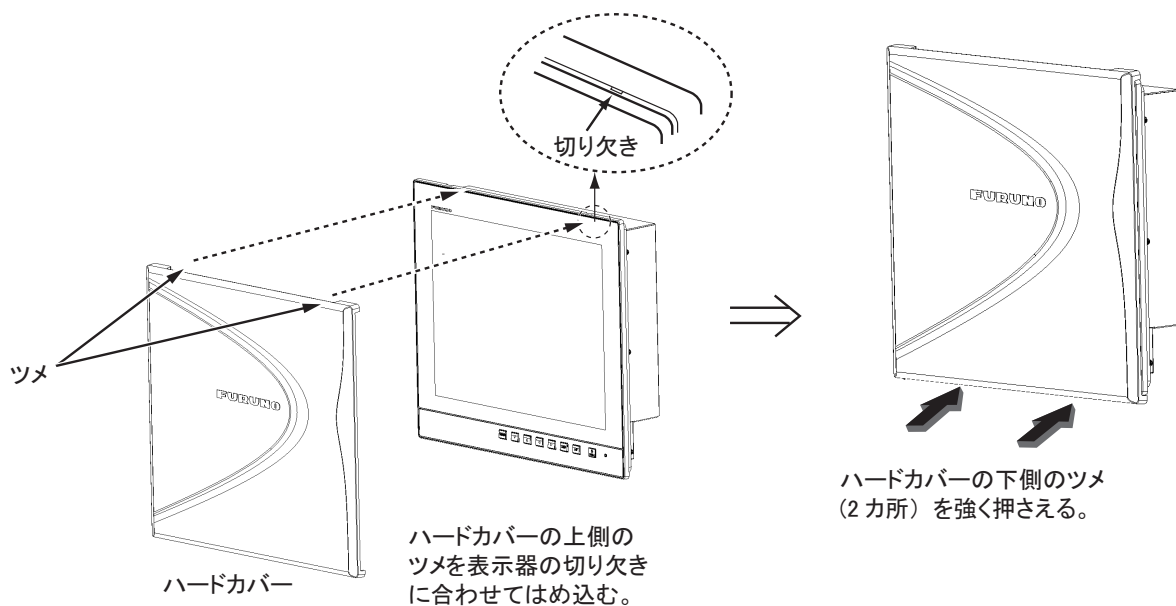
ハードカバーを付けた状態で表示器を持ち上げる場合は、表示器本体とハードカバーを一緒に持ち上げてください。  
ハードカバーだけを持つと表示器本体が落下し、ケガをする恐れがあります。

## 1章 取付けと結線

### 取外し



### 取付け



### 配線

表示器を取り付ける前に必要なケーブルを配線しておきます。配線は、巻末の相互結線図を参照してください。

## 1.2 埋込み背面留め（オプション）

オプションのFマウント金具 15 CP26-02601（コード番号：001-621-770）、および工事材料 CP26-02602（コード番号：001-621-780）を使用し、表示器を背面から埋込み装備することができます。

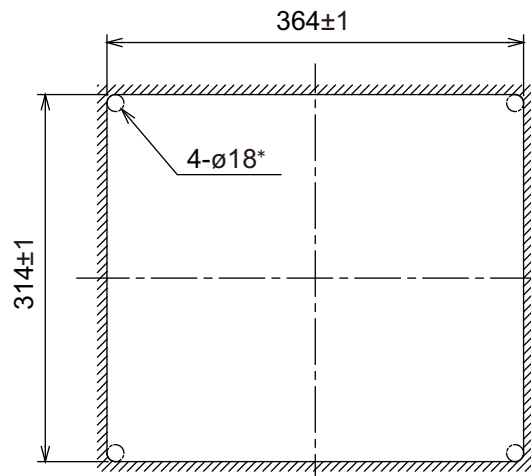
### Fマウント金具 15 CP26-02601（コード番号：001-621-770）内訳

名称	型式	コード番号	数量	備考
IM LIST	JE07002-Y533	000-199-746-10	1	
マウント金具 15	JE07002-Y528	000-199-988-10	2	
蝶ボルト	JE82001-0013	000-199-986-10	6	
蝶ナット	JE82001-0014	000-199-987-10	6	
ネジ足プロテクタ	26-005-2125-0	100-354-800-10	6	
ナベセムスネジ	J6-SW3N4-10200	000-199-677-10	12	
アタッチメント金具 15	JE07002-Y527	000-199-683-10	2	

### 工事材料 CP26-02602（コード番号：001-621-780）内訳

名称	型式	コード番号	数量	備考
IM LIST	JE07002-Y946	000-199-747-10	1	
Fマウントスポンジ H15	JE07002-Y543	000-199-684-10	2	
Fマウントスポンジ V15	JE07002-Y544	000-199-685-10	2	

1. 同梱の型紙を使って、装備場所に穴を開けます。



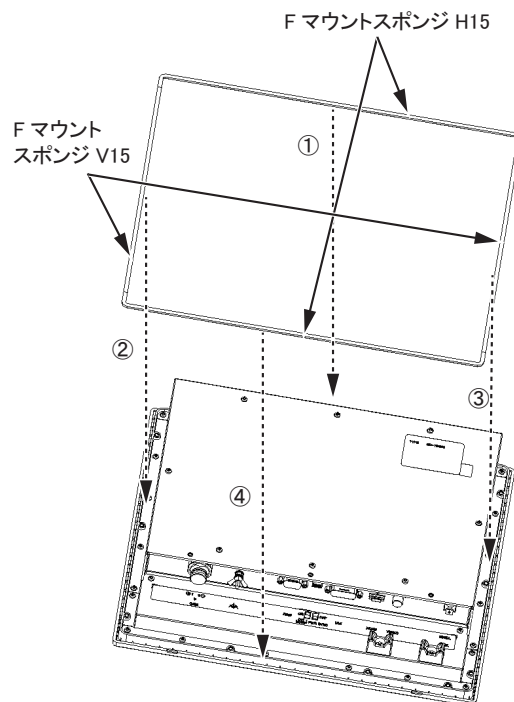
\*:ドリルの径は18mm以下でも使用可能です。

取付け穴寸法参考図

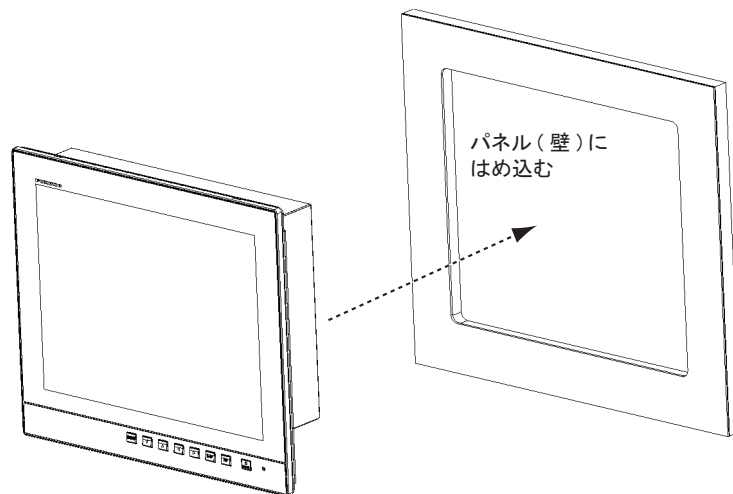
## 1章 取付けと結線

2. 表示器背面の上下つばに支給のFマウントスポンジH15、および左右つばにFマウントスポンジV15を貼り付けます。

スポンジは、下図の①～④の順に貼り付けてください。

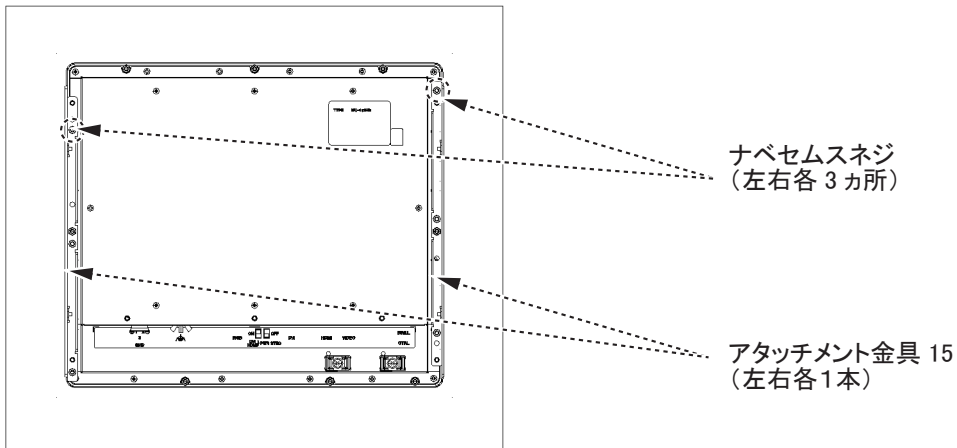


3. 1.7節の「結線」を参照して、必要なケーブルを表示器背面に接続します。
4. 取付け穴に表示器をはめ込みます。

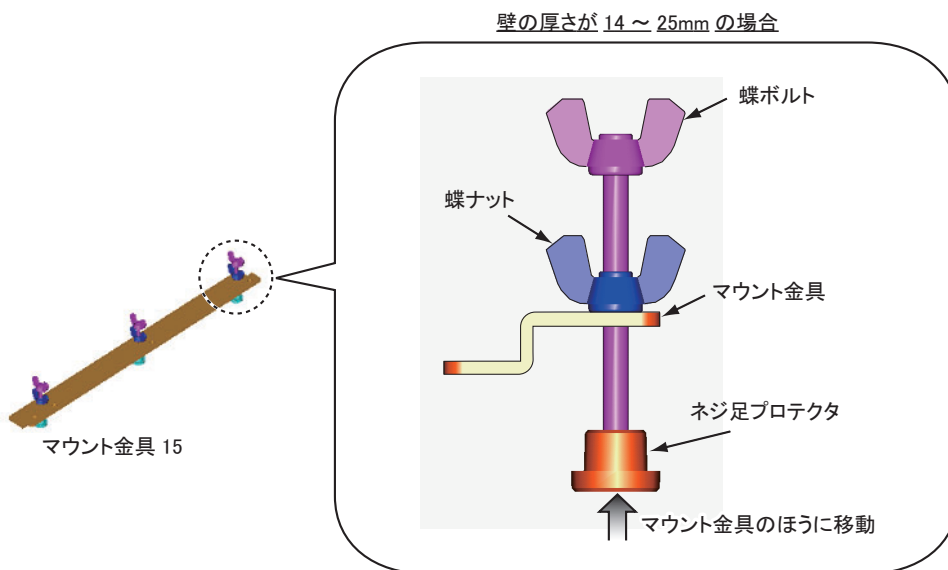
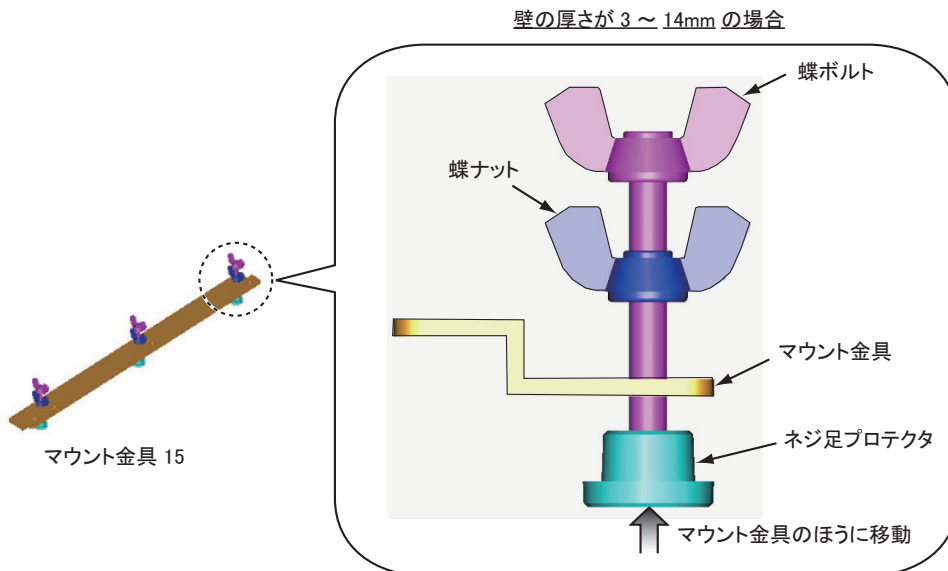




5. 表示器背面の左右に、オプションのアタッチメント金具 15 をナベセムスネジで取り付けます。

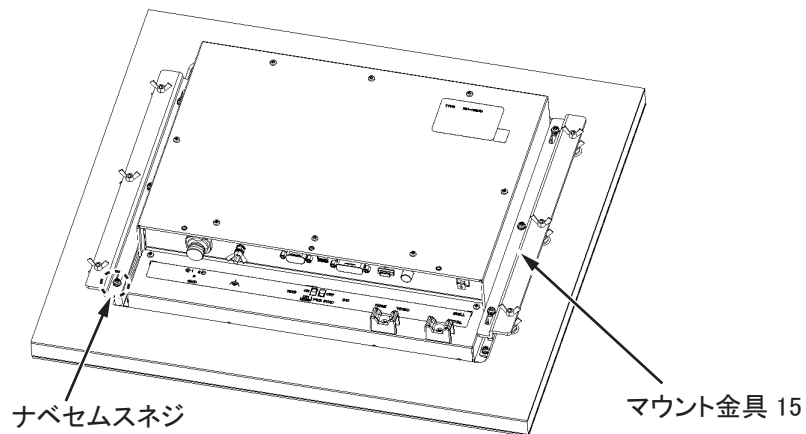


6. オプションのマウント金具 15 (2 個) の蝶ナットと蝶ボルトを回して、ネジ足プロテクタをマウント金具のほうに移動させます (下図参照)。

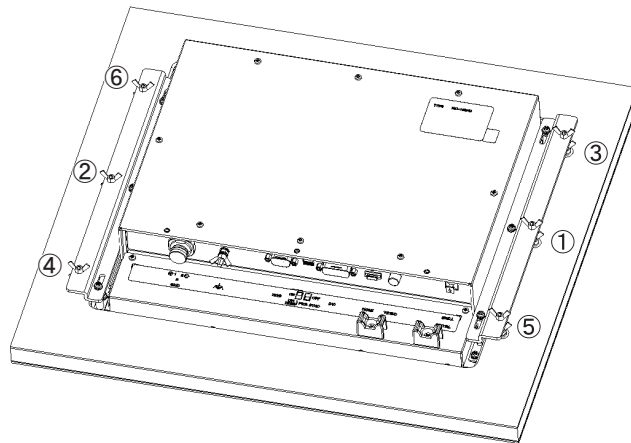


## 1章 取付けと結線

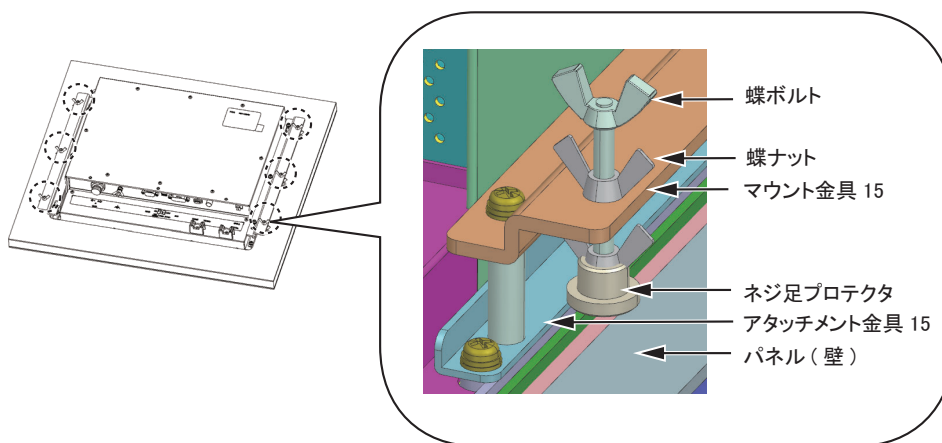
7. 表示器背面から支給のナベセムスネジ（6本）を使って、マウント金具 15 を表示器の左右に取り付けます。



8. 蝶ボルトを下図の①～⑥の順に回して、ネジ足プロテクタが壁に当たるようにします。



9. もう一度、蝶ボルトを①～⑥の順に確実に締め付けて表示器を固定します。
10. 中間の蝶ナットを締め付けます。



## 1.3 埋込み前面留め（オプション）

埋込み装備で背面留めするためのスペースがない場合には、オプションのフラッシュマウントパネル JE07002-B022（コード番号：001-634-650）を使用することで表示器前面から固定することができます。フラッシュマウントパネルキット JE07002-B020（コード番号：001-634-670）を使用して、MU-150HD からの換装を行うこともできます。

### フラッシュマウントパネル JE07002-B022（コード番号：001-634-650）内訳

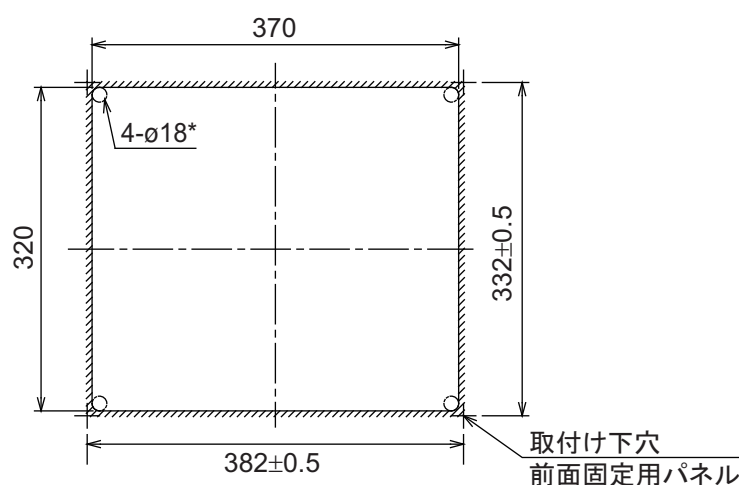
名称	型式	コード番号	数量	備考
F マウントパネル 15 組品	JE07002-Y533	000-199-706-10	1	
トラスタッピンネジ	JE82001-0015	000-199-688-10	4	
ナベセムス B	J6-SW3N4-10200	000-199-677-10	8	
F マウントスポンジ H15	JE07002-Y543	000-199-684-10	2	
F マウントスポンジ V15	JE07002-Y544	000-199-685-10	2	
フラッシュマウント型紙	C42-00909-x	000-172-636-1x	1	x：軽微な変更の 進捗

### フラッシュマウントパネルキット JE07002-B020（コード番号：001-634-670）内訳

名称	型式	コード番号	数量	備考
スペーサ	JE07002-Y580	000-199-707-10	8	
トラスタッピンネジ	JE82001-0015	000-199-688-10	4	
ナベセムス B	J6-SW3N4-10200	000-199-677-10	8	
F マウントスポンジ H15	JE07002-Y543	000-199-684-10	2	
F マウントスポンジ V15	JE07002-Y544	000-199-685-10	2	
フラッシュマウント型紙	C42-00909-x	000-172-636-1x	1	x：軽微な変更の 進捗

### フラッシュマウントパネル JE07002-B022 を使用する場合

1. キットに同梱の型紙を使って、装備場所に穴を開けます。



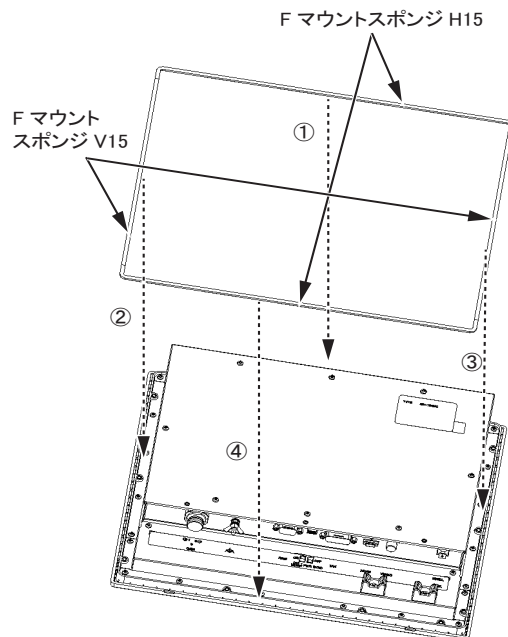
\*：キリの径は、18mm 以下でも使用可能です。

取付け穴寸法参考図

## 1章 取付けと結線

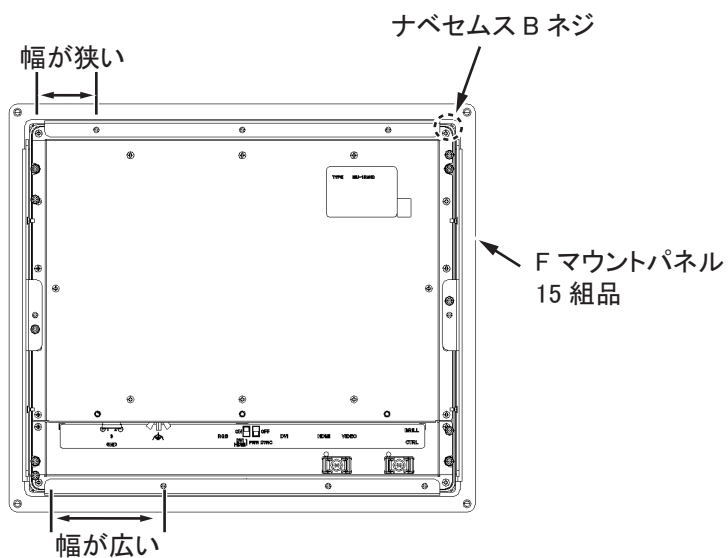
- 表示器背面の上下つばに支給の F マウントスポンジ H15、および左右つばに F マウントスポンジ V15 を貼り付けます。

スポンジは、下図の①～④の順に貼り付けてください。



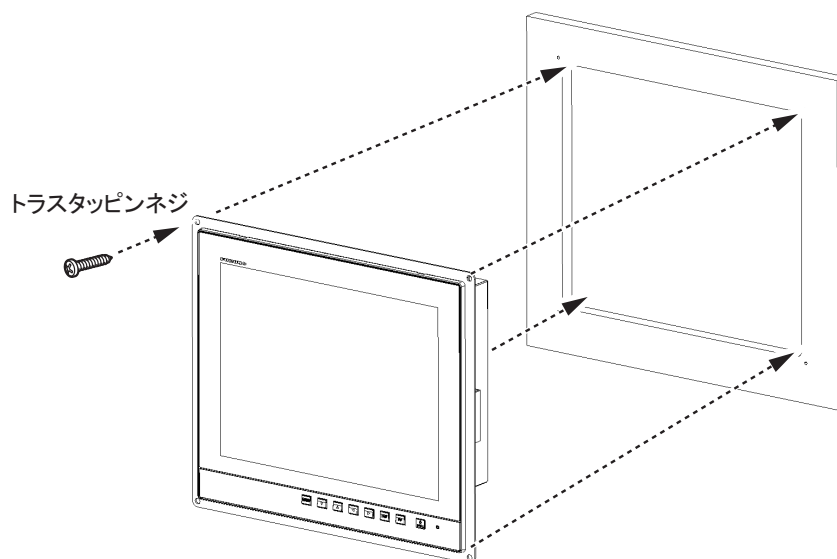
- 表示器背面からナベセムス B ネジ (M4×10、8 本) を使って、F マウントキットを取り付けます (締付けトルク : 1.2N・m)。

F マウントキットは、穴の位置に注意して取り付けてください (下図参照)。



- 1.7 節の「結線」を参照して、必要なケーブルを表示器背面に接続します。
- 手順 3 の組品を手順 1 の取付け穴にはめ込みます。

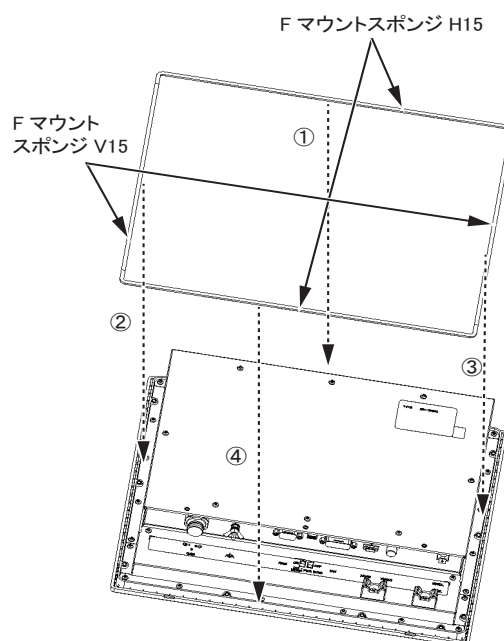
6. トラストップピンネジ (4本) を使って、表示器を固定します。



### フラッシュマウントパネルキット JE07002-B020 を使用する場合

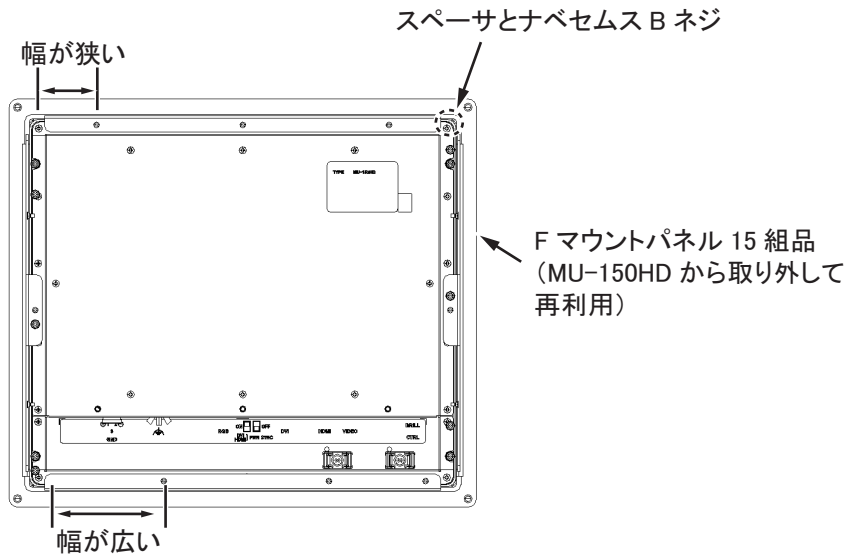
1. 表示器背面の上下つばに支給の F マウントスポンジ H15、および左右つばに F マウントスポンジ V15 を貼り付けます。

スポンジは、下図の①～④の順に貼り付けてください。

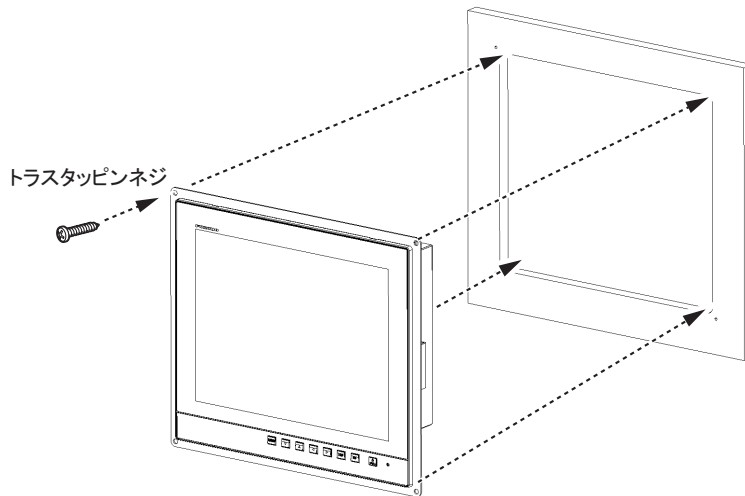


## 1章 取付けと結線

2. 表示器背面から支給のスペーサとナベセムス B ネジ (M4×10、8 本) を使って、MU-150HD から取り外した F マウントキットを取り付けます (締付けトルク : 1.2N・m)。F マウントキットは、穴の位置に注意して取り付けてください (下図参照)。



3. 1.7 節の「結線」を参照して、必要なケーブルを表示器背面に接続します。
4. 手順 3 の組品を手順 1 の取付け穴にはめ込みます。
5. トラストッピンネジ (4 本) を使って、表示器を固定します。



## 1.4 フード付き埋込み背面留め (オプション)

埋込み装備でフードを取り付けるには、オプションのフード JE07002-B005 が必要です。

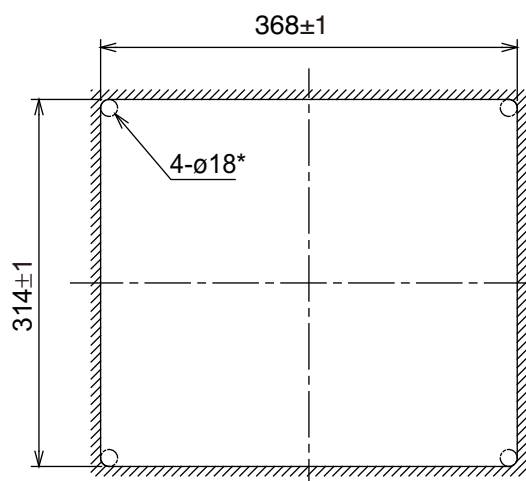
注) フードを取り付ける場合は、ハードカバーを使用することはできません。

フード JE07002-B005 (コード番号 : 001-634-630) 内訳

名称	型式	コード番号	数量
フード 15 組品	JE07002-B006	001-080-950-00	1
フード固定金具 15	JE07002-Y563	000-199-701-10	2
フード F パッキン上 15	JE07002-Y570	000-199-702-10	1

名称	型式	コード番号	数量
フードFパッキン下 15	JE07002-Y571	000-199-703-10	1
フードFパッキン横 15	JE07002-Y572	000-199-704-10	2
ローレットノブ M4	JE07002-Y562	000-199-692-10	4
サラ小ネジ	J6-SSA3-06200	000-199-693-10	6
フラッシュマウント型紙	C42-00908	000-172-635-10	1

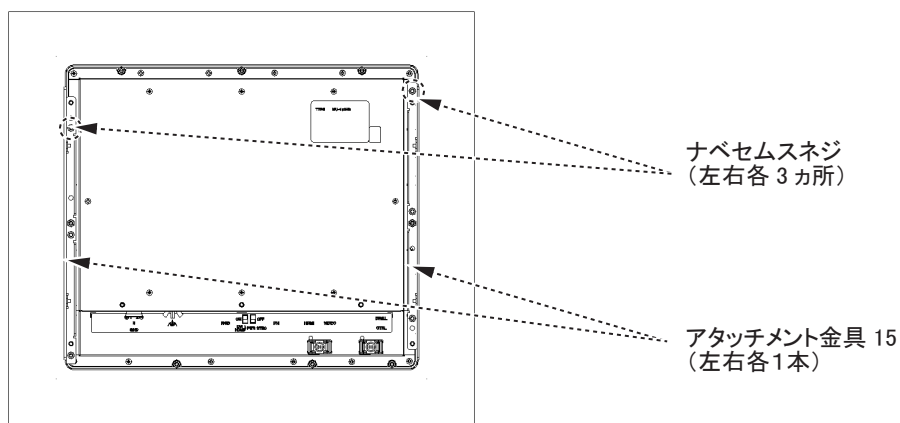
1. キットに同梱の型紙を使って、装備場所に穴を開けます。



\* : キリの径は、18mm 以下でも使用可能です。

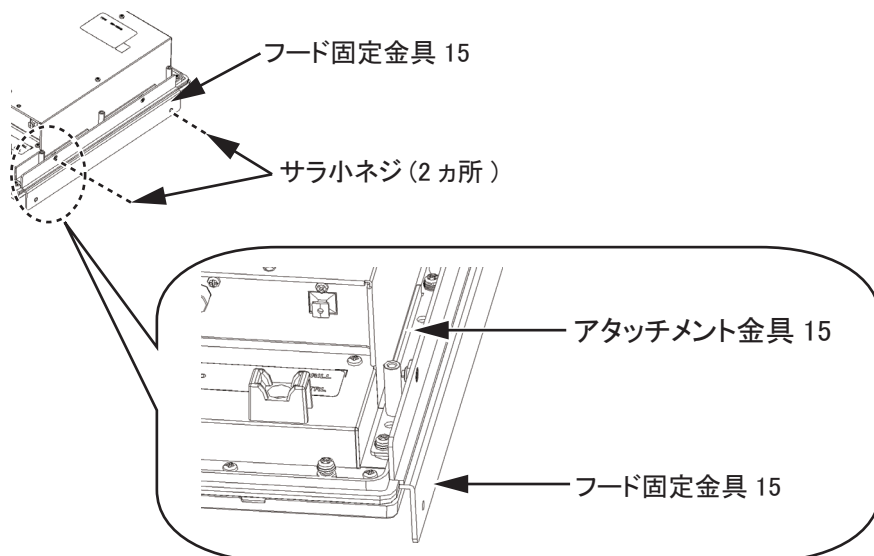
#### 取付け穴寸法参考図

2. 表示器背面の左右に、オプションのアタッチメント金具 15 をナベセムスネジで取り付けます。

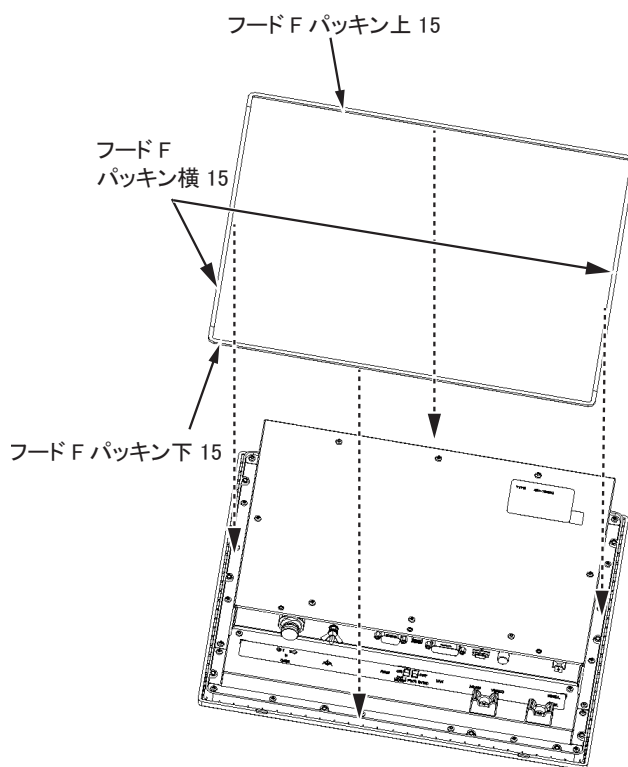


## 1章 取付けと結線

3. サラ小ネジ (M3×8、2本) を使って、フード固定金具 15 を表示器の左右に取り付けます (締付けトルク : 0.6N・m)。



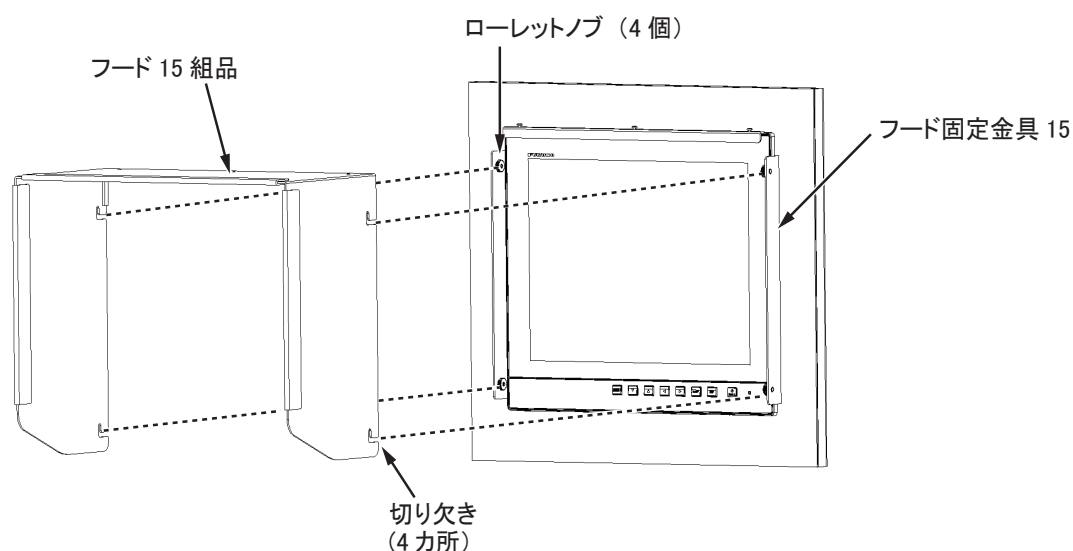
4. 表示器背面の上下つばにキットのフードFパッキン上 15、フードFパッキン下 15 を貼り付け、その後、左右つばにフードFパッキン横 15 を貼り付けます。



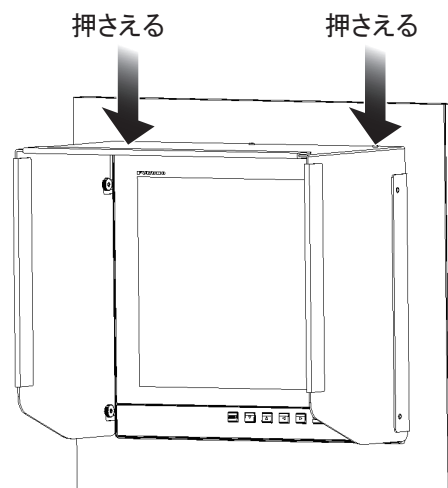
5. 1.2節の「埋込み背面留め (オプション)」の手順3～手順10に従って、表示器をパネル (壁) に固定します。
6. フード固定金具 15 にローレットノブ (4個) を緩く回してはめ込みます。



7. フード 15 組品の切り欠き部分をローレットノブとフード固定金具 15 の間に差し込みます。



8. 切り欠きとローレットノブが密着するように、フード 15 組品の上部を押さえます。



9. ローレットノブ (4 個) を締め付けて、フード 15 組品を固定します。

## 1.5 卓上取付け (オプション)

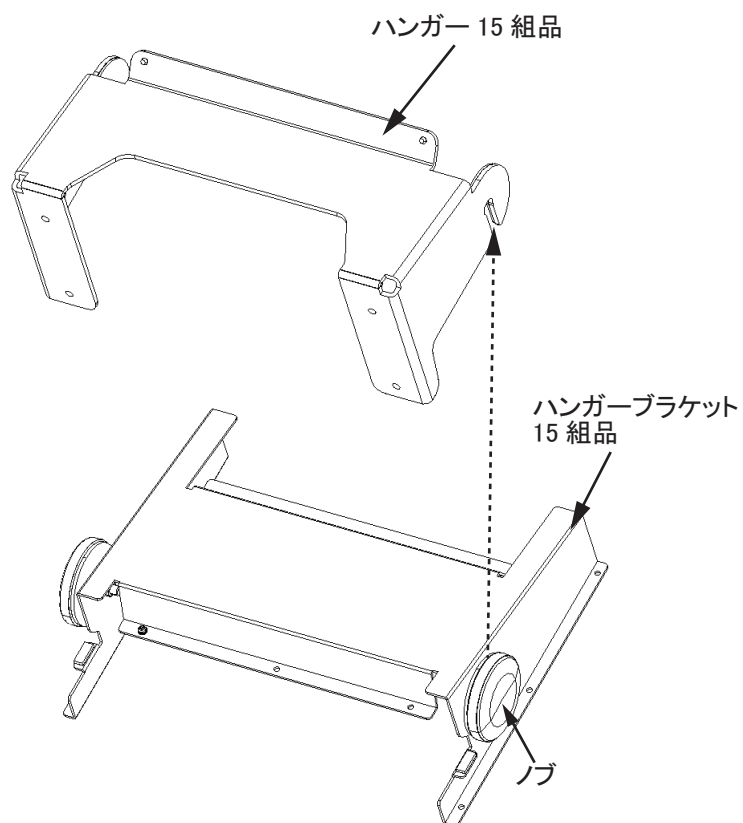
卓上に取り付けるには、オプションのハンガー JE07002-B003 が必要です。

ハンガー JE07002-B003 (コード番号 : 001-634-610) 内訳

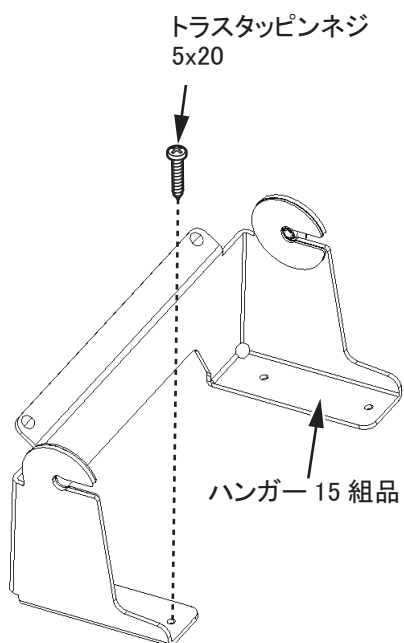
名称	型式	コード番号	数量
ハンガー 15 組品	JE07002-C511	000-199-699-10	1
ハンガーブラケット 15 組品	JE07002-C510	000-199-700-10	1
トラスタッピンネジ	JE82001-0015	000-199-688-10	4
ナベセムス B	J6-SW3N4-10200	000-199-677-10	9

## 1章 取付けと結線

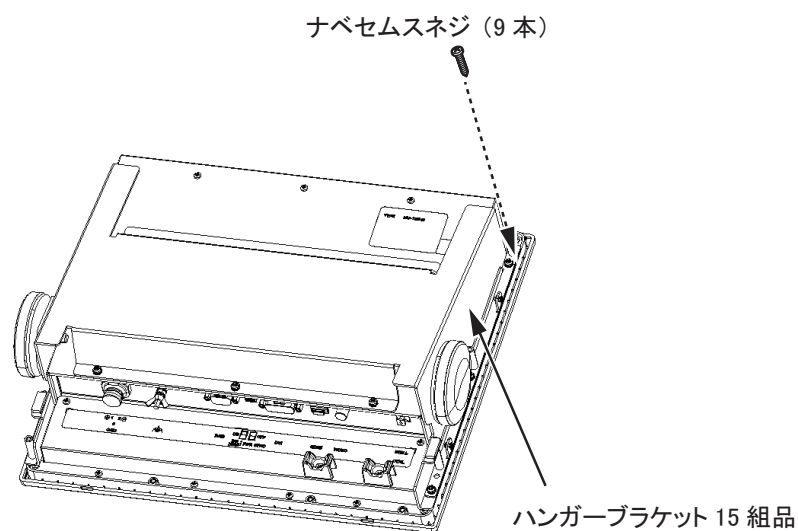
1. ハンガーブラケット 15 組品に付いているノブを緩めて、ハンガー 15 組品とハンガーブラケット 15 組品を分離します。



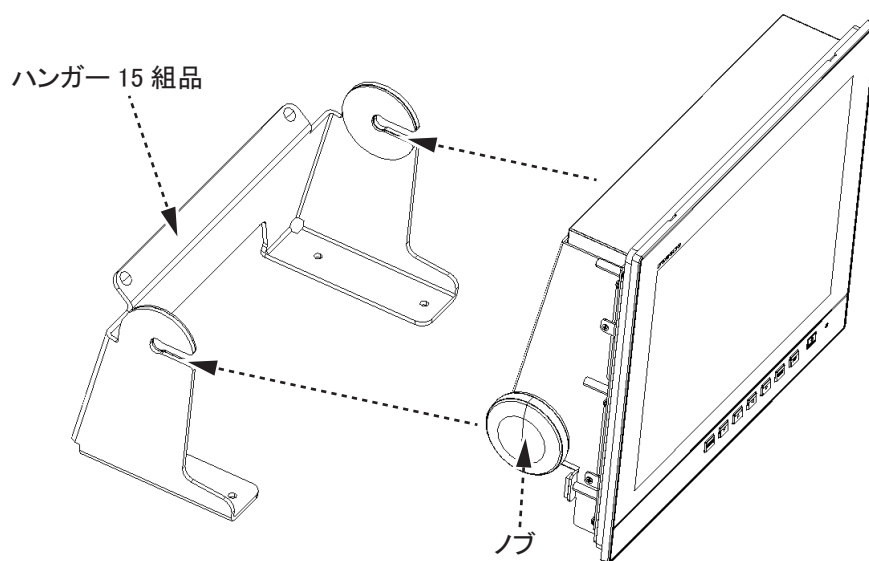
2. 表示器取付け位置にハンガー 15 組品を置き、トラスタッピンネジ (4 本) で固定します。



- ナベセムスネジ (9本) を使って、ハンガーブラケット 15 組品を表示器の背面に取り付けます (締付けトルク :  $1.2\text{N}\cdot\text{m}$ )。



- 1.7 節の「結線」を参照して、必要なケーブルを表示器背面に接続します。
- ハンガーブラケット 15 組品に付いているノブを緩めて、ハンガー 15 組品の切り欠きに入れます。

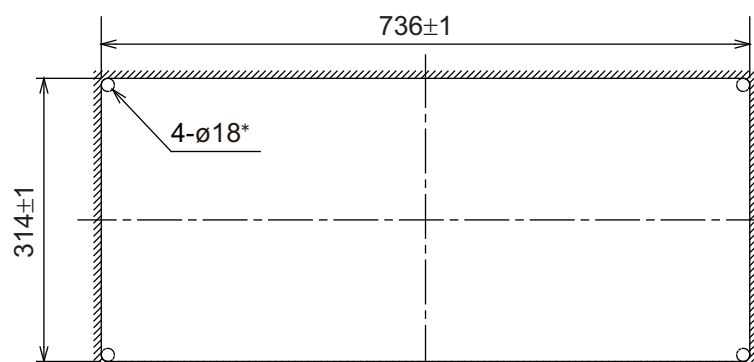


- 表示器を希望する角度に調整して、ノブを締め付けます。

## 1.6 横並び連結取付け（埋込み背面留め）

表示器を2台横並びで取り付けることができます。

1. 取付け位置に下図のような取付け穴を開けます。

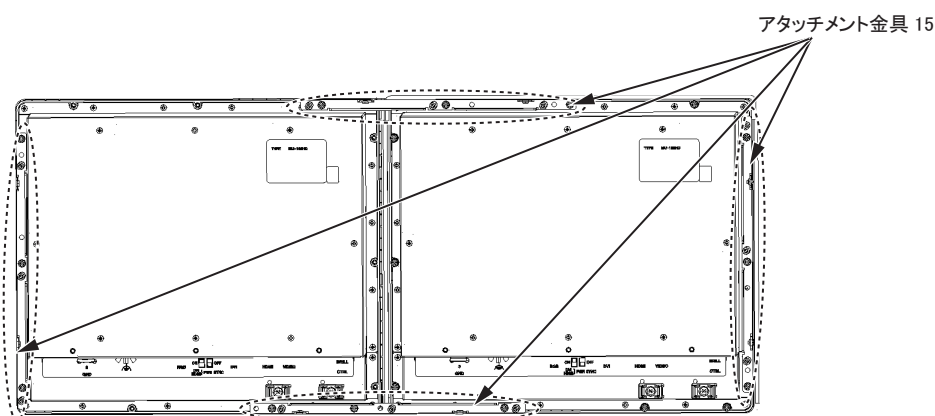


\*:ドリルの径は18mm以下でも使用可能です。

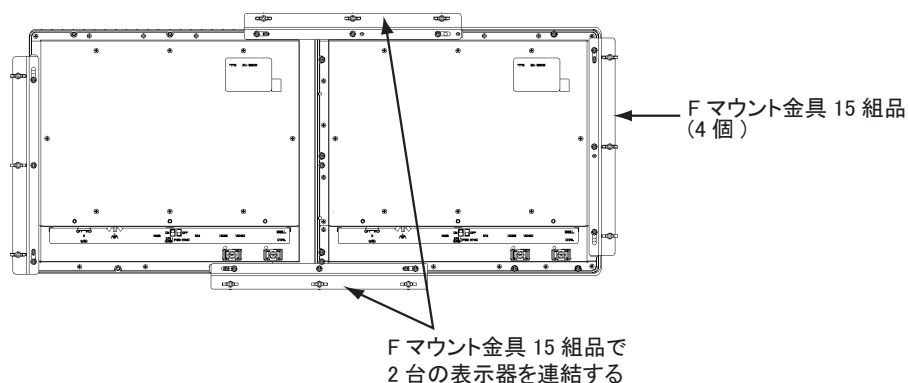
取付け穴寸法参考図

2. 1.2節の「埋込み背面留め（オプション）」の手順2～手順5に従って、表示器2台をパネル（壁）にはめ込みます。

注) オプションのアタッチメント金具 15 は、下図のとおり上下と左右に取り付けてください。



3. 表示器背面から下図の位置にFマウント金具 15組品をナベセムス B ネジで取り付けて、2台の表示器を連結します。

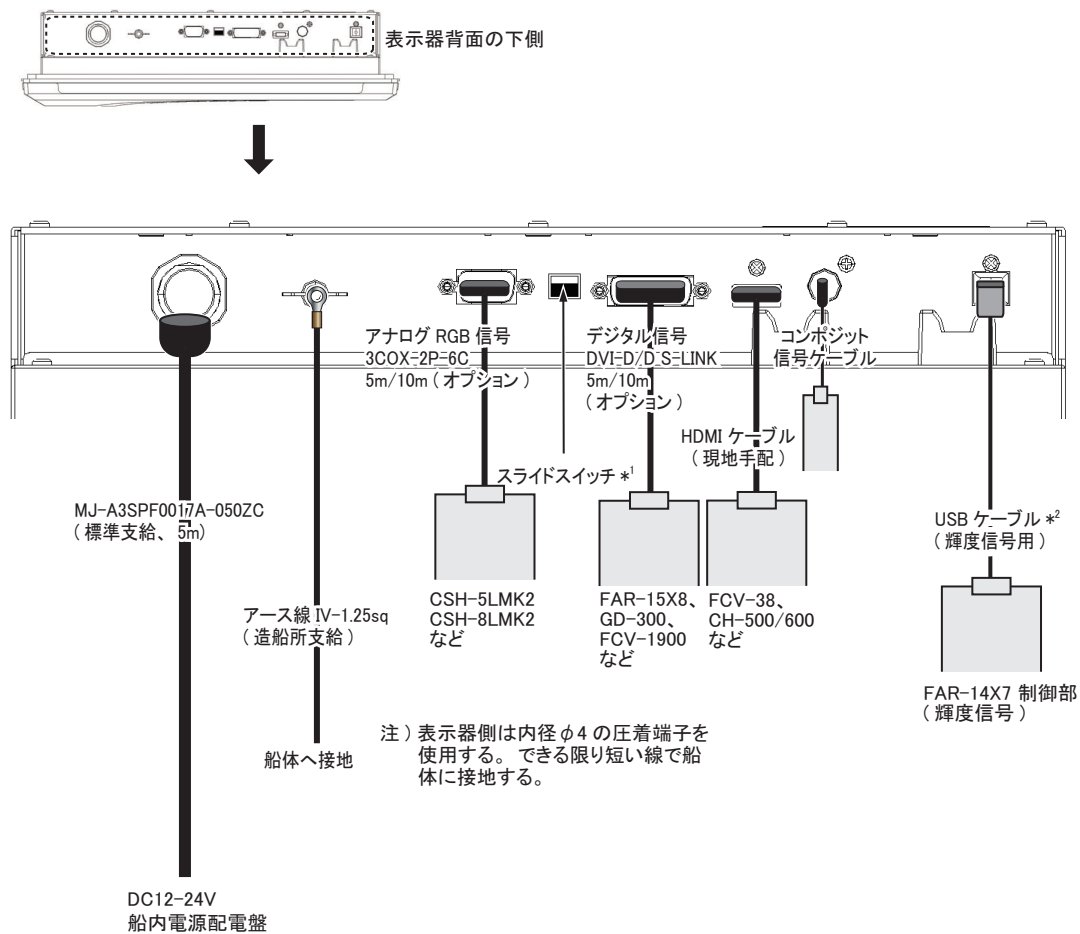


4. 1.2節の「埋込み背面留め（オプション）」の手順7～手順10を参照して、2台の表示器を固定します。

## 1.7 結線

下図および巻末の相互結線図を参照してケーブルを接続してください。

### 接続



#### \* 1: スライドスイッチ

下表を参照し、スライドスイッチの設定を行ってください。

スライドスイッチ	入力信号	主な接続機器	
ON (工場出荷時)	デジタル信号 (DVI、HDMI)	<ul style="list-style-type: none"> <li>レーダー</li> <li>プロッター</li> <li>魚群探知機</li> </ul>	<p>上側: 工場出荷時の状態 (スライドスイッチ ON)</p> <p>下側 (スライドスイッチ OFF)</p>
OFF	アナログ信号 (RGB)	<ul style="list-style-type: none"> <li>スキャニング ソナー</li> <li>潮流計</li> </ul>	

注) DVI ポート (または HDMI ポート) と RGB ポートの両方に外部機器を接続している場合は、スライドスイッチの設定を「OFF」にしてください。

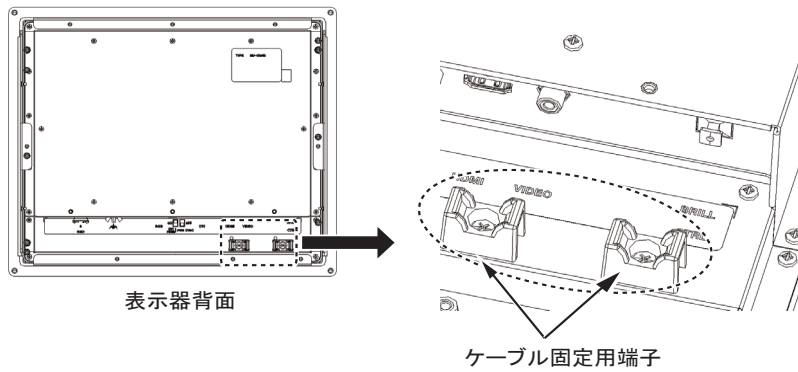
#### \* 2: USB ケーブル

BRILL CTRL ポートに貼ってあるシールをはがして接続します。

## ケーブル固定用端子

コンポジット信号ケーブル、USB ケーブルまたは HDMI ケーブルを接続した場合は、下図のようにケーブルを固定してください。振動で抜けないようにするための処置です。

1. 支給のコンベックス（結束バンド）をケーブル固定用端子の穴に通します。
2. 結束バンド内にケーブルを通して結束バンドを締め付け、ケーブルをケーブル固定用端子に固定します。
3. 不要な部分はニッパーで切断します。



## 2章 装備後の調整

本機に接続している機器に応じて、画面の各種設定を行います。

### 2.1 RGB、DVI、HDMI 画面の設定

RGB、DVI、HDMI の各ポートに接続した機器の映像を個別に調整します。各機器の電源を入れて映像を表示したあとに、次の調整を行います。

1. 入力信号ウィンドウで調整する画面を選びます（詳細は 3.4 節参照）。

- 1) [DISP] キーを押します。
- 2) もう一度 [DISP] キーを押して、[RGB]、[DVI]、[HDMI] のいずれかを選びます。

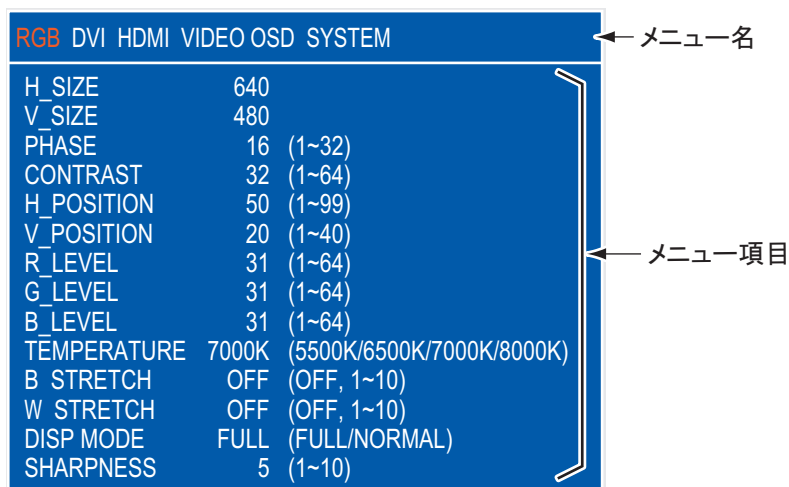
2. [MENU] キーを押して、メニューを表示します。

1 分間キー操作を行わなければ、自動的にメニューは消えます。

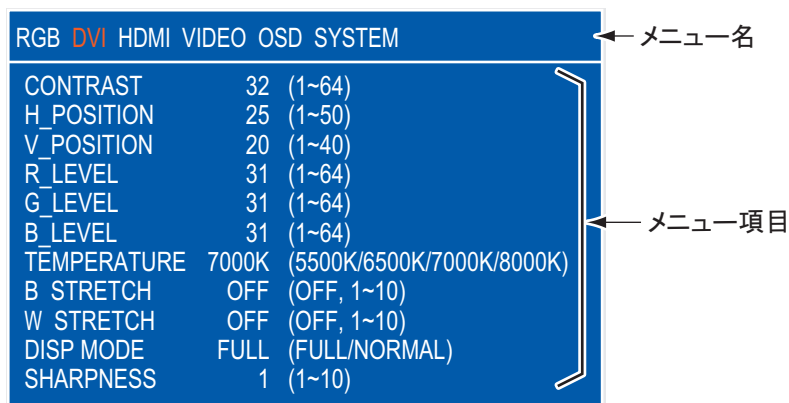
3. ◀または▶ キーを押して、[RGB]、[DVI] または [HDMI] を選びます。

カーソル（橙色）は、現在選んでいる項目を示します。選んだメニュー名に応じて、メニュー項目が変わります。

注) 入力信号がない場合、メニュー名がグレー表示になり、設定を変更できません。



[RGB] メニュー



[DVI] メニュー（[HDMI] メニューも同じ内容）

## 2章 装備後の調整

4. ▼ または ▲ キーを押して、変更するメニュー項目を選びます。
5. ◀ または ▶ キーを押して、設定内容を変更します。
6. [MENU] キーを押して、メニューを閉じます。

### RGB、DVI、HDMIメニューの説明

メニュー項目	説明	設定範囲
H_SIZE	画面の横幅を調整する。 ◀ (狭まる)、▶ (広がる)	入力信号による
V_SIZE	画面の縦幅を調整する。 ◀ (狭まる)、▶ (広がる)	
PHASE**	入力信号をサンプリングするタイミングを調整する。 数値を変更して文字等を見やすくする。	1 ~ 32
CONTRAST	コントラストを調整する。 ◀ (暗い)、▶ (明るい)	1 ~ 64
H_POSITION	画面位置を左右方向に調整する。 ◀ (左に移動)、▶ (右に移動)	1 ~ 99 (RGB) 1 ~ 50 (DVI、 HDMI)
V_POSITION	画面位置を上下方向に調整する。 ◀ (上に移動)、▶ (下に移動)	1 ~ 40
R_LEVEL	赤色のレベルを調整する。 ◀ (弱い)、▶ (強い)	1 ~ 64
G_LEVEL	緑色のレベルを調整する。 ◀ (弱い)、▶ (強い)	1 ~ 64
B_LEVEL	青色のレベルを調整する。 ◀ (弱い)、▶ (強い)	1 ~ 64
TEMPERATURE	色温度を調整する (4段階)。 [5500K] (赤色レベルが強い)、[8000K] (青色レベルが強い)	5500K、6500K、 7000K、8000K
B STRETCH	黒に近い色をより黒くする。 [OFF] (標準)、◀ (弱い)、▶ (強い)	OFF、1 ~ 10
W STRETCH	白に近い色をより白くする。 [OFF] (標準)、◀ (弱い)、▶ (強い)	OFF、1 ~ 10
DISP MODE*	入力画像の表示方法を選ぶ。 • <b>FULL</b> : 入力画像を表示器の画面に合わせて表示 • <b>NORMAL</b> : 入力画像の縦横比を保持して表示	FULL、 NORMAL
SHARPNESS**	水平方向のエッジを強調する。 ◀ (文字や線が鈍くなる)、▶ (文字や線が鋭くなる)	1 ~ 10

\*: SXGA を入力した場合、表示器 (XGA) の縦横比と異なるので、正円 (真円) が楕円に表示されます。このような場合は、[DISP MODE] の設定を [NORMAL] にしてください。ただし、画面の左右が黒く切れますが故障ではありません。

\*\* : 文字がぼやけているときは、[PHASE] と [SHARPNESS] を調整してください。



## 2.2 VIDEO 画面の設定

VIDEO ポートに接続した機器の映像を個別に調整します。VIDEO の入力信号は、ピクチャーインピクチャー (PIP) ウィンドウにも表示されます (3.5 節参照)。

1. 入力信号ウィンドウで調整する画面を選びます。
2. [MENU] キーを押して、メニューを表示します。
3. ◀または▶ キーを押して、[VIDEO] を選びます。

RGB	DVI	HDMI	VIDEO	OSD	SYSTEM
PIP_SIZE			5	(1~10)	
CONTRAST			32	(1~64)	
R_LEVEL			31	(1~64)	
G_LEVEL			31	(1~64)	
B_LEVEL			31	(1~64)	
TEMPERATURE	7000K			(5500K/6500K/7000K/8000K)	
B STRETCH			OFF	(OFF, 1~10)	
W STRETCH			OFF	(OFF, 1~10)	

[VIDEO] メニュー

4. ▼または▲ キーを押して、変更するメニュー項目を選びます。
5. ◀または▶ キーを押して、設定内容を変更します。
6. [MENU] キーを押して、メニューを閉じます。

### VIDEO メニューの説明

メニュー項目	説明	設定範囲
PIP_SIZE	PIP ウィンドウのサイズを調整する (PIP ウィンドウが表示されているとき調整可能)。	1 (47mm x 31mm) ~ 10 (235mm x 160mm)
CONTRAST	コントラストを調整する。	1 ~ 64
R_LEVEL	赤色のレベルを調整する。	1 ~ 64
G_LEVEL	緑色のレベルを調整する。	1 ~ 64
B_LEVEL	青色のレベルを調整する。	1 ~ 64
TEMPERATURE	色温度を調整する (4 段階)。	5500K、6500K、7000K、8000K
B STRETCH	黒に近い色をより黒くする。	OFF、1 ~ 10
W STRETCH	白に近い色をより白くする。	OFF、1 ~ 10

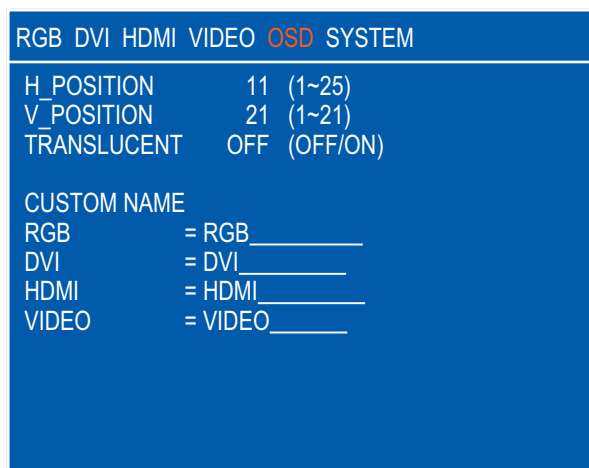
(詳細は、前ページの「RGB、DVI、HDMI メニューの説明」を参照)

## 2.3 メニュー表示の設定

### 2.3.1 メニューを調整する

メニューの表示位置や表示方法を設定します。

1. [MENU] キーを押して、メニューを表示します。
2. ◀または▶ キーを押して、[OSD] を選びます。



[OSD] メニュー

3. ▼または▲ キーを押して、変更するメニュー項目を選びます。
4. ◀または▶ キーを押して、設定内容を変更します。
5. [MENU] キーを押して、メニューを閉じます。

#### OSD メニューの説明

メニュー項目	説明	設定範囲
H_POSITION	メニューの表示位置を左右方向に調整する。 ◀ (左に移動)、▶ (右に移動)	1 ~ 25
V_POSITION	メニューの表示位置を上下方向に調整する。 ◀ (上に移動)、▶ (下に移動)	1 ~ 21
TRANSLUCENT	メニューの背景色 (青色) を透過させる。 <ul style="list-style-type: none"> <li>• <b>OFF:</b> 背景色が青色</li> <li>• <b>ON:</b> 背景色を透過</li> </ul> 注) 透過処理はアルファブレンド技術を使用しています。	OFF、ON
CUSTOM NAME	2.3.2 項参照	

## 2.3.2 信号名を変更する

「RGB」、「DVI」、「HDMI」、および「VIDEO」の入力信号名を装置の名前等、判りやすい名前に変更できます。変更した名前は、入力信号ウィンドウ、PIP 設定ウィンドウ、および画面切替え時に表示される画面名に反映されます (3.4 節、3.5 節参照)。

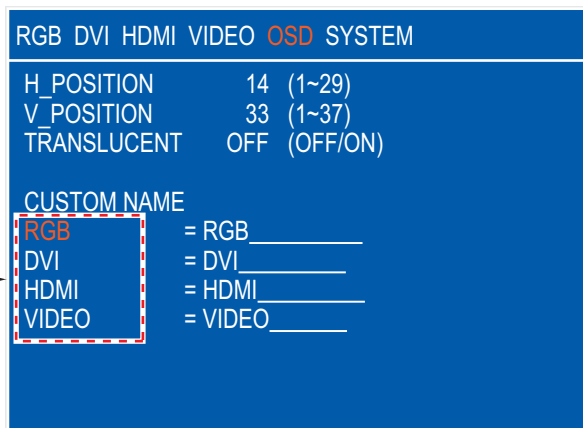
1. [MENU] キーを押して、メニューを表示します。

2. ◀または▶ キーを押して、  
[OSD] を選びます。

3. ▼または▲ キーを押して、変更する信号名を選びます。

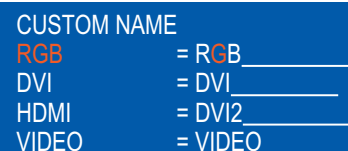
右図の例では、「RGB」が選ばれています。

信号名 →



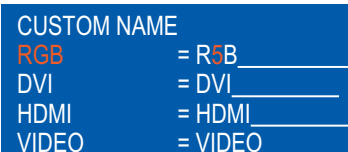
4. ▶ キーを押して、変更する文字  
を選びます。

右図の例では、「G」が選ばれています。



5. 必要な文字が表示されるまで、▼または▲ キーを押します。

右図の例では、「5」が設定されています。最大 10 文字の名前を設定できます。使用できる文字は、「A ~ Z」、「0 ~ 9」、「-」、「.」、「スペース」です。

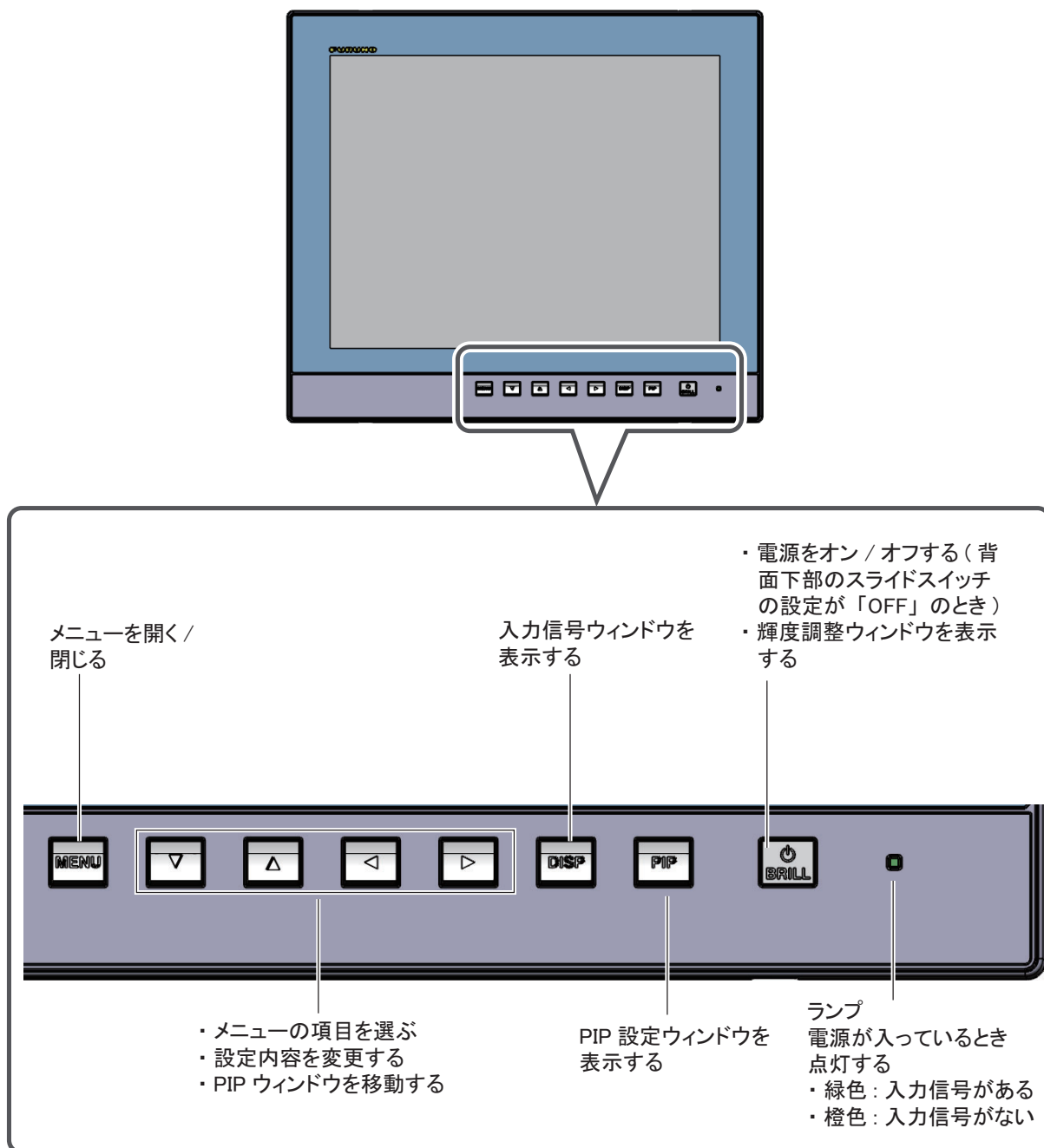


6. 続けて他の信号名を変更する場合は、◀ キーを数回押してカーソルを信号名まで戻してから、手順 3 ~ 手順 5 の操作を繰り返します。

7. [MENU] キーを押して、メニューを閉じます。

# 3章 操作

## 3.1 操作パネルの説明



## 3.2 電源のオン／オフ

ここでは、電源のオン／オフ、キーロック機能について説明します。

### 3.2.1 電源をオン／オフする

電源をオン／オフする方法は、表示器背面のスライドスイッチの設定によって異なります（装備時に設定済み：1.7 節参照）。

注 1) 電源を入れ直す場合は、電源を切ってから 3 秒以上間隔をあけてください。

注 2) 周囲の温度が低いときは、画面の動きが鈍くなります。

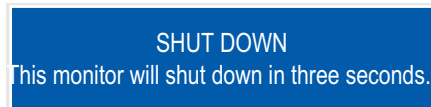
#### スライドスイッチの設定が「ON」のとき

DVI、または HDMI ポートに接続している外部機器の電源スイッチに連動して、表示器の電源がオン／オフされます（操作方法については、外部機器の取扱説明書を参照）。

注) 表示器の [⏻/BRILL] キーで電源を入れることはできません。

#### スライドスイッチの設定が「OFF」のとき

1. 表示器の [⏻/BRILL] キーを押して、電源を入れます。
2. 電源を切るときは、表示器の [⏻/BRILL] キーを 3 秒間押し続けます。  
キーを押している間、次のようなメッセージが画面中央に表示されます。



### 3.2.2 キーをロックする

表示器には、誤操作を防ぐためのキーロック機能が付いています。[⏻/BRILL] 以外のキーを無効にするには、次の操作を行ってください。

1. [PIP] キーを押しながら電源を入れます。  
[PIP] キーは 5 秒以上押し続けてください。  
注) スライドスイッチの設定が「ON」のときは、[PIP] キーを押しながら DVI、または HDMI 出力機器の電源を入れてください。
2. キーロックを解除するには、いったん電源を切ります。次に、もう一度 [PIP] キーを押しながら電源を入れます。  
[PIP] キーは 5 秒以上押し続けてください。

## 3.3 輝度の調整

画面の輝度を調整します。

1. [☺/BRILL] キーを短く押して、輝度調整ウィンドウを表示します。

5 秒間キー操作を行わなければ、自動的にウィンドウは消えます。



輝度調整ウィンドウ

2. ◀または▶ キーを押して、輝度を調整します（設定範囲：1～50、工場出荷設定：50）。

[☺/BRILL] キーを短く押すことで、調整することもできます。

注 1) 輝度を最小に設定した状態で電源を切った場合、次回電源を入れたときに周囲の明るさによって、表示が見えづらいことがあります。このような場合は、[☺/BRILL] キーを何回か押してください。

注 2) FAR-15x3/15x8 シリーズの表示器として使用する場合、FAR-21X7 シリーズの操作部から輝度の調整を行うことができます（3.6.1 項参照）。

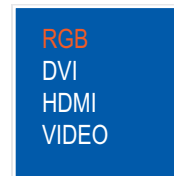
## 3.4 入力信号の選択

画面全体に表示する入力信号を選びます。

1. [DISP] キーを押して、入力信号ウィンドウを表示します。

ウィンドウ内には、2.3.2 項で設定した信号名が表示されます。

5 秒間キー操作を行わなければ、自動的にウィンドウは消えます。



入力信号ウィンドウ  
(工場出荷時の状態)

2. ▼または▲ キーを押して、入力信号を選びます。

[DISP] キーを続けて押すことで、選ぶこともできます。

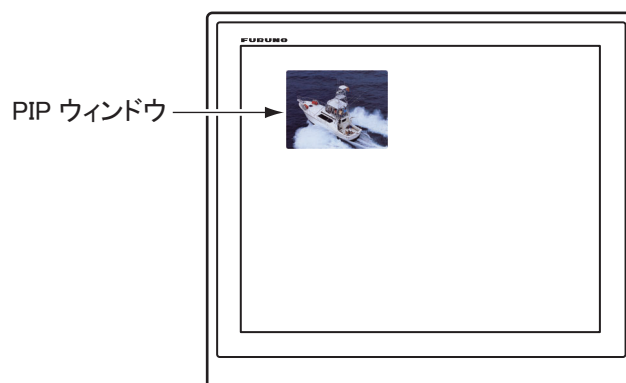
- **RGB:** RGB ポートからの入力信号を表示する。
- **DVI、HDMI:** 選んでいる DVI/HDMI ポートからの入力信号を表示する。
- **VIDEO:** VIDEO ポートからの入力信号を表示する。

3. ◀または▶ キーを押して、ウィンドウを閉じます。

ウィンドウが消えたあと、手順 2 で選んだ信号名が画面の右上に 5 秒間表示されます。入力信号がない場合は、“NO SIGNAL” と表示されます。

## 3.5 PIP ウィンドウ内の入力信号の選択

PIP ウィンドウに表示させる入力信号を選びます。PIP ウィンドウは、RGB、DVI、または HDMI 画面上に表示することができます。



1. RGB、DVI、または HDMI 画面が表示されているときに、[PIP] キーを押します。  
画面上に PIP ウィンドウが表示されます。PIP ウィンドウを非表示にするには、もう一度 [PIP] キーを押します。
2. PIP ウィンドウの表示位置を移動する場合は、メニューが表示されていないときに矢印キーを押します。

注) PIP ウィンドウのサイズは、[VIDEO] メニューで調整します (2.2 節参照)。

## 3.6 システムメニュー

輝度および初期化に関する設定は、[SYSTEM] メニューで行います。また、[SYSTEM] メニューで入力信号の情報やプログラムバージョン番号を確認できます。

### 3.6.1 外部機器から輝度を調整する

DVI ポートに FAR-15x3/15x8 シリーズを接続している場合、あるいは BRILL CTRL ポートに輝度信号対応機器を接続している場合には、そのレーダーから表示器の輝度を調整することができます。

1. [MENU] キーを押して、メニューを表示します。
2. ▶ キーを押して、[SYSTEM] を選びます。
3. ▼ または ▲ キーを押して、[EXT BRILL CTRL] を選びます。
4. ◀ または ▶ キーを押して、次のいずれかを選びます。
  - **OFF:** すべての画面の輝度を [☺/BRILL] キーで調整する。
  - **DVI:** DVI 画面を表示している場合、DVI ポートに接続している FAR-15x3/15x8 シリーズから輝度を調整する (DVI 以外の画面では [☺/BRILL] キーが有効)。
  - **USB:** BRILL CTRL ポートに接続している輝度信号対応機器から輝度を調整する (すべての画面で [☺/BRILL] キーは無効)。
5. [MENU] キーを押して、メニューを閉じます。

### 3.6.2 FISH FINDER モード

魚探映像のちらつきを調整することができます。

1. [MENU] キーを押して、メニューを表示します。
2. ▶ キーを押して、[SYSTEM] を選びます。
3. ▼ または ▲ キーを押して、[FISH FINDER MODE] を選びます。
4. ◀ または ▶ キーを押して、次のいずれかを選びます。
  - **OFF:** 画面のちらつきを調整しない。
  - **Mode1 ~ Mode5:** 画面のちらつきを調整する。
5. [MENU] キーを押して、メニューを閉じます。



### 3.6.3 設定を初期化する

この操作を行うと、お客様が設定した値が工場出荷時の状態に戻ります。

1. [MENU] キーを押して、メニューを表示します。
2. ▶ キーを押して、[SYSTEM] を選びます。
3. ▼ または ▲ キーを押して、[DEFAULT RESET] を選びます。
4. ▶ キーを押します。

表示が [NO] から [YES] に変わります。

RGB	DVI	HDMI	VIDEO	OSD	SYSTEM
EXT BRILL CTRL	OFF	(OFF / DVI / USB)			
FISH FINDER MODE	OFF	(OFF, Mode1 ~ 5)			
DEFAULT RESET	NO				
INFORMATION					
RGB	: 1280*1024	Fh : 80kHz	Fv : 75Hz		
DVI	: 640*480	Fh : 31kHz	Fv : 60Hz		
HDMI	: NO SIGNAL				
VIDEO	: NTSC				
MODEL TYPE	: MU-152HD				
PROGRAM NO.	: X.XX				
ELAPSED TIME	: 100000 hour				

注) 初期化を中止する場合は、◀ キーを押してください。表示が [YES] から [NO] に変わります。

5. ▶ キーを押して、[reset] を選びます。

## 4 章 保守点検およびトラブルシューティング

### ご 注 意

塗料、防錆剤、接点復活剤などは有機溶剤を含んでいるので、機器の塗装部分や樹脂部品には使用しないでください。

機器の塗装部分や樹脂部品を劣化させることがあります。特に、樹脂のコネクタに使用すると破損する恐れがありますので絶対に使用しないでください。

### 4.1 保守点検

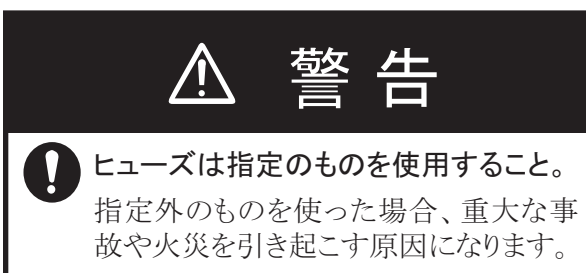
#### ふだんの保守点検

機器の性能を十分に発揮させるには、定期的な点検が必要です。定期的に次の項目を点検してください。

- 表示器背面のコネクタが確実に接続されているか確認します。
- アース端子に緩みや錆びがないか確認します。またアース線が確実に接地されているか確認します。
- 表示器にほこりや汚れがついていないか確認します。ほこりや汚れは、柔らかい乾いた布でふき取ってください。ひどい汚れは薄めた中性洗剤をしみ込ませた布でふいたあと、柔らかい布で空ぶきしてください。シンナーやアセトン、アルコール、ベンジンなどの有機溶剤を使用しないでください。操作パネルの文字などが溶ける場合があります。
- LCD の表面にほこりや汚れがついていないか確認します。LCD の表面は傷が付きやすいので、必ず支給のフィルタークリーナーでふいてください。泥や塩などがこびり付いている場合は、市販の OA ディスプレイクリーナーをティッシュに多めに染み込ませて、泥や塩を溶かすようにゆっくりとふきます。泥や塩が付着したティッシュでふくと表面を傷付けますので、こまめにティッシュを取り替えながらふいてください。シンナーやアセトン、アルコール、ベンジンなどの有機溶剤は使用しないでください。また、市販の油膜取り、曇り止めも使用しないでください。画面（フィルター面）のコーティング剤が剥がれてしまいます。

## ヒューズの交換

電源が入らない場合、ヒューズが切れている可能性があります。ヒューズは電源ケーブル内にあります。指定のヒューズと交換してください。ヒューズを交換しても再び切れるときは、当社または当社代理店に連絡してください。



名称	型式	コード番号
ヒューズ	FGBO-A 125V 5A PBF	000-199-681-10

## LCD 交換の目安

LCD の寿命時間は、約 40,000 時間です。実際の使用時間は、周囲の環境（温度、湿度）により変動します。寿命が近づくと、輝度が低くなります。

## ファン交換の目安

ファンの寿命時間は、約 90,000 時間です。実際の使用時間は、周囲の環境（温度）により変動します。寿命が近づくと、“REPLACE FAN” というメッセージが表示されます。電源を切り、当社または当社代理店にファンの交換を依頼してください。

## 4.2 故障かなと思ったら

「故障かな」と思ったら、まず次の点検を行ってください。また、サービスマンを呼ぶときには、点検した事柄を詳しく報告していただくと、サービスが迅速になります。

症状	対処
電源が入らない。	<ul style="list-style-type: none"> <li>スライドスイッチの設定を確認する（1.7 節参照）。</li> <li>テスターでバッテリーの電圧を確認する。</li> <li>電源ケーブル内のヒューズを交換する。</li> <li>電源ケーブルを確実に接続する。</li> </ul>
電源が切れない。	<ul style="list-style-type: none"> <li>[/BRILL] キーを 8 秒間押し続ける。</li> <li>スライドスイッチの設定が「ON」のときは、DVI 出力機器の電源スイッチをオフにする。</li> </ul>
映像が表示されない。	<ul style="list-style-type: none"> <li>ケーブルを確実に接続する。</li> <li>[SYSTEM] メニューで入力信号の情報を確認する（3.6 節参照）。</li> </ul>
[/BRILL] 以外のキーを押してもメニューやウィンドウが現れない。	キーロック機能を解除する（3.2.2 項参照）。

# 追補 1 略語

	略語	意味
A	APR	Application Program : アプリケーションプログラム
	AUTO	Automatic : 自動
B	B	Black : 黒
	BRILL	Brilliance : 輝度
C	CCD	Charge-Coupled Device : 撮像素子
	CH	FURUNO 製サーチライトソナーの型式
	CI	FURUNO 製カラー潮流計の型式
	CSH	FURUNO 製カラスキャニングソナーの型式
	CTRL	Control : 制御
D	DISP	Display : 画面
	DVD	Digital Versatile Disc : データ記録メディア
	DVI	Digital Visual Interface : 液晶ディスプレイ用インターフェイス (デジタル信号)
E	EXT	External : 外部
F	FAR	FURUNO 製レーダーの型式
	FCV	FURUNO 製魚群探知機の型式
	Fh	Horizontal Frequency : 水平周波数
	FSV	FURUNO 製カラスキャニングソナーの型式
	Fv	Vertical Frequency : 垂直周波数
G	GD	FURUNO 製カラービデオプロッタの型式
H	H	Horizontal : 水平
L	LCD	Liquid Crystal Display : 液晶ディスプレイ
	LED	Light-Emitting Diode : 発光ダイオード
N	NO.	Number : 番号
	NTSC	National Television System Committee : 全米テレビジョン放送方式標準化委員会が策定したカラーコンポジット信号の規格
O	OSD	On-Screen Display : オンスクリーンディスプレイ
P	PAL	Phase Alternating Line : カラーコンポジット映像信号の規格
	PC	Personal Computer : パソコン
	PIP	Picture-in-Picture : ピクチャーインピクチャー
R	RGB	Red/Green/Blue : 赤 / 緑 / 青
S	SW	Switch : 切替え
	SXGA	Super Extended Graphics Array (1280×1024) : スーパー・エクステンディッド・グラフィックス・アレイ
U	USB	Universal Serial Bus : ユニバーサルシリアルバス
V	V	Vertical : 垂直
	VGA	Video Graphics Array (640×480) : ビデオ・グラフィックス・アレイ
W	W	White : 白
X	XGA	Extended Graphics Array (1024×768) : エクステンディッド・グラフィックス・アレイ

## 測位単位

略語	意味	略語	意味	略語	意味
A	Ampere(s) : アンペア	m	Meter(s) : メートル	mm	Millimeter(s) : ミリメートル
Hz	Hertz(es) : ヘルツ	V	Volt(s) : ボルト	kHz	Kilohertz(es) : キロヘルツ
K	Kelvin : ケルビン				

**カラーLCD 表示器 MU-152HD 仕様****1. 総合**

- |                   |   |
|-------------------|---|
| (1) 表示器           | 15 型カラーLCD、304.1×228.1 mm                         |
| (2) 解像度           | 1024×768 (XGA)                                    |
| (3) ピクセルピッチ       | 0.297 mm (H/V とも)                                 |
| (4) 輝度            | 1,000 cd/m <sup>2</sup>                           |
| (5) 視野角           | 160° (上下左右 80° 以上)                                |
| (6) 公称視認距離        | 1.02 m  |
| (7) インターフェイス (入力) |   |
| アナログ RGB          | 1 ポート、ノンインタレース、RGB : 0.7 V <sub>p-p</sub> 、TTL 同期 |
| DVI-D             | 1 ポート、DVI 規格準拠、VESA DDC2B                         |
| HDMI              | 1 ポート、DVI 規格準拠、VESA DDC2B                         |
| コンポジット            | 1 ポート、NTSC/PAL 規格準拠、ビデオ : 0.7 V <sub>p-p</sub>    |
| USB (外部調光用)       | 1 ポート、USB1.1、12Mbps                               |

**2. 電源**

DC12-24 V (10.8-31.2 V) : 2.5-1.3 A

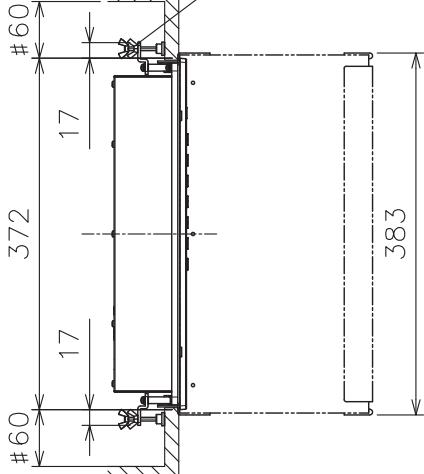
**3. 環境条件**

- |            |                        |
|------------|------------------------|
| (1) 使用温度範囲 | -15°C～+55°C            |
| (2) 相対湿度   | 93%以下 (+40°C)          |
| (3) 保護等級   | IP56 (前面パネル)、IP22 (背面) |
| (4) 振動     | IEC60945 Ed.4          |

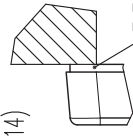
**4. ユニットカラー**

N1.0





後留用金具  
FITURE  
(3≦T<14)



後留用金具  
FITURE  
(14≦T≦25)

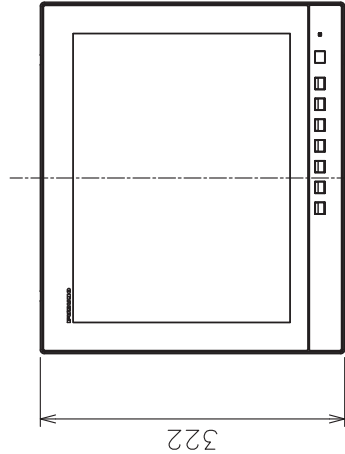
フラッシュマウント用スポンジ  
FLUSH MOUNT SPONGE  
A部 詳細 (尺度: 1/1)

DETAIL FOR A (SCALE: 1/1)

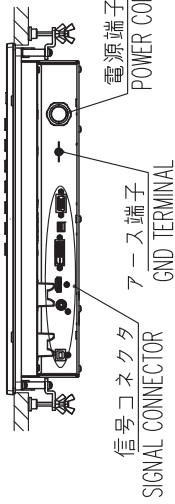
197±5 76.5 #50

B±1 A

(T)



フード (オプション)  
HOOD (OPTION)



信号コネクタ  
SIGNAL CONNECTOR

7-ース端子  
7-PIN TERMINAL

電源端子  
POWER CONNECTOR

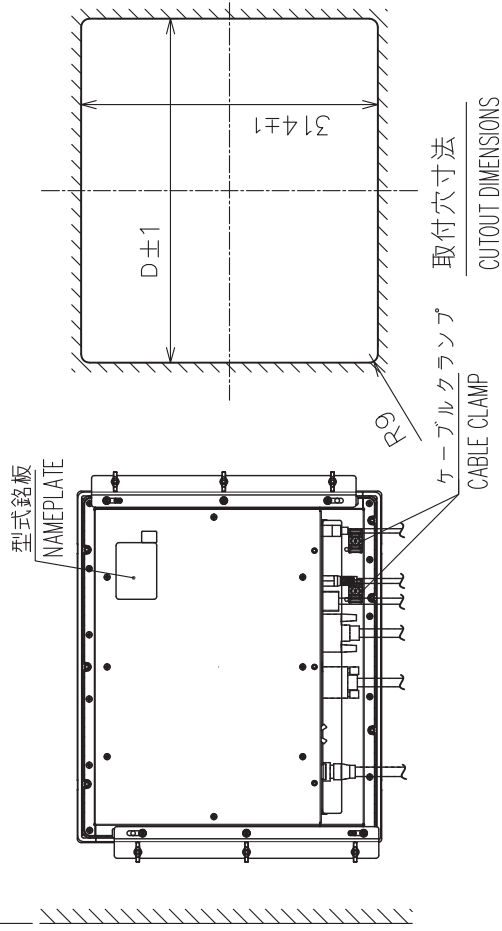
表2 TABLE 2

フード HOOD	B (mm)	D (mm)
なし NO	8	364
あり YES	10	368

表1 TABLE 1

寸法区分 (mm) DIMENSION	公差 (mm) TOLERANCE
L≦50	±1.5
50<L≦100	±2.5
100<L≦500	±3

型式銘板  
NAMEPLATE



ケーブルクランプ  
CABLE CLAMP

取付穴寸法  
CUTOUT DIMENSIONS

NOTE

- TABLE 1 INDICATES TOLERANCE OF DIMENSIONS WHICH IS NOT SPECIFIED.
- #: MINIMUM SERVICE CLEARANCE.
- BULKHEAD THICKNESS (T) : 3 ≦ T ≦ 25.
- SEE THE TABLE 2 FOR DIMENSIONS B AND D.

注 記

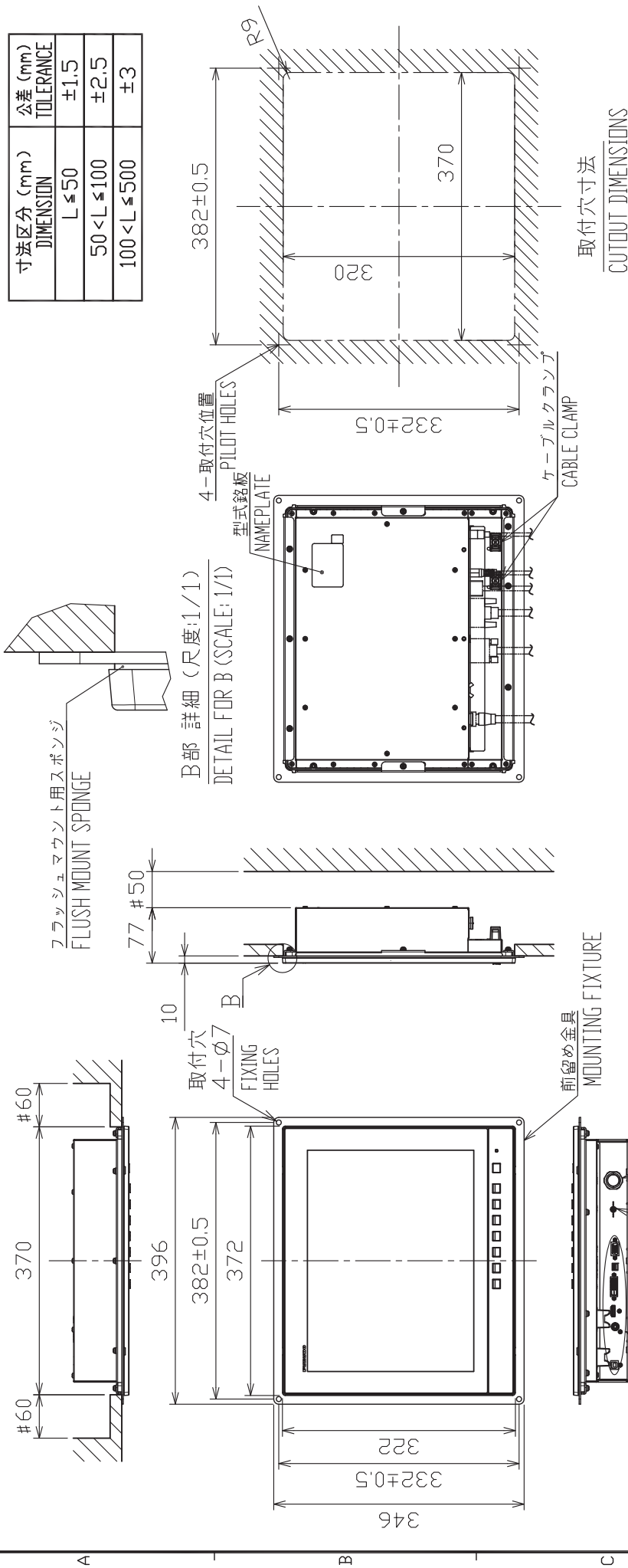
- 指定外の寸法公差は表1による。
- #印寸法は最小サービス空間寸法とする。
- 壁の厚さ (T) は最小3、最大25とする。
- B, Dの各寸法は表2による。

DRAWN	28/Oct/2022	T.YAMASAKI	TITLE	MU-15ZHD
CHECKED	28/Oct/2022	H.MAKI	名称	カラーLCD表示器 (埋込装備 S)
APPROVED	11/Nov/2022	H.MAKI	外寸図	
SCALE	1/8	質量 4.8 kg	NAME	MARINE DISPLAY (FLUSH MOUNT S)
DWG.No.	C4520-G01-A	質量はケーブルル・オプションを含まず。 MASS DOES NOT INCLUDE CABLE, OPTIONS.	REF.No.	OUTLINE DRAWING
				26-011-100G-3



表 1 TABLE 1

寸法区分 (mm) DIMENSION	公差 (mm) TOLERANCE
L ≤ 50	±1.5
50 < L ≤ 100	±2.5
100 < L ≤ 500	±3



注 記

- 1) 指定外の寸法公差は表 1 による。
- 2) # 印寸法は最小サービスクリアランスとする。
- 3) 取付はトラスタップピンネジ呼び径5×20を使用のこと。
- 4) オプションのフード装着は不可。

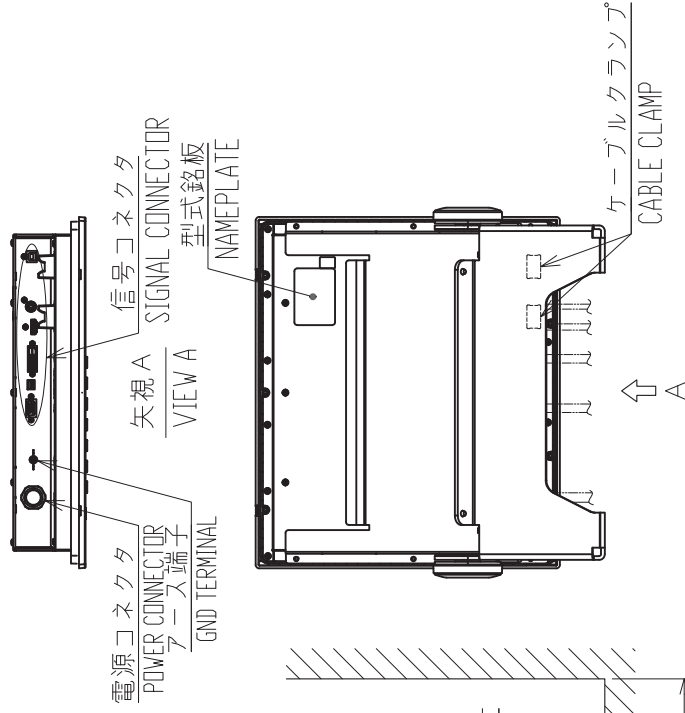
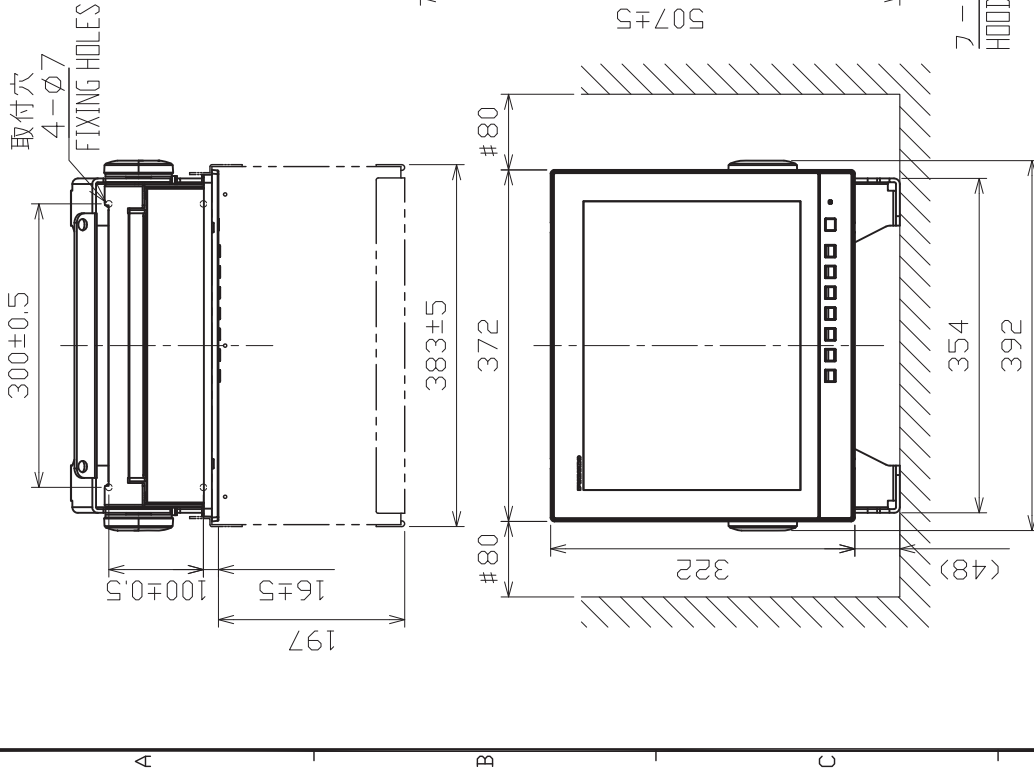
NOTE

1. TABLE 1 INDICATES TOLERANCE OF DIMENSIONS WHICH IS NOT SPECIFIED.
2. # MINIMUM SERVICE CLEARANCE.
3. USE TAPPING SCREWS Ø5x20 FOR FIXING THE UNIT.
4. OPTIONAL HOOD IS NOT AVAILABLE.

DRAWN	28/Oct/2022 I.YAMASAKI	TITLE	MU-152HD
CHECKED	28/Oct/2022 H.MAKI	名称	カラーLCD表示器 (埋込装備F)
APPROVED	11/Nov/2022 H.MAKI	外寸図	
SCALE	1/8 MASS 4.5 ±0% 質量はケーブルを含みません。 MASS DOES NOT INCLUDE CABLE.	NAME	MARINE DISPLAY (FLUSH MOUNT F)
DWG.No.	C4520-G03-A	REF.No.	26-011-120G-2
			OUTLINE DRAWING

表 1 TABLE 1

寸法区分 (mm) DIMENSION	公差 (mm) TOLERANCE
L ≤ 50	±1.5
50 < L ≤ 100	±2.5
100 < L ≤ 500	±3



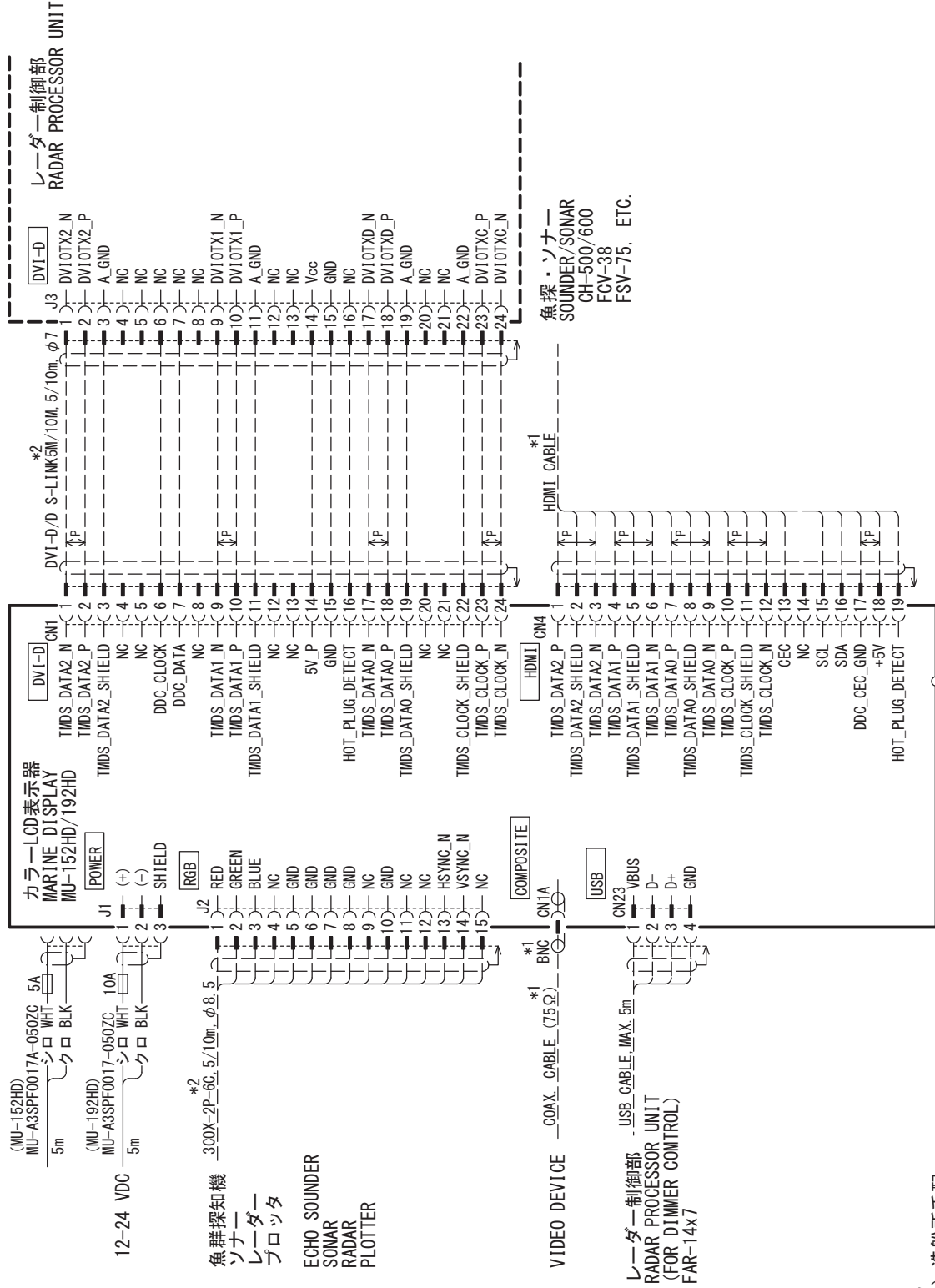
注 記

- 1) 指定外の寸法公差は表 1 による。
- 2) # 印寸法は最小サービスイタリ寸法とする。
- 3) 取付用ネジはトラスタツピンネジ呼び径 5 × 2.0 を使用のこと。

NOTE

1. TABLE 1 INDICATES TOLERANCE OF DIMENSIONS WHICH IS NOT SPECIFIED.
2. # MINIMUM SERVICE CLEARANCE.
3. USE TAPPING SCREWS  $\phi 5 \times 2.0$  FOR FIXING THE UNIT.

DRAWN	24/Jan/2023	I.YAMASAKI	TITLE	MU-152HD
CHECKED	24/Jan/2023	H.MAKI	名称	カラーLCD表示器 (卓上装備)
APPROVED	25/Jan/2023	H.MAKI	外寸図	
SCALE	1/8	質量 6.9 ±0.07 kg	NAME	MARINE DISPLAY (TABLETOP MOUNT)
DWG.No.	C4520-002-B	質量はケーブル・オプションを含みません。 MASS DOES NOT INCLUDE CABLE, OPTIONS.	REF.No.	26-011-1105-2
				OUTLINE DRAWING



DRAWN	28/Oct/2022 T. YAMASAKI	TITLE	MU-152HD/192HD
CHECKED	28/Oct/2022 H. MAKI	名称	カラーLCD表示器
APPROVED	11/Nov/2022 H. MAKI	相互結線図	
SCALE	1/MASS kg	NAME	MARINE DISPLAY
DWG No.	C4521-C01-A	REF. No.	INTERCONNECTION DIAGRAM

注記  
 \* 1) 造船所手配。  
 \* 2) オプション。

NOTE  
 \* 1: SHIPYARD SUPPLY.  
 \* 2: OPTION.

# FURUNO Worldwide Warranty for Pleasure Boats (Except North America)

This warranty is valid for products manufactured by Furuno Electric Co. (hereafter FURUNO) and installed on a pleasure boat. Any web based purchases that are imported into other countries by anyone other than a FURUNO certified dealer may not comply with local standards. FURUNO strongly recommends against importing these products from international websites as the imported product may not work correctly and may interfere with other electronic devices. The imported product may also be in breach of the local laws and mandated technical requirements. Products imported into other countries as described previously shall not be eligible for local warranty service.

For products purchased outside of your country please contact the national distributor of Furuno products in the country where purchased.

This warranty is in addition to the customer's statutory legal rights.

## 1. Terms and Conditions of Warranty

FURUNO guarantees that each new FURUNO product is the result of quality materials and workmanship. The warranty is valid for a period of 2 years (24 months) from the date of the invoice, or the date of commissioning of the product by the installing certified dealer.

## 2. FURUNO Standard Warranty

The FURUNO standard warranty covers spare parts and labour costs associated with a warranty claim, provided that the product is returned to a FURUNO national distributor by prepaid carrier.

The FURUNO standard warranty includes:

- Repair at a FURUNO national distributor
- All spare parts for the repair
- Cost for economical shipment to customer

## 3. FURUNO Onboard Warranty

If the product was installed/commissioned and registered by a certified FURUNO dealer, the customer has the right to the onboard warranty.

The FURUNO onboard warranty includes

- Free shipping of the necessary parts
- Labour: Normal working hours only
- Travel time: Up to a maximum of two (2) hours
- Travel distance: Up to a maximum of one hundred and sixty (160) KM by car for the complete journey

## 4. Warranty Registration

For the Standard Warranty - presentation of product with serial number (8 digits serial number, 1234-5678) is sufficient. Otherwise, the invoice with serial number, name and stamp of the dealer and date of purchase is shown.

For the Onboard Warranty your FURUNO certified dealer will take care of all registrations.

## 5. Warranty Claims

For the Standard Warranty - simply send the defective product together with the invoice to a FURUNO national distributor. For the Onboard Warranty – contact a FURUNO national distributor or a certified dealer. Give the product's serial number and describe the problem as accurately as possible.

Warranty repairs carried out by companies/persons other than a FURUNO national distributor or a certified dealer is not covered by this warranty.

## 6. Warranty Limitations

When a claim is made, FURUNO has a right to choose whether to repair the product or replace it.

The FURUNO warranty is only valid if the product was correctly installed and used. Therefore, it is necessary for the customer to comply with the instructions in the handbook. Problems which result from not complying with the instruction manual are not covered by the warranty.

FURUNO is not liable for any damage caused to the vessel by using a FURUNO product.

The following are excluded from this warranty:

- a. Second-hand product
- b. Underwater unit such as transducer and hull unit
- c. Routine maintenance, alignment and calibration services.
- d. Replacement of consumable parts such as fuses, lamps, recording papers, drive belts, cables, protective covers and batteries.
- e. Magnetron and MIC with more than 1000 transmitting hours or older than 12 months, whichever comes first.
- f. Costs associated with the replacement of a transducer (e.g. Crane, docking or diver etc.).
- g. Sea trial, test and evaluation or other demonstrations.
- h. Products repaired or altered by anyone other than the FURUNO national distributor or an authorized dealer.
- i. Products on which the serial number is altered, defaced or removed.
- j. Problems resulting from an accident, negligence, misuse, improper installation, vandalism or water penetration.
- k. Damage resulting from a force majeure or other natural catastrophe or calamity.
- l. Damage from shipping or transit.
- m. Software updates, except when deemed necessary and warrantable by FURUNO.
- n. Overtime, extra labour outside of normal hours such as weekend/holiday, and travel costs above the 160 KM allowance
- o. Operator familiarization and orientation.

FURUNO Electric Company, March 1, 2011

## FURUNO Warranty for North America

FURUNO U.S.A., Limited Warranty provides a twenty-four (24) months LABOR and twenty-four (24) months PARTS warranty on products from the date of installation or purchase by the original owner. Products or components that are represented as being waterproof are guaranteed to be waterproof only for, and within the limits, of the warranty period stated above. The warranty start date may not exceed eighteen (18) months from the original date of purchase by dealer from Furuno USA and applies to new equipment installed and operated in accordance with Furuno USA's published instructions.

Magnetrons and Microwave devices will be warranted for a period of 12 months from date of original equipment installation.

Furuno U.S.A., Inc. warrants each new product to be of sound material and workmanship and through its authorized dealer will exchange any parts proven to be defective in material or workmanship under normal use at no charge for a period of 24 months from the date of installation or purchase.

Furuno U.S.A., Inc., through an authorized Furuno dealer will provide labor at no cost to replace defective parts, exclusive of routine maintenance or normal adjustments, for a period of 24 months from installation date provided the work is done by Furuno U.S.A., Inc. or an AUTHORIZED Furuno dealer during normal shop hours and within a radius of 50 miles of the shop location.

A suitable proof of purchase showing date of purchase, or installation certification must be available to Furuno U.S.A., Inc., or its authorized dealer at the time of request for warranty service.

This warranty is valid for installation of products manufactured by Furuno Electric Co. (hereafter FURUNO). Any purchases from brick and mortar or web-based resellers that are imported into other countries by anyone other than a FURUNO certified dealer, agent or subsidiary may not comply with local standards. FURUNO strongly recommends against importing these products from international websites or other resellers, as the imported product may not work correctly and may interfere with other electronic devices. The imported product may also be in breach of the local laws and mandated technical requirements. Products imported into other countries, as described previously, shall not be eligible for local warranty service.

For products purchased outside of your country please contact the national distributor of Furuno products in the country where purchased.

### WARRANTY REGISTRATION AND INFORMATION

To register your product for warranty, as well as see the complete warranty guidelines and limitations, please visit [www.furunousa.com](http://www.furunousa.com) and click on "Support". In order to expedite repairs, warranty service on Furuno equipment is provided through its authorized dealer network. If this is not possible or practical, please contact Furuno U.S.A., Inc. to arrange warranty service.

FURUNO U.S.A., INC.  
**Attention: Service Coordinator**  
4400 N.W. Pacific Rim Boulevard  
Camas, WA 98607-9408  
Telephone: (360) 834-9300  
FAX: (360) 834-9400

Furuno U.S.A., Inc. is proud to supply you with the highest quality in Marine Electronics. We know you had several choices when making your selection of equipment, and from everyone at Furuno we thank you. Furuno takes great pride in customer service.



## Declaration of Conformity



We **FURUNO ELECTRIC CO., LTD.**

(Manufacturer)

9-52 Ashihara-Cho, Nishinomiya City, 662-8580, Hyogo, Japan

(Address)

declare under our sole responsibility that the product

**MARINE DISPLAY MU-152HD**

(Model name, type number)

to which this declaration relates conforms to the following standard(s) or other normative document(s)

### EU

EMC Directive 2014/30/EU

IEC 60945 Ed.4.0: 2002

For assessment, see

- Test report  
Labotech International Co., Ltd.  
LIC 12-22-138, 8 Sep 2022

### UK

SI 2016 No.1091 EMC Regulations 2016 as amended

EN 60945: 2002

For assessment, see

- Test report  
Labotech International Co., Ltd.  
LIC 12-22-138, 8 Sep 2022

(title and/or number and date of issue of the standard(s) or other normative document(s))

On behalf of Furuno Electric Co., Ltd.

Nishinomiya City, Japan  
28 October 2022

(Place and date of issue)

Akihiko Kanechika  
Department General Manager  
Quality Assurance Department

(name and signature or equivalent marking of authorized person)



## PSTI Statement of Compliance

We

FURUNO ELECTRIC CO., LTD.

(Name of manufacturer of the product)

9-52 Ashihara-Cho, Nishinomiya City, 662-8580, Hyogo, Japan

(Address of manufacturer of the product)

declare under our sole responsibility that the product

MARINE DISPLAY,  
MU-152HD, MU-192HD

(Product type, batch)

February / 28 / 2030

(Support period for the product)

[https://www.furuno.co.jp/en/csr/sociality/customer/product\\_security.html](https://www.furuno.co.jp/en/csr/sociality/customer/product_security.html)

(Weblink for latest information and contact to report to the manufacturer security issues)

to which this declaration relates conforms to the following standard(s) or other normative document(s)

Product Security and Telecommunications Infrastructure Act 2022

Product Security and Telecommunications Infrastructure (Security Requirements for  
Relevant Connectable Products) Regulations 2023 Schedule 1

On behalf of Furuno Electric Co., Ltd.

Nishinomiya City, Japan  
23 April 2024

(Place and date of issue)

Akihiko Kanechika  
Department General Manager  
Quality Assurance Department

(Signature, name and function of the signatory)

