

***Installation Manual***  
***VHF RADIOTELEPHONE***  
***FM-8800D/8800S***

---

System Configuration ..... ii

Equipment Lists ..... iii

1. Mounting ..... 1-1

2. Connections ..... 2-1

3. Assembling console kit ..... 3-1

Packing Lists ..... A-1

Outline Drawings ..... D-1

Interconnection Diagrams ..... S-1



**ECF**

(Elemental Chlorine Free)

The paper used in this manual  
is elemental chlorine free.

**FURUNO ELECTRIC CO., LTD.**

9-52 Ashihara-cho,  
Nishinomiya, 662-8580, JAPAN

• FURUNO Authorized Distributor/Dealer

All rights reserved. Printed in Japan

Pub. No. IME-56420-M2

(ETMI ) FM-8800D/S

A : SEP. 2004

M2 : FEB. 21, 2019



0 0 0 1 9 3 6 7 5 1 1



# SAFETY INSTRUCTIONS

## WARNING



**Hazardous voltage.  
Can shock, burn or cause  
serious injury.**

Do not work inside the equipment unless totally familiar with electrical circuits.



**Do not approach the antenna  
closer than 0.9 m (MPE by  
FCC) when it is transmitting.**

The antenna emits radio waves which can be harmful to the human body.

	RF power density on antenna aperture	Distance	Description required by
FM-8800S	100 W/m <sup>2</sup>	0.11 m	IEC 60945
	10 W/m <sup>2</sup>	0.33 m	IEC 60945
	2 W/m <sup>2</sup>	0.9 m	MPE by FCC
FM-8800D	100 W/m <sup>2</sup>	0.11 m	IEC 60945
	10 W/m <sup>2</sup>	0.33 m	IEC 60945
	2 W/m <sup>2</sup>	0.9 m	MPE by FCC

(MPE: Minimum Permissible Exposure)

**Turn off the power at the mains switchboard before beginning the installation. Post a warning sign near the switchboard to indicate that power should not be applied while the equipment is being installed.**

Electrical shock, serious injury or fire can result if the power is not turned off or is applied while the equipment is being installed.

## CAUTION



**Attach securely protective  
earth to the ship's body.**

The protective earth (grounding) is required to the AC/DC power supply unit to prevent electrical shock.

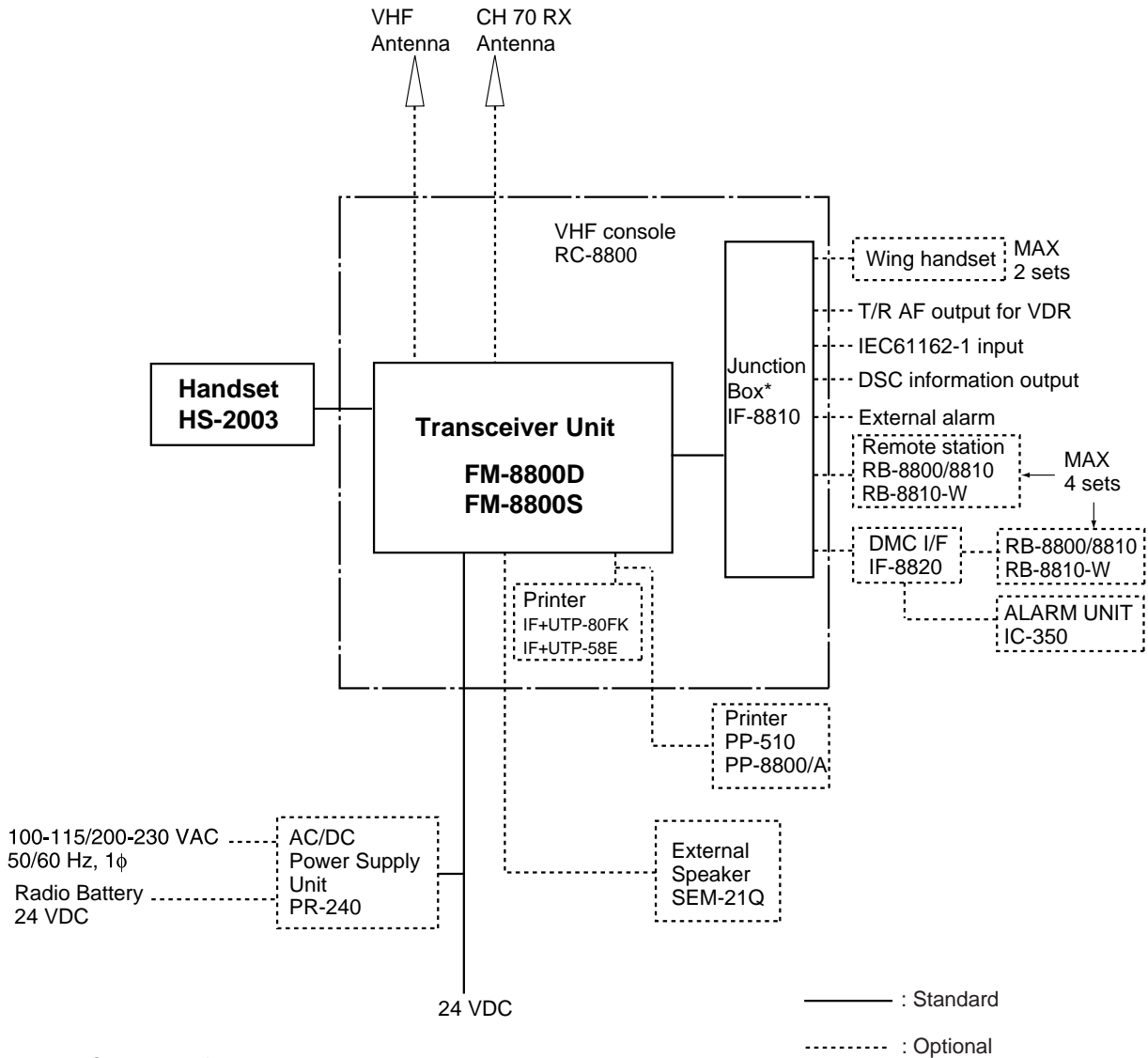
**Confirm that the power supply voltage  
is compatible with the voltage rating  
of the equipment.**

Connection to the wrong power supply can cause fire or equipment damage. The voltage rating appears on the label at the rear of the display unit.

**Observe the compass safe distance to  
prevent deviation of a magnetic  
compass.**

	Standard compass	Steering compass
FM-8800S	1.45 m	0.90 m
FM-8800D	1.45 m	0.95 m
IF-8810	0.85 m	0.55 m
IF-8820	0.75 m	0.50 m
HS-2003	1.50 m	0.95 m
HS-8800	0.40 m	0.30 m
RB-8800 (W/HS-8800)	1.20 m	0.80 m
RB-8810 (W/HS-8800)	1.50 m	1.00 m
PR-240	0.90 m	0.60 m
RB-8810-W (W/HS-8810-W)	1.55 m	1.00 m

# SYSTEM CONFIGURATION



Category of units

Unit	Category
Antenna	Exposed to weather
All other units	Protected from weather

\*: Option for FM-8800S/D-N

# EQUIPMENT LISTS

## Standard Supply

	Name	Type	Qty	Code No.	Remarks
1	Transceiver Unit	FM-8800D-E-A	1	—	D: Duplex S: Simplex E: With handset HS-2003 F: With microphone DM-2003-F A: With IF-8810 N: No IF-8810 R: Russian version
		FM-8800D-E-N			
		FM-8800D-F-A			
		FM-8800D-F-N			
		FM-8800S-E-A			
		FM-8800S-E-N			
		FM-8800S-F-A			
		FM-8800S-F-N			
		FM-8800S-R-A			
		FM-8800S-R-N			
2	Accessories*	FP05-05700	1	000-054-228	For E-type Handset HS-2003, Hanger FP05-05510, Others FP05-05511
		FP05-05710		000-054-156	For F-type Microphone DM-2003-F
3	Junction Box	IF-8810	1	—	For A-type
4	Installation Materials*	CP05-09900	1	000-054-227	Power cable 05S9371, CP05-09901
5	Spare Parts*	SP05-05501	1	005-377-820	

## Standard Supply for VHF Console

	Name	Type	Qty	Code No.	Remarks
1	VHF Console	RC-8800-SN RC-8800-DN RC-8800-SA RC-8800-DA RC-8800-SB RC-8800-DB	1	—	D: Duplex FM-8800D S: Simplex DM-8800S N: No printer A: With printer UTP-80FK B: With printer UTP-58E
2	Installation Materials*	CP05-10201	1	005-371-850	
3	Accessories*	FP05-05800	1	000-054-372	Handset HS-2003 & Handset hanger FP05-05510
		FP05-05810		000-010-428	HS-2003, FP05-05510, Thermal paper TP058-30CL

\*: See lists at the end of this manual.

## Optional Equipment

Name	Type	Code No.	Remarks
Flush Mount Kit	OP05-102	000-054-120	
Junction Box	IF-8810	—	W/ Screw 5x20 4 pcs.
DMC Interface	IF-8820	—	No use for Russian version
Remote Station	RB-8800-15 (W/ 1.5 m Cable)	—	·FP05-05701*, ·Handset HS-8800, ·Hanger W/DIST. button HG-8800
	RB-8800-20 (W/ 2 m Cable)		
	RB-8810-15 (W/ 1.5 m Cable)	—	·FP05-05511*, ·Handset HS-8800, ·Hanger HG-8810
	RB-8810-20 (W/ 2 m Cable)		
	RB-8810-W-15	—	W/ HS-8800-W-15
Handset	HS-8800-15	000-054-230	W/ 1.5 m Cable
	HS-8800-20	000-054-171	W/ 2 m Cable
	HS-8800-W-15	000-054-287	Waterproof
	HS-2003-15	000-054-223	W/ Cable 1.5 m
	HS-2003-20	000-054-390	W/ Cable 2.0 m
	HS-2003-50S	000-054-391	W/ Straight cable 5.0 m
	HS-6000FZ11	000-135-072	
	FP05-05700	000-010-246	HS-2003-15 & Hanger
Handset Hanger	HG-8800	000-054-229	For HS-8800
	HG-8810	000-054-231	For HS-8800
	FP05-05510	005-951-790	For HS-2003
	AP-102	000-580-019	For HS-6000FZ11
Loudspeaker	SEM-21Q	000-144-917	
Dynamic Mic. Set	OP05-57	000-045-775	Handset HS-6000FZ5, Receptacle RDB-VHF(B), Hanger AP-102
Carbon Mic. Set	OP05-58	000-045-776	Handset HS-6000FZ6, Receptacle RDB-VHF, Hanger AP-102
Handset set	OP05-42	000-045-778	Handset HS-6000FZ11, Receptacle RDB-VHF(B), Hanger AP-102
Mic. Receptacle Box	RDB-VHF (B)	000-056-094	
Microphone	DM-2003-F	005-377-760	For transceiver unit only (not RB-8800), **
Printer	PP-510	—	
Printer Interface	IF-8500	—	
AC-DC Power Supply	PR-240	—	
Antenna Material	AP05-01300	000-034-126	Whip antenna CX4-3/FEC, Mounting plate N173/FEC, Coax. Cable 5D-2V 10m, Connector M-P-5 2 PCS
	AP05-01600	000-034-987	Whip antenna CX4-3/FEC, Mounting plate N174/FEC, Coax. Cable 5D-2V 10m, Connector M-P-5 2 PCS
	AP05-00810	000-057-722	Whip antenna RA106, Mounting plate RA115, Coax. Cable 05S9104 5m
	AP05-00900	000-057-739	Whip antenna 396-1, Mounting plate 4187

\*: See lists at the end of this manual

\*\* : Microphone DM-2003-F can be connected to transceiver unit instead of handset HS-2003. However, in this case, any remote station is disabled.

Name	Type	Code No.	Remarks
Antenna Material	AP05-01400	000-034-127	Whip antenna CX4-3/FEC, Mounting plate N173/FEC, Connector M-P-7 2 PCS
	AP05-01700	000-034-988	Whip antenna CX4-3/FEC, Mounting plate N174/FEC, Connector M-P-7 2 PCS
	AP05-01500	000-034-128	Whip antenna CX4-3/FEC, Mounting plate N173/FEC, Coax. Cable 5D-2V 10m, Connector M-P-5 & M-P-7
	AP05-01800	000-034-989	Whip antenna CX4-3/FEC, Mounting plate N174/FEC, Coax. Cable 5D-2V 10m, Connector M-P-5 & M-P-7
	AP05-01510	000-034-129	Whip antenna CX4-3/FEC, Mounting plate N173/FEC, Coax. Cable 5D-2V 20m, Connector M-P-5 & M-P-7
	AP05-01810	000-034-990	Whip antenna CX4-3/FEC, Mounting plate N174/FEC, Coax. Cable 5D-2V 20m, Connector M-P-5 & M-P-7
Antenna Fixing Bracket	CP05-14001	001-430-360	Bracket M-15AS1
Signal Cable	05S0309 *10M*	000-106-043	10m
	05S0309 *20M*	000-106-044	20m
	05S0309 *30M*	000-106-046	30m
	05S0309 *40M*	000-106-047	40m
	05S0309 *50M*	000-106-048	50m
Twisted Cable	CO-SPEVV-SB-C 0.2x2P	000-111-680	5m
		000-120-792	10m
		000-120-793	15m
		000-120-794	20m
		000-120-214	30m
Cable Assembly	PG05-0053-1	000-158-681-11	Extension cable for HS-2003
VHF Console Kit	RC-8800-N-75BG	-	Without Printer
	RC-8800-A-75BG	-	With Printer UTP-80FK
	RC-8800-B	-	With Printer UTP-58E
Printer	PP-8800	-	W/ power cable
	PP-8800A		
Emergency Lamp	OP05-119	001-105-500	For rack console, cable attached, w/fixing plate
Cable	05S9509-L500	000-168-955-10	For handset extension
Recording paper	TP-312C-1	000-196-801-10	

This page is intentionally left blank.



# 1. MOUNTING

---

## NOTICE

**Do not apply paint, anti-corrosive sealant or contact spray to coating or plastic parts of the equipment.**

Those items contain organic solvents that can damage coating and plastic parts, especially plastic connectors.

## Transceiver Unit

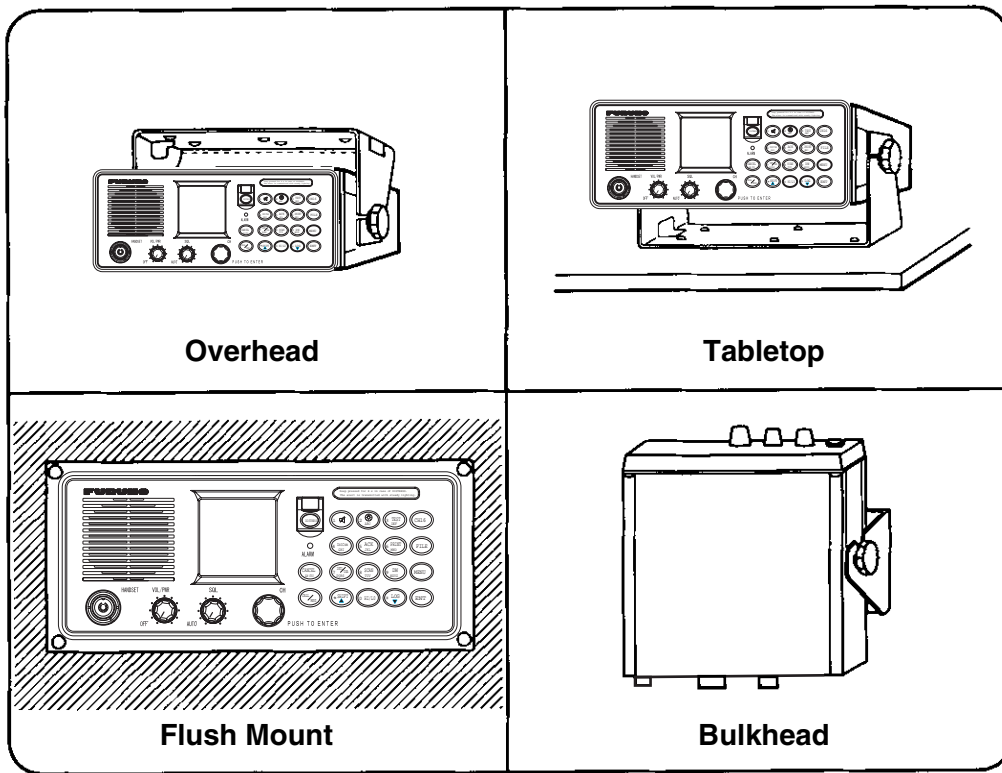
### General mounting considerations

Determine the mounting location for the transceiver unit considering operator convenience, proximity to the power source and the ground location. Keep these and the following points in mind when selecting a mounting location.

- Locate the unit in a place free of water spray and water splash.
- Keep the unit out of direct sunlight because of heat that can build up inside the unit.
- Leave a little slack in cables to allow a service technician to move the radio from its usual location with the cables connected. This lets him make tuning and other adjustments on a “live” set.
- Do not install the unit where flammable gases are stored.
- Select a well-ventilated area.
- Ensure the mounting location is strong enough to support the weight of the unit (approx. 6 kg) under the condition of continued vibration normally encountered aboard the vessel. If necessary, reinforce the mounting area with a doubling plate or lining block.
- Leave sufficient space at the sides and rear of the unit for maintenance and service purposes and to provide for circulation of cooling air. See outlines drawings at the back of this manual.
- **For flush mounting**, select a location where the LCD can be easily viewed.
- The transceiver unit will affect a magnetic compass if placed too near the compass. Observe the compass safe distance to prevent deviation of a magnetic compass, referring to page “ i ”.

**Note:** Take great care not to press the DISTRESS switch during the installation. If you accidentally press the switch, immediately turn off the equipment and contact appropriate authority by telephone.

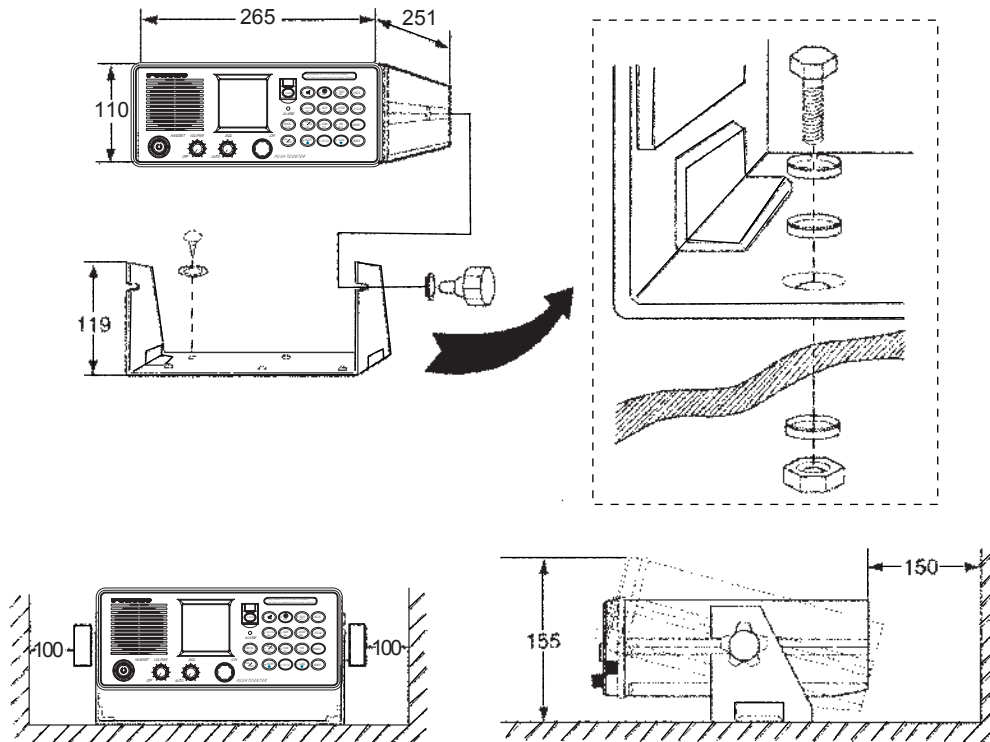
### Overview of mounting methods



*Overview of mounting methods*

## Mounting procedure for tabletop, overhead and bulkhead mounting

1. Using the hanger as a template, mark fixing holes in the mounting location.
2. Fix the hanger to the mounting location with self-tapping screws and washers (supplied).  
(For added support, use nuts, bolts and washers instead of self-tapping screws.)
3. Screw the knob bolts with washers into the transceiver unit.
4. Set the transceiver unit to the hanger and tighten knob bolts.



- All dimensions in millimeters.
- Leave sufficient space at the sides and rear of the unit to provide easy access for maintenance and service.

*Mounting dimensions for tabletop, overhead and bulkhead mounting*

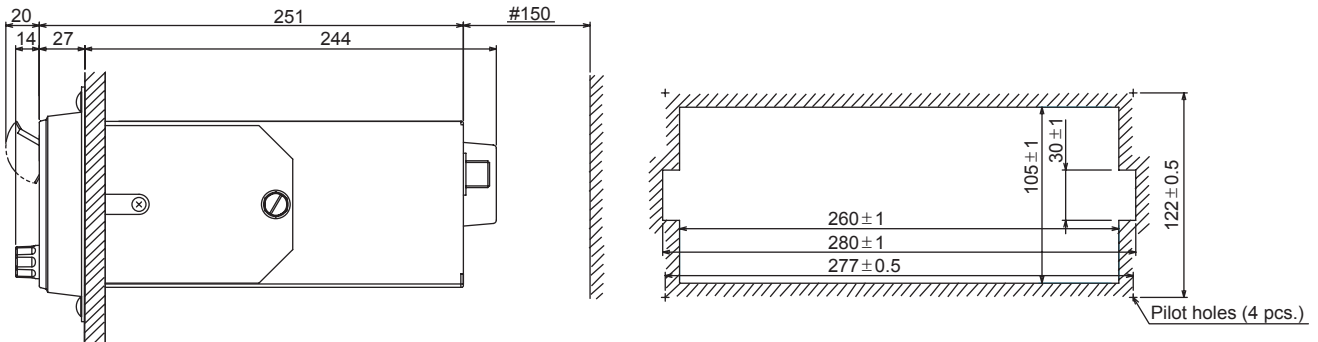
## 1. MOUNTING

### Mounting procedure for flush mount (option)

Requires optional flush mount kit OP05-102 (Code No. 000-054-120). Prepare a cutout in the mounting location whose dimensions are as shown in the figure below.

#### Flush mount kit OP05-102

	Name	Type	Code No.	Qty
1	Mounting plate	05-093-1211	100-323-160	1
2	Self-tapping screw	5x20	000-802-081	4
3	Hex screw	M8x16	000-882-075	2



*Mounting dimensions for flush mount*

## VHF Antenna

### The antenna requirements

Any good quality antenna meeting the requirements shown below may be used. A high-gain antenna is preferable.

- Frequency range: 155 to 164 MHz
- Impedance: 50 ohms
- Polarization: Vertical
- Handling power: 30 W/ min
- Quality: Able to withstand marine environment

### Mounting considerations

- The antenna should be well separated from nearby antennas, masts, and other interfering objects.
- The higher the antenna is mounted above the horizon, the further the communications range.

### Mounting procedure

The basic mounting procedure for antennas supplied by FURUNO is as follows, however consult appropriate outline drawing for details.

1. Fasten the antenna bracket to the stanchion.
2. Set the antenna to the antenna bracket and tighten bolts.
3. Screw the coaxial cable plug into the antenna.

## CH70 RX Antenna

The antenna should be well separated from nearby antennas, masts, and other interfering objects.

The mounting procedure is the same as that for the VHF antenna, however consult appropriate outline drawing for details.

## Handset Hanger

The handset hanger can be mounted at the left side of the transceiver unit. The mounting location should provide easy access to front panel controls while operating the handset. Also, the length of the standard handset cable is 50 cm, so locate the handset hanger within 50 cm of the unit. (Longer cables are available optionally.)

## Power Supply (option)

For Convention vessels, both AC and DC power must be fed to the FM-8800D/8800S, via an AC-DC power supply. When AC input fails, DC power is supplied. FURUNO can supply an AC-DC power supply unit, the PR-240.

## Mounting considerations

When selecting a mounting location, keep in mind the following points.

- Select a location which provides adequate ventilation.
- The location must be clean and dry.
- The mounting location must be able to support the weight of the unit (14.5 kg) under the continued conditions of vibration normally encountered aboard the vessel. If necessary, reinforce the mounting location.
- The PR-240 will affect a magnetic compass if it is placed too near the compass. Observe the compass safe distance to prevent deviation of a magnetic compass, referring to page “j”.

## Mounting

Refer to outline drawing.

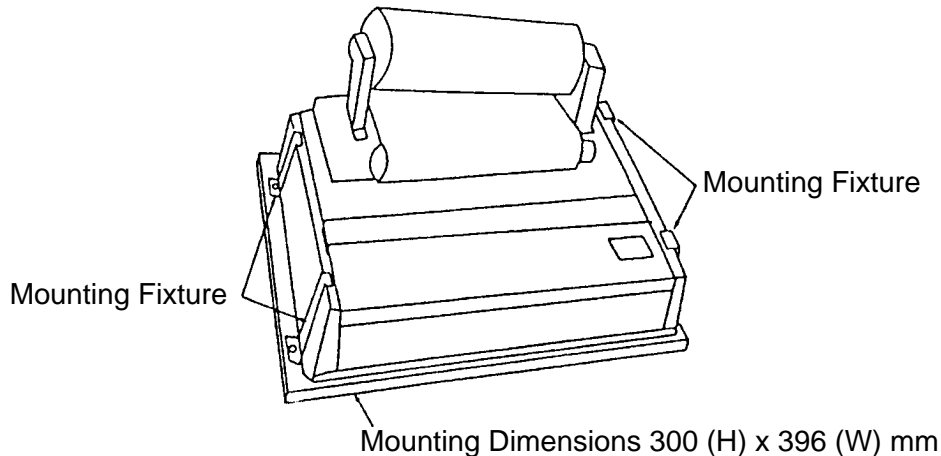
## 1. MOUNTING

### Printer (option)

#### Printer PP-510

To mount the printer, refer to the printer outline drawing at the back of this manual.

1. Select a flat surface.
2. Fix the mounting base to the mounting location with four screws (supplied).
3. Lay the printer on the top of the mounting base and fasten it with the mounting fixtures (two at each side and one at rear).



*Mounting of Printer PP-510*

#### Printer PP-8800

The printer PP-8800 is flush-mounted in a panel. Refer to the outline drawing at the back of this manual.

1. Make a cutout of 208(w) x 118(h) mm.
2. Set the printer and fix it with four self-tapping screws (4x16).

### Printer Interface (option)

The printer interface IF-8500 is required for the printer PP-510 which is commonly used with the FM-8800D/S and other MF/HF radio communication equipment. To mount the unit, see the outline drawing at the back of this manual.

### External Loudspeaker (option)

The external loudspeaker can be installed on a tabletop, the overhead or a bulkhead. Fasten the loudspeaker to the mounting location with self-tapping screws, or nuts, bolts and washers. For mounting dimensions, see the outline drawing at the back of this manual.

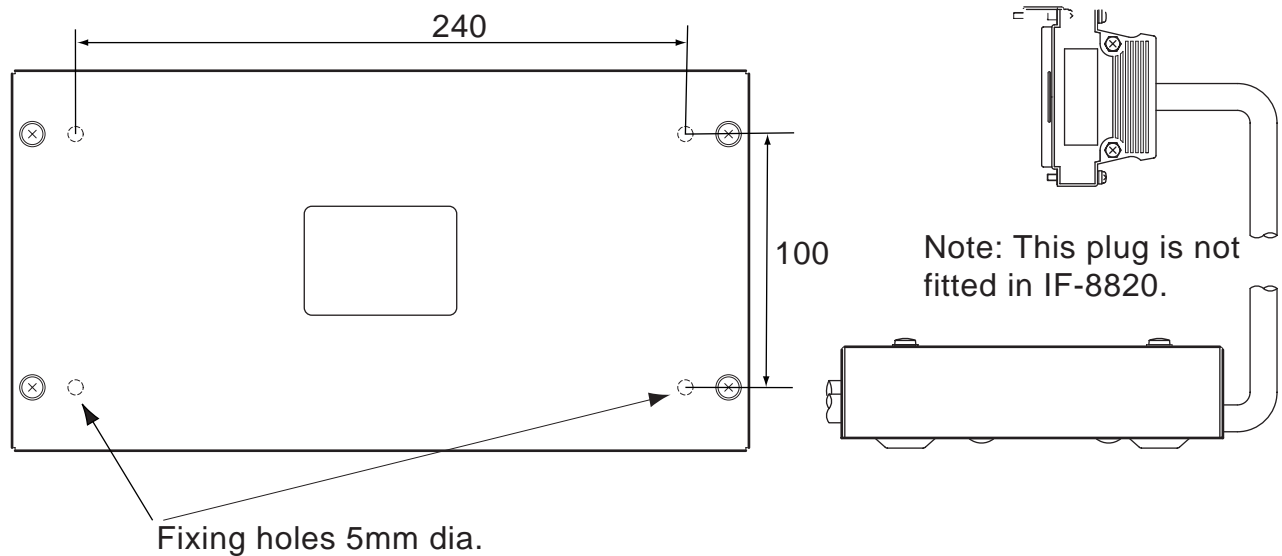
## Junction box IF-8810/ DMC interface IF-8820

**Note:** DMC interface IF-8820 is not used for Russian version.

To install the remote box RB-8800/RB-8810, wing handset, etc., the junction box IF-8810 is required. Install the junction box near the transceiver unit. Approx. 3 m cable is preattached to the junction box to connect to the transceiver unit.

To connect Furuno's distress message controller DMC-5, the DMC interface IF-8820 (option) is required.

1. Open the cover.
2. Mount the unit with four self-tapping screws (5x20).



*Mounting the junction box/DMC interface*

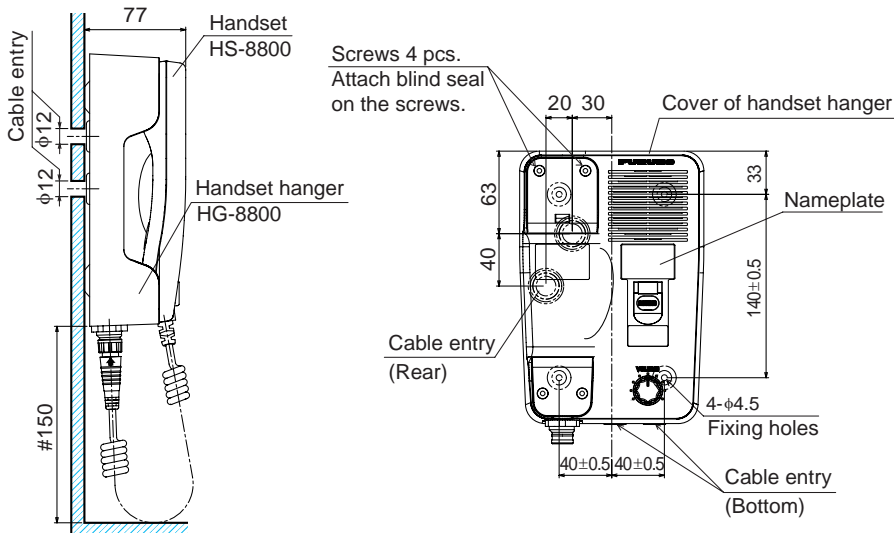
1. MOUNTING

**Remote station RB-8800/RB-8810 (option)**

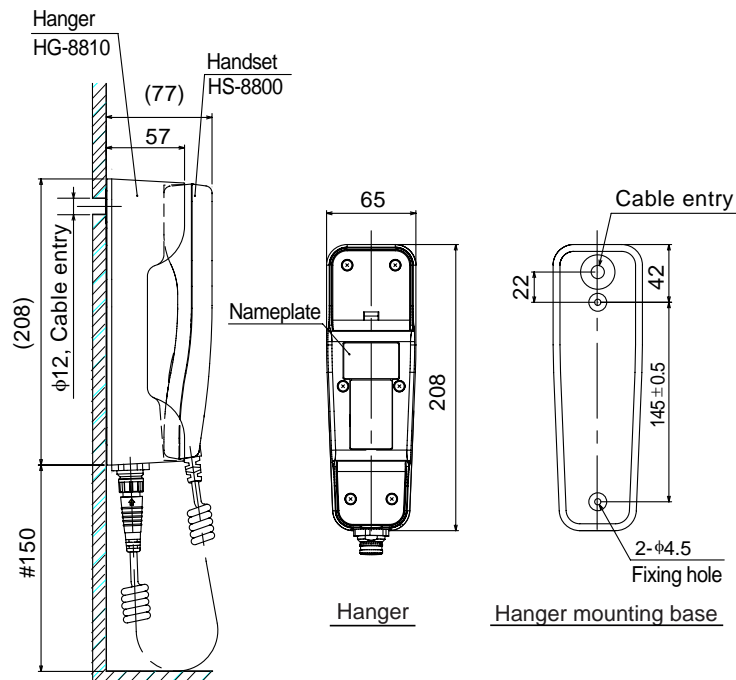
Up to four remote stations can be connected in a daisy chain.

**Note:** For the remote station RB-8800, there are two method of cable entry: bottom-side entry and rear-side entry. For rear-side entry, make one or two holes of more than 12 mm diameter. For last station in the daisy chain, just one cable entry hole is needed.

1. Remove screws on the handset hanger (four for RB-8800, six for RB-8810).
2. Remove upper chassis of the hanger.
3. Mount the base of the hanger to a bulkhead with self-tapping screws 4x20 (four for RB-8800), or 4x16 (two for RB-8810).
4. After connecting cables, assemble the remote station.
5. For RB-8800, attach blind seals on the screws.



*Remote station RB-8800*



*Remote station RB-8810*



### **Outdoor mounting of waterproof-type remote station RB-8810-W**

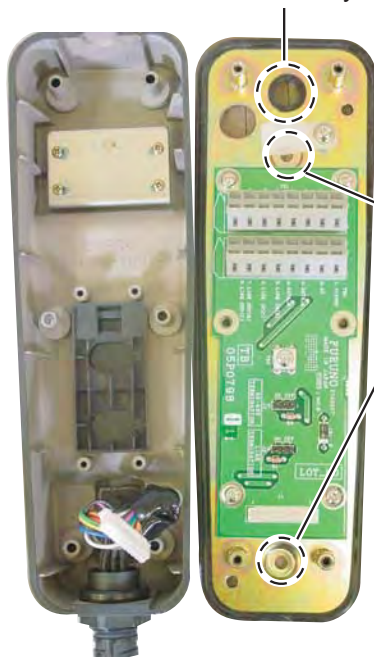
Remote station RB-8810-W (with waterproof-type handset HS-8800-W) can be mounted outdoors if it is set in a waterproof box. The hanger should be coated as directed below with silicone sealant for waterproofing.

**Note 1:** Be sure to use a waterproof box to mount the RB-8810-W outdoors. The waterproofing category of the RB-8810-W is IEC60529 IP56, however this should be protected from the weather (IEC 60945).

**Note 2:** Before sealing with silicone sealant (for waterproofing), do the termination setting (only for termination device, see page 2-7), connect cables and conduct the performance test. After sealing, do not open the handset hanger.

1. Fix the mounting base with self-tapping screws. Coat exposed part of these screws with silicone sealant.
2. Attach the cable from the transceiver unit or junction box. Coat cable around cable entrance with silicone sealant.
3. Fix the cover of the handset hanger. Coat junction between mounting base and cover with silicone sealant.

2. Coat all around the cable at cable entry.



1. Coat self-tapping screws.



3. Coat all around the junction.



**Note:** Confirm that plastic washers are in screw holes before fixing cover.

## 1. MOUNTING

### VHF console

Install the rack console where the equipment can be easily operated, checked and serviced. Consult with shipyard personnel and ship's officer-in-charge to determine best location. The location must satisfy the following points:

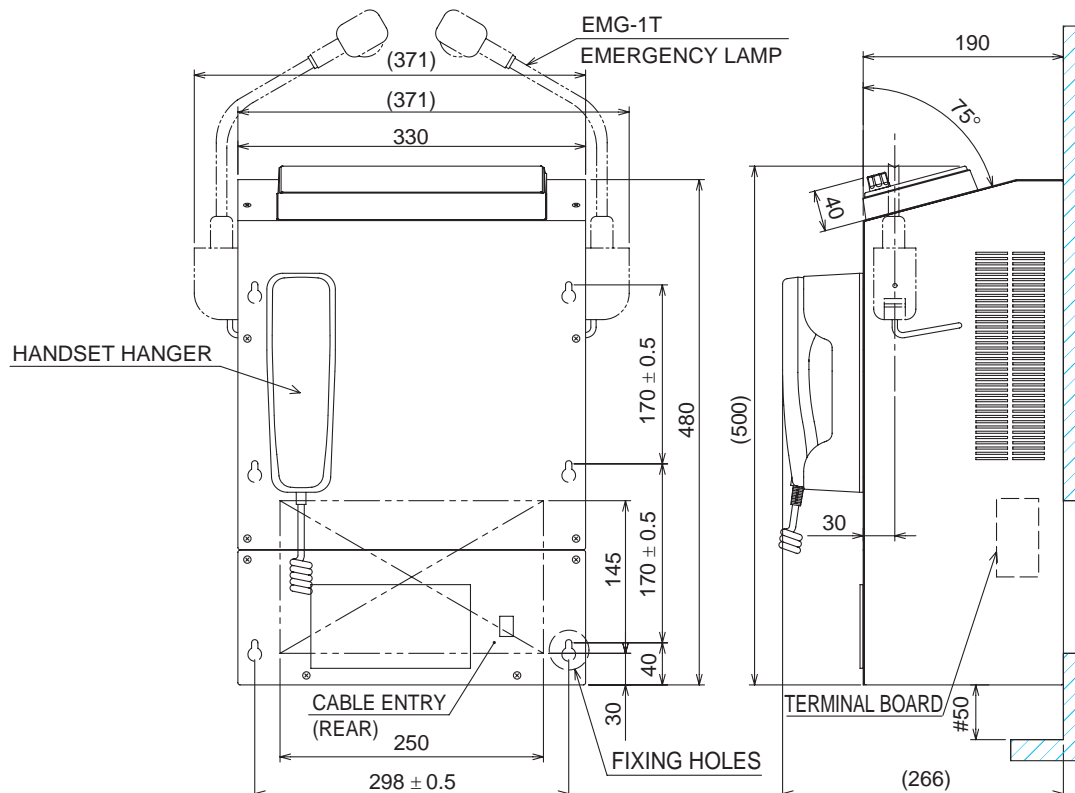
- Select a location where controls can be easily operated.
- Select a location where shock and vibration are minimal.
- Locate the console away from water splash and rain.
- The temperature and humidity of the location should be both stable and moderate.

### Fixing

1. Ask shipyard personnel to tighten six M5 nuts or six M5 bolts to the fixing holes (on the wall), referring to the outline drawing at the back of this manual.
2. Detach the cover assembly from the console.
3. Hang VHF console on bolts.
4. Screw the console with the bolts or nuts tightly.
5. Attach the cover assembly to the console.

**Note:** When you connect wires as soon as attaching console, refer to paragraph 2-10.

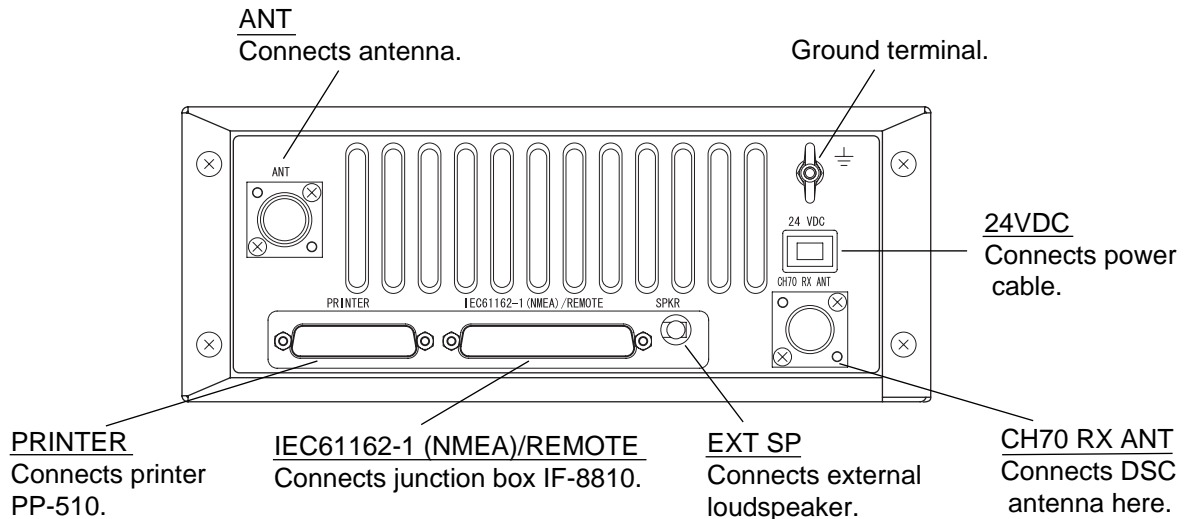
6. Attach the handset hanger with two screws.
7. To attach the optional emergency lamp, connect the cable to the terminal board, and then attach the lamp to the console. Refer to the interconnection diagram and out line drawing.



## 2. CONNECTIONS

### Overview

The figure below shows where to connect various equipment at the rear of the transceiver unit.



*FM-8800D/8800S, rear view*

### Connection of Power Supply

#### Convention vessels, 100/220 VAC ship's mains

Convention vessels must supply both AC and DC power to the FM-8800D/8800S, via an AC-DC power supply unit. Both AC and DC are supplied by the AC-DC power supply unit, and when AC input fails DC power is activated.

Connect the radio battery to the DC IN terminal on the PR-240. Connect the AC ship's mains to the AC IN terminal on the PR-240.

#### Radio battery (24 VDC)

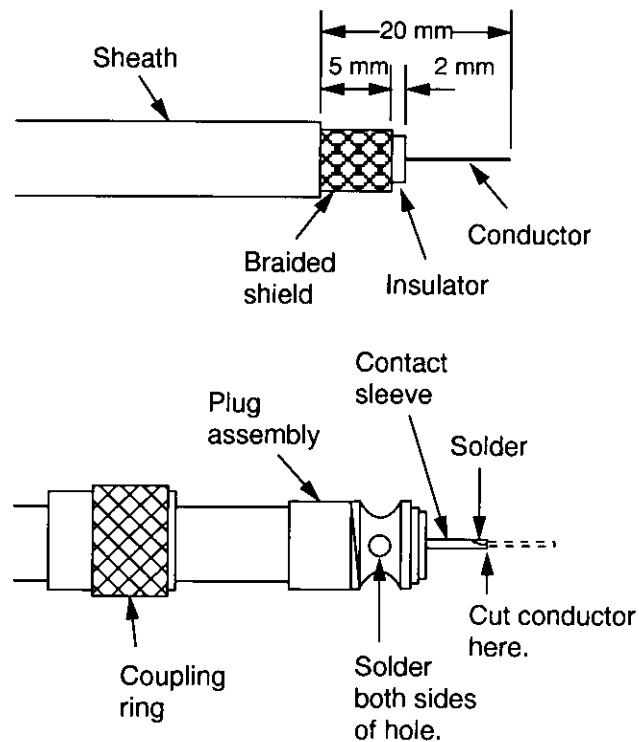
Attach the connector supplied to the power cable and plug it into the 24VDC connector at the rear of the transceiver unit. Connect the wire ends to the radio battery line.

## Connection of VHF Antenna

The VHF antenna is connected to the transceiver unit with a 50 ohm coaxial cable, type 5D-2V. Be sure to leave some slack in the cable for future service and maintenance.

Lay the coaxial cable and attach an M-type plug to the cable (if necessary) as follows.

1. Remove the sheath by 20 mm.
2. Bare 13 mm of the center conductor. Trim braided shield by 5 mm and tin.
3. Slide coupling ring onto cable.
4. Screw the plug assembly on the cable.
5. Solder plug assembly to braided shield through solder holes. Solder contact sleeve to conductor.
6. Screw coupling ring into plug assembly.
7. Screw the plug into the ANT connector at the rear of the transceiver unit.



*How to attach the M-type plug to the coaxial cable*

## Connection of DSC Antenna

The DSC antenna is connected to the transceiver unit with a 50 ohm coaxial cable, type 5D-2V. Attach an M-type plug to the cable (if necessary) as shown on page 2-2. Screw the plug into the CH70 RX ANT connector at the rear of the transceiver unit.

## Connection of Handset

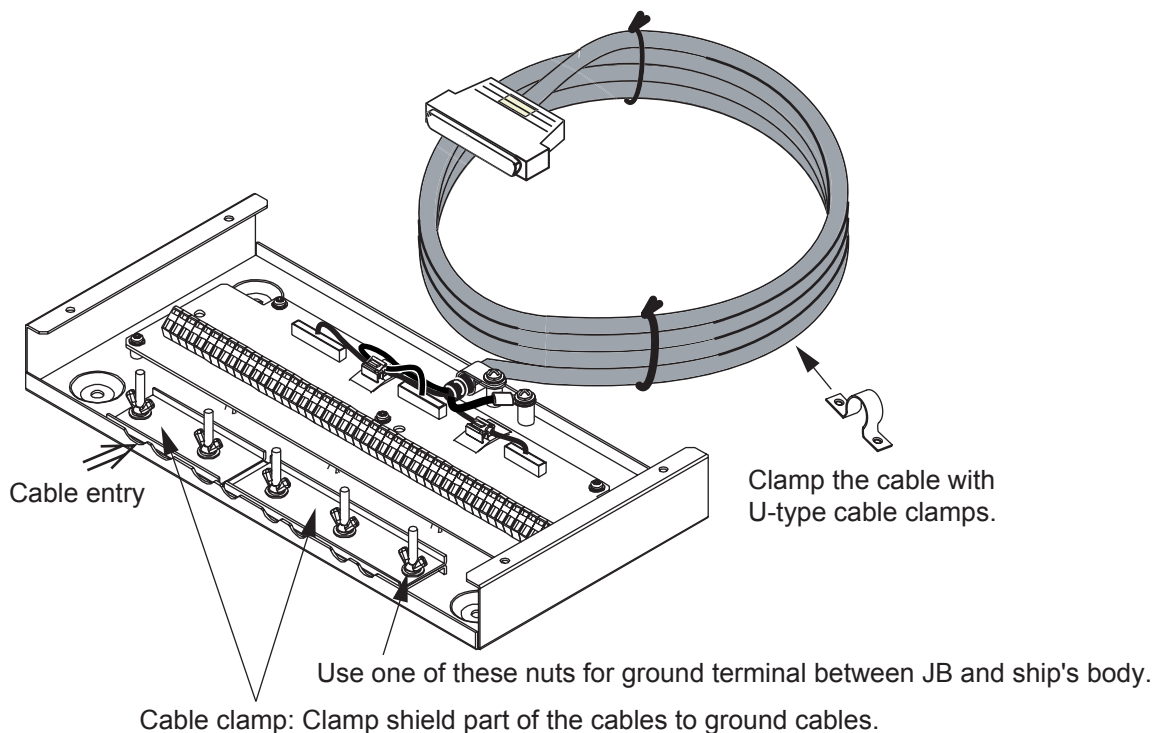
Connect the handset cable to the HANDSET connector on the front panel.

## Grounding the Transceiver Unit

Fasten a ground wire (local supply) between the GND terminal at the rear of the transceiver unit and ship's hull (or ground bus).

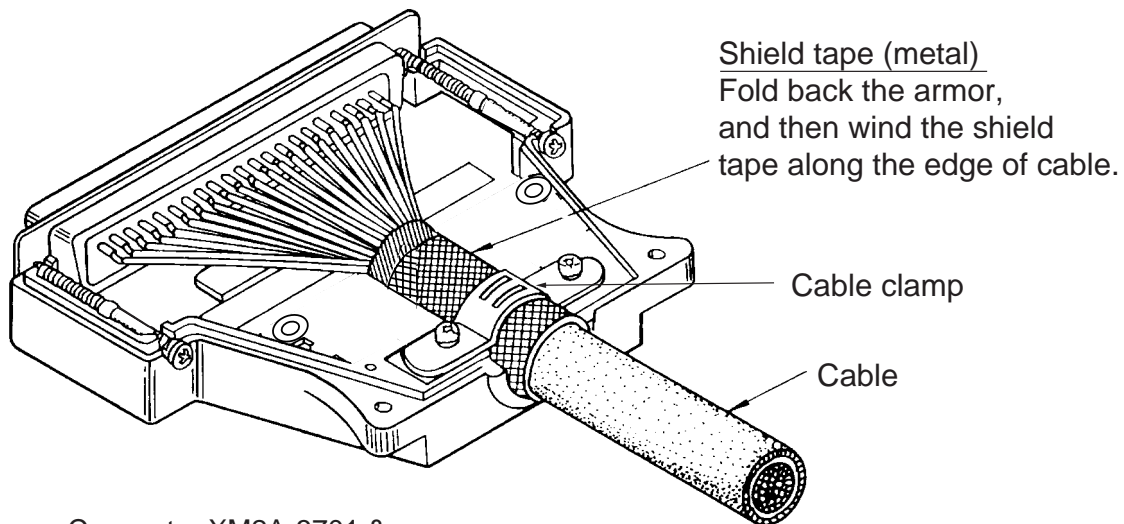
## Connecting the Junction Box

The junction box is required to connect a remote station, wing handset, etc. The cable to be connected with the transceiver unit is prefitted on the junction box at the factory. For connection of other cables, see the interconnection diagram.



## Connecting the Remote Station without the Junction Box

The remote station (or DMC Interface, Mic. Receptacle box, etc) can be connected directly to the transceiver unit, using the D-sub connector supplied as installation materials. Attach the connector to the cable as follows.



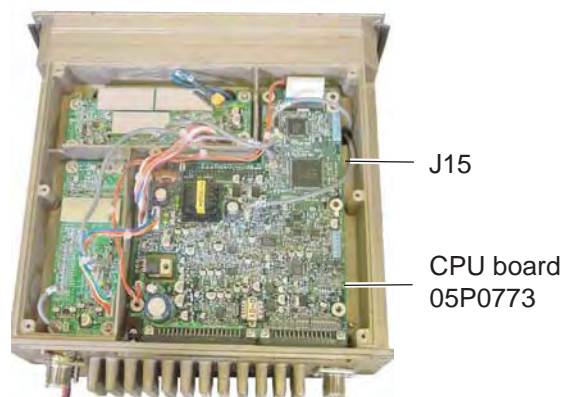
Connector XM2A-3701 &  
Housing case XM2S-3712

*Attachment of connector*

## When the handset HS-2003 is not connected to the Transceiver unit

When the handset HS-2003 is not connected to the transceiver unit, i.e., always the remoted handset is used, the following modification is necessary.

1. Dismount the cover of the transceiver unit by removing four screws at the rear panel and two screws at the side.
2. Dismount the bottom cover by removing seven screws.

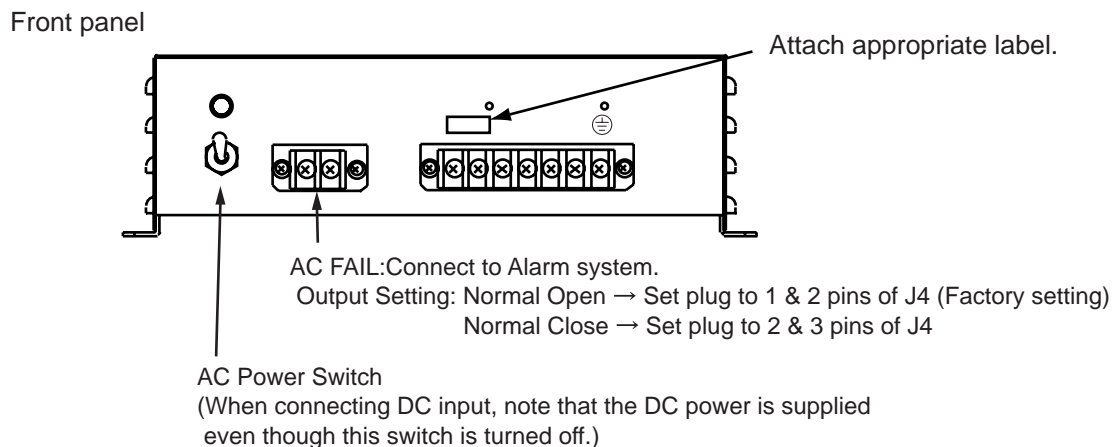
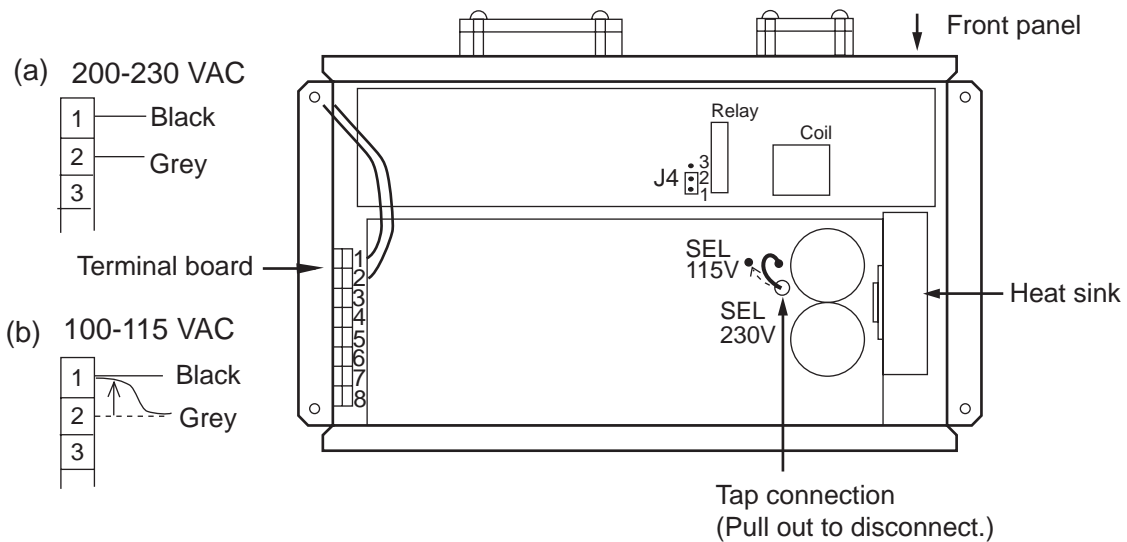
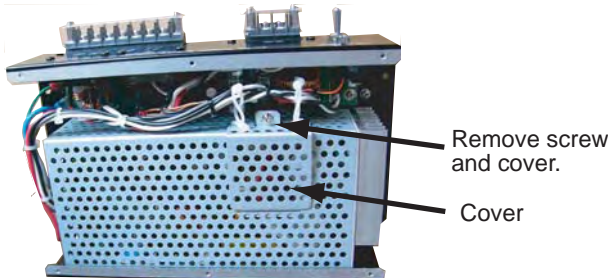


3. Shorten between #1 and #2 of J15. The handset line of the HANDSET port becomes always "ON HOOK".
4. Assemble the unit.

## Connection of AC-DC Power Supply Unit PR-240

The AC/DC power supply unit PR-240 is shipped ready for connection to a 200-230 VAC ship's mains. If the ship's mains is 100 VAC-115 VAC, change the tap connection and terminal board connection as below. Attach a label supplied as accessories to the front panel according to the ship's mains.

Ship's mains	Tap connection	Terminal board	Label
200-230 VAC	SEL 230 V	Below (a)	200-230 VAC 2.2-1.7 A 1 50/60 Hz
100-115 VAC	SEL 115 V	Below (b)	100-115 VAC 3.2-2.6 A 1 50/60 Hz

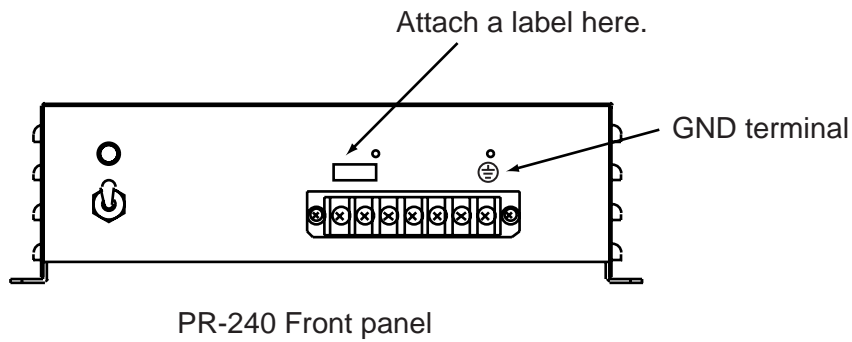
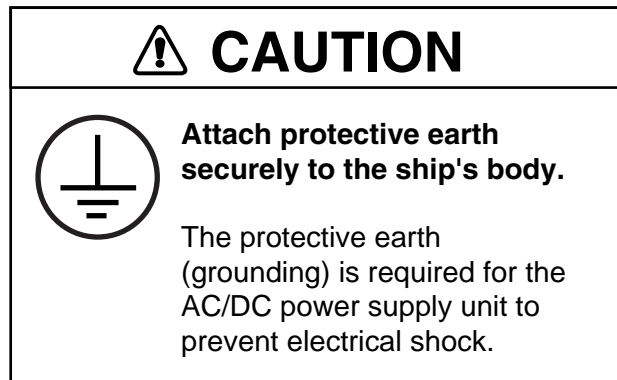


**Note:** The DC output load must be less than 8A.

## 2. CONNECTIONS

### Protective earth

Connect IV-2.0sq wire between ship's superstructure and the ground terminal on the PR-240.



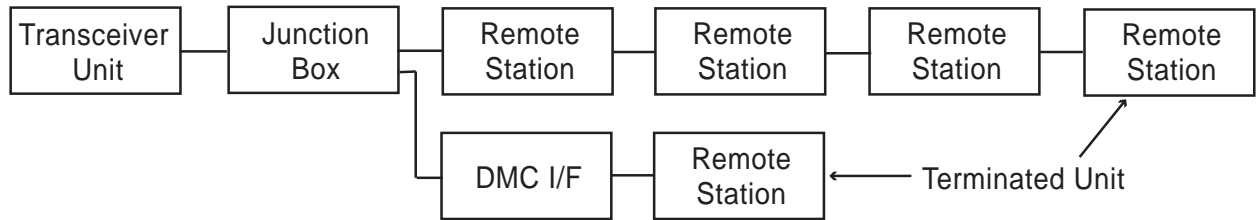


# Jumper Setting for Termination

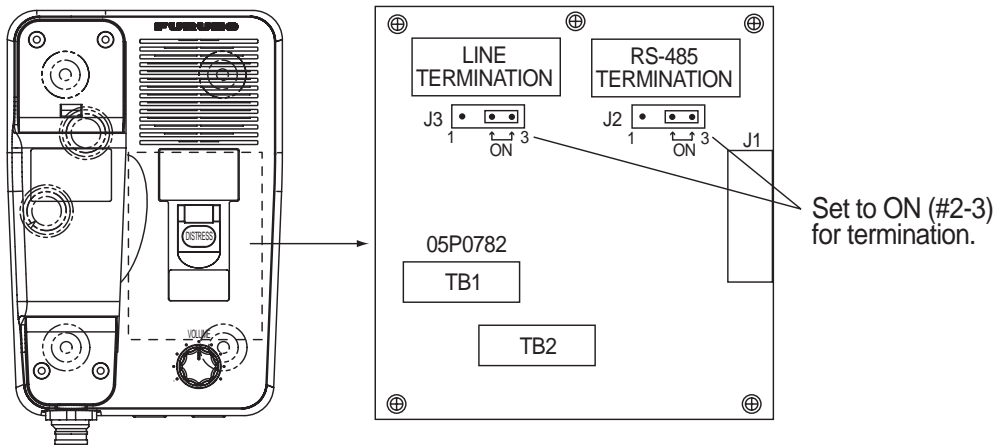
**Note:** DMC interface is not used for Russian version.

It is necessary, for termination, to change the jumper setting for remote station or DMC interface.

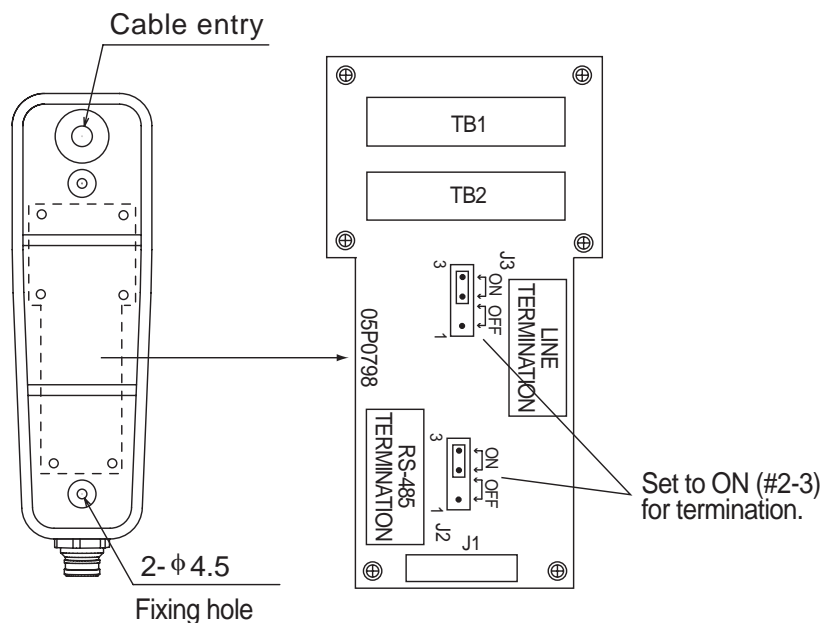
Open the unit(s) terminated and change the jumper plugs J2 and J3 to ON position (#2-#3). (Default setting is OFF position.)



Note that up to four remote stations can be connected.



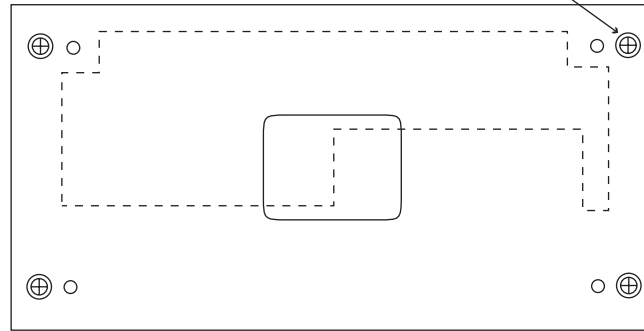
Remote station RB-8800



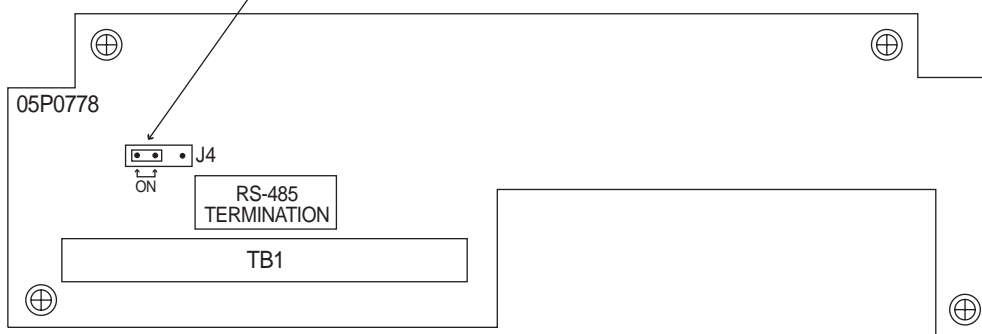
Remote station RB-8810

## 2. CONNECTIONS

Remove four screws  
to open the unit.



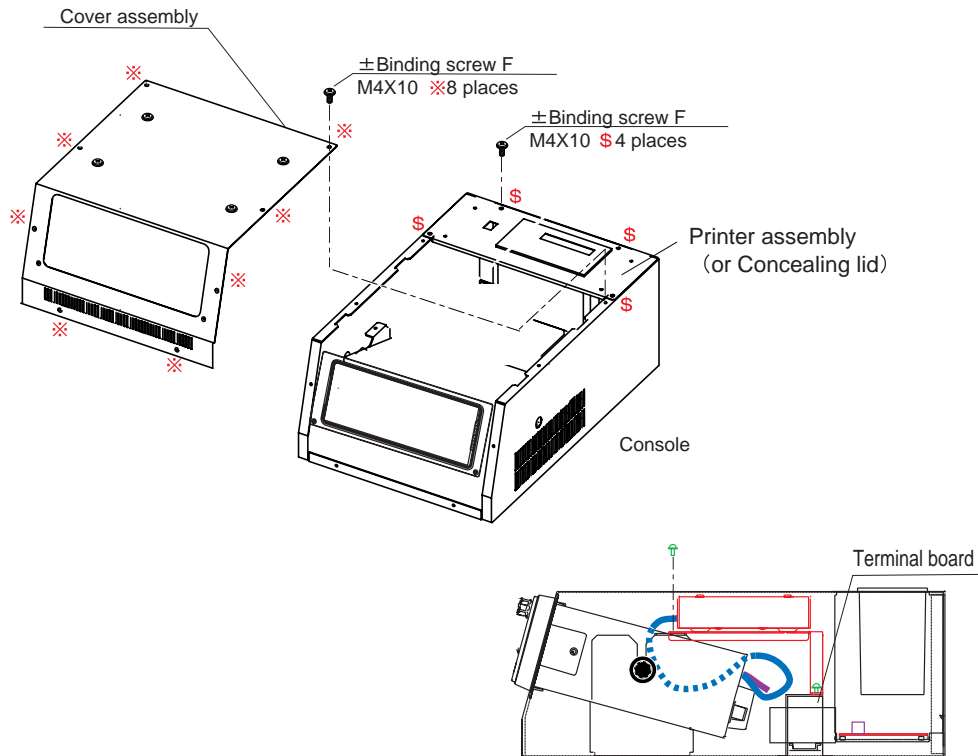
Set jumper plug to ON (#1-2).



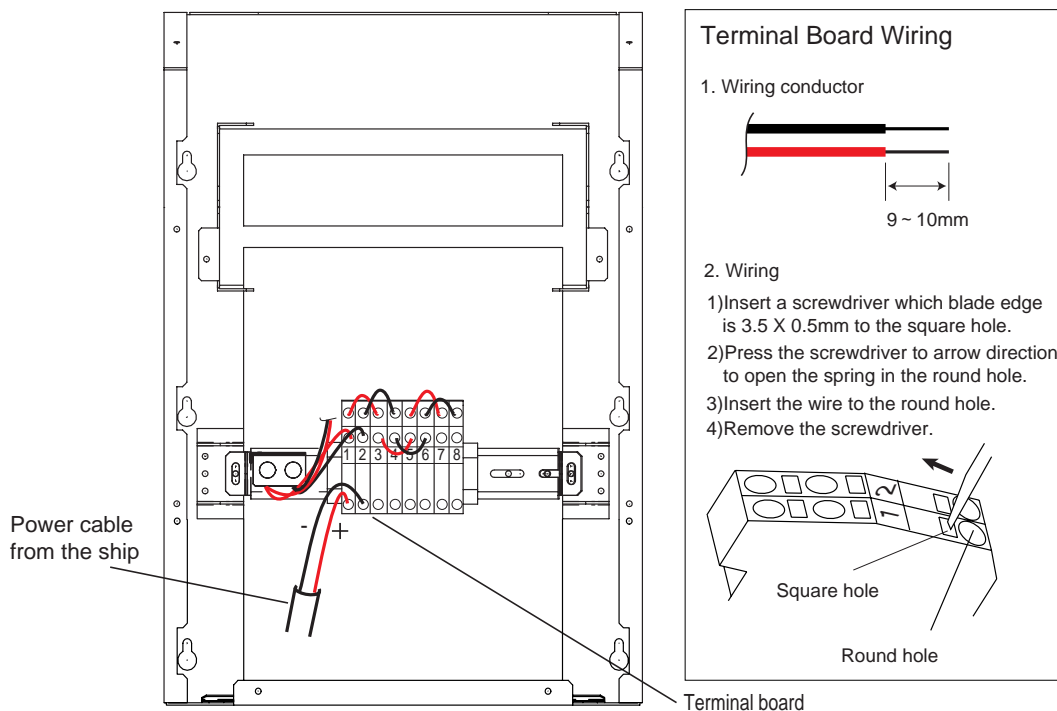
*DMC Interface IF-8820*

## 2.10 Wire connection of VHF console

1. Remove the cover assembly and printer assembly (or concealing lid) from the console. For the printer assembly, remove the cables connected at the Transceiver Unit and the terminal board.



2. Connect the power cable from the ship to the terminal block 1 (+) and 2 (-).



3. Connect the ground wire from ship to each ground terminal for the transceiver unit and the junction box.
4. Connect cables from external equipments to the junction box.
5. Fix the printer assembly (or concealing lid) and the cover assembly.

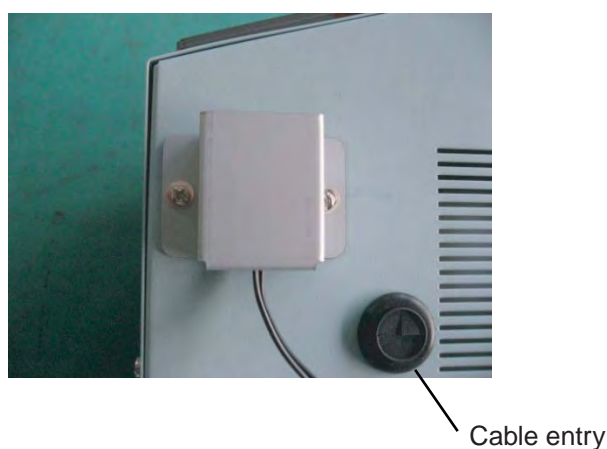
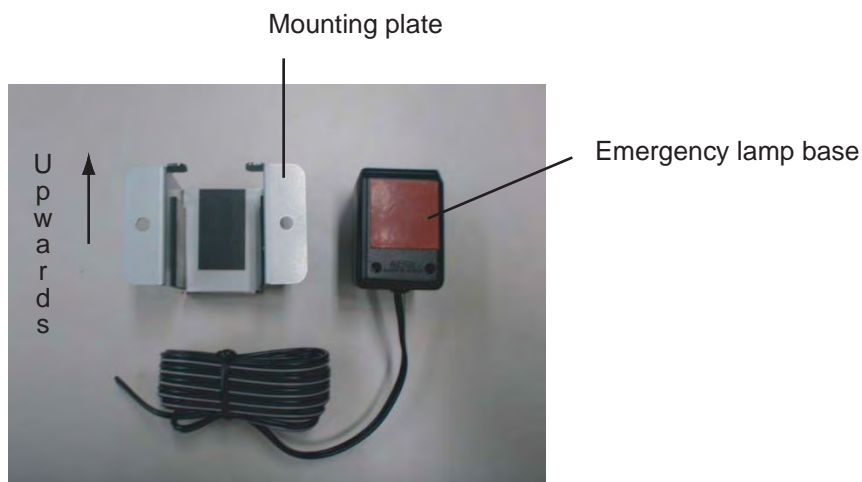
## 2. CONNECTIONS

### **Emergency Lamp (Optional)**

1. Remove the two screws from the position to place the lamp on the left or right side of the rack.



2. Insert the emergency lamp base into the fixing plate included with the kit. Affix the fixing plate to the rack using the two screws from step one as shown.



3. Insert the cable from the emergency lamp base into the cable entry of the rack. Connect the cable to terminal board, referring to the wiring diagram at the back of this manual.
4. Insert the emergency lamp connector into the lamp base.

# 3. ASSEMBLING CONSOLE KIT

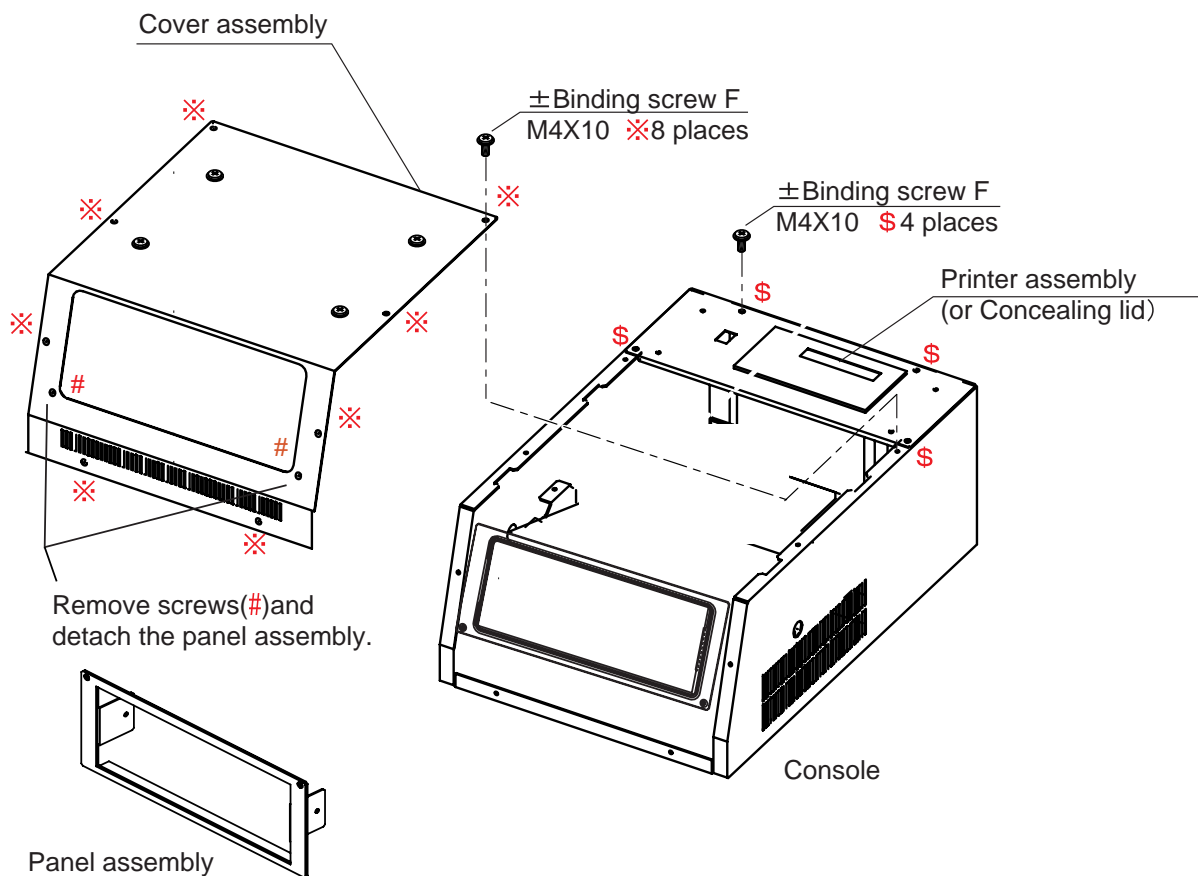
A VHF console kit is required to mount the Transceiver Unit in the field. There are two types as shown below.

## VHF console kit

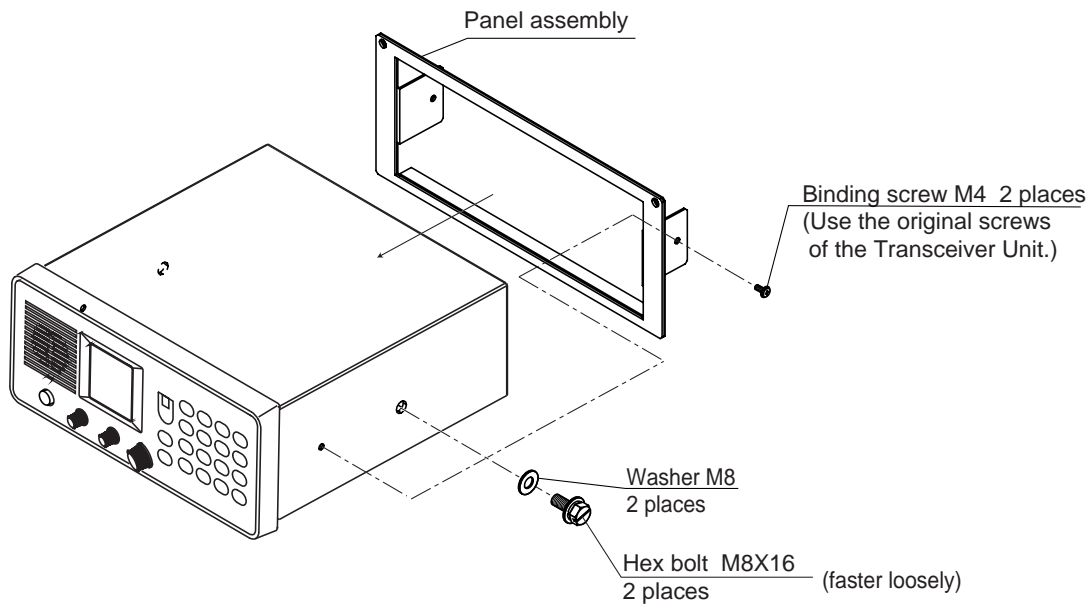
Type	Code No.	Remarks
RC-8800-N-75BG	000-054-125	Without printer
RC-8800-A-75BG	000-054-126	With printer

## Assembling the Console Kit

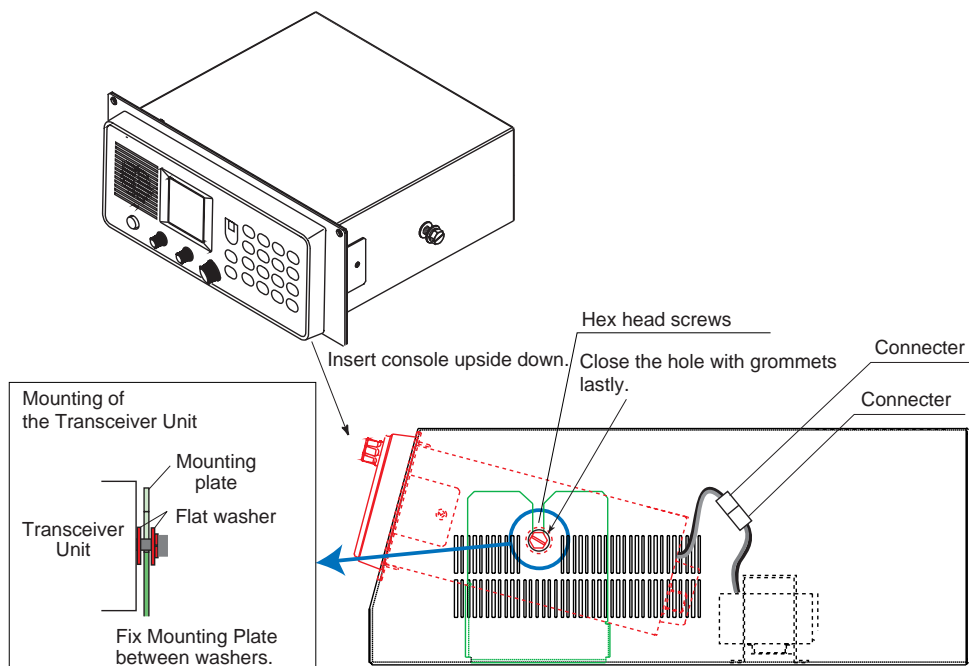
1. Remove the cover assembly, the panel assembly and the printer assembly (or concealing lid) from the console. For the printer assembly, remove the cable connected to the terminal board.



- Fix the panel assembly to the Transceiver Unit with binding screws (use original binding screws of the Transceiver Unit). Refer to the figure below.
- Screw in hex bolts M8x16 and flat washers loosely at both sides of the Transceiver Unit.

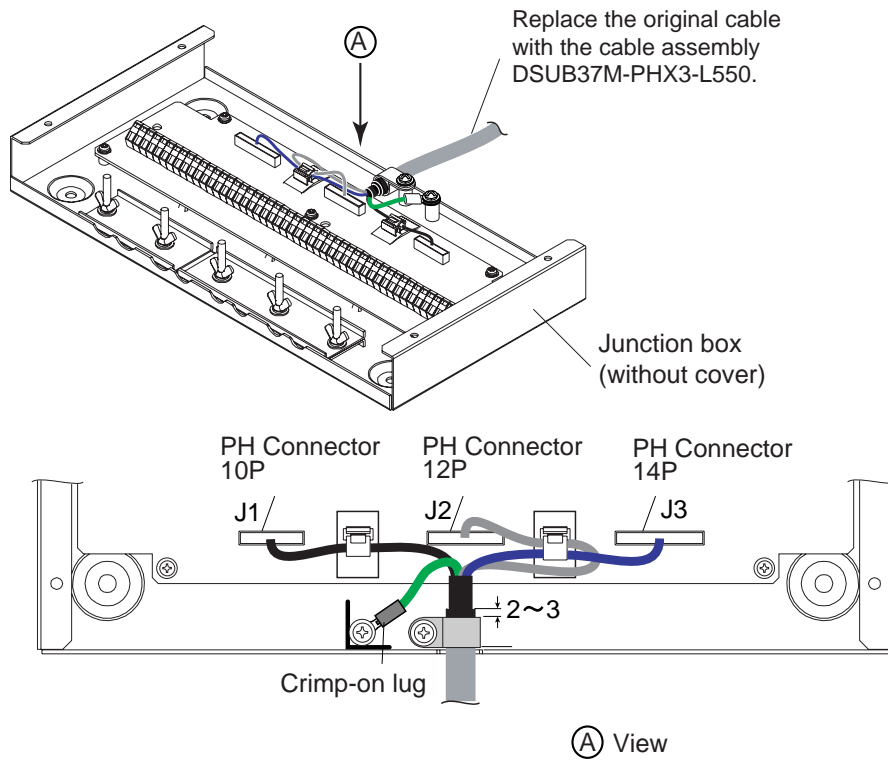


- Set the Transceiver Unit to the console, remove the grommets from the console and fix the Transceiver Unit with hex bolts using the holes formerly occupied by the grommets.

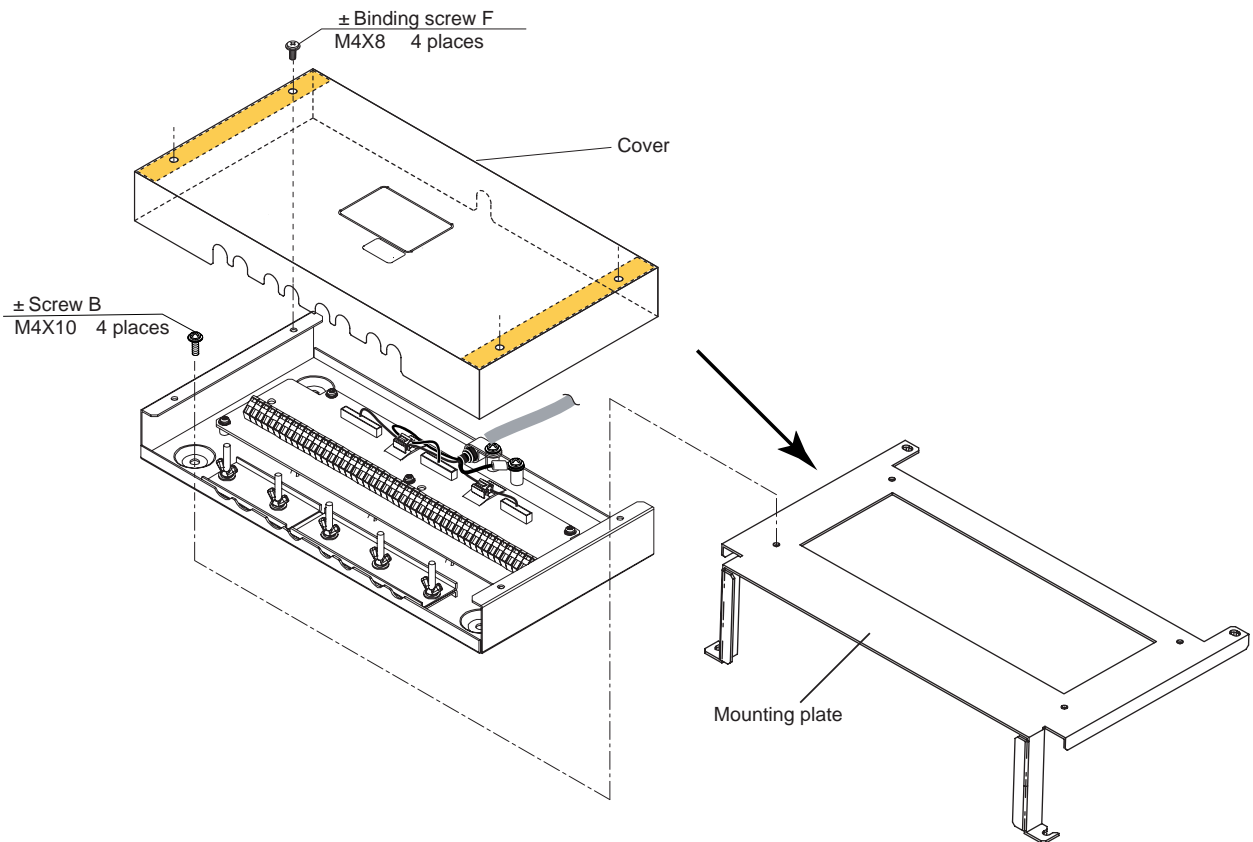


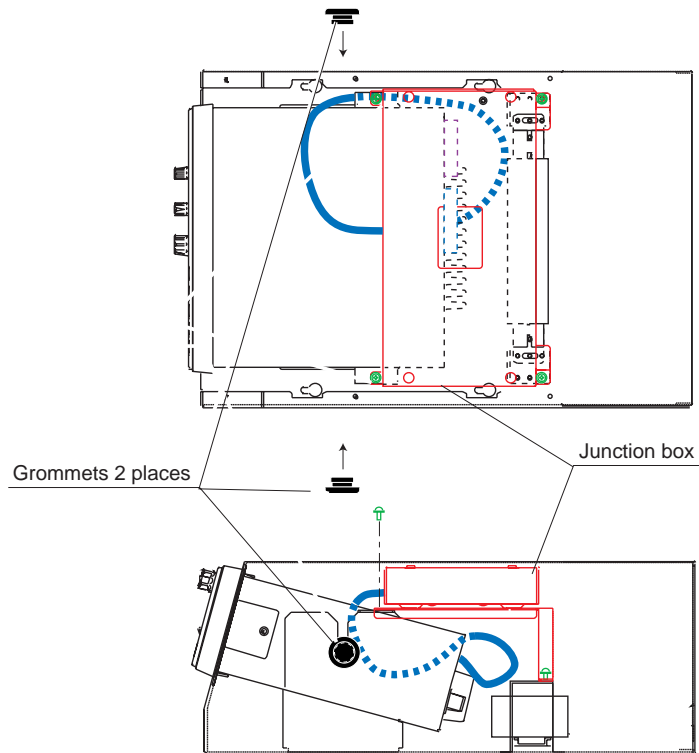
- Connect connector from the fuse to the power connector derived from the Transceiver Unit.

- Replace the cable attached to junction box with the cable (55 cm, 37-pin D sub) supplied with the console kit.

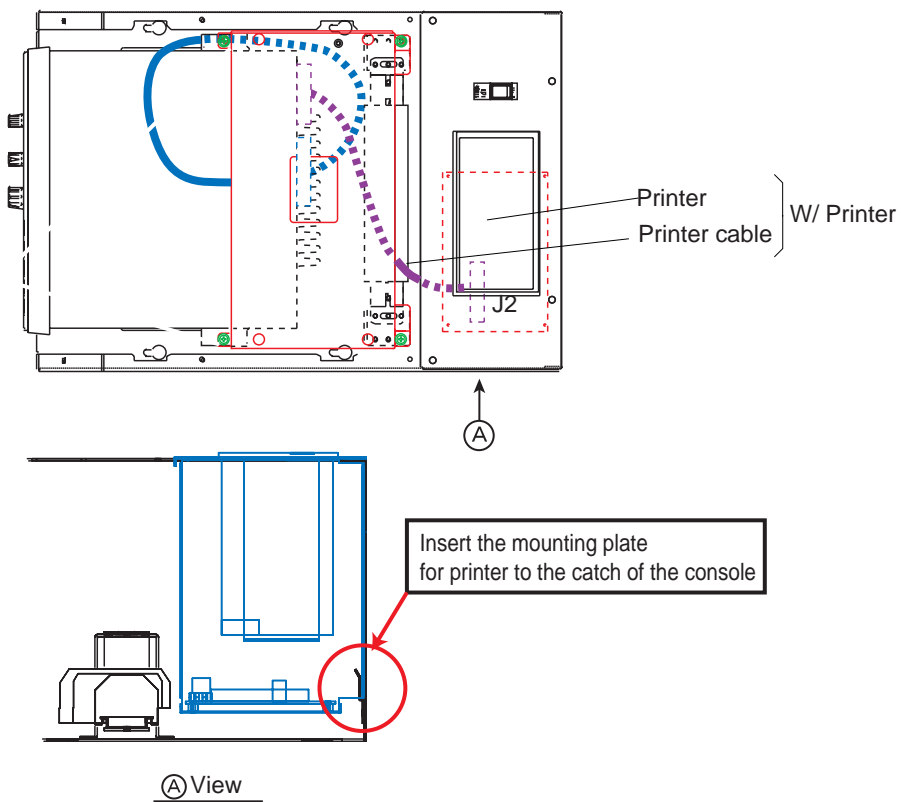


- Connect the cable (37-pin D sub) attached to the junction box to the Transceiver Unit and then mount the junction box on the console.





8. For the console w/printer, connect the printer cable for data transmission to the PRINTER port of the Transceiver Unit and fix the power cable to the terminal board as before. Then, fix the printer assembly to the console. For no printer, fasten the concealing lid to the console.



9. Fasten the cover assembly.

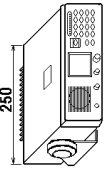

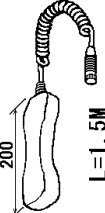
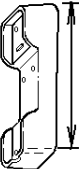



NOTE: If the console assembly is to be mounted on the hull, refer to paragraphs 1-9 and 2-10.



# PACKING LIST FM-8800 (S/D) - (J/E/F) -HS-N

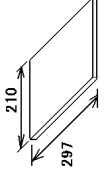
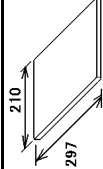
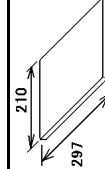
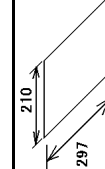
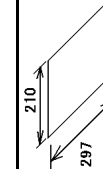
05EC-X-9851-8

1/1

NAME	OUTLINE	DESCRIPTION/CODE No.	Q'TY
<b>ユニット</b>	<b>UNIT</b>		
送受信機		FM-8800S/D	1
TRANSCEIVER UNIT		000-054-225-00 **	
<b>予備品</b>	<b>SPARE PARTS</b>	<b>SP05-05501</b>	
予備品		SP05-05501	1
SPARE PARTS		005-377-820-00	
<b>付属品</b>	<b>ACCESSORIES</b>	<b>FP05-05700</b>	
ハンドセット		HS-2003-15	1
HANDSET		000-015-996-00	
ハンドセットハンガ-組品		FP05-05510	1
BRACKET FOR HANDSET		005-951-790-00	
付属品		FP05-05511	1
ACCESSORIES		005-951-920-00	
<b>工事材料</b>	<b>INSTALLATION MATERIALS</b>	<b>CP05-09900</b>	
ケーブル組品		05S9371-2	1
CABLE ASSY.		000-151-711-12	
工事材料		CP05-09901	1
INSTALLATION MATERIALS		005-377-800-00	

コード番号末尾の[\*\*]は、選択品の代表型式/コードを表します。

CODE NUMBER ENDING WITH "\*\*" INDICATES THE CODE NUMBER OF REPRESENTATIVE MATERIAL.

NAME	OUTLINE	DESCRIPTION/CODE No.	Q'TY
<b>図書</b>	<b>DOCUMENT</b>		
取扱説明書		OM*-56420-*	1
OPERATOR'S MANUAL		000-149-929-1*	**
操作要領書		OS*-56420-*	1
OPERATOR'S GUIDE		000-149-933-1*	**
装備要領書		IM*-56420-*	1
INSTALLATION MANUAL		000-149-931-1*	**
遭難警報フロー (VHF/MF)		*52-00101-*	1
VHF/MF DISTRESS ALERT FLOW		000-809-269-1*	**
遭難通信要領書 (和/英)		TIC-56420-*	1
DISTRESS PROCEDURE		000-149-935-1*	

型式/コード番号が2段の場合、下段より上段に代わる過渡期品であり、どちらかが入っています。なお、品質は変わりません。

TWO TYPES AND CODES MAY BE LISTED FOR AN ITEM. THE LOWER PRODUCT MAY BE SHIPPED IN PLACE OF THE UPPER PRODUCT. QUALITY IS THE SAME.

(略図の寸法は、参考値です。DIMENSIONS IN DRAWING FOR REFERENCE ONLY.)

C5642-Z01-H

# PACKING LIST FM-8800 (S/D) - (J/E/F) - HS-A / (-HK)

05EC-X-9856-8

1/1

NAME	OUTLINE	DESCRIPTION/CODE No.	Q'TY
<b>ユニット</b>			
送受信機		FM-8800S/D	1
接続箱		000-054-225-00 **	1
JUNCTION BOX		IF-8810	1
		000-054-219-00	
<b>予備品</b>			
予備品		SP05-05501	1
SPARE PARTS		005-377-820-00	
<b>付属品</b>			
<b>ACCESSORIES</b>			
ハンドセット		HS-2003-15	1
HANDSET		000-015-996-00	
ハンドセットハンガ-組品		FP05-05510	1
BRACKET FOR HANDSET		005-951-790-00	
付属品		FP05-05511	1
ACCESSORIES		005-951-920-00	
<b>工事材料</b>			
<b>INSTALLATION MATERIALS</b>			
ケーブル組品		05S9371-2	1
CABLE ASSY.		000-151-711-12	

コード番号末尾の[\*\*]は、選択品の代表コードを表します。  
CODE NUMBER ENDING WITH "\*\*" INDICATES THE CODE NUMBER OF REPRESENTATIVE MATERIAL.

NAME	OUTLINE	DESCRIPTION/CODE No.	Q'TY
<b>工事材料</b>			
工事材料		CP05-09901	1
INSTALLATION MATERIALS		005-377-800-00	
<b>工事材料</b>			
<b>INSTALLATION MATERIALS</b>			
工事材料		CP05-08701	1
INSTALLATION MATERIALS		005-949-280-00	
<b>図書</b>			
<b>DOCUMENT</b>			
取扱説明書		OM*-56420-*	1
OPERATOR'S MANUAL		000-149-929-1*	**
操作要領書		OS*-56420-*	1
OPERATOR'S GUIDE		000-149-933-1*	**
装備要領書		IM*-56420-*	1
INSTALLATION MANUAL		000-149-931-1*	**
遭難警報フロー (VHF/MF)		*52-00101-*	1
VHF/MF DISTRESS ALERT FLOW		000-809-269-1*	**
遭難通信要領書 (和/英)		TIC-56420-*	1
DISTRESS PROCEDURE		000-149-935-1*	

型式/コード番号が2段の場合、下段より上段に代わる通達期品であり、どちらかが入っています。なお、品質は変わりません。  
TWO TYPES AND CODES MAY BE LISTED FOR AN ITEM. THE LOWER PRODUCT MAY BE SHIPPED IN PLACE OF THE UPPER PRODUCT. QUALITY IS THE SAME.

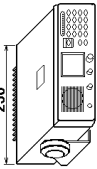

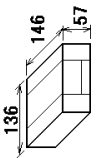


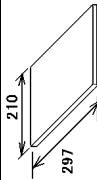
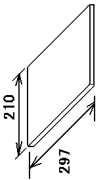
(略図の寸法は、参考値です。DIMENSIONS IN DRAWING FOR REFERENCE ONLY.)

# PACKING LIST

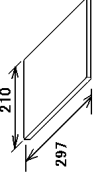
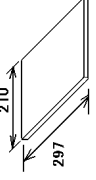
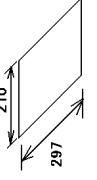
FM-8800 (S/D) - (E/F) - MIC-N

05EC-X-9858-5

1/1

NAME	OUTLINE	DESCRIPTION/CODE No.	Q'TY
<b>ユニット</b>			
送受信機		FM-8800S/D	1
TRANSCIVER UNIT		000-054-225-00 **	
<b>予備品</b>			
予備品		SP05-05501	1
SPARE PARTS		005-377-820-00	
<b>付属品</b>			
<b>ACCESSORIES</b>			
マイクロホン箱詰品		DM-2003-F	1
MICROPHONE		005-377-760-00	
<b>工事材料</b>			
<b>INSTALLATION MATERIALS</b>			
ケーブル組品		05S9371-2	1
CABLE ASSY.		000-151-711-12	
工事材料		CP05-09901	1
INSTALLATION MATERIALS		005-377-800-00	
<b>図書</b>			
<b>DOCUMENT</b>			
取扱説明書(英)		OME-56420-*	1
OPERATOR'S MANUAL		000-149-930-1*	
操作要領書(英)		OSE-56420-*	1
OPERATOR'S GUIDE		000-149-934-1*	

コード番号末尾の[\*\*]は、選択品の代表コードを表します。  
CODE NUMBER ENDING WITH "\*\*" INDICATES THE CODE NUMBER OF REPRESENTATIVE MATERIAL.

NAME	OUTLINE	DESCRIPTION/CODE No.	Q'TY
装備要領書(英)		IME-56420-*	1
INSTALLATION MANUAL		000-149-932-1*	
遭難警報フロ- (VHF/MF) (英)		E52-00101-*	1
DISTRESS ALERT CHART (VHF/MF)		000-809-270-1*	
遭難通信要領書 (和/英)		TIC-56420-*	1
DISTRESS PROCEDURE		000-149-935-1*	

型式/コード番号が2段の場合、下段より上段に代わる過渡期品であり、どちらかが入っています。なお、品質は変わりません。

TWO TYPES AND CODES MAY BE LISTED FOR AN ITEM. THE LOWER PRODUCT MAY BE SHIPPED IN PLACE OF THE UPPER PRODUCT. QUALITY IS THE SAME.

(略図の寸法は、参考値です。DIMENSIONS IN DRAWING FOR REFERENCE ONLY.)

# PACKING LIST FM-8800 (S/D) - (E/F) - MIC-A

05EC-X-9859-6

1/1

NAME	OUTLINE	DESCRIPTION/CODE No.	Q'TY
<b>ユニット</b>			
接続箱 JUNCTION BOX		IF-8810 000-054-219-00	1
送受信機 TRANSCEIVER UNIT		FM-8800S/D 000-054-225-00 **	1
<b>予備品</b>			
予備品 SPARE PARTS		SP05-05501 005-377-820-00	1
<b>付属品</b>			
マイクロホン箱詰品 MICROPHONE		DM-2003-F 005-377-760-00	1
<b>工事材料</b>			
<b>INSTALLATION MATERIALS</b>			
ケーブル組品 CABLE ASSY.		05S9371-2 000-151-711-12	1
工事材料 INSTALLATION MATERIALS		CP05-09901 005-377-800-00	1
<b>工事材料</b>			
<b>INSTALLATION MATERIALS</b>			
工事材料 INSTALLATION MATERIALS		CP05-08701 005-949-280-00	1

コード番号末尾の[\*\*]は、選用品の代表コードを表します。  
CODE NUMBER ENDING WITH "\*\*" INDICATES THE CODE NUMBER OF REPRESENTATIVE MATERIAL.

NAME	OUTLINE	DESCRIPTION/CODE No.	Q'TY
<b>図書</b>			
取扱説明書(英) OPERATOR'S MANUAL		OME-56420-* 000-149-930-1*	1
操作要領書(英) OPERATOR'S GUIDE		OSE-56420-* 000-149-934-1*	1
装備要領書(英) INSTALLATION MANUAL		IME-56420-* 000-149-932-1*	1
遭難警報フロー(VHF/MF)(英) DISTRESS ALERT CHART (VHF/MF)		E52-00101-* 000-809-270-1*	1
遭難通信要領書(和/英) DISTRESS PROCEDURE		TIC-56420-* 000-149-935-1*	1

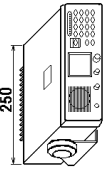

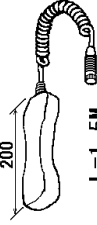
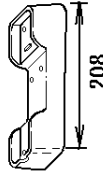



型式/コード番号が2段の場合、下段より上段に代わる過渡期品であり、どちらが入っています。なお、品質は変わりません。  
TWO TYPES AND CODES MAY BE LISTED FOR AN ITEM. THE LOWER PRODUCT MAY BE SHIPPED IN PLACE OF THE UPPER PRODUCT. QUALITY IS THE SAME.

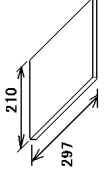
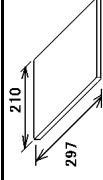
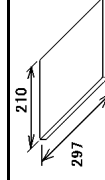
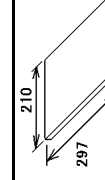
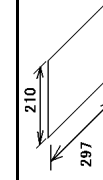
(略図の寸法は、参考値です。DIMENSIONS IN DRAWING FOR REFERENCE ONLY.)

# PACKING LIST FM-8800S-R-HS-N

05EC-X-9864-3

1/1

NAME	OUTLINE	DESCRIPTION/CODE No.	Q'TY
<b>ユニット</b>	<b>UNIT</b>		
送受信機		FM-8800S-R	1
TRANSCEIVER UNIT		000-054-404-00	
<b>予備品</b>	<b>SPARE PARTS</b>	<b>SP05-05501</b>	<b>1</b>
予備品		SP05-05501	1
SPARE PARTS		005-377-820-00	
<b>付属品</b>	<b>ACCESSORIES</b>	<b>FP05-05700</b>	<b>1</b>
ハンドセット		HS-2003-15	1
HANDSET	L=1.5M	000-015-996-00	
ハンドセットハンガ-組品		FP05-05510	1
BRACKET FOR HANDSET	57 208	005-951-790-00	
付属品		FP05-05511	1
ACCESSORIES		005-951-920-00	
<b>工事材料</b>	<b>INSTALLATION MATERIALS</b>	<b>CP05-09900</b>	<b>1</b>
ケーブル組品		05S9371-2	1
CABLE ASSY.	L=3M	000-151-711-12	
工事材料		CP05-09901	1
INSTALLATION MATERIALS		005-377-800-00	

NAME	OUTLINE	DESCRIPTION/CODE No.	Q'TY
<b>図書</b>	<b>DOCUMENT</b>		
取扱説明書(英)		OME-56421-*	1
OPERATOR'S MANUAL		000-161-430-1*	
操作要領書(英)		OSE-56420-*	1
OPERATOR'S GUIDE		000-149-934-1*	
装備要領書(英)		IME-56420-*	1
INSTALLATION MANUAL		000-149-932-1*	
遭難警報フロー(VHF/MF)(英)		E52-00101-*	1
DISTRESS ALERT CHART(VHFME)		000-809-270-1*	
遭難通信要領書(和/英)		TIC-56420-*	1
DISTRESS PROCEDURE		000-149-935-1*	

(略図の寸法は、参考値です。DIMENSIONS IN DRAWING FOR REFERENCE ONLY.)

型式/コード番号が2段の場合、下段より上段に代わる過渡期品であり、どちらが入っています。なお、品質は変わりません。  
TWO TYPES AND CODES MAY BE LISTED FOR AN ITEM. THE LOWER PRODUCT MAY BE SHIPPED IN PLACE OF THE UPPER PRODUCT. QUALITY IS THE SAME.

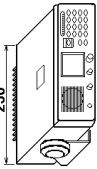

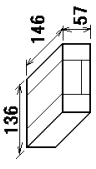


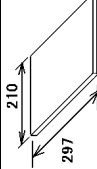
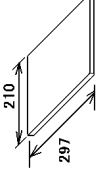
A-5

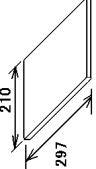
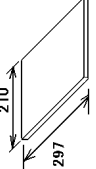
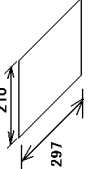
C5643-Z01-D

# PACKING LIST FM-8800S-R-MIC-N

05EC-X-9865-2

1/1

NAME	OUTLINE	DESCRIPTION/CODE No.	Q'TY
<b>ユニット</b>			
送受信機		FM-8800S-R	1
TRANSCIVER UNIT		000-054-404-00	
<b>予備品</b>			
予備品		SP05-05501	1
SPARE PARTS		005-377-820-00	
<b>付属品</b>			
マイクロホン箱詰品		DM-2003-F	1
MICROPHONE		005-377-760-00	
<b>工事材料</b>			
<b>INSTALLATION MATERIALS</b>			
ケーブル組品		05S9371-2	1
CABLE ASSY.		000-151-711-12	
工事材料		CP05-09901	1
INSTALLATION MATERIALS		005-377-800-00	
<b>図書</b>			
<b>DOCUMENT</b>			
取扱説明書		OME-56421-*	1
OPERATOR'S MANUAL		000-161-430-1*	
操作要領書(英)		OSE-56420-*	1
OPERATOR'S GUIDE		000-149-934-1*	

NAME	OUTLINE	DESCRIPTION/CODE No.	Q'TY
装備要領書(英)		IME-56420-*	1
INSTALLATION MANUAL		000-149-932-1*	
遭難警報フロ-(VHF/MF)(英)		E52-00101-*	1
DISTRESS ALERT CHART(VHF/MF)		000-809-270-1*	
遭難通信要領書(和/英)		TIC-56420-*	1
DISTRESS PROCEDURE		000-149-935-1*	

(略図の寸法は、参考値です。DIMENSIONS IN DRAWING FOR REFERENCE ONLY.)

型式/コード番号が2段の場合、下段より上段に代わる過渡期品であり、どちらかが入っています。なお、品質は変わりません。  
TWO TYPES AND CODES MAY BE LISTED FOR AN ITEM. THE LOWER PRODUCT MAY BE SHIPPED IN PLACE OF THE UPPER PRODUCT. QUALITY IS THE SAME.

A-6

C5643-Z02-C

# PACKING LIST FM-8800S-R-HS-A

05EC-X-9866-3

1/1

NAME	OUTLINE	DESCRIPTION/CODE No.	Q'TY
ユニット			
接続箱		IF-8810	1
JUNCTION BOX		000-054-219-00	
送受信機		FM-8800S-R	1
TRANSCEIVER UNIT		000-054-404-00	

予備品	SPARE PARTS	DOCUMENT	Q'TY
予備品		取扱説明書(英)	1
SPARE PARTS		OPERATOR'S MANUAL	
		005-377-820-00	
付属品		操作要領書(英)	1
		OPERATOR'S GUIDE	
		000-149-934-1*	
ハンドセット		装備要領書(英)	1
HANDSET		INSTALLATION MANUAL	
ハンドセットハンガ-組品		遭難警報フロー(VHF/MF)(英)	1
BRACKET FOR HANDSET		DISTRESS ALERT CHART(VHF/MF)	
付属品		遭難通信要領書(和/英)	1
ACCESSORIES		DISTRESS PROCEDURE	
		000-149-935-1*	

工事材料	INSTALLATION MATERIALS	DOCUMENT	Q'TY
ケーブル組品		取扱い説明書(英)	1
CABLE ASSY.		OPERATOR'S MANUAL	
		005-377-820-00	

NAME	OUTLINE	DESCRIPTION/CODE No.	Q'TY
工事材料		CP05-09901	1
INSTALLATION MATERIALS		005-377-800-00	
工事材料			
INSTALLATION MATERIALS			
工事材料		CP05-08701	1
INSTALLATION MATERIALS		005-949-280-00	

予備品	SPARE PARTS	DOCUMENT	Q'TY
予備品		取扱説明書(英)	1
SPARE PARTS		OPERATOR'S MANUAL	
		000-161-430-1*	
付属品		操作要領書(英)	1
ACCESSORIES		OPERATOR'S GUIDE	
		000-149-932-1*	
ハンドセット		装備要領書(英)	1
HANDSET		INSTALLATION MANUAL	
ハンドセットハンガ-組品		遭難警報フロー(VHF/MF)(英)	1
BRACKET FOR HANDSET		DISTRESS ALERT CHART(VHF/MF)	
付属品		遭難通信要領書(和/英)	1
ACCESSORIES		DISTRESS PROCEDURE	
		000-149-935-1*	

工事材料	INSTALLATION MATERIALS	DOCUMENT	Q'TY
ケーブル組品		取扱い説明書(英)	1
CABLE ASSY.		OPERATOR'S MANUAL	
		005-377-820-00	

A-7

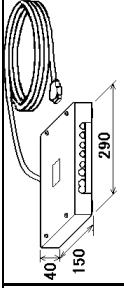
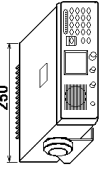

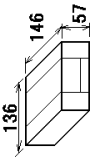



型式/コード番号が2段の場合、下段より上段に代わる過渡期品であり、どちらかが入っています。なお、品質は変わりません。  
TWO TYPES AND CODES MAY BE LISTED FOR AN ITEM. THE LOWER PRODUCT MAY BE SHIPPED IN PLACE OF THE UPPER PRODUCT. QUALITY IS THE SAME.

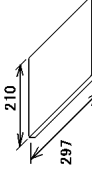
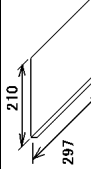
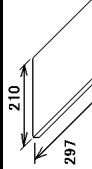
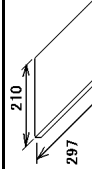
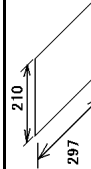
(略図の寸法は、参考値です。DIMENSIONS IN DRAWING FOR REFERENCE ONLY.)

C5643-Z03-D

# PACKING LIST FM-8800S-R-MIC-A

05EC-X-9867-2 1/1

NAME	OUTLINE	DESCRIPTION/CODE No.	Q'TY
<b>ユニット</b>			
接続箱 JUNCTION BOX		IF-8810 000-054-219-00	1
送受信機 TRANSCEIVER UNIT		FM-8800S-R 000-054-404-00	1
<b>予備品</b>			
予備品		SP05-05501 005-377-820-00	1
<b>付属品</b>			
マイクロホン箱詰品 MICROPHONE		DM-2003-F 005-377-760-00	1
<b>工事材料</b>			
<b>INSTALLATION MATERIALS</b>			
ケーブル組品 CABLE ASSY.		05S9371-2 000-151-711-12	1
工事材料 INSTALLATION MATERIALS		CP05-09901 005-377-800-00	1
<b>工事材料</b>			
<b>INSTALLATION MATERIALS</b>			
工事材料 INSTALLATION MATERIALS		CP05-08701 005-949-280-00	1

NAME	OUTLINE	DESCRIPTION/CODE No.	Q'TY
<b>図書</b>			
取扱説明書(英) OPERATOR'S MANUAL		OME-56421-* 000-161-430-1*	1
操作要領書(英) OPERATOR'S GUIDE		OSE-56420-* 000-149-934-1*	1
装備要領書(英) INSTALLATION MANUAL		IME-56420-* 000-149-932-1*	1
遭難警報フロー(VHF/MF)(英) DISTRESS ALERT CHART(VHFME)		E52-00101-* 000-809-270-1*	1
遭難通信要領書(和/英) DISTRESS PROCEDURE		TIC-56420-* 000-149-935-1*	1

(略図の寸法は、参考値です。DIMENSIONS IN DRAWING FOR REFERENCE ONLY.)

型式/コード番号が2段の場合、下段より上段に代わる過渡期品であり、どちらが入っています。なお、品質は変わりません。  
TWO TYPES AND CODES MAY BE LISTED FOR AN ITEM. THE LOWER PRODUCT MAY BE SHIPPED IN PLACE OF THE UPPER PRODUCT. QUALITY IS THE SAME.



# PACKING LIST FM-8800S-R-MIC-A

05EC-X-9867-2 1/1

NAME	OUTLINE	DESCRIPTION/CODE No.	Q'TY
<b>ユニット</b>			
接続箱 JUNCTION BOX		IF-8810 000-054-219-00	1
送受信機 TRANSCEIVER UNIT		FM-8800S-R 000-054-404-00	1
<b>予備品 SPARE PARTS SP05-05501</b>			
予備品 SPARE PARTS		SP05-05501 005-377-820-00	1
<b>付属品 ACCESSORIES FP05-05710</b>			
マイクロホン箱詰品 MICROPHONE		DM-2003-F 005-377-760-00	1
<b>工事材料 INSTALLATION MATERIALS CP05-09900</b>			
ケーブル組品 CABLE ASSY.		05S9371-2 000-151-711-12	1
工事材料 INSTALLATION MATERIALS		CP05-09901 005-377-800-00	1
<b>工事材料 INSTALLATION MATERIALS CP05-08701</b>			
工事材料 INSTALLATION MATERIALS		CP05-08701 005-949-280-00	1

NAME	OUTLINE	DESCRIPTION/CODE No.	Q'TY
<b>図書 DOCUMENT</b>			
取扱説明書(英) OPERATOR'S MANUAL		OME-56421-* 000-161-430-1*	1
操作要領書(英) OPERATOR'S GUIDE		OSE-56420-* 000-149-934-1*	1
装備要領書(英) INSTALLATION MANUAL		IME-56420-* 000-149-932-1*	1
遭難警報フロー(VHF/MF)(英) DISTRESS ALERT CHART(VHF/MF)		E52-00101-* 000-809-270-1*	1
遭難通信要領書(和/英) DISTRESS PROCEDURE		TIC-56420-* 000-149-935-1*	1

(略図の寸法は、参考値です。DIMENSIONS IN DRAWING FOR REFERENCE ONLY.)

型式/コード番号が2段の場合、下段より上段に代わる過渡期品であり、どちらが入っています。なお、品質は変わりません。  
TWO TYPES AND CODES MAY BE LISTED FOR AN ITEM. THE LOWER PRODUCT MAY BE SHIPPED IN PLACE OF THE UPPER PRODUCT. QUALITY IS THE SAME.

A-9

C5643-Z04-C

# PACKING LIST

05EC-X-9861 -5 1/1

RC-8800-\*/A-\*/HK

A-10

NAME UNIT	OUTLINE	DESCRIPTION/CODE No.	QTY
<b>ユニット</b>			
VHFコンソール VHF CONSOLE		RC-8800-*/A 000-054-240-00**	1
<b>付属品 ACCESSORIES</b>			
ハンドセット HANDSET		HS-2003-15 000-015-996-00	1
ハンドセット用組品 BRACKET FOR HANDSET		FP05-05510 005-951-790-00	1
<b>工事材料 INSTALLATION MATERIALS</b>			
工事材料 INSTALLATION MATERIALS		CP05-10201 005-371-850-00	1
<b>図書 DOCUMENT</b>			
取扱説明書 OPERATOR'S MANUAL		OM*-56420-* 000-149-929-1* **	1
操作要領書 OPERATOR'S GUIDE		OS*-56420-* 000-149-933-1* **	1
整備要領書 INSTALLATION MANUAL		IM*-56420-* 000-149-931-1* **	1
運搬要領書(和/英) VHF/MF DISTRESS ALERT FLOW		*52-00101-* 000-809-269-1* **	1
運搬通信要領書(和/英) DISTRESS PROCEDURE		TIC-56420-* 000-149-935-1*	1

コード番号末尾の[\*\*]は、選択品の代表コードを表します。  
CODE NUMBER ENDING WITH "\*\*" INDICATES THE CODE NUMBER OF REPRESENTATIVE MATERIAL.

型式/コード番号が二段の場合、下段より上段に代わる過渡期品であり、どちらかが入っています。なお、品質は変わりません。  
TWO TYPES AND CODES MAY BE LISTED FOR AN ITEM. THE LOWER PRODUCT MAY BE SHIPPED IN PLACE OF THE UPPER PRODUCT. QUALITY IS THE SAME.  
(略図の寸法は、参考値です。DIMENSIONS IN DRAWING FOR REFERENCE ONLY.)

C5642-Z11-F

# PACKING LIST

05EC-X-9860 -1 1/1

RC-8800-N-75BG/-A-75BG

A-11

NAME UNIT	OUTLINE	DESCRIPTION/CODE No.	QTY
<b>ユニット</b>			
コンソール組品 CONSOLE KIT		RC-8800-N-75BG/-A-75BG 005-371-650-00**	1
<b>工事材料 INSTALLATION MATERIALS</b>			
工事材料 INSTALLATION MATERIALS		CP05-10001 005-371-670-00	1

コード番号末尾の[\*\*]は、選択品の代表コードを表します。  
CODE NUMBER ENDING WITH "\*\*" INDICATES THE CODE NUMBER OF REPRESENTATIVE MATERIAL.

型式/コード番号が二段の場合、下段より上段に代わる過渡期品であり、どちらかが入っています。なお、品質は変わりません。  
TWO TYPES AND CODES MAY BE LISTED FOR AN ITEM. THE LOWER PRODUCT MAY BE SHIPPED IN PLACE OF THE UPPER PRODUCT. QUALITY IS THE SAME.  
(略図の寸法は、参考値です。DIMENSIONS IN DRAWING FOR REFERENCE ONLY.)

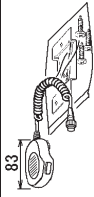
C5642-Z10-B

# PACKING LIST

DM-2003-F

05EC-X-9857 -4 1/1

A-12

NAME	OUTLINE	DESCRIPTION/CODE No.	Q'TY
マイクセット MICROPHONE		DM-2003 000-150-016-11	1

型式/コート番号が2段の場合、下段より上段に代わる過渡期品であり、どちらかが入っています。なお、品質は変わりません。  
TWO TYPES AND CODES MAY BE LISTED FOR AN ITEM. THE LOWER PRODUCT MAY BE SHIPPED IN PLACE OF THE UPPER PRODUCT. QUALITY IS THE SAME.

(略図の寸法は、参考値です。 DIMENSIONS IN DRAWING FOR REFERENCE ONLY.)

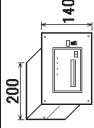
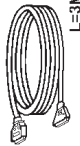

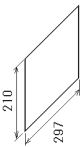
C5642-707-E

# PACKING LIST

PP-8800

05EC-X-9862 -5 1/1

A-13

NAME	UNIT	DESCRIPTION/CODE No.	Q'TY
ユニット プリンタ PRINTER UNIT		PP-8800 000-054-127-00	1
<b>工事材料</b> ケーブル組品 INSTALLATION MATERIALS			
CABLE ASSEMBLY		57FE-17JE-BC10PL3000 000-174-473-10	1
電源ケーブル用 POWER CABLE		VG1F0.75X20 *3M* 001-247-720-00	1
<b>図書</b> DOCUMENT			
外寸図 (和英) OUTLINE DRAWING (JP/EN)		C5642-G15-* 000-151-762-0*	1

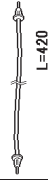
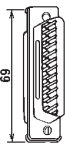

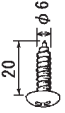
型式/コート番号が2段の場合、下段より上段に代わる過渡期品であり、どちらかが入っています。なお、品質は変わりません。  
TWO TYPES AND CODES MAY BE LISTED FOR AN ITEM. THE LOWER PRODUCT MAY BE SHIPPED IN PLACE OF THE UPPER PRODUCT. QUALITY IS THE SAME.

(略図の寸法は、参考値です。 DIMENSIONS IN DRAWING FOR REFERENCE ONLY.)

C5642-712-F

**FURUNO**

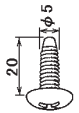
CODE NO.	001-163-530-00	05EG-X-9401-5
TYPE	CP05-09901	1/1

工事材料表		INSTALLATION MATERIALS	
番号	名称	略図	用途/備考
NO.	NAME	OUTLINE	REMARKS
1	ミニピン組品(1) MINI PIN ASSY(1)	 L=420	
		型名/規格 DESCRIPTIONS	数量 Q'TY
		L-420	1
		CODE NO. 000-165-361-10	
2	コネクタ(XM2) CONNECTOR	 69	
		XM2A-3701	1
		CODE NO. 000-160-594-10	
3	コネクタケース(XM2) HOUSING CASE	 70	
		XM2S-3712	1
		CODE NO. 000-160-599-10	
4	セルフタッピングネジ 1/2 SELF-TAPPING SCREW	 20 φ 6	
		5X20 SUS304	5
		CODE NO. 000-162-613-10	

型式/コード番号が2段の場合、下段より上段に代わる過渡期品であり、どちらかが入っています。なお、品質は変わりません。  
TWO TYPES AND CODES MAY BE LISTED FOR AN ITEM. THE LOWER PRODUCT MAY BE SHIPPED IN PLACE OF THE UPPER PRODUCT.  
QUALITY IS THE SAME.  
(略図の寸法は、参考値です。 DIMENSIONS IN DRAWING FOR REFERENCE ONLY.)

**FURUNO**

CODE NO.	005-949-280-00	05DY-X-9417-1
TYPE	CP05-08701	1/1

工事材料表		INSTALLATION MATERIALS	
番号	名称	略図	用途/備考
NO.	NAME	OUTLINE	REMARKS
1	セルフタッピングネジ 1/2 SELF-TAPPING SCREW	 20 φ 5	
		型名/規格 DESCRIPTIONS	数量 Q'TY
		5X20 SUS304	4
		CODE NO. 000-162-608-10	
		CODE NO. 000-302-081-00	


型式/コード番号が2段の場合、下段より上段に代わる過渡期品であり、どちらかが入っています。なお、品質は変わりません。  
TWO TYPES AND CODES MAY BE LISTED FOR AN ITEM. THE LOWER PRODUCT MAY BE SHIPPED IN PLACE OF THE UPPER PRODUCT.  
QUALITY IS THE SAME.  
(略図の寸法は、参考値です。 DIMENSIONS IN DRAWING FOR REFERENCE ONLY.)

**FURUNO**

CODE NO.	005-371-850-00	05EC-X-9409-1	1/1
TYPE	CP05-10201		

**工事材料表**

## INSTALLATION MATERIALS

番号 NO.	名称 NAME	略図 OUTLINE	型名/規格 DESCRIPTIONS	数量 Q'TY	用途/備考 REMARKS
1	ミニピン組品(1) MINI PIN ASSY(1)		L-420 CODE NO. 000-165-361-10	1	

**FURUNO**



CODE NO.	005-371-670-00	05EC-X-9408-2	1/1
TYPE	CP05-10001		

CONSOLE KIT

RC-8800\*

**工事材料表**

## INSTALLATION MATERIALS

番号 NO.	名称 NAME	略図 OUTLINE	型名/規格 DESCRIPTIONS	数量 Q'TY	用途/備考 REMARKS
1	ケーブル組品 CABLE ASSY.		DSUB37M-FMK3-L550 CODE NO. 000-163-297-11	1	
2	ミニピン組品(1) MINI PIN ASSY(1)		L-420 CODE NO. 000-165-361-10	1	

型式/コード番号が2取の場合、下段より上段に代わる通達部品であり、どちらが入っています。なお、品質は変わりません。  
TWO TYPES AND CODES MAY BE LISTED FOR AN ITEM. THE LOWER PRODUCT MAY BE SHIPPED IN PLACE OF THE UPPER PRODUCT.  
QUALITY IS THE SAME.  
(略図の寸法は、参考値です。 DIMENSIONS IN DRAWING FOR REFERENCE ONLY.)

FURUNO ELECTRIC CO., LTD.

C5642-M07-B

型式/コード番号が2取の場合、下段より上段に代わる通達部品であり、どちらが入っています。なお、品質は変わりません。  
TWO TYPES AND CODES MAY BE LISTED FOR AN ITEM. THE LOWER PRODUCT MAY BE SHIPPED IN PLACE OF THE UPPER PRODUCT.  
QUALITY IS THE SAME.  
(略図の寸法は、参考値です。 DIMENSIONS IN DRAWING FOR REFERENCE ONLY.)

FURUNO ELECTRIC CO., LTD.

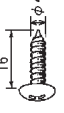
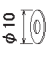
C5642-M06-C

**FURUNO**

CODE NO.	005-951-920-00	05DZ-X-9502-3	1/1
TYPE	FP05-05511		

**付属品表**

## ACCESSORIES

番号 NO.	名称 NAME	略図 OUTLINE	型名/規格 DESCRIPTIONS	数量 Q'TY	用途/備考 REMARKS
1	+トネジカヅメ 1/2 SELF TAPPING SCREW		4X16 SUB304 CODE NO. 000-162-605-10	2	
2	ワッシャー WASHER		M4 CODE NO. 000-166-234-10	2	

型式/コード番号が2段の場合、下段より上段に代わる過渡部品であり、どちらかが入っています。なお、品質は変わりません。  
TWO TYPES AND CODES MAY BE LISTED FOR AN ITEM. THE LOWER PRODUCT MAY BE SHIPPED IN PLACE OF THE UPPER PRODUCT.  
QUALITY IS THE SAME. DIMENSIONS IN DRAWING FOR REFERENCE ONLY.)  
(略図の寸法は、参考値です。)

FURUNO ELECTRIC CO., LTD.

JP

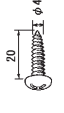
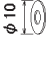
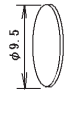
CS636-F01-D

**FURUNO**

CODE NO.	005-959-720-00	05EG-X-9502-4	1/1
TYPE	FP05-05701		

**付属品表**

## ACCESSORIES

番号 NO.	名称 NAME	略図 OUTLINE	型名/規格 DESCRIPTIONS	数量 Q'TY	用途/備考 REMARKS
1	+トネジカヅメ 1/2 SELF-TAPPING SCREW		4X20 SUB304 CODE NO. 000-166-850-10	4	
2	ワッシャー WASHER		M4 CODE NO. 000-166-234-10	4	
3	ブラインドシール BLIND SEAL N2.5		05-104-6519-0 CODE NO. 100-372-550-10	4	

型式/コード番号が2段の場合、下段より上段に代わる過渡部品であり、どちらかが入っています。なお、品質は変わりません。  
TWO TYPES AND CODES MAY BE LISTED FOR AN ITEM. THE LOWER PRODUCT MAY BE SHIPPED IN PLACE OF THE UPPER PRODUCT.  
QUALITY IS THE SAME. DIMENSIONS IN DRAWING FOR REFERENCE ONLY.)  
(略図の寸法は、参考値です。)

FURUNO ELECTRIC CO., LTD.

CS642-F01-D

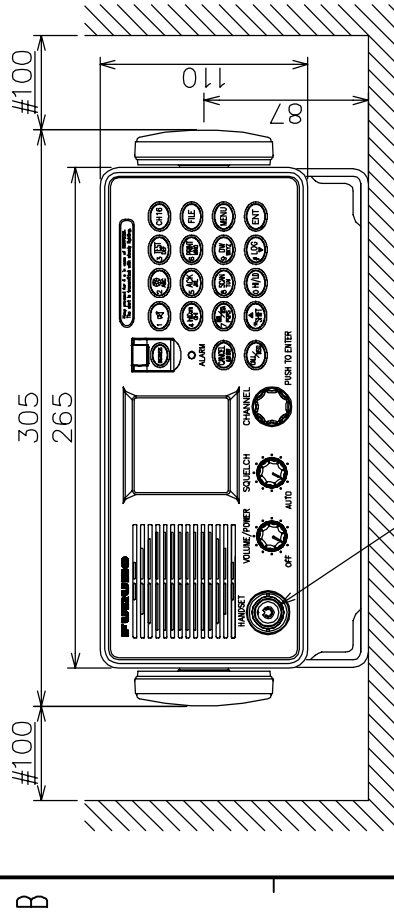
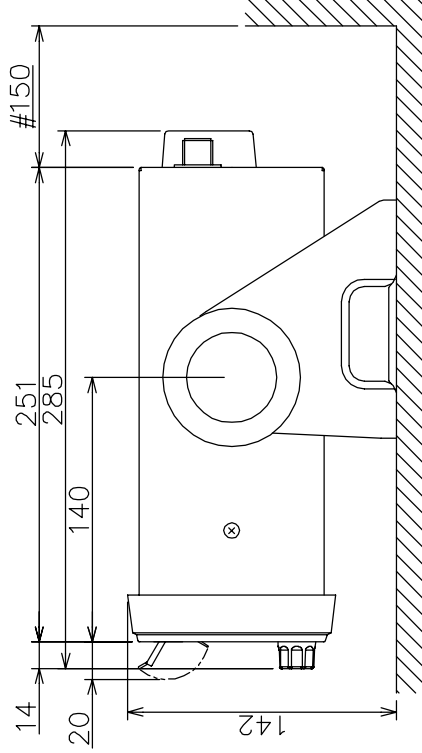
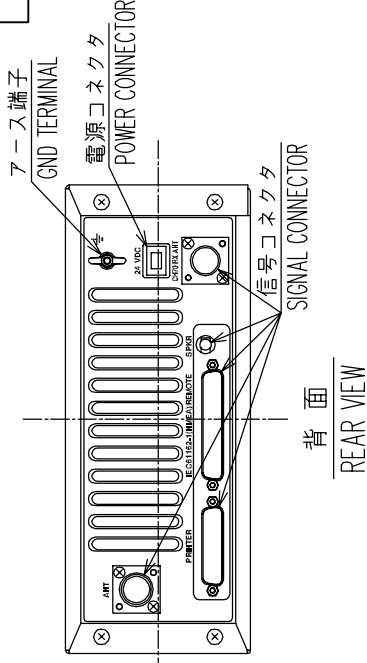
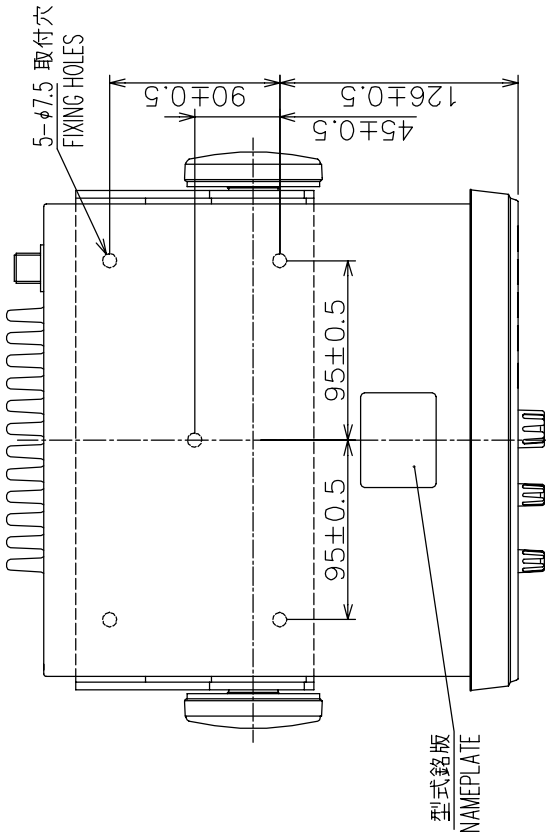


表 1 TABLE 1

寸法区分 (mm) DIMENSIONS	公差 (mm) TOLERANCE
L ≤ 50	± 1.5
50 < L ≤ 100	± 2.5
100 < L ≤ 500	± 3

表 2 TABLE 2

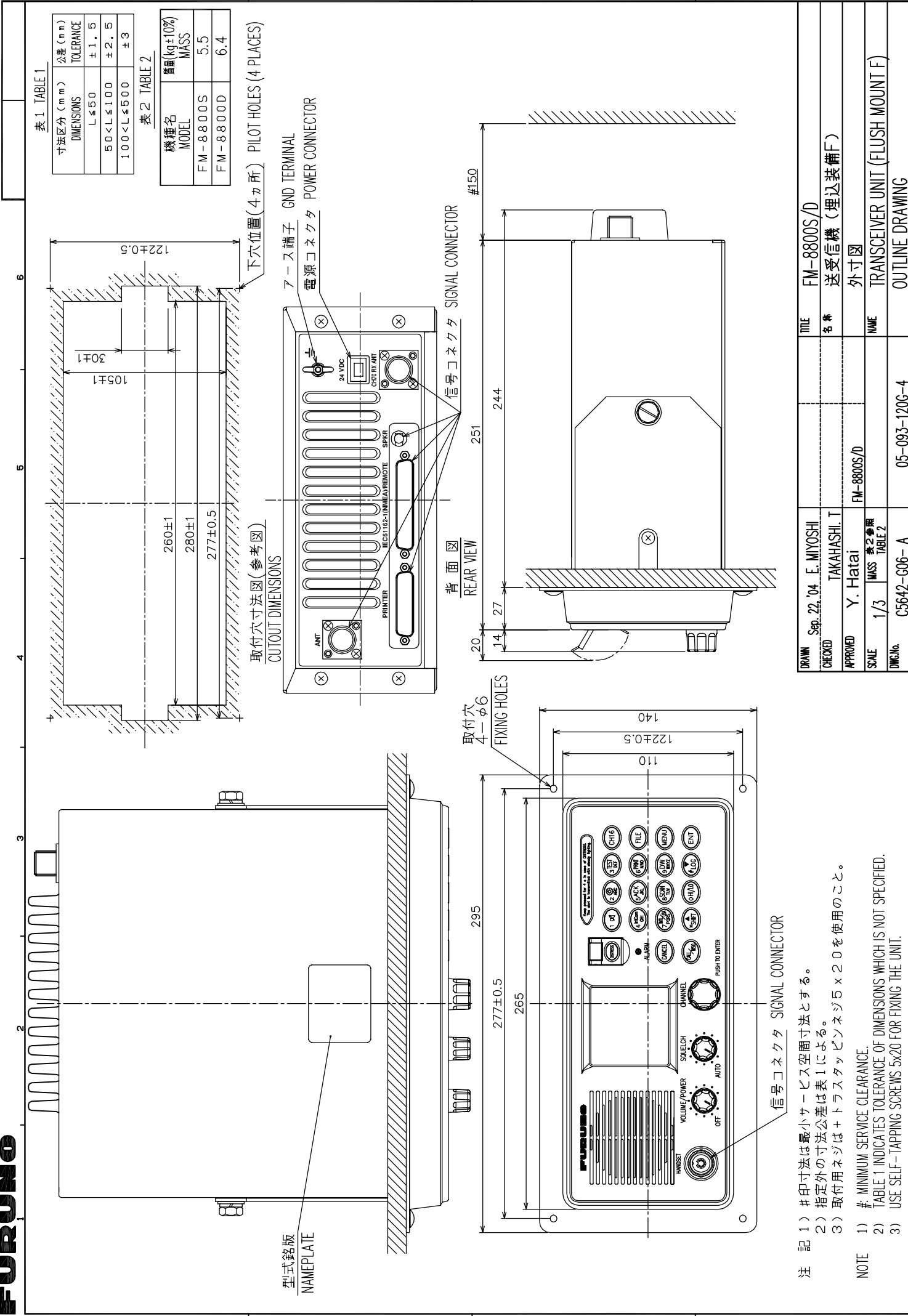
機種名 MODEL	質量 (kg±10%) MASS
FM-8800S	5.5
FM-8800D	6.4



- 注 記 1) # 印寸法は最小サービスクリアランスとする。  
 2) 指定外の寸法公差は表 1 による。  
 3) 取付用ネジは + トラスタップピンネジ 6 × 2.0 を使用のこと。
- NOTE 1. # : MINIMUM SERVICE CLEARANCE.  
 2. TABLE 1 INDICATES TOLERANCE OF DIMENSIONS WHICH IS NOT SPECIFIED.  
 3. USE SELF-TAPPING SCREWS 6x2.0 FOR FIXING THE UNIT.

DRAWN	Sep. 22, '04 E. MIYOSHI	TITLE	FM-8800S/D
CHECKED	I. TAKAHASHI	名称	送受信機 (卓上装備)
APPROVED	Y. Hatai	外寸図	
SCALE	1/4	NAME	FM-8800S/D
DWG.No.	C5642-G01-A		TRANSCIVER UNIT (TABLETOP MOUNT)
			OUTLINE DRAWING
			05-093-1006-4

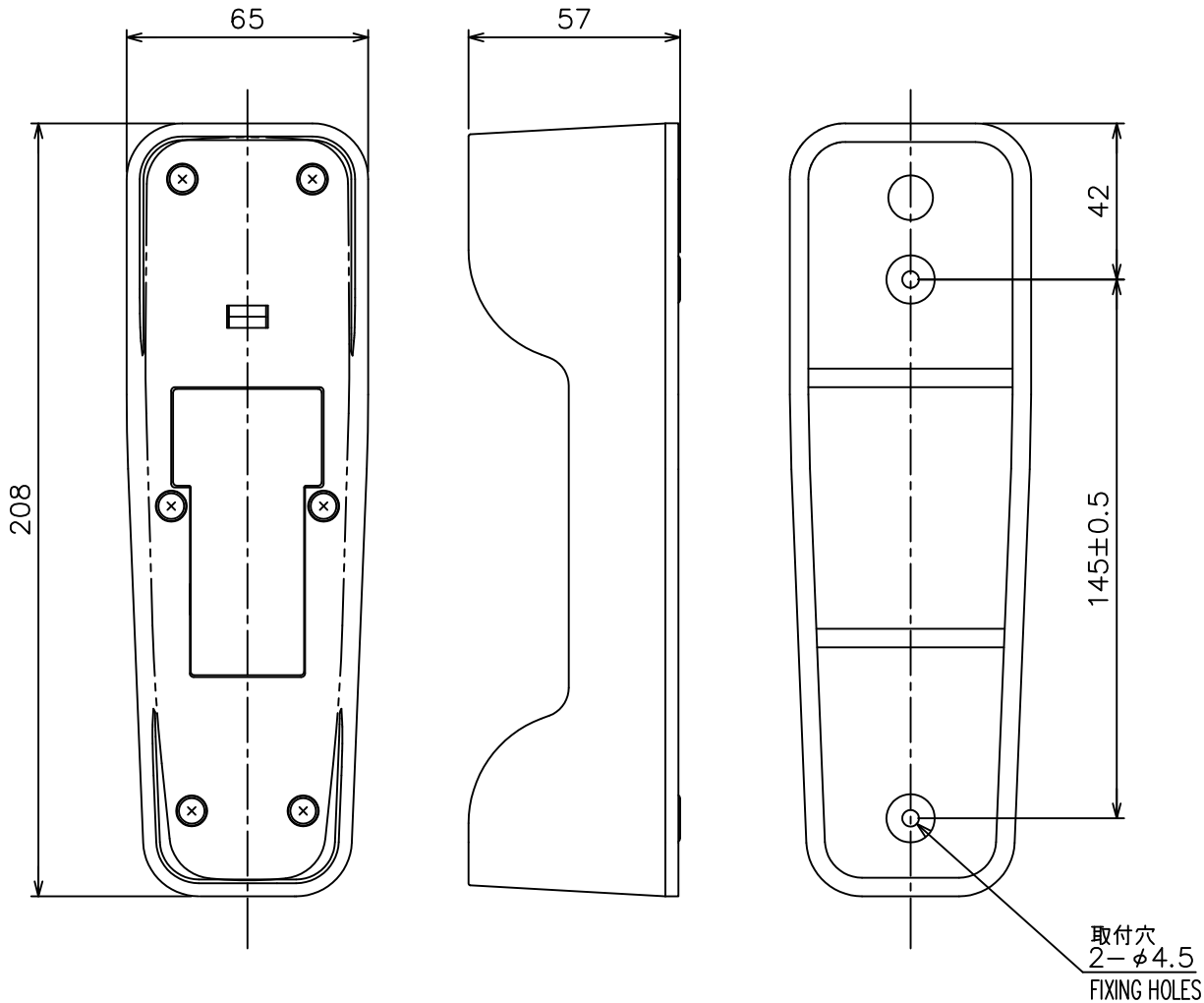




DRAWN	Sep. 22, '04	E. MIYOSHI	TITLE	FM-8800S/D
CHECKED		TAKAHASHI, T	名称	送受信機 (埋込装備)
APPROVED		Y. Hatai	外寸図	
SCALE	1/3	表2参照 TABLE 2	NAME	TRANSCIVER UNIT (FLUSH MOUNT F)
DWG. No.	C5642-G06-A	05-093-120G-4	OUTLINE DRAWING	

表 1 TABLE 1

寸法区分 (mm) DIMENSION	公差 (mm) TOLERANCE
$L \leq 50$	$\pm 1.5$
$50 < L \leq 100$	$\pm 2.5$
$100 < L \leq 500$	$\pm 3$



- 注 記 1) 指定外の寸法公差は表 1 による。  
 2) 取付用ネジは+トラスタッピンネジ呼び径4×16を使用のこと。

- NOTE 1. TABLE 1 INDICATES TOLERANCE OF DIMENSIONS WHICH IS NOT SPECIFIED.  
 2. USE TAPPING SCREWS  $\phi 4 \times 16$  FOR FIXING THE UNIT.

DRAWN	15/Mar/2016 T.YAMASAKI	TITLE	FP05-05510
CHECKED	15/Mar/2016 H.MAKI	名称	ハンドセットハンガー
APPROVED	15/Mar/2016 H.MAKI	FS-1570/2570/5070 FM-8800S/D	外寸図
SCALE	1/2	MASS	0.30 $\pm 10\%$ kg
DWG. No.	C5636-G08-C	REF. No.	05-089-401G-2
		NAME	HANDSET HANGER OUTLINE DRAWING

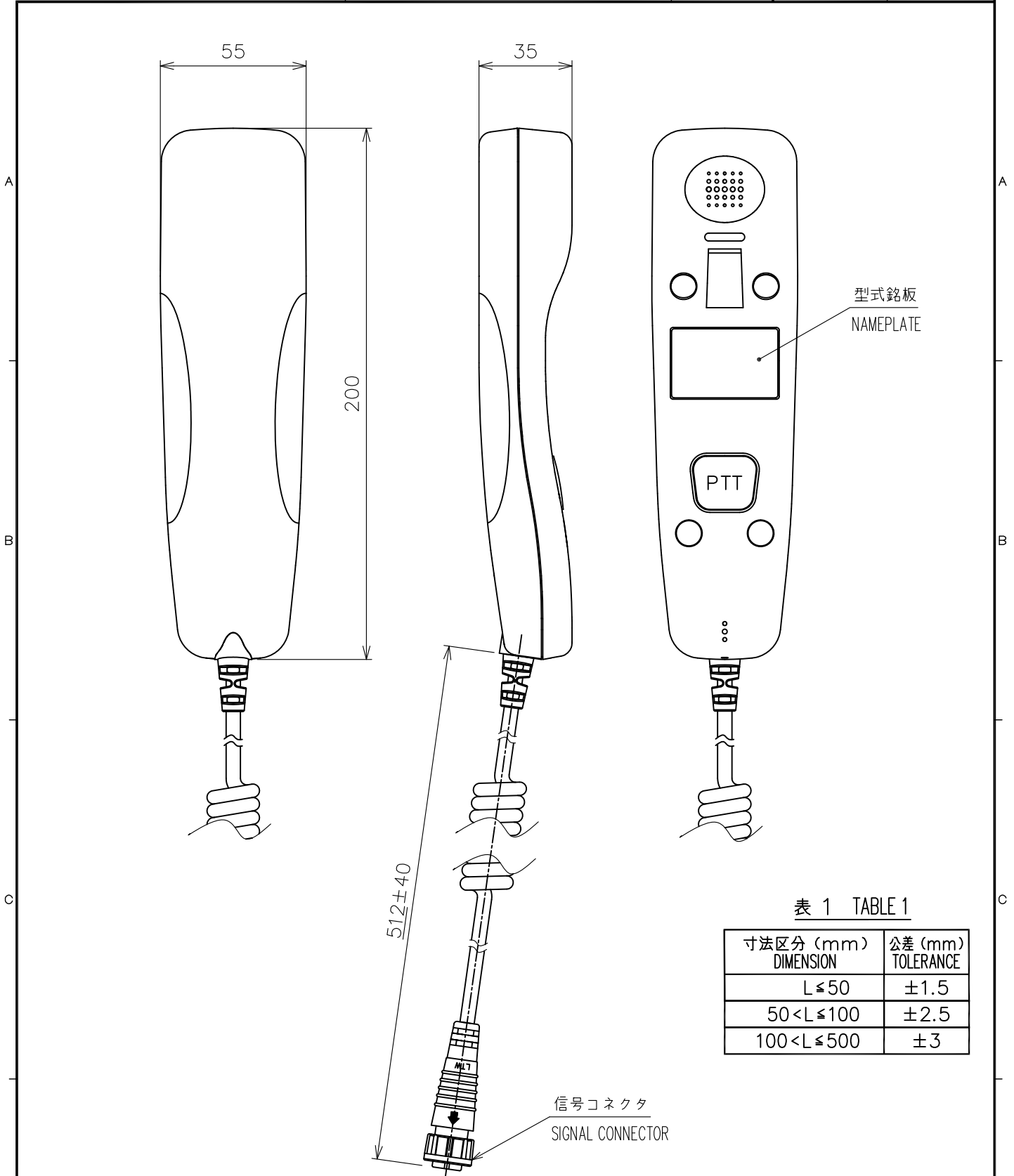


表 1 TABLE 1

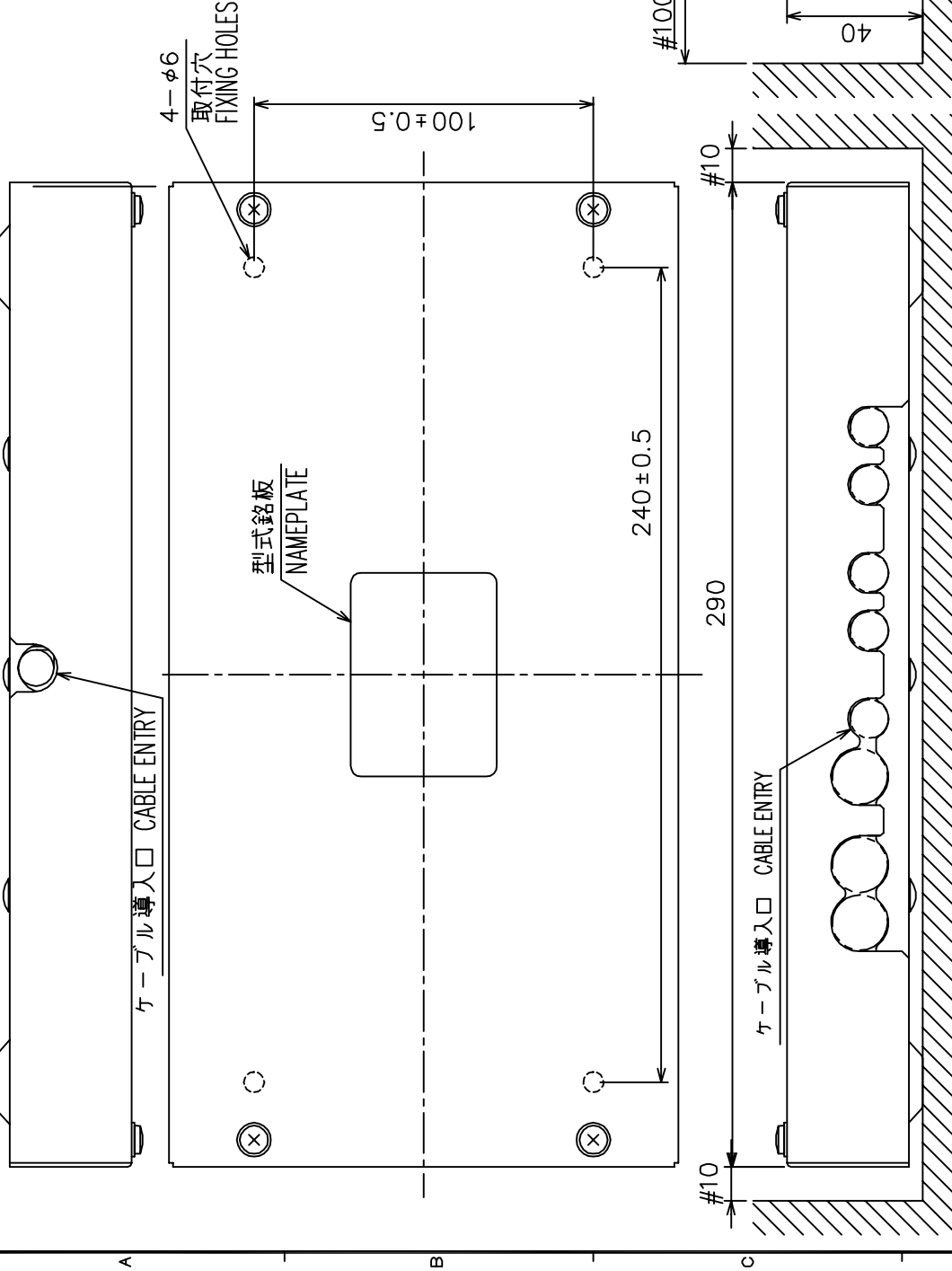
寸法区分 (mm) DIMENSION	公差 (mm) TOLERANCE
$L \leq 50$	$\pm 1.5$
$50 < L \leq 100$	$\pm 2.5$
$100 < L \leq 500$	$\pm 3$

注 記 指定外の寸法公差は表 1 による。  
 NOTE TABLE 1 INDICATES TOLERANCE OF DIMENSIONS WHICH IS NOT SPECIFIED.

DRAWN	13/Apr/2012 T.YAMASAKI	TITLE	HS-2003-15	
CHECKED	13/Apr/2012 H.MAKI	名称	ハンドセット	
APPROVED	20/Apr/2012 Y.NISHIYAMA		外寸図	
SCALE	1/2	MASS	0.20 ±10% kg	
DWG. No.	C5642-G10-D	質量はカールコードを含む。 MASS INCLUDES CABLE.	NAME	HANDSET
		REF. No.	05-093-200G-3	OUTLINE DRAWING

表 1 TABLE 1

寸法区分 (mm) DIMENSIONS	公差 (mm) TOLERANCE
$L \leq 50$	$\pm 1.5$
$50 < L \leq 100$	$\pm 2.5$
$100 < L \leq 500$	$\pm 3$



注 記 1) #印寸法は最小サービス空間寸法とする。

2) 指定外の寸法公差は表1による。

3) 取付用ネジは+トラスタップピンネジ呼び径5×20を使用のこと。

NOTE 1. #: MINIMUM SERVICE CLEARANCE.

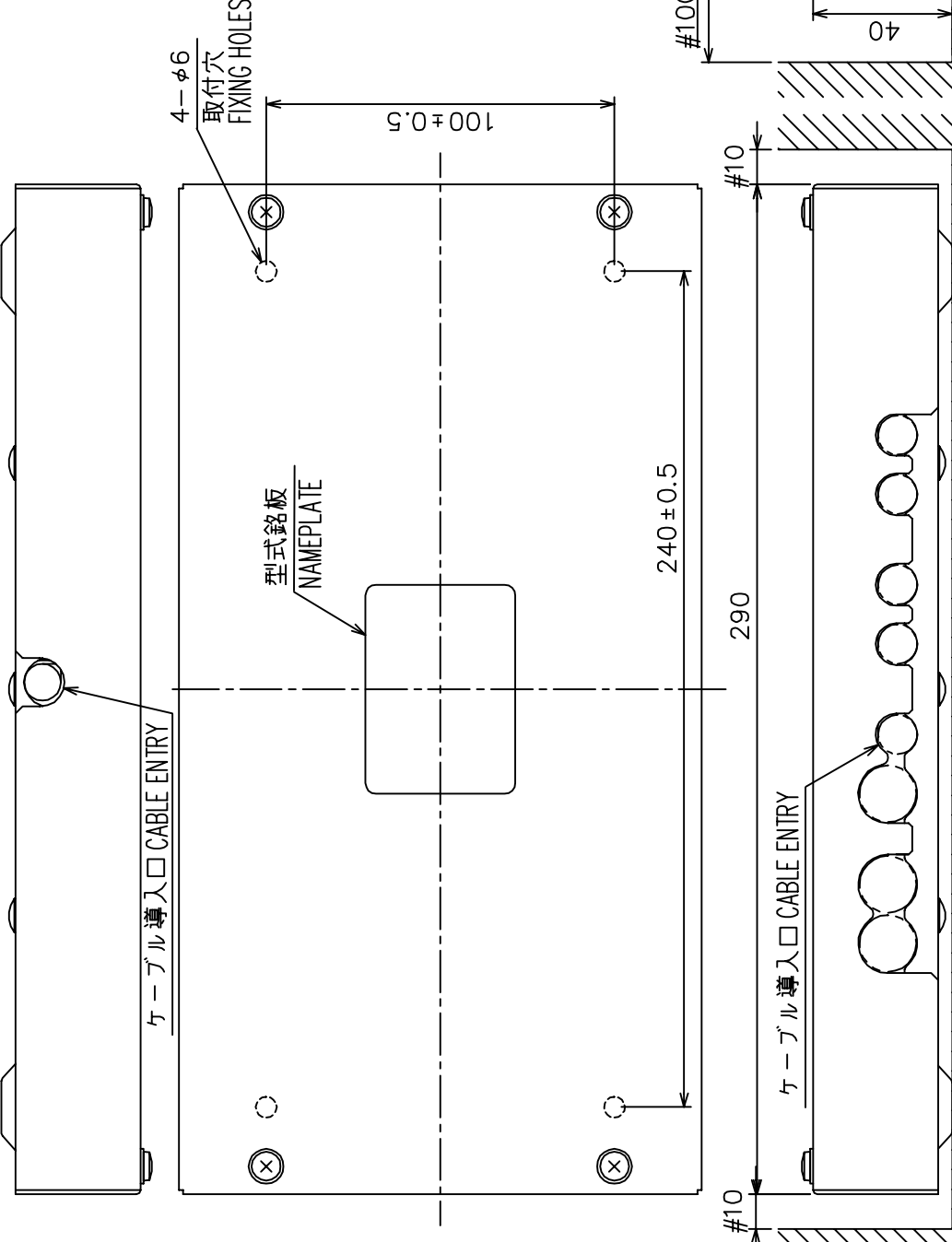
2. TABLE 1 INDICATES TOLERANCE OF DIMENSIONS WHICH IS NOT SPECIFIED.

3. USE SELF-TAPPING SCREWS 5x20 FOR FIXING THE UNIT.

DRAWN CHECKED	SEP. 3, '04 TAKAHASHI, T	EMIKYOSHI	TITLE 名 称	IF-8810 接続箱
APPROVED	Y. Hatai	FM-8800S/D	外寸図	
SCALE	1/2	1/20	NAME	JUNCTION BOX
DMC.No.	C5642-603-C	05-093-400G-1		OUTLINE DRAWING

表 1 TABLE 1

寸法区分 (mm) DIMENSIONS	公差 (mm) TOLERANCE
L ≤ 50	± 1.5
50 < L ≤ 100	± 2.5
100 < L ≤ 500	± 3



注記 1) #印寸法は最小サービス空間寸法とする。  
 2) 指定外の寸法公差は表1による。  
 3) 取付用ネジは+トラスタップピンネジ呼び径5×20を使用のこと。

NOTE 1. # MINIMUM SERVICE CLEARANCE.  
 2. TABLE 1 INDICATES TOLERANCE OF DIMENSIONS WHICH IS NOT SPECIFIED.  
 3. USE SELF-TAPPING SCREWS 5x20 FOR FIXING THE UNIT.

DRAWN CHECKED	Sup. 22 '04 TAKAHASHI, T	FILE 番 号	IF-8820
APPROVED	Y. Hatai	FM-8800S/D	DMCインターフェイス
SCALE	1/2	NAME	外寸図
DMC No.	C5642-G04-C	DMC No.	DMC INTERFACE UNIT
			OUTLINE DRAWING

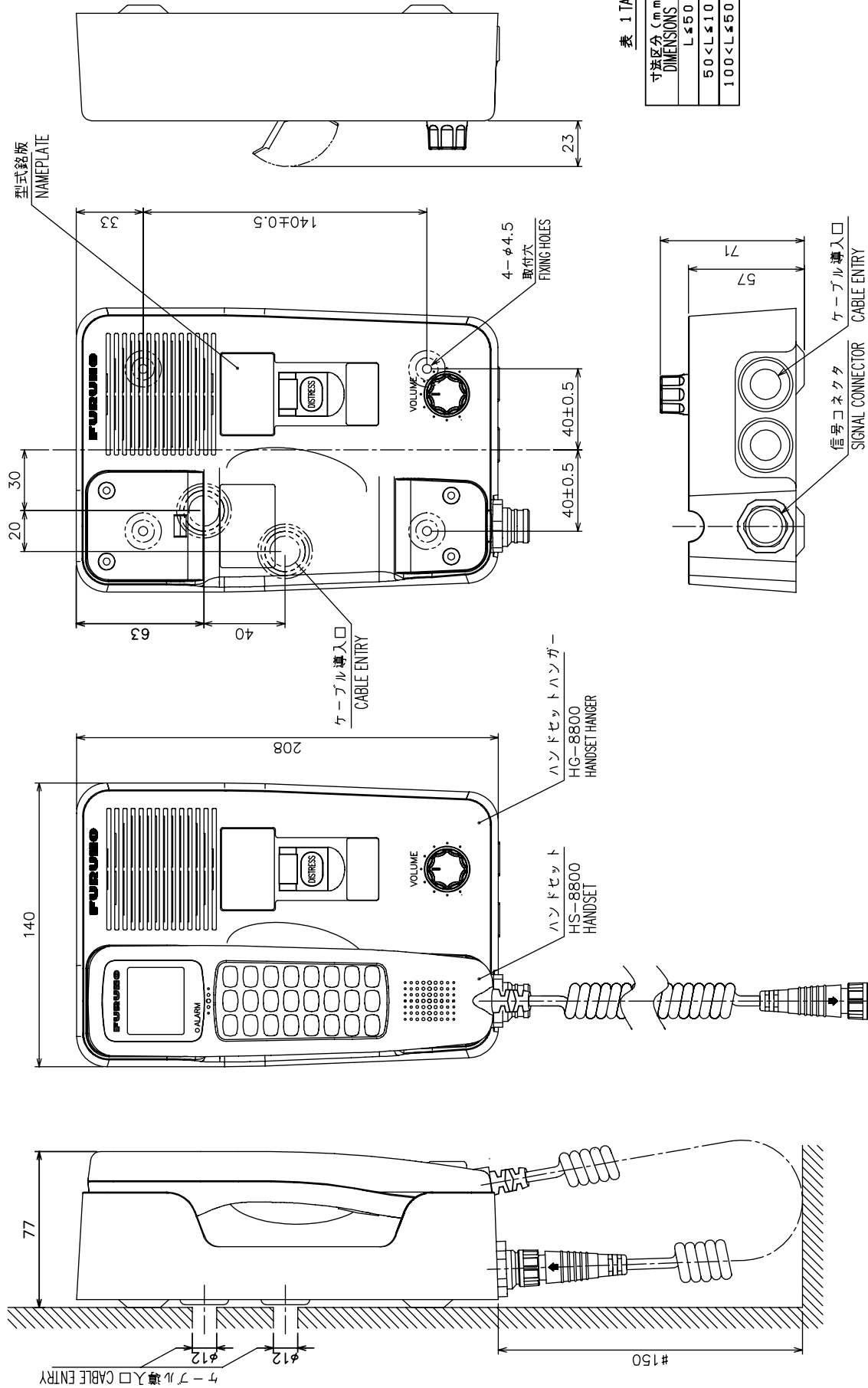


表 1 TABLE 1

寸法区分 (mm) DIMENSIONS	公差 (mm) TOLERANCE
L ≤ 50	± 1.5
50 < L ≤ 100	± 2.5
100 < L ≤ 500	± 3

注記 1) 指定外の寸法公差は表 1 による。  
 2) # 印寸法は最小サービスクリアランスとする。  
 3) 取付用ネジは + トラスタックピッチ呼び径 4 × 2.0 を使用のこと。  
 NOTE 1. TABLE 1 INDICATES TOLERANCE OF DIMENSIONS WHICH IS NOT SPECIFIED.  
 2. # : MINIMUM SERVICE CLEARANCE.  
 3. USE SELF-TAPPING SCREWS 4x2.0 FOR FIXING THE UNIT.

DRAWN	Dec. 6 '04	F. MIYOSHI	TITLE	RB-8800
CHECKED		TAKAHASHI, T	名称	リモートステーション
APPROVED		Y. Hatai	外寸図	
SCALE	1/2	質量は約 1.1 kg 質量は約 1.1 kg 質量は約 1.1 kg	NAME	REMOTE STATION
DWG.No.	C5642-G02-A	05-093-300G-3		OUTLINE DRAWING

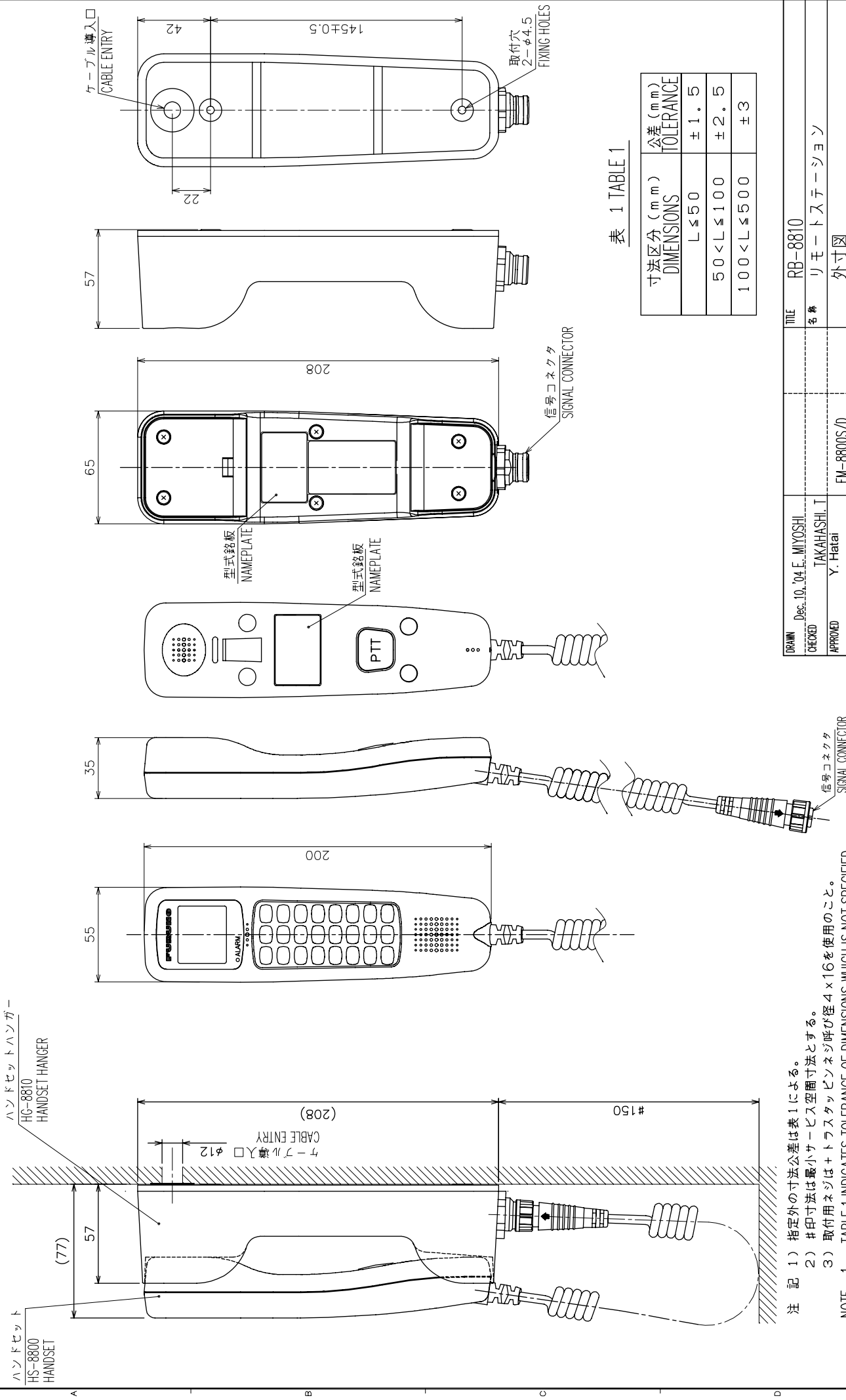


表 1 TABLE 1

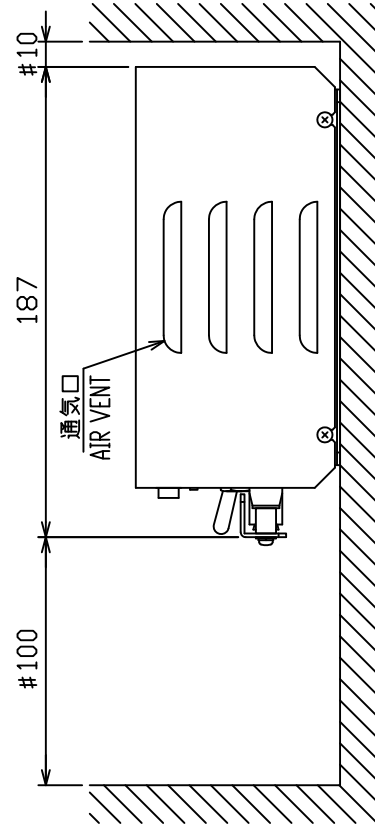
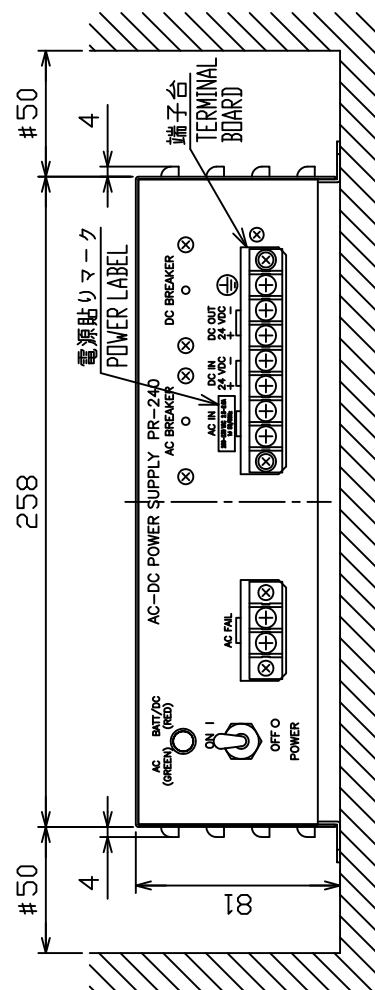
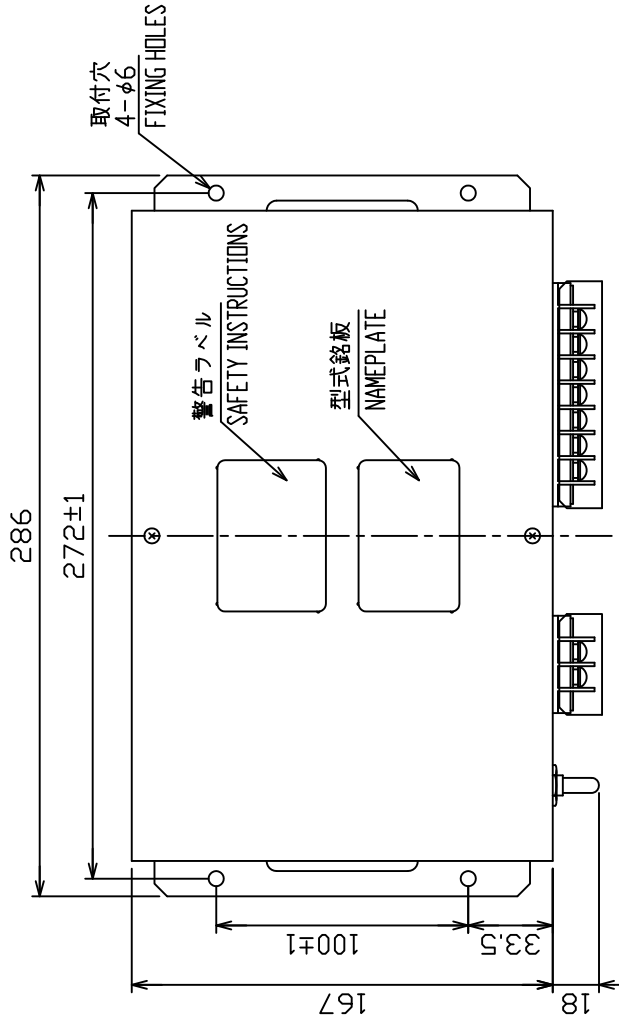
寸法区分 (mm) DIMENSIONS	公差 (mm) TOLERANCE
L ≤ 50	± 1.5
50 < L ≤ 100	± 2.5
100 < L ≤ 500	± 3

DRAWN	Dec. 10, '04 E. MIYOSHI	TITLE	RB-8810
CHECKED	TAKAHASHI, T	名称	リモートステーション
APPROVED	Y. Hatai	外寸図	
SCALE	1/2 MASS ±10% 質量はのり付・ハンガーを含む。 MASS W/ HANSET AND HANGER	NAME	REMOTE STATION
DMG.No.	C5642-G09-A	OUTLINE DRAWING	
			05-093-310C-2

- 注記 1) 指定外の寸法公差は表 1 による。  
 2) #印寸法は最小サービスマン間寸法とする。  
 3) 取付用ネジは+トラスチックピンネジ呼び径 4 x 16 を使用のこと。
- NOTE 1. TABLE 1 INDICATES TOLERANCE OF DIMENSIONS WHICH IS NOT SPECIFIED.  
 2. #: MINIMUM SERVICE CLEARANCE.  
 3. USE SELF-TAPPING SCREWS 4x16 FOR FIXING THE UNIT.

表 1 TABLE 1

寸法区分 (mm) DIMENSION	公差 (mm) TOLERANCE
L ≤ 50	±1.5
50 < L ≤ 100	±2.5
100 < L ≤ 500	±3



- 注 記 1) 指定なき寸法公差は表 1 による。  
 2) #印寸法は最小サービスマージン寸法とする。  
 3) 取付用ネジは + トラスタックピンネジ 呼び径 4 × 1.6 を使用のこと。
- NOTE 1. TABLE 1 INDICATES TOLERANCE OF DIMENSIONS WHICH IS NOT SPECIFIED.  
 2. # MINIMUM SERVICE CLEARANCE.  
 3. USE TAPPING SCREWS φ4x1.6 FOR FIXING THE UNIT.

DRAWN	25/Sep/09 T.YAMASAKI	TITLE	PR-240
CHECKED	25/Sep/09 T.TAKENO	名称	AC/DC電源ユニット
APPROVED	26/Oct/09 R.Esumi	外寸図	
SCALE	1/3	NAME	AC/DC POWER SUPPLY UNIT
DWG No.	C5003-603-J	REF. No.	24-003-500G-4
			OUTLINE DRAWING



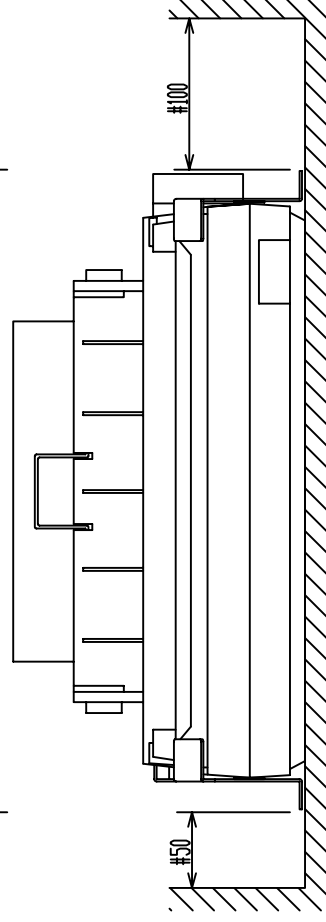
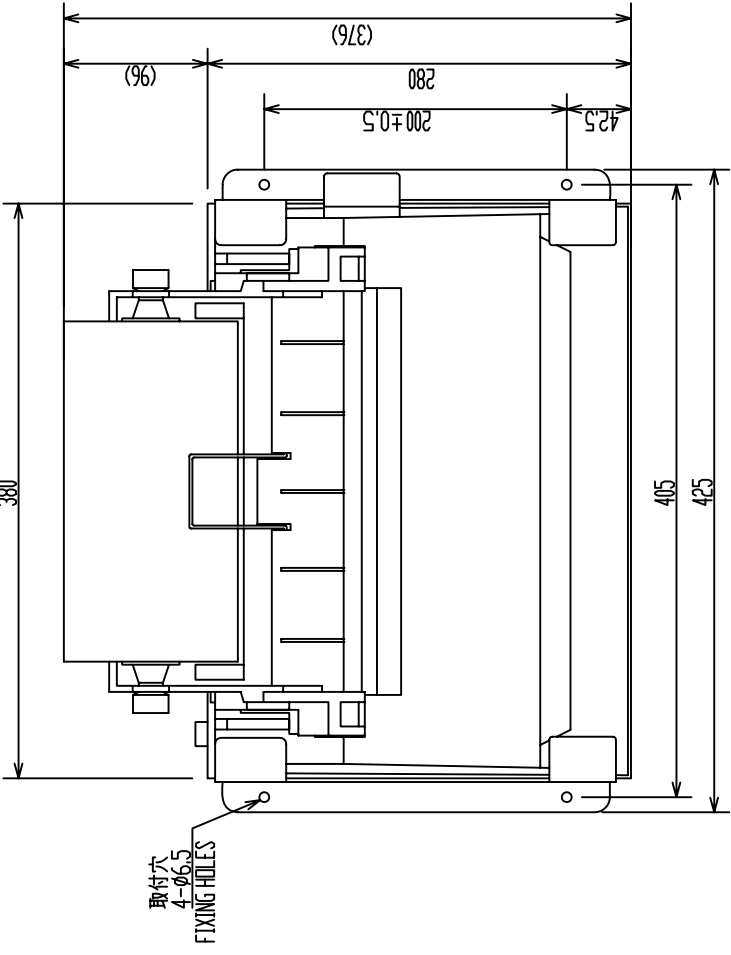
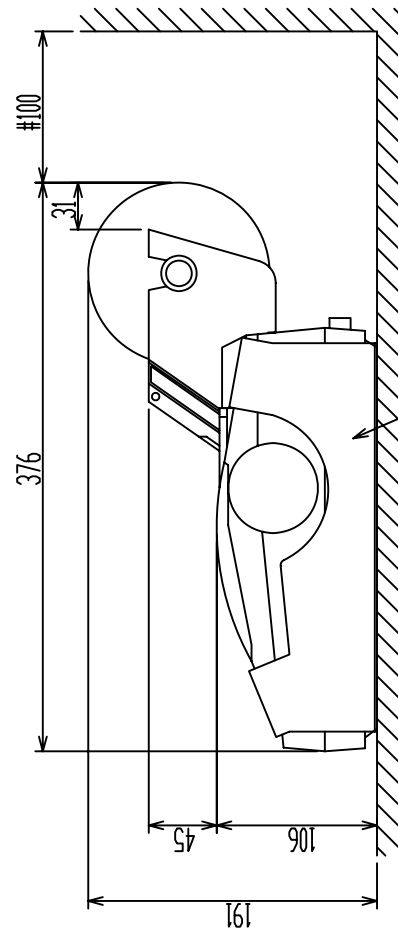


表 1 TABLE 1

寸法区分 (mm) DIMENSIONS	公差 (mm) TOLERANCE
0 < L ≤ 50	± 1.5
50 < L ≤ 100	± 2.5
100 < L ≤ 500	± 3



取付金具  
PRINTER FIXTURE

- 注 記
- 1) 印寸法は最小サービス空間寸法とする。
  - 2) 指定外の寸法公差は表 1 による。
  - 3) 取付用ネジは M6 ボルトまたはコーチボルト呼び径φ を使用のこと。
- NOTE
1. # MINIMUM SERVICE CLEARANCE.
  2. TABLE 1 INDICATES TOLERANCE OF DIMENSIONS WHICH IS NOT SPECIFIED.
  3. USE M6 BOLTS OR COACH SCREWS φ6 FOR FIXING THE UNIT.

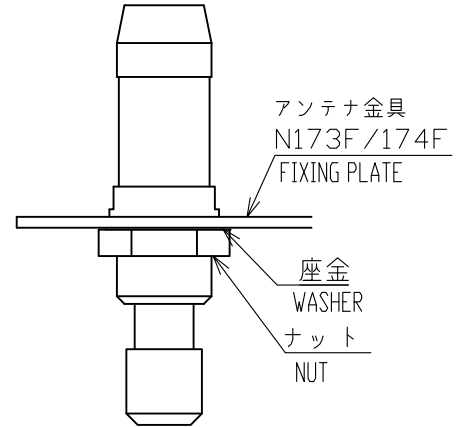
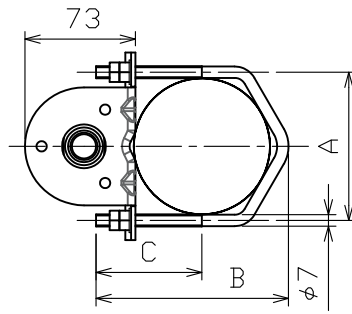
DRAWN Nov. 27, '96 E. MIYOSHI	TITLE PP-510
CHECKED TAKAHASHI, I.	名称 プリンタ
APPROVED Y. Hatai	外寸図
SCALE 1/5 MASS ±10% 3.8 kg	NAME PRINTER
DWG.No. C5589-G08-K	REF.No. 16-007-660G-2
	OUTLINE DRAWING

表1 (Table1)

寸法区分 (mm) Dimension	公差 (mm) Tolerance
$L \leq 50$	$\pm 1.5$
$50 < L \leq 100$	$\pm 2.5$
$100 < L \leq 500$	$\pm 3$
$500 < L \leq 1000$	$\pm 4$
$1000 < L \leq 2000$	$\pm 5$

品目	ITEM	型式 MODEL	材質 (JIS) MATERIAL
アンテナ金具	FIXING PLATE	N173F/174F	SUS316
座金	WASHER		SUS316
ナット	NUT		C3603B
Uボルト	U-BOLT		SUS316
座金・ナット	WASHER/NUT	M8	SUS316

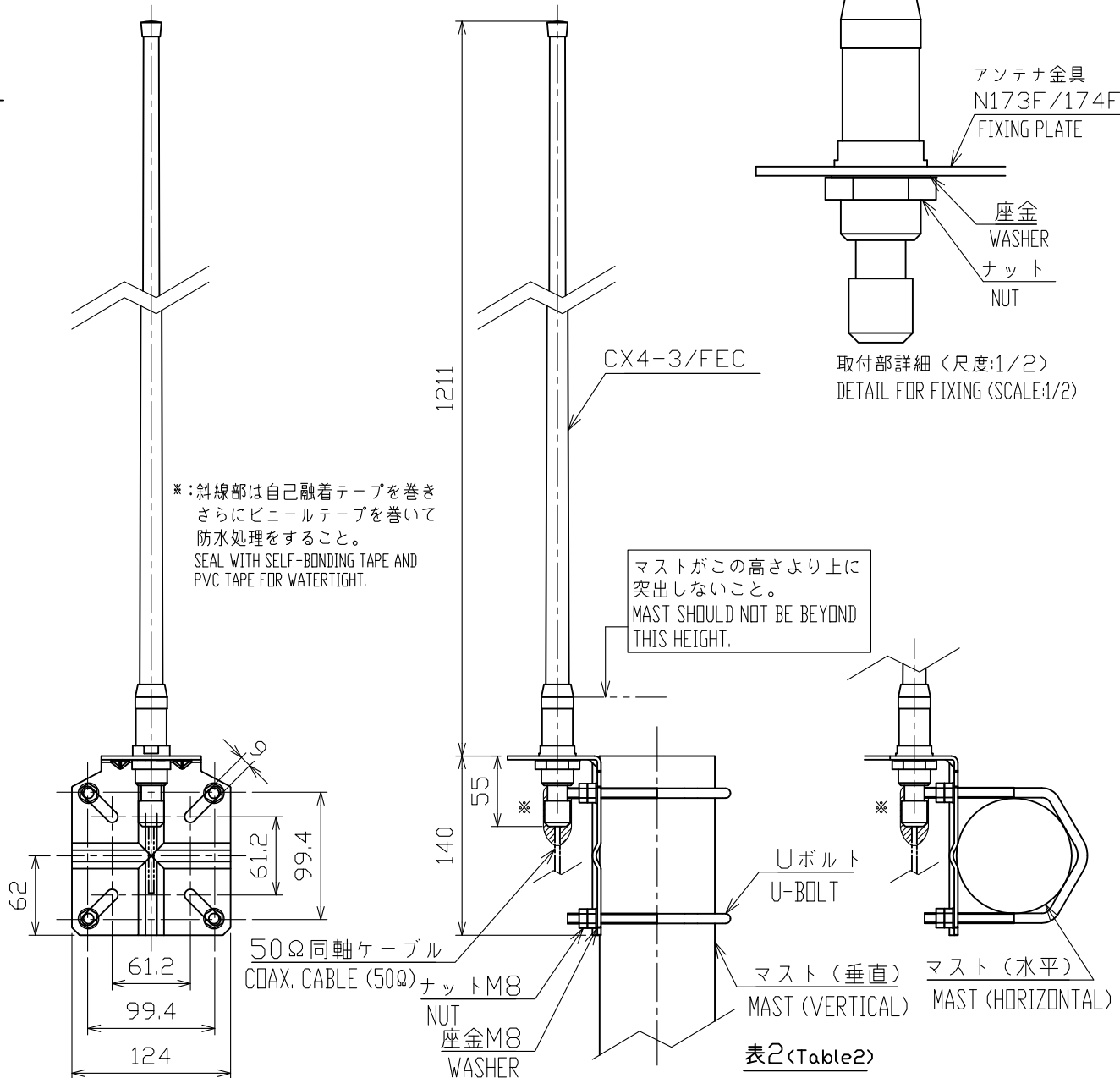
表3 (Table3)



取付部詳細 (尺度:1/2)  
DETAIL FOR FIXING (SCALE:1/2)

\*: 斜線部は自己融着テープを巻き  
さらにビニールテープを巻いて  
防水処理をすること。  
SEAL WITH SELF-BONDING TAPE AND  
PVC TAPE FOR WATERTIGHT.

マストがこの高さより上に  
突出しないこと。  
MAST SHOULD NOT BE BEYOND  
THIS HEIGHT.

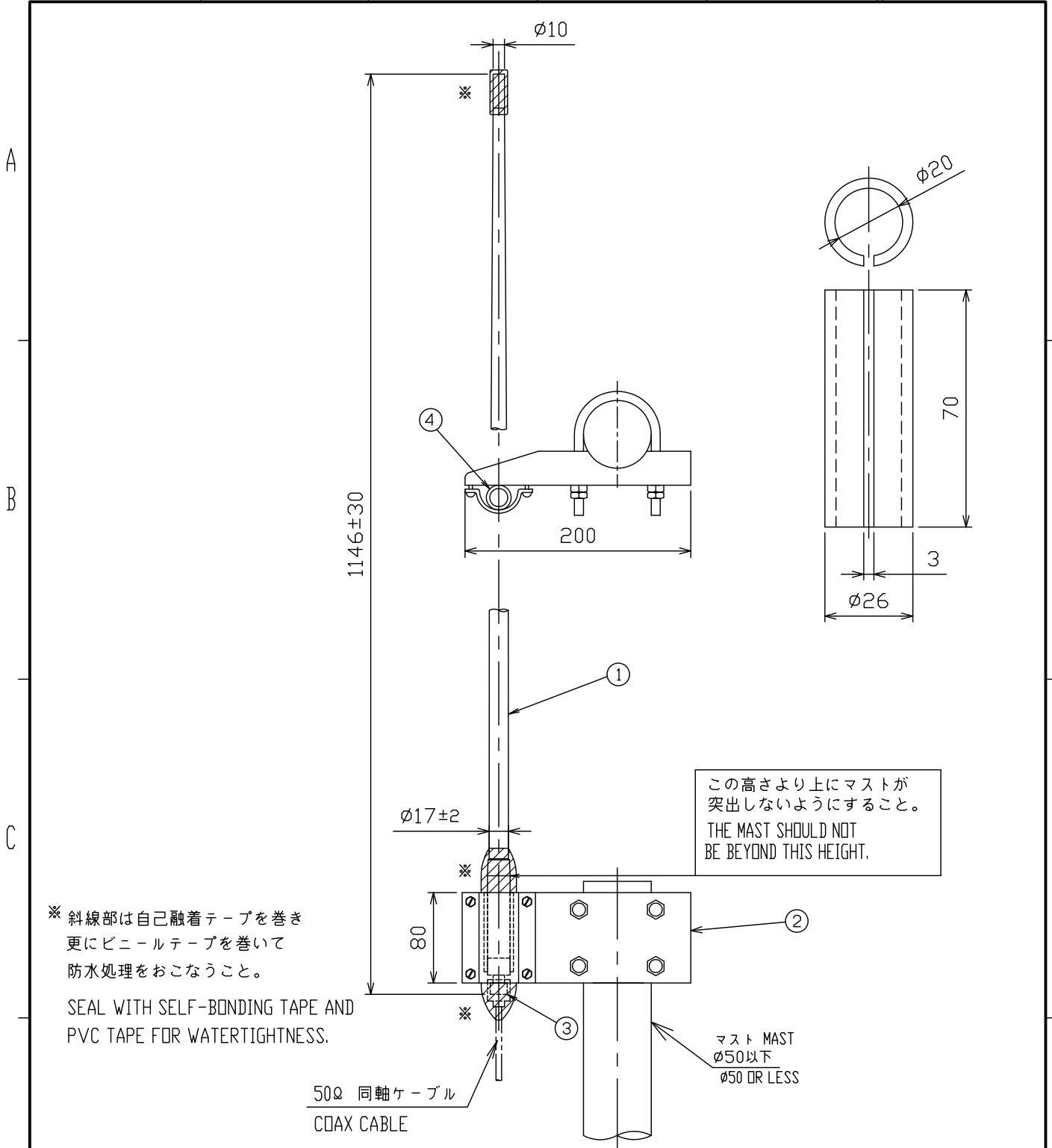


注記 1) 指定外の寸法公差は表1による。

NOTE 1. TABLE 1 INDICATES TOLERANCE OF DIMENSIONS WHICH IS NOT SPECIFIED.

アンテナ金具型式 FIXING PLATE	Uボルト型式 U-BOLT TYPE	適合マスト径 MAST DIAMETER	A	B	C
N173F/FEC	412-0051-01	$\phi 49 - \phi 90$	98	127	70
N174F/FEC	412-0024-02	$\phi 30 - \phi 61$	69	117	83

DRAWN	10/Jan/2019	T.YAMASAKI	TITLE	CX4-3/FEC		
CHECKED	10/Jan/2019	H.MAKI	名称	アンテナ		
APPROVED	11/Jan/2019	H.MAKI	外寸図			
SCALE	1/5	MASS 1.2 ±10% kg	質量は取付金具を含まず。 MASS DOES NOT INCLUDE FIXTURE.	NAME	ANTENNA	
DWG. No.	C5013-G04-F		REF. No.	05-104-355G-2		
				OUTLINE DRAWING		



この高さより上にマストが  
突出しないようにすること。  
THE MAST SHOULD NOT  
BE BEYOND THIS HEIGHT.

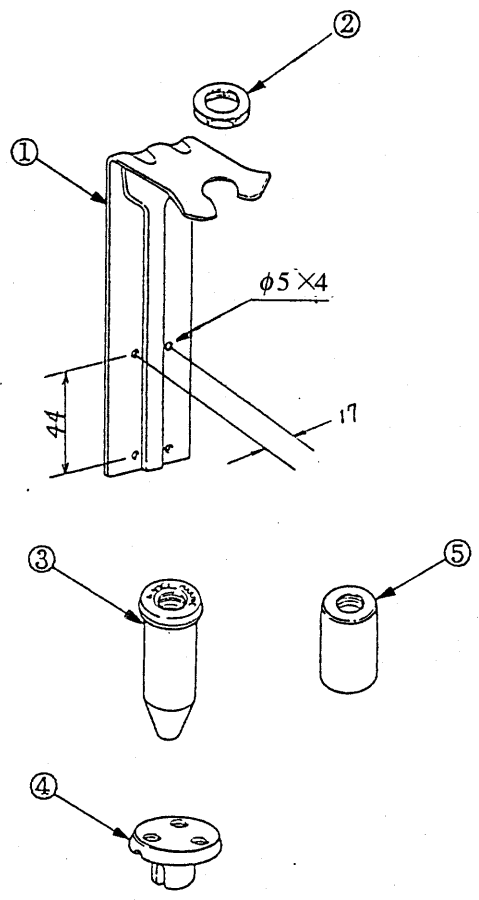
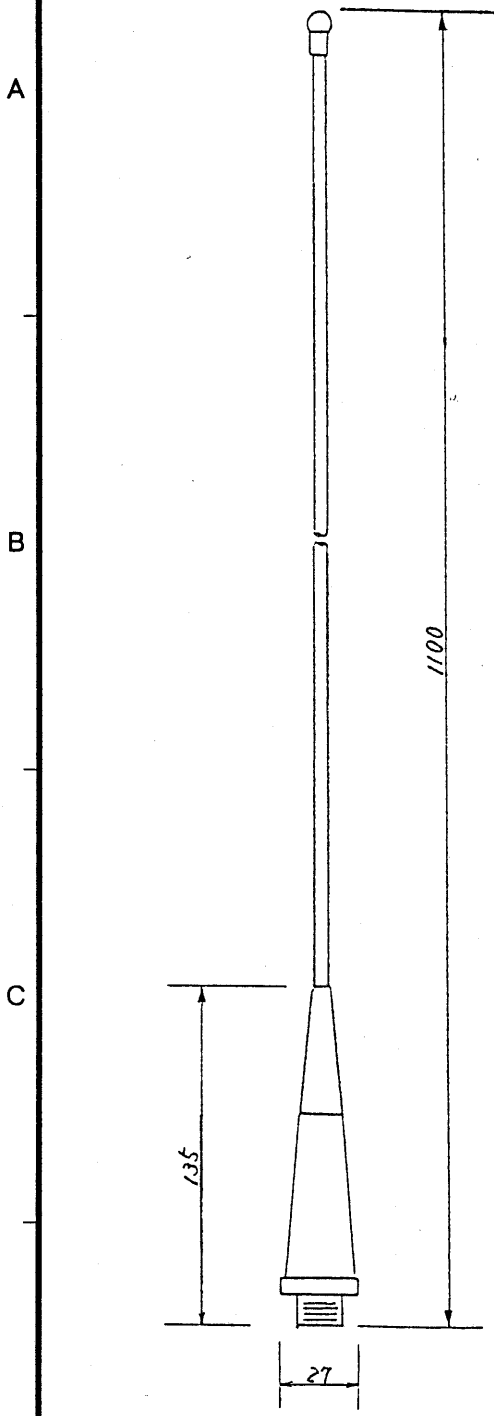
※ 斜線部は自己融着テープを巻き  
更にビニールテープを巻いて  
防水処理をおこなうこと。  
SEAL WITH SELF-BONDING TAPE AND  
PVC TAPE FOR WATERTIGHTNESS.

50Ω 同軸ケーブル  
COAX CABLE

マスト MAST  
φ50以下  
φ50 OR LESS

4	固定用パイプ LINER PIPE	硬質塩ビ VINYL CHLORIDE	1		
3	同軸コネクタ COAX. CONNECTOR		1		M-R
2	アンテナ取付金具 ANTENNA BRACKET	SUS	1 式 SET	4-310071	0.6kg
1	アンテナ棒 ANTENNA ELEMENT	FRP	1		0.25kg
品番 ITEM	品名 NAME	材質 MATERIAL	数量 Q.TY	図番 DWG.No.	摘要 REMARKS

DRAWN	4/Aug/2017	I.YAMASAKI	TITLE	FAB-151D	
CHECKED	4/Aug/2017	H.MAKI	名称	150MHz ホイップアンテナ	
APPROVED	10/Aug/2017	H.MAKI		外寸図	
SCALE	1/5	MASS 0.85 ±10% kg	NAME	150MHz WHIP ANTENNA	
DWG.No.	C5013-019-L	4-110718		OUTLINE DRAWING	



	品名 NAME	数量 Q'TY
1	アンテナ取付組品 ANTENNA BRACKET	1
2	固定ナット NUT	1
3	防滴カバー WATERPROOFING COVER	1
4	グランド GLAND	1
5	アダプタ ADAPTER	1

付属品；M型コネクタ付同軸ケーブル組品(05S9014, 5 m)  
 Antenna RA106 comes with a coax cable assembly (05S9014, 5 m)  
 which has an M-type connector attached.

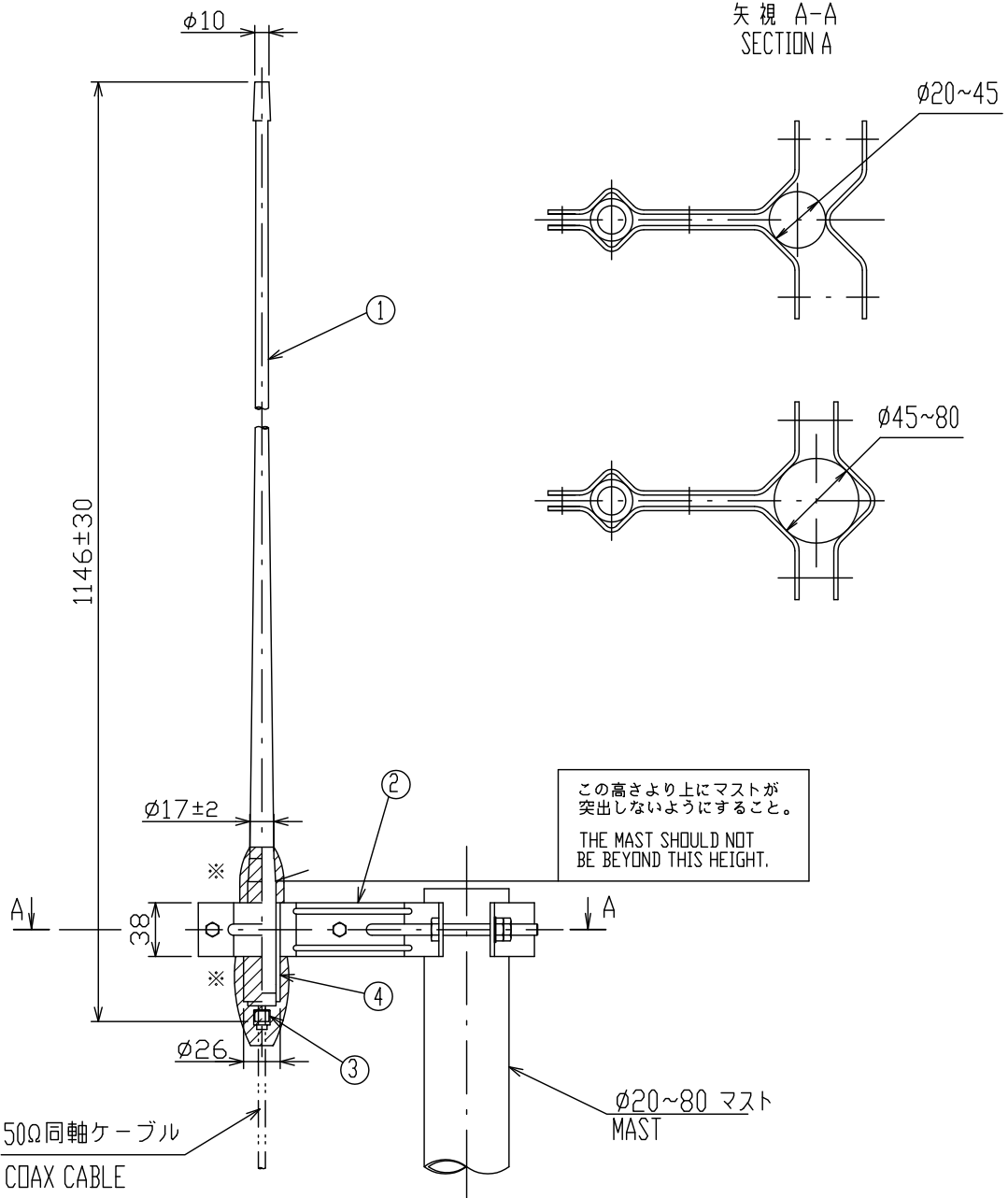
DRAWN Nov. 13. '95 T. NISHIYAMA				TYPE	RA106
CHECKED Nov. 13 '95 K. Okamoto				名称	150MH $\pm$ アンテナ外觀図
APPROVED Nov. 13 '95 K. Okamoto		FM-2678			外寸図
SCALE	$\times$	MASS	— kg	APPLICABLE TO; (MODEL)	BLOCK NO.
DWG NO. C5603-G02- A		05-001-4354- 0		NAME	VHF MARINE ANTENNA
					OUTLINE DRAWING

A

B

C

D



※： 斜線部は自己融着テープを巻き  
さらにビニールテープを巻いて  
防水処理を行うこと。  
SEAL WITH SELF-BONDING TAPE AND  
PVC TAPE FOR WATERTIGHTNESS.

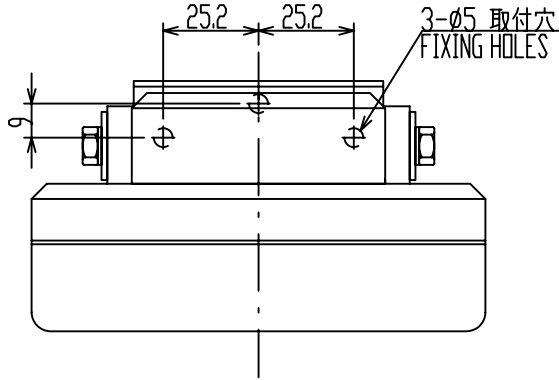
品番 ITEM	品名 NAME	材質 MATERIAL	数量 QTY	図番 DWG. No.	摘要 REMARKS
4	固定用パイプ LINEAR PIPE	硬質塩ビ VINYL CHLORIDE	1		
3	同軸コネクタ COAX. CONNECTOR		1		M-R
2	アンテナ取付金具 ANTENNA BRACKET	SUS316L	1 式 SET	M-15AS	t2.5
1	アンテナ棒 ANTENNA ELEMENT	FRP	1	FAB-151D	0.25 kg

DRAWN 4/Aug/2017 T.YAMASAKI	TITLE FAB-151D + M-15AS1
CHECKED 4/Aug/2017 H.MAKI	名称 150MHzホイップアンテナ(取付金具)
APPROVED 10/Aug/2017 H.MAKI	外寸図
SCALE 1/5 MASS 0.7 ±10% kg	質量は取付金具を含む。 MASS INCLUDES BRACKET.
DWG. No. C5011-042-G	REF. No. 150MHz WHIP ANTENNA w/ BRACKET OUTLINE DRAWING

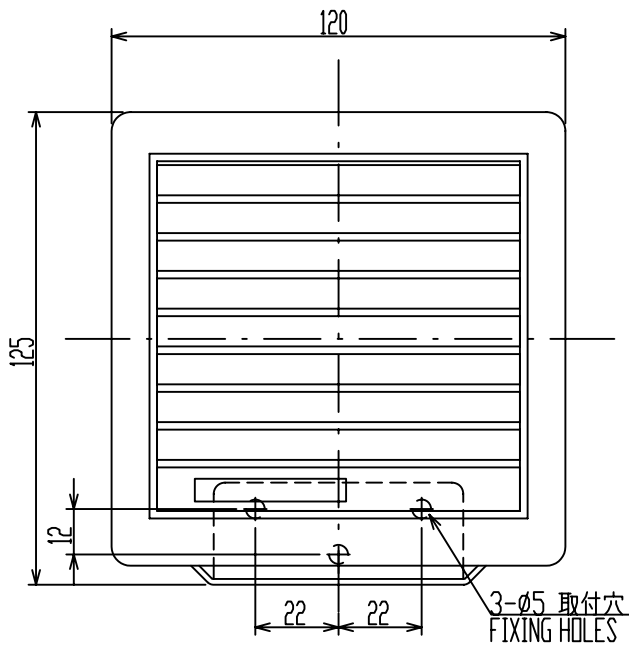
表1 TABLE 1

寸法区分(mm) DIMENSIONS	公差(mm) TOLERANCE
0 < L ≤ 50	±1.5
50 < L ≤ 100	±2.5
100 < L ≤ 500	±3

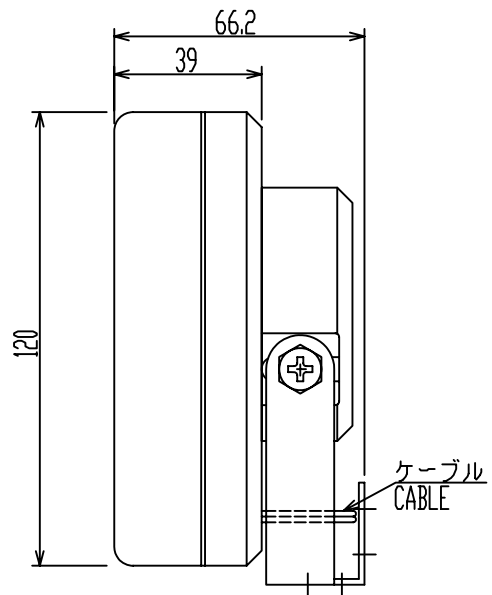
A



B



C



D

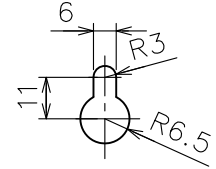
注記 1) 指定外寸公差は表1による。

NOTE 1. TABLE 1 INDICATES TOLERANCE OF DIMENSIONS WHICH IS NOT SPECIFIED.

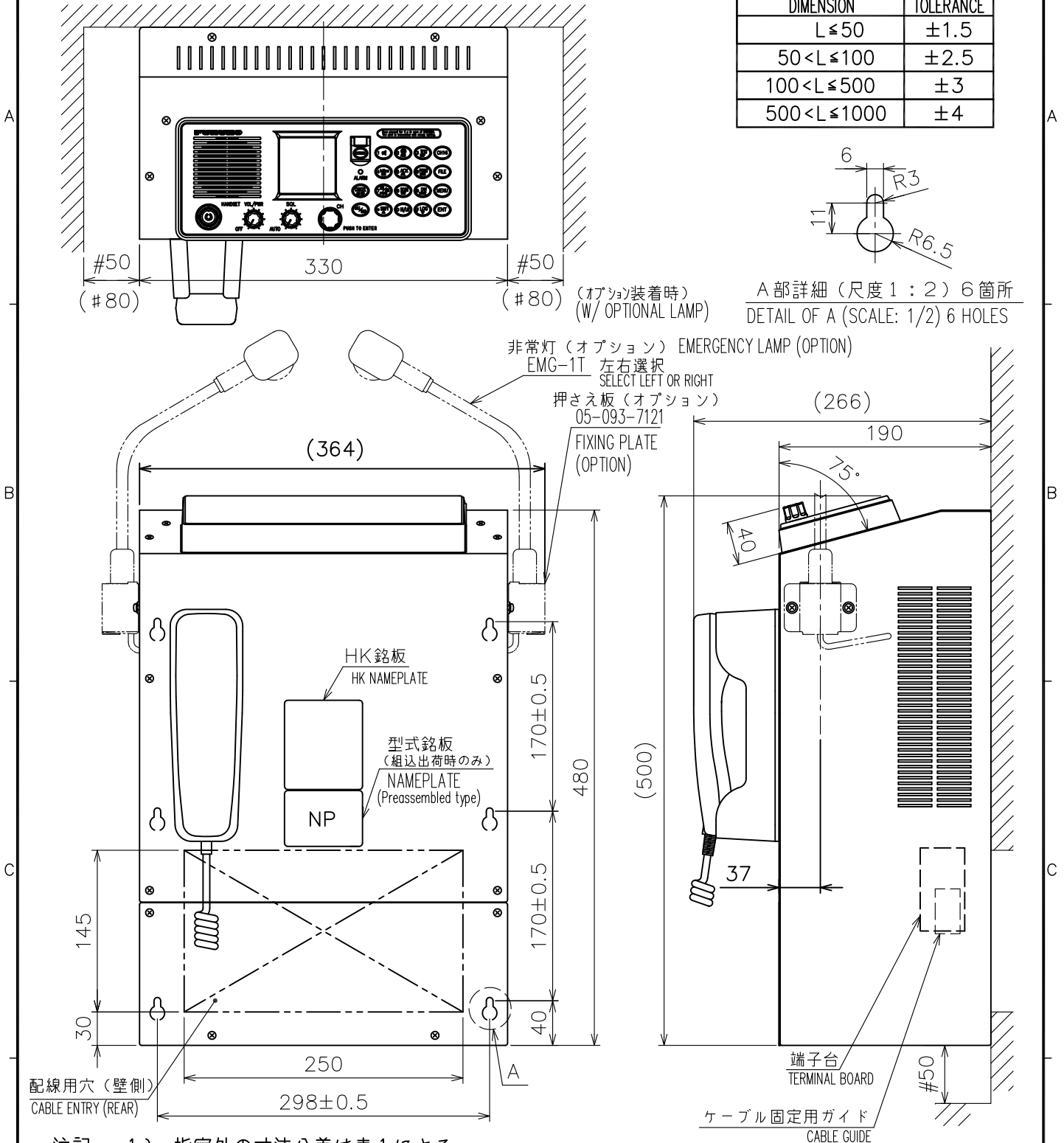
DRAWN	Nov. 25, '06	E. MIYOSHI	TITLE	SEM-21Q
CHECKED		TAKAHASHI, T	名称	スピーカ
APPROVED		Y. Hatai		外寸図
SCALE	1/2	MASS 0.54 ±10% kg	質量は2.8mケーブルを含む MASS W/ 2.8m CABLE	NAME
DWG.No.	C5016-G07-C		REF.No.	LOUDSPEAKER OUTLINE DRAWING

表 1 TABLE 1

寸法区分 (mm) DIMENSION	公差 (mm) TOLERANCE
$L \leq 50$	$\pm 1.5$
$50 < L \leq 100$	$\pm 2.5$
$100 < L \leq 500$	$\pm 3$
$500 < L \leq 1000$	$\pm 4$



A 部詳細 (尺度 1 : 2) 6 箇所  
DETAIL OF A (SCALE: 1/2) 6 HOLES



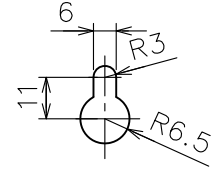
注記 1) 指定外の寸法公差は表 1 による。  
2) # 印寸法は最小サービス空間とする。

NOTE 1. TABLE 1 INDICATES TOLERANCE OF DIMENSIONS WHICH IS NOT SPECIFIED.  
2. #: MINIMUM SERVICE CLEARANCE.

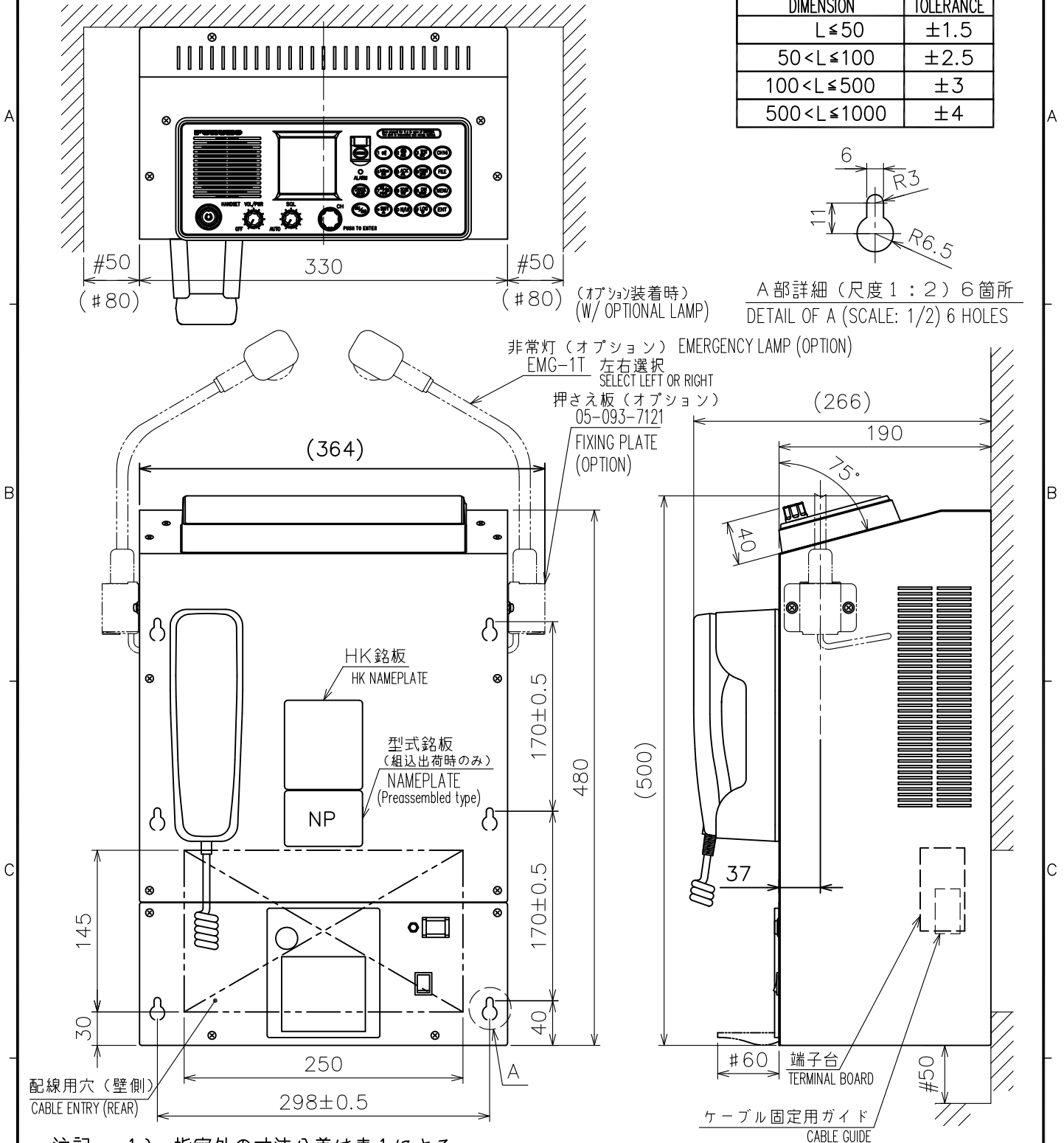
DRAWN 5/Mar/2010 T.YAMASAKI	TITLE RC-8800
CHECKED 5/Mar/2010 T.TAKAHASHI	名称 コンソールキット (壁掛ラック、プリンタなし)
APPROVED 8/Mar/2010 Y.NISHIYAMA FM-8800D/S	外寸図
SCALE 1/5 MASS 15 ±10% kg	NAME CONSOLE KIT (RACK W/O PRINTER)
DWG.No. C5642-G07-D 05-093-710G-4	OUTLINE DRAWING

表 1 TABLE 1

寸法区分 (mm) DIMENSION	公差 (mm) TOLERANCE
$L \leq 50$	$\pm 1.5$
$50 < L \leq 100$	$\pm 2.5$
$100 < L \leq 500$	$\pm 3$
$500 < L \leq 1000$	$\pm 4$



A 部詳細 (尺度 1 : 2) 6 箇所  
DETAIL OF A (SCALE: 1/2) 6 HOLES

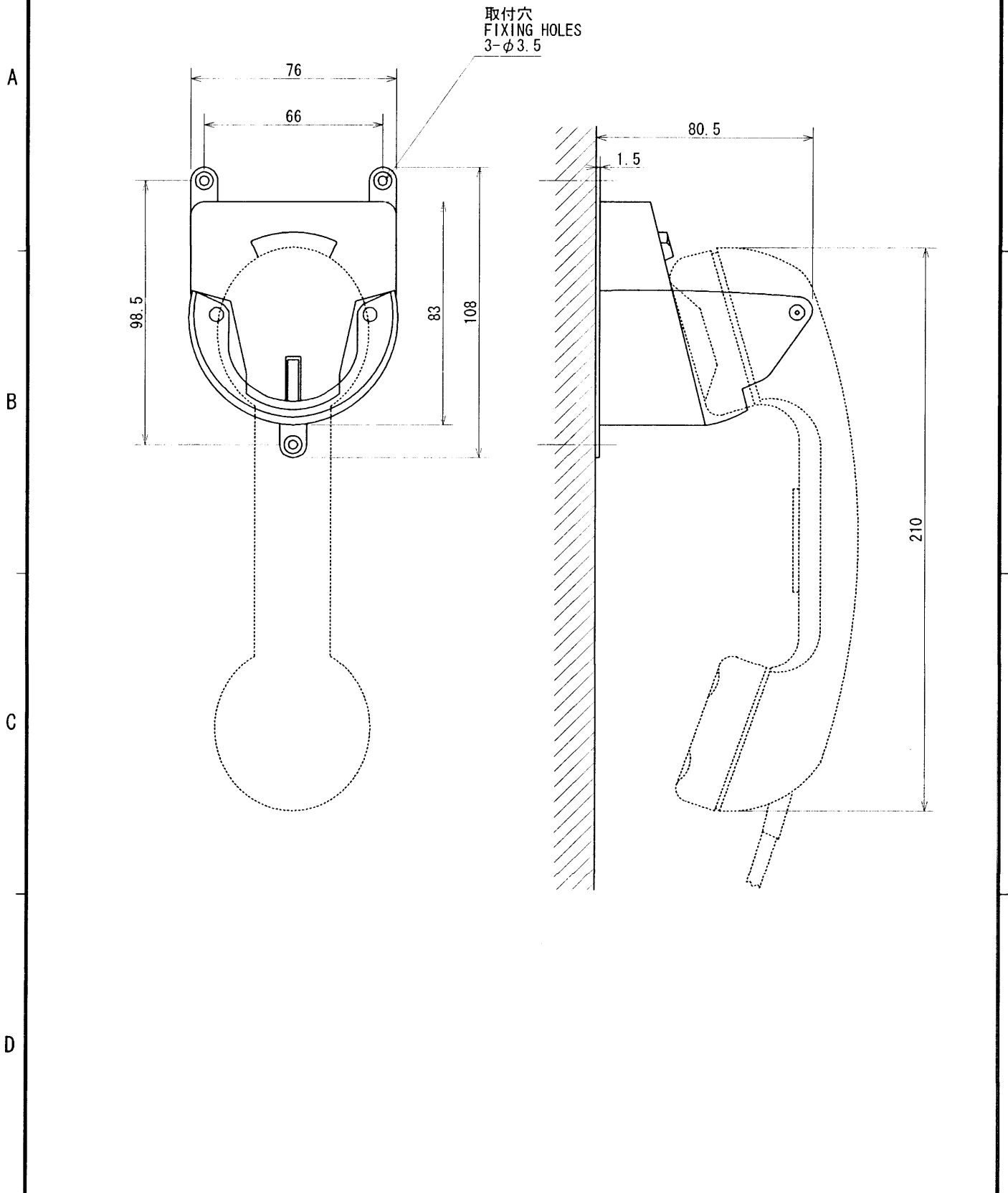


注記 1) 指定外の寸法公差は表 1 による。  
2) #印寸法は最小サービス空間とする。

NOTE 1. TABLE 1 INDICATES TOLERANCE OF DIMENSIONS WHICH IS NOT SPECIFIED.  
2. #: MINIMUM SERVICE CLEARANCE.

DRAWN 5/Mar/2010 T.YAMASAKI	TITLE RC-8800B
CHECKED 5/Mar/2010 T.TAKAHASHI	名称 コンソールキット (壁掛ラック、プリンタ付)
APPROVED 8/Mar/2010 Y.NISHIYAMA	FM-8800D/S 外寸図
SCALE 1/5 MASS 17 ±10% kg	質量はプリンタを含む。 MASS INCLUDES PRINTER.
DWG.No. C5642-G17-C	05-093-701G-3 NAME CONSOLE KIT (RACK W/ PRINTER) OUTLINE DRAWING





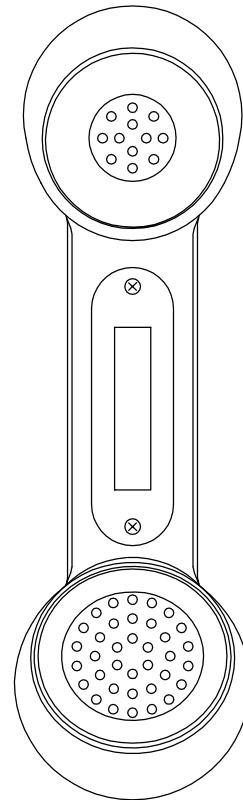
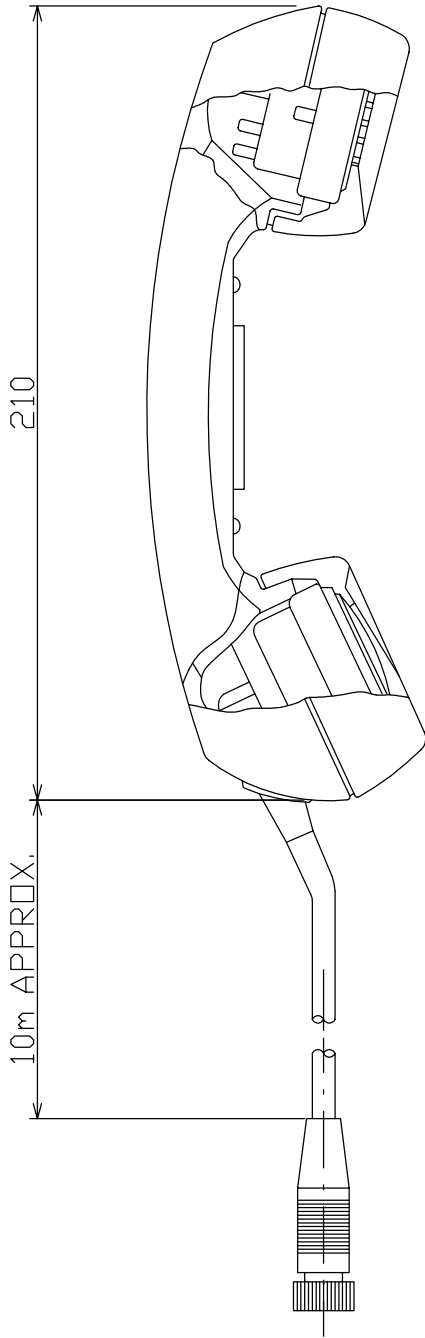
DRAWN <i>Aug 16 '00 T. YAMASAKI</i>		TITLE AP-102
CHECKED <i>Aug 16 '00 Y. Kuri</i>		名称 ハンドセットハンガー
APPROVED <i>Aug 16 '00 Y. Kuri</i>		外寸図
SCALE 1/2 MASS 0.5 kg		NAME HANDSET HANGER
DWG. No. C5015-G05-B		OUTLINE DRAWING

A

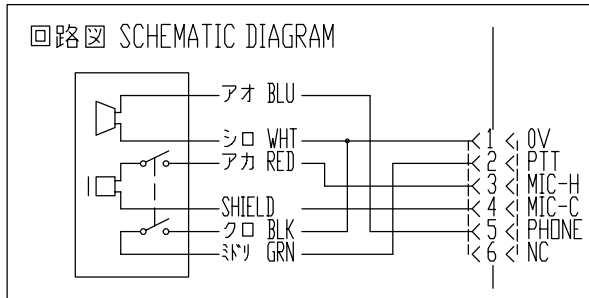
B

C

D



材質 MATERIAL	A B S樹脂 ABS RESIN
色 COLOR	黒 BLACK



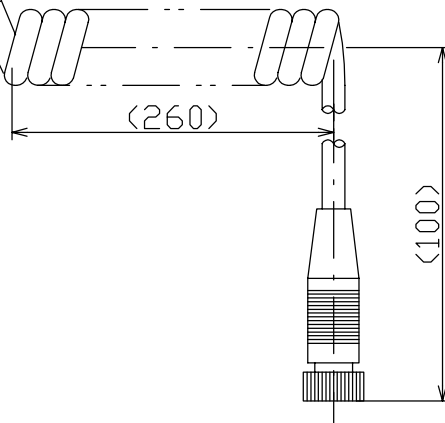
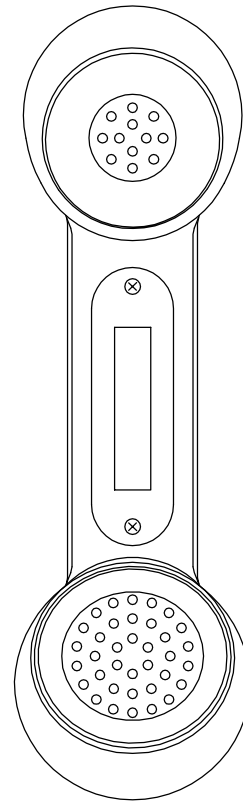
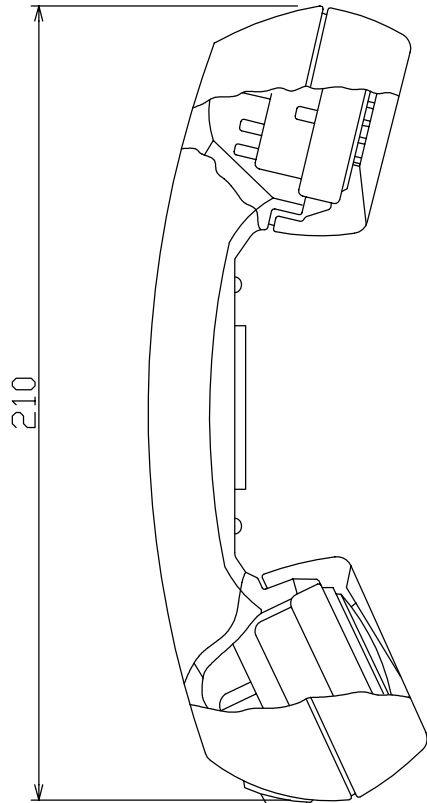
DRAWN Dec. 22 '03 T.YAMASAKI	TITLE HS-6000F Z11
CHECKED Dec. 22 '03 T.TAKENO	名称 ハンドセット
APPROVED Dec. 26 '03 <i>Matsuyuchi</i>	外寸図
SCALE 1/2 MASS 0.5 kg	NAME HANDSET
DWG.No. C5015-G11-A	OUTLINE DRAWING

A

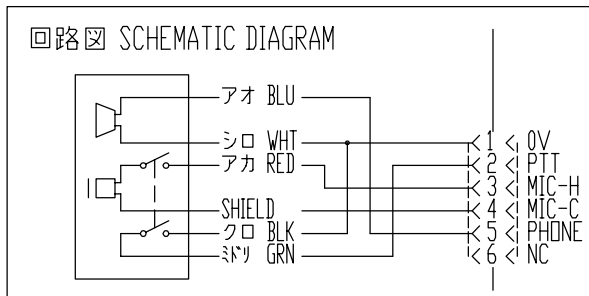
B

C

D



材質 MATERIAL	A B S樹脂 ABS RESIN
色 COLOR	黒 BLACK



DRAWN Dec. 22 '03 T.YAMASAKI	TITLE HS-6000F Z5
CHECKED Dec. 22 '03 T.TAKENO	名称 ハンドセット
APPROVED Dec. 26 '03 <i>Matsuyuchi</i>	外寸図
SCALE 1/2 MASS 0.3 kg	NAME HANDSET
DWG.No. C5015-024-D	OUTLINE DRAWING

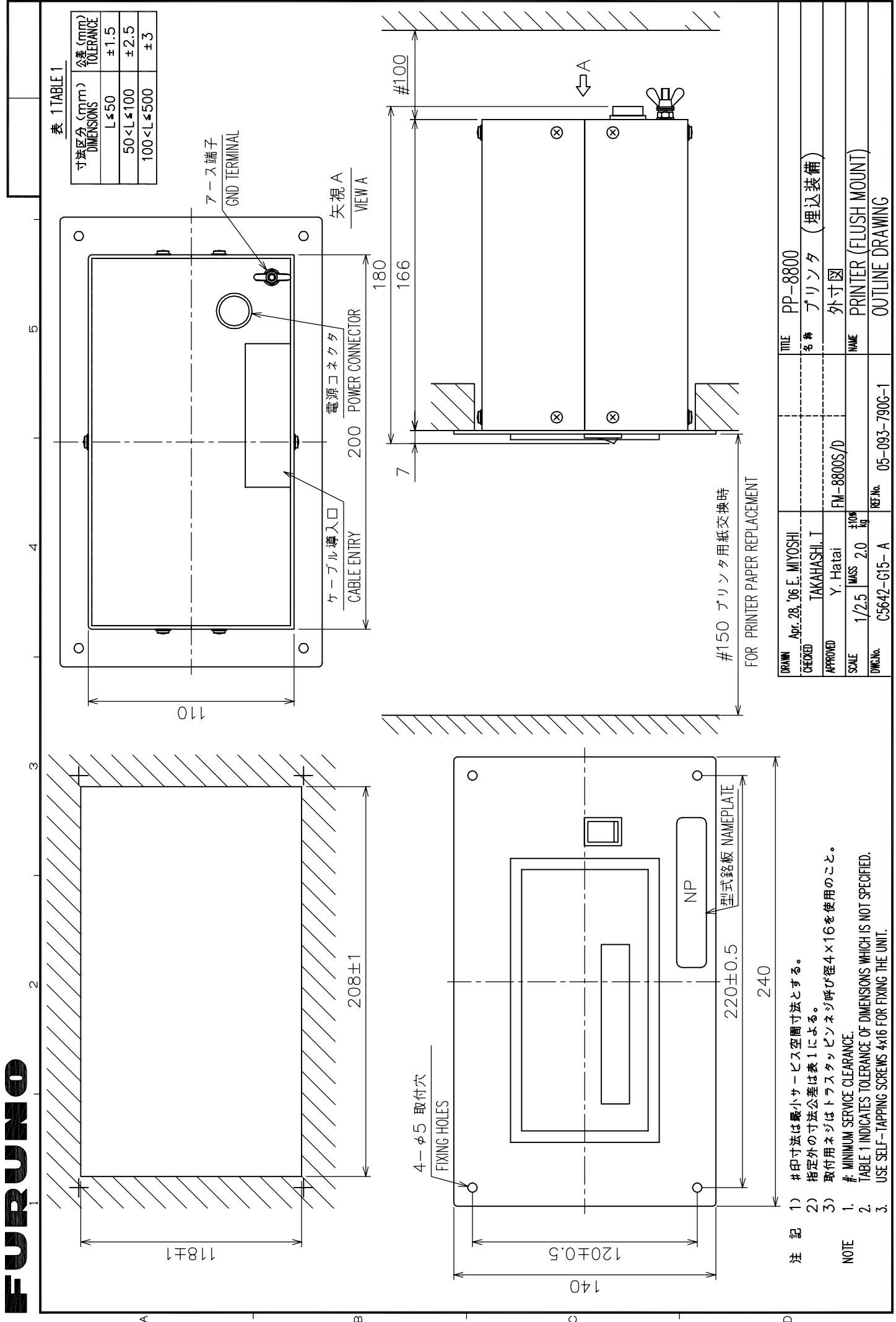


表 1 TABLE 1

寸法区分 (mm) DIMENSIONS	公差 (mm) TOLERANCE
L ≤ 50	± 1.5
50 < L ≤ 100	± 2.5
100 < L ≤ 500	± 3

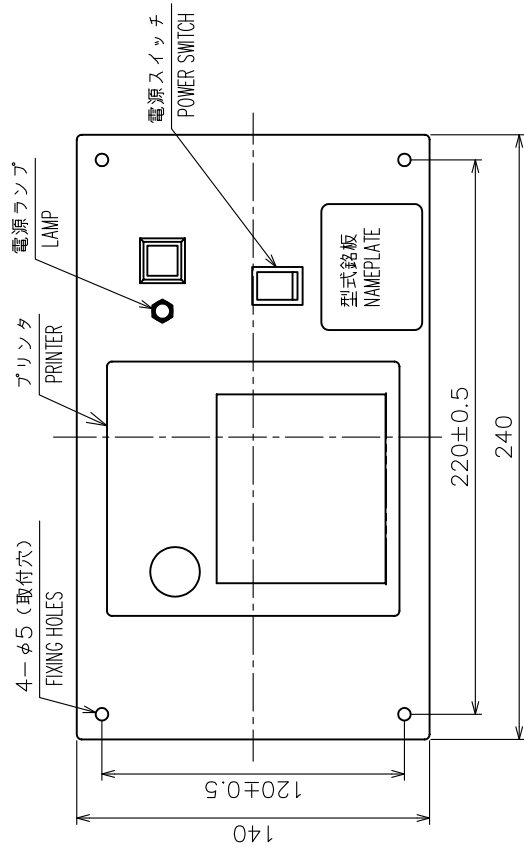
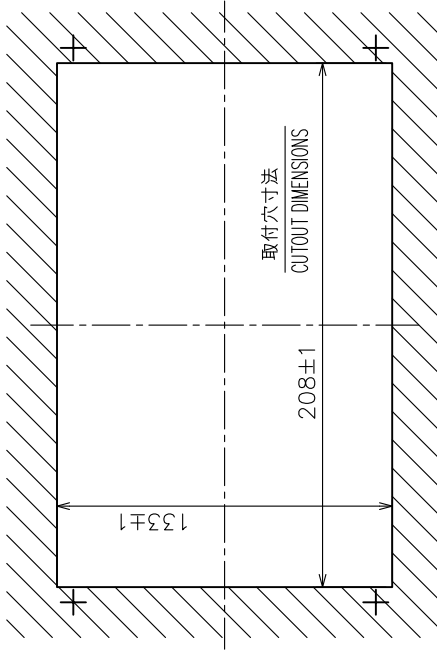
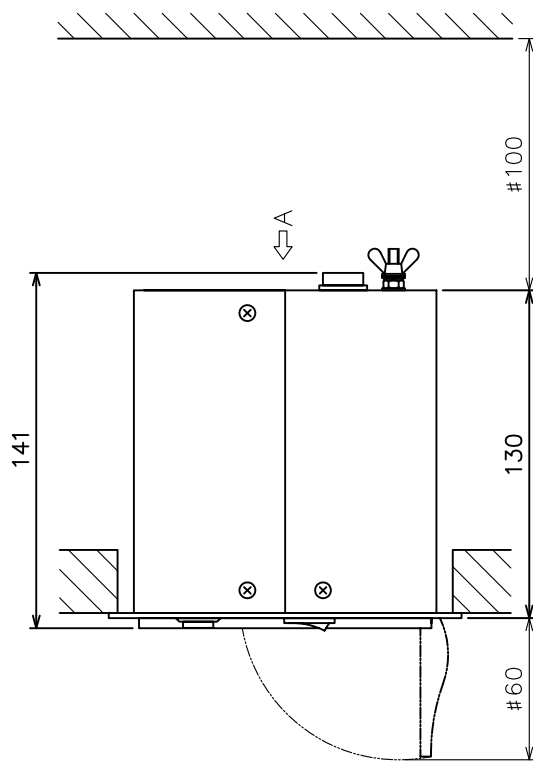
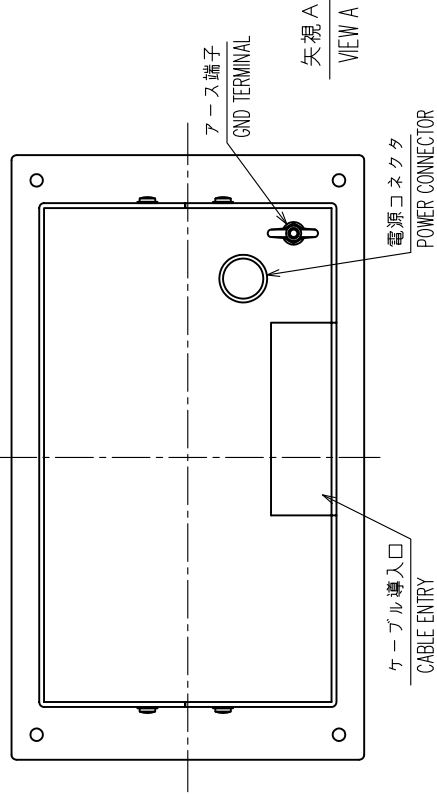
DRAWN	Apr. 28, '06 E. MIYOSHI	TITLE	PP-8800
CHECKED	TAKAHASHI, T	名称	プリンタ (埋込装備)
APPROVED	Y. Hatai	外寸図	
SCALE	1/2.5 MASS ±10% 2.0 kg	NAME	PRINTER (FLUSH MOUNT)
DWG.No.	C5642-G15-A	REF.No.	05-093-790G-1

- 注記
- #印寸法は最小サービスクリアランスとする。
  - 指定外の寸法公差は表1による。
  - 取付用ネジはトラスタツピンネジ呼び径4×16を使用のこと。
- NOTE
- # MINIMUM SERVICE CLEARANCE.
  - TABLE 1 INDICATES TOLERANCE OF DIMENSIONS WHICH IS NOT SPECIFIED.
  - USE SELF-TAPPING SCREWS 4x16 FOR FIXING THE UNIT.

#150 プリンタ用紙交換時  
FOR PRINTER PAPER REPLACEMENT

表1 TABLE 1

寸法区分 (mm) DIMENSION	公差 (mm) TOLERANCE
L ≤ 50	±1.5
50 < L ≤ 100	±2.5
100 < L ≤ 500	±3



- 注記
- 1) # 印寸法は最小サービス空間寸法とする。
  - 2) 指定外の寸法公差は表1による。
  - 3) 取付用ネジはトラスタックピンネジ呼び径4×16を使用のこと。
- NOTE
1. # MINIMUM SERVICE CLEARANCE.
  2. TABLE 1 INDICATES TOLERANCE OF DIMENSIONS WHICH IS NOT SPECIFIED.
  3. USE TAPPING SCREWS 4x16 FOR FIXING THE UNIT.

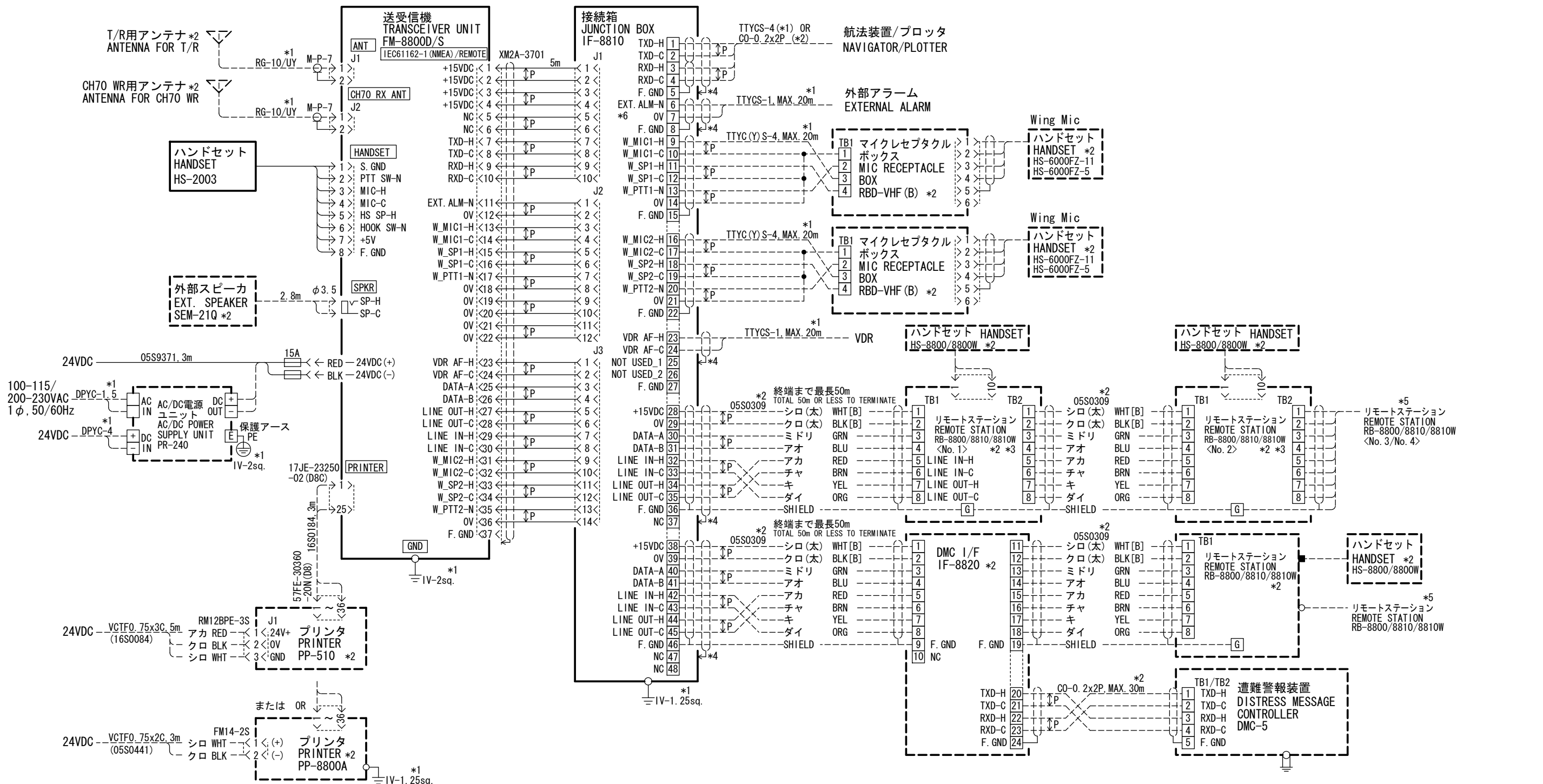
DRAWN	29/Aug/2016	T. YAMASAKI	TITLE	PP-8800A
CHECKED	29/Aug/2016	H. MAKI	各 名	プリンタ (埋込装備)
APPROVED	30/Aug/2016	H. MAKI	NAME	外寸図
SCALE	1/3	1/3	FM-8800/S	PRINTER (FLUSH MOUNT)
DWG. No.	C5642-G16-C	REF. No.	05-093-791G-1	OUTLINE DRAWING

A

B

C

D



CO-0. 2x2P: CO-SPEVV-SB-C 0. 2x2P, φ 10. 5

- 注記
- \*1) 造船所手配。
  - \*2) オプション。
  - \*3) 最大4台まで接続可能。
  - \*4) ケーブルクランプで接地。
  - \*5) 終端ユニットは内部のジャンパー (J2, J3) をONにする。
  - \*6) ノーマルクローズ、フローティング、最大80mA、耐圧≦50V。

- NOTE
- \*1. SHIPYARD SUPPLY
  - \*2. OPTION
  - \*3. MAX. 4 SETS AVAILABLE
  - \*4. GROUND THROUGH CABLE CLAMP.
  - \*5. CONNECT JUMPERS (J2 & J3) ON TERMINATED REMOTE STATION.
  - \*6. NORMAL CLOSE, FLOATING, MAX80mA, WITHSTAND VOLTAGE ≦50V.

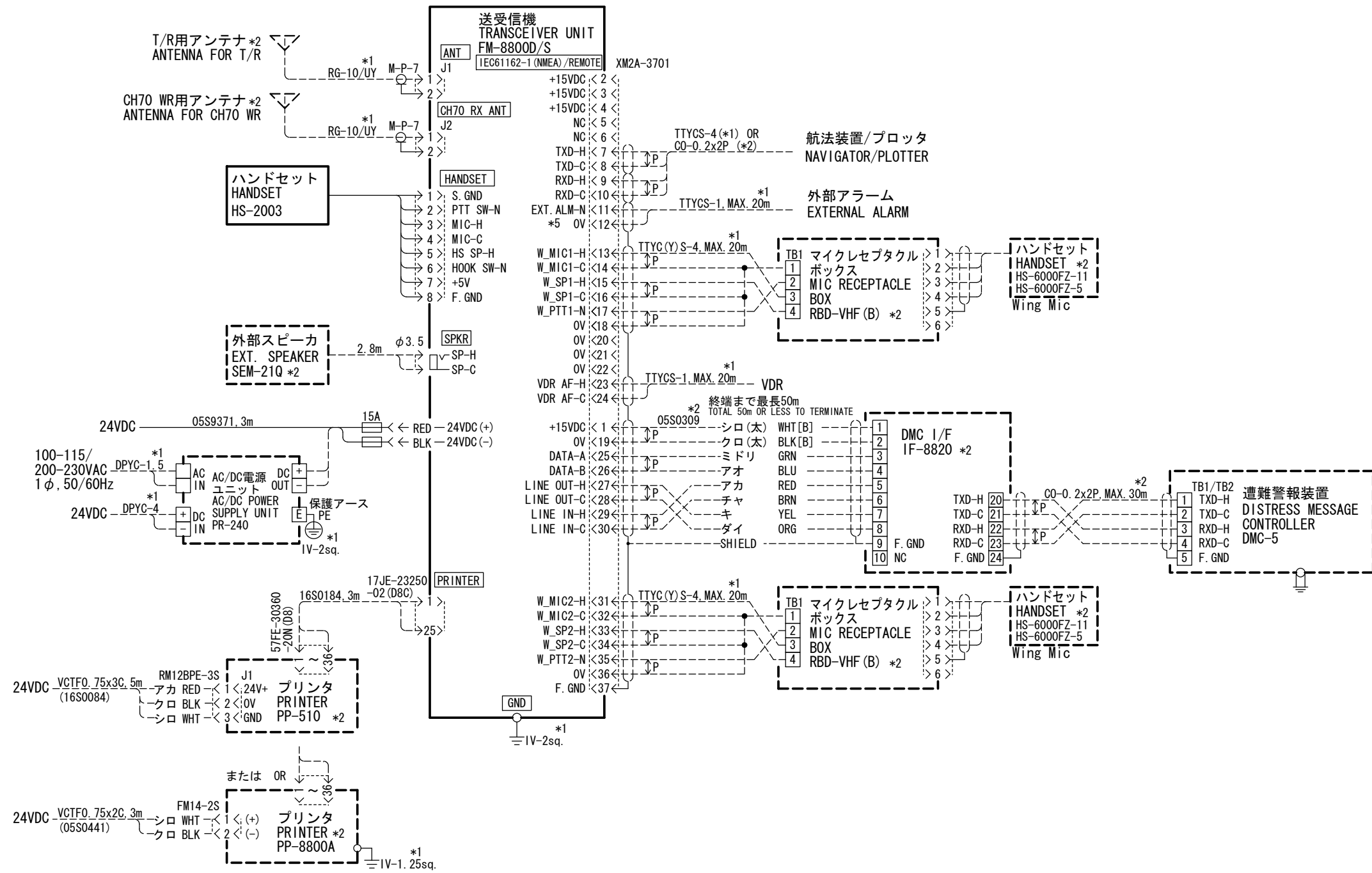
DRAWN	30/Nov/2010 T. YAMASAKI	TITLE	FM-8800D/S
CHECKED	30/Nov/2010 T. TAKAHASHI	名称	国際VHF無線電話装置
APPROVED	1/Dec/2010 Y.NISHIYAMA		相互結線図
SCALE	MASS kg	NAME	VHF RADIOTELEPHONE
DWG No.	C5642-C01- P		INTERCONNECTION DIAGRAM

A

B

C

D



CO-0.2x2P: CO-SPEVV-SB-C 0.2x2P, φ10.5

注記

- \*1) 造船所手配。
- \*2) オプション。
- \*3) 最大4台まで接続可能。
- \*4) ケーブルクランプで接地。
- \*5) ノーマルクローズ、フローティング、最大80mA、耐圧≤50V。

NOTE

- \*1. SHIPYARD SUPPLY
- \*2. OPTION
- \*3. MAX. 4 SETS AVAILABLE
- \*4. GROUND THROUGH CABLE CLAMP.
- \*5. NORMAL CLOSE, FLOATING, MAX80mA, WITHSTAND VOLTAGE ≤50V.

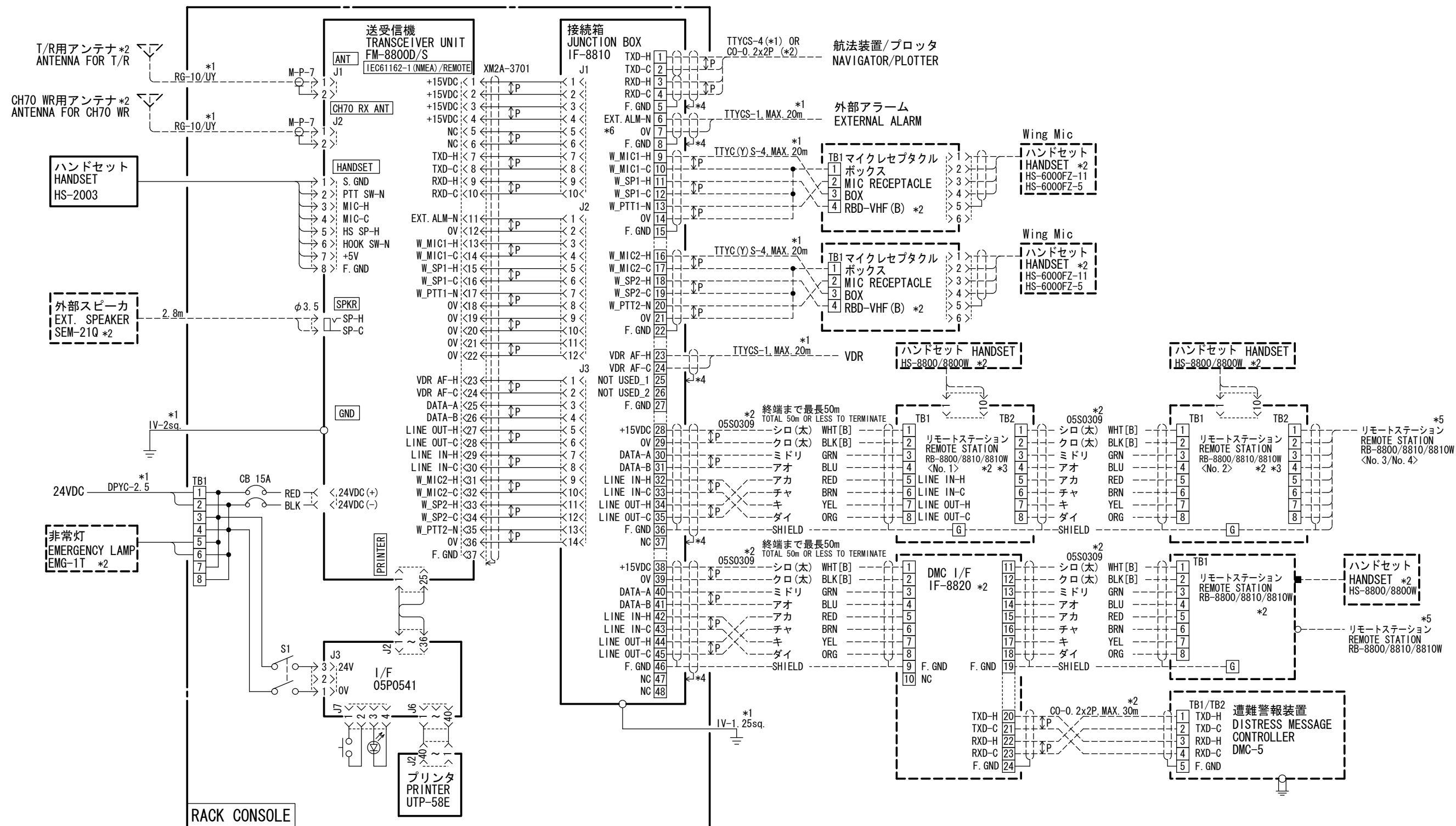
DRAWN	30/Nov/2010 T. YAMASAKI	TITLE	FM-8800D/S
CHECKED	30/Nov/2010 T. TAKAHASHI	名称	国際VHF無線電話装置 (接続箱なし)
APPROVED	1/Dec/2010 Y.NISHIYAMA		相互結線図
SCALE	MASS kg	NAME	VHF RADIOTELEPHONE (W/O JUNCTION BOX)
DWG No.	C5642-C03-G		INTERCONNECTION DIAGRAM

A

B

C

D



CO-0. 2x2P: CO-SPEVV-SB-C 0. 2x2P, φ 10. 5

- 注記
- \*1) 造船所手配。
  - \*2) オプション。
  - \*3) 最大4台まで接続可能。
  - \*4) ケーブルクランプで接地。
  - \*5) 終端ユニットは内部のジャンパー (J2, J3) をONにする。
  - \*6) ノーマルクローズ、フローティング、最大80mA、耐圧≤50V。

- NOTE
- \*1. SHIPYARD SUPPLY
  - \*2. OPTION
  - \*3. MAX. 4 SETS AVAILABLE
  - \*4. GROUND THROUGH CABLE CLAMP.
  - \*5. CONNECT JUMPERS (J2 & J3) ON TERMINATED REMOTE STATION.
  - \*6. NORMAL CLOSE, FLOATING, MAX80mA, WITHSTAND VOLTAGE ≤50V.

DRAWN	30/Nov/2010 T. YAMASAKI	TITLE	RC-8800D/S-B (FM-8800D/S)
CHECKED	30/Nov/2010 T. TAKAHASHI	名称	国際VHF無線電話装置 (ラック組込)
APPROVED	1/Dec/2010 Y. NISHIYAMA		相互結線図
SCALE	MASS kg	NAME	VHF RADIOTELEPHONE (RACK CONSOLE)
DWG No.	C5642-C04- C		INTERCONNECTION DIAGRAM