

FURUNO

OPERATOR'S MANUAL

取扱説明書

SATELLITE COMPASS™

サテライトコンパス™

Model **SCX-20**

NMEA 2000 Specification
NMEA 2000 仕様

ECF

(Elemental Chlorine Free)

The paper used in this manual
is elemental chlorine free.

- ・ 機器の修理・使用方法等に関するお問い合わせは、お買い上げの販売店・代理店、最寄りの
当社支店・営業所あてへお願いします。

FURUNO ELECTRIC CO., LTD.
古野電気株式会社

・ FURUNO Authorized Distributor/Dealer お問い合わせは

本書の無断複写複製(コピー)は特定の
場合を除き、当社権利侵害になります。

Printed in Japan

A : DEC. 2019
A3 : JUN. 23, 2021

Pub. No. OMC-72860-A3

(GREG) SCX-20



00019529310

IMPORTANT NOTICES

General

- This manual has been authored with simplified grammar, to meet the needs of international users.
- The operator of this equipment must read and follow the instructions in this manual. Wrong operation or maintenance can void the warranty or cause injury.
- Do not copy any part of this manual without written permission from FURUNO.
- If this manual is lost or worn, contact your dealer about replacement.
- The contents of this manual and the equipment specifications can change without notice.
- The example screens (or illustrations) shown in this manual can be different from the screens you see on your display. The screens you see depend on your system configuration and equipment settings.
- Save this manual for future reference.
- Any modification of the equipment (including software) by persons not authorized by FURUNO will void the warranty.
- The following concern acts as our importer in Europe, as defined in DECISION No 768/2008/EC.
 - Name: FURUNO EUROPE B.V.
 - Address: Ridderhaven 19B, 2984 BT Ridderkerk, The Netherlands
- The following concern acts as our importer in UK, as defined in SI 2016/1025 as amended SI 2019/470.
 - Name: FURUNO (UK) LTD.
 - Address: West Building Penner Road Havant Hampshire PO9 1QY, U.K.
- All brand, product names, trademarks, registered trademarks, and service marks belong to their respective holders.

How to discard this product

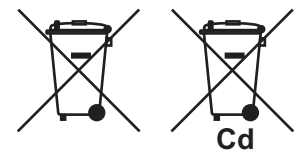
Discard this product according to local regulations for the disposal of industrial waste. For disposal in the USA, see the homepage of the Electronics Industries Alliance (<http://www.eiae.org/>) for the correct method of disposal.

How to discard a used battery

Some FURUNO products have a battery(ies). To see if your product has a battery, see the chapter on Maintenance. If a battery is used, tape the + and - terminals of the battery before disposal to prevent fire, heat generation caused by short circuit.

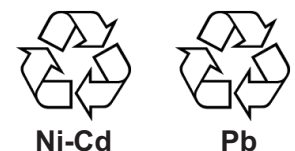
In the European Union

The crossed-out trash can symbol indicates that all types of batteries must not be discarded in standard trash, or at a trash site. Take the used batteries to a battery collection site according to your national legislation and the Batteries Directive 2006/66/EU.



In the USA

The Mobius loop symbol (three chasing arrows) indicates that Ni-Cd and lead-acid rechargeable batteries must be recycled. Take the used batteries to a battery collection site according to local laws.



In the other countries

There are no international standards for the battery recycle symbol. The number of symbols can increase when the other countries make their own recycle symbols in the future.



SAFETY INSTRUCTIONS

The operator and installer must read the applicable safety instructions before attempting to operate or install the equipment. Failure to comply with these safety instructions may cause injury, loss of life or damage to the equipment.

DANGER	Indicates a potentially hazardous situation which, if not avoided, will result in death or serious injury.
WARNING	Indicates a potentially hazardous situation which, if not avoided, could result in death or serious injury.
CAUTION	Indicates a potentially hazardous situation which, if not avoided, can result in minor or moderate injury.

Warning, Caution	Prohibitive Action	Mandatory Action
------------------	--------------------	------------------

Safety instructions for the installer

WARNING
Turn off the power at the mains before beginning the installation. Fire, electrical shock or serious injury can result if the power is left on or is applied while the equipment is being installed.
ELECTRICAL SHOCK HAZARD Do not open the equipment unless totally familiar with electrical circuits and service manual. Only qualified personnel should work inside the equipment.
Use the specified power cable. Fire can result if an incorrect cable is used.
Do not disassemble or modify the equipment. Fire, electrical shock or serious injury can occur.

CAUTION		
	Observe the following safe compass distances to prevent interference to a magnetic compass:	
	Standard compass	Steering compass
Satellite Compass SCX-20	0.30 m	0.30 m
	Ground the equipment to prevent electrical shock and mutual interference.	

Safety instructions for the operator









 WARNING	 CAUTION
 <p>ELECTRICAL SHOCK HAZARD Do not open the equipment unless totally familiar with electrical circuits and service manual.</p> <p>Only qualified personnel should work inside the equipment.</p>	 <p>Do not connect/disconnect the signal cable while turning the power on.</p> <p>The unit may be damaged.</p>
 <p>Do not disassemble or modify the equipment.</p> <p>Fire, electrical shock or serious injury can occur.</p>	 <p>No single navigation aid (including this unit) should ever be relied upon as the exclusive means for navigating your vessel.</p> <p>The navigator is responsible for checking all aids available to confirm his position. Electronic aids are intended to assist, not replace, the navigator.</p>
 <p>Turn off the power immediately if water leaks into the equipment or smoke or fire is coming from the equipment.</p> <p>Failure to turn off the equipment can cause fire or electrical shock. Contact a FURUNO agent for service.</p>	
 <p>Use the correct fuse.</p> <p>Use of a wrong fuse can result in damage to the equipment.</p>	

TABLE OF CONTENTS

FOREWORD	v
SYSTEM CONFIGURATION	vi
EQUIPMENT LIST	vii
1. INSTALLATION	1-1
1.1 Installation Considerations	1-1
1.2 Platform Mount.....	1-2
1.2.1 Required tools	1-2
1.2.2 How to mount the Antenna Unit	1-2
1.3 Pole Mount	1-4
1.3.1 Installation notices.....	1-4
1.3.2 Required tools	1-5
1.3.3 How to assemble the pole mount kit	1-5
1.3.4 How to mount the Antenna Unit	1-6
1.4 Roof Mount.....	1-7
1.4.1 Installation notices.....	1-7
1.4.2 Required tools	1-8
1.4.3 How to mount the Antenna Unit	1-8
1.5 Antenna Mounting Base (option).....	1-10
1.5.1 Installation notices.....	1-11
1.5.2 Required tools	1-11
1.5.3 How to mount the Antenna Unit	1-11
1.6 Bird Deterrents (Option)	1-14
1.7 Snow Cover Kit (Option)	1-14
1.8 Wiring with Other Equipment	1-14
2. INITIAL SETTINGS	2-1
2.1 [GNSS Setup] Menu.....	2-2
2.2 [Sensor] Menu	2-3
2.3 [Input/Output] Menu	2-4
2.4 [System] Menu	2-5
3. MAINTENANCE	3-1
3.1 Preventative Maintenance.....	3-1
3.2 Troubleshooting	3-1
APPENDIX 1 MENU TREE	AP-1
APPENDIX 2 GEODETIC CHART CODES	AP-4
APPENDIX 3 WHAT IS SBAS?	AP-5
SPECIFICATIONS	SP-1
PACKING LISTS	A-1
OUTLINE DRAWINGS	D-1
INTERCONNECTION DIAGRAM	S-1

FOREWORD

A Word to the Owner of the SCX-20

FURUNO Electric Company thanks you for purchasing the FURUNO SCX-20 Satellite Compass™. We are confident you will discover why the FURUNO name has become synonymous with quality and reliability.

Since 1948, FURUNO Electric Company has enjoyed an enviable reputation for quality and reliability throughout the world. This dedication to excellence is furthered by our extensive global network of agents and dealers.

Your equipment is designed and constructed to meet the rigorous demands of the marine environment. However, no machine can perform its intended function unless properly operated and maintained. Please carefully read and follow the operation and maintenance procedures in this manual.

We would appreciate feedback from you, the end-user, about whether we are achieving our goal.

Thank you for considering and purchasing FURUNO equipment.

Features

The SCX-20 is a new Satellite Compass™ designed with FURUNO advanced GPS kinematic technology. This compass has a wide range of applications for both land and sea vessels.

The main features are:

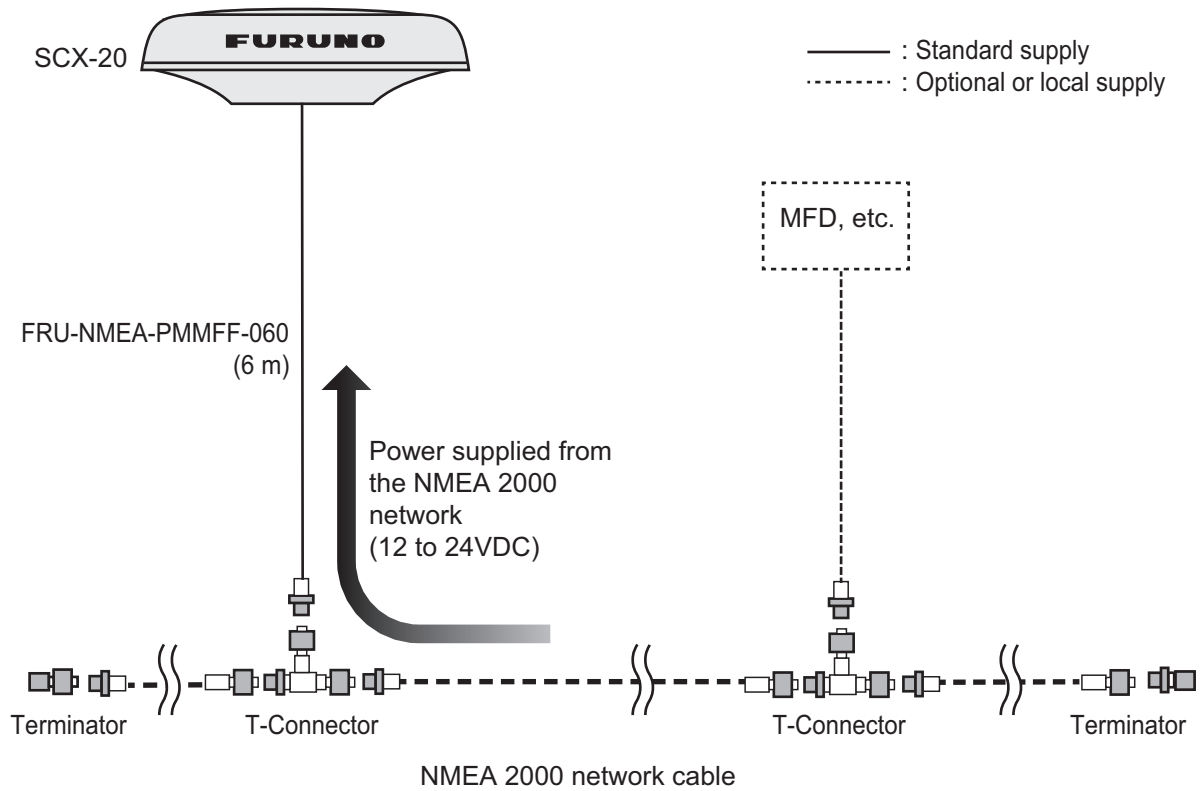
- Heading accuracy of 0.5° RMS (1.0° when stationary).
- Perfect for use as a heading sensor for RADAR/TT, Echo trails, AIS, Autopilot and scanning SONARs.
- Outputs accurate heading, position, time, speed and course.
- Pitch and roll output in digital format for ship's motion correction.
- Heave output allows for heave compensation.
- Attitude settling time of 60 seconds.
- Outputs data in NMEA 2000 format.
- Aesthetically pleasing antenna fits nicely on recreational boats.

Program numbers

Unit & PC Board	PCB/Application	Program No.*
Antenna Unit	STARTER	2051599 01.xx
	BOOTER	2051600 01.xx
	APL	2051601 01.xx
	GNSS (1 to 4)	48505230 xx

*: "xx" denotes version number.

SYSTEM CONFIGURATION



EQUIPMENT LIST

Standard supply

Name	Type	Code No.	Qty.	Remarks
Antenna Unit	SCX-20	-	1	For NMEA 2000
Installation Materials	CP20-04600	000-036-768	1 (Select one)	For roof mount kit of antenna unit. Includes cable FRU-NMEA-PMMFF (6 m).
	CP20-04610	000-036-769		For pole mount kit of antenna unit with cable FRU-NMEA-PMMFF (6 m).
	CP20-04620	000-036-770		For pole mount kit (w/Mast Mounting Kit CP20-04605*) of antenna unit. Includes cable FRU-NMEA-PMMFF (6 m). *: Includes Fixing Support Fixture, Pipe and Hose Clamp (ϕ 25 to 35 mm), and 20A to 25A (ϕ 35 to 50 mm) diameter mast installations.

Optional supply

Name	Type	Code No.	Remarks
Cable Assembly	FRU-NMEA-PMMFF-010	001-533-060	For NMEA 2000 network, 1 m
	FRU-NMEA-PMMFF-020	001-533-070	For NMEA 2000 network, 2 m
	FRU-NMEA-PMMFF-060	001-533-080	For NMEA 2000 network, 6 m
Right Angle Mounting-Base	NO.13-QA330	001-111-910-10	
Micro T-connector	FRU-MM1MF1MF1001	001-507-050	
Termination Resistor (Micro)	FRU-MM1000000001	001-507-070	
	FRU-MF000000001	001-507-060	
Roof Mount Kit*	CP20-04602	001-556-170	
Pole Mount Kit*	CP20-04603	001-556-200	
Mast Mounting Kit*	CP20-04605	001-556-240	Requires CP20-04603.
Hose Clamp (Large)	OP20-52	001-556-260	For 32A to 40A (ϕ 35 to 50 mm) diameter mast installations.
Bird-Repellent Fixture	OP20-54	001-556-280	2 pcs.
Snow Cover Kit	OP20-53	001-556-320	

*: Select the appropriate kit depending on the installation location and configuration.

This page is intentionally left blank.

1. INSTALLATION

NOTICE

Do not apply paint, anti-corrosive sealant or contact spray to coating or plastic parts of the equipment.

Those items contain organic solvents that can damage coating and plastic parts, especially plastic connectors.

You can install the antenna unit as follows. See the outline drawings at the back of this manual.

- Platform mount, fixed from bottom (section 1.2)
- Pole mount (section 1.3)
- Roof mount, fixed from top (section 1.4)
- Antenna Base mount (section 1.5, option)

Use the NMEA 2000 Antenna cable (FRU-NMEA-PMMFF-060) for installation.

1.1 Installation Considerations

When selecting a mounting location, keep in mind the following points:

- Keep the length of the antenna cable in mind when selecting a mounting location.
- Make sure the mounting location is strong enough to support the weight of the unit. See the outline drawings at the back of the manual.
- Leave enough space around the unit for service and maintenance. See the outline drawings at the back of this manual for minimum service clearance.
- The sensor should be separated more than three meters from Inmarsat F/FB antennas. Select a location outside this transmission area.
- Do not bundle the antenna cable with radio equipment cables. When these noise reductions are insufficient, adjust the squelch on the radio equipment.
- Select a location with no obstructions to the radio waves.
- Select a location with no local vibration or impact (including vibrations generated by an engine or the mounting mast for this equipment) for the GPS sensor in the antenna unit.
- Observe the compass safe distances (see page iii) to prevent interference to a magnetic compass.

How to select the installation site

The installation site must satisfy the conditions described in the antenna installation procedure at the back of this manual (Dwg. No. C7286-Y01-*).

1.2 Platform Mount

The antenna unit is mounted on a level platform, with the fixing screws inserted from the underside of the unit.

1.2.1 Required tools

The following tools should be prepared in advance for this installation.

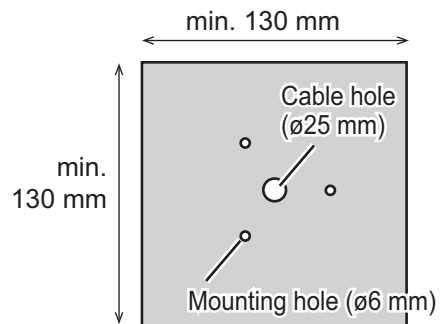
Name	Remarks
Electrical Drill	For making the mounting holes
Drill Bit	φ6
Hole Saw	For making the cable hole (φ25 mm)
File	For smoothing the cut edge of the cable hole
Phillips-head Screwdriver	#2
Self-vulcanizing tape	For waterproofing the connector
Vinyl tape	For waterproofing the connector

1.2.2 How to mount the Antenna Unit

- Construct a suitable mounting platform, minimum size 130 mm × 130 mm. If corrosive material is used, take necessary anti-corrosion measures.

Note: The mounting platform must be flat, level and firmly secured.

- Referring to the outline drawing at the back of this manual, drill three mounting holes (φ6 mm) and a cable hole for passing the supplied antenna in the mounting platform. The diameter of a cable hole is φ25±2 mm for SCX-20.

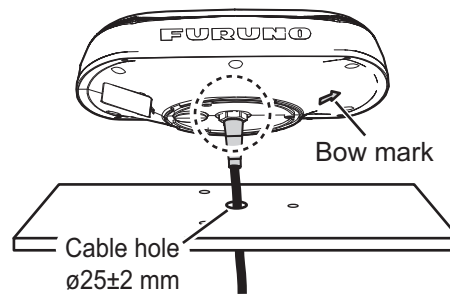


Note: Place the antenna unit on the platform, then orient the unit so the bow mark on its base is facing the ship's bow.

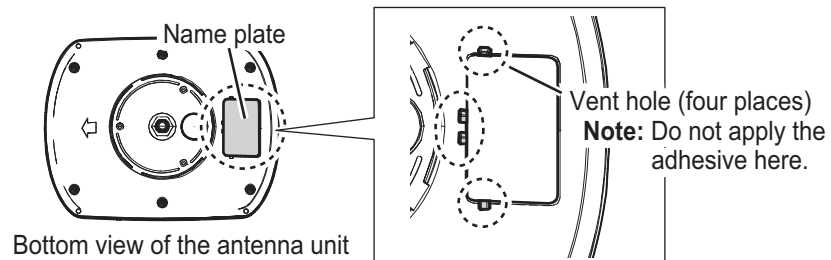


- Pass the antenna cable through the hole made at step 2 so the connector of the antenna cable exits on the upper side of the mounting platform.

4. Connect the antenna cable to the antenna unit connector.

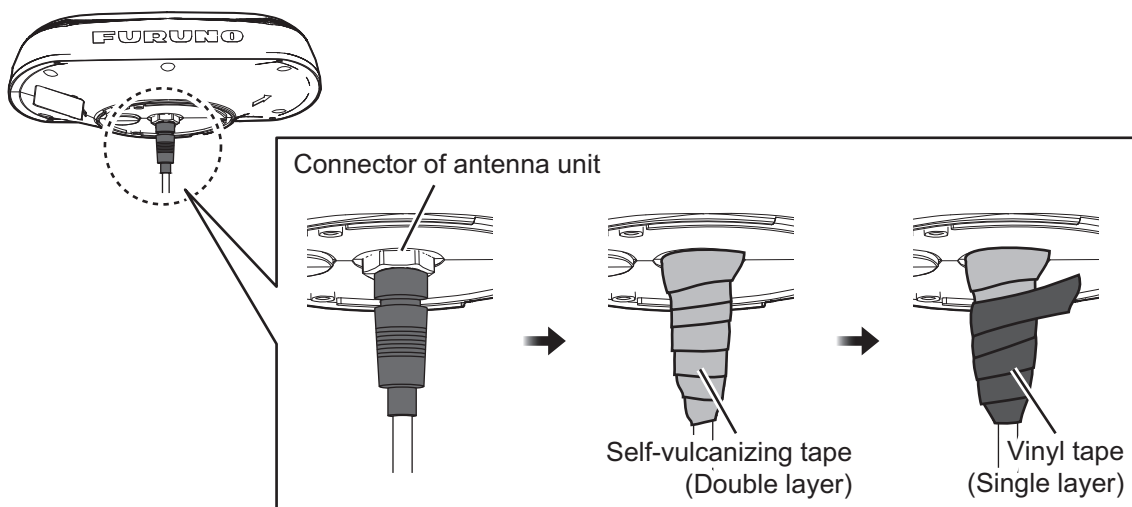


Note: DO NOT apply the supplied adhesive to the four vent holes near the name plate.



5. Wrap self-vulcanizing tape **twice** at the junction between connectors of the antenna unit and the antenna cable. Then wrap vinyl tape **once** over the self-vulcanizing tape for waterproofing.

Note: Wrap the tapes so as to cover both connectors of the antenna unit and the antenna cable.

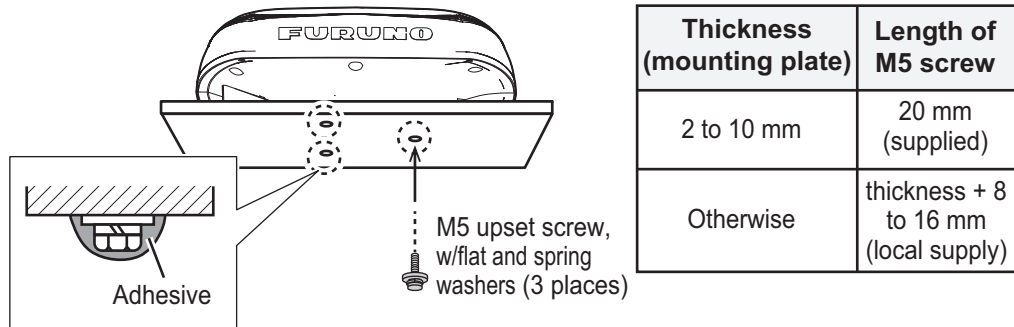


6. Adjust the direction of the antenna unit so the bow mark on its base is facing the ship's bow.

Note: When the antenna unit is placed on the platform, make sure that the platform is not inclined.

1. INSTALLATION

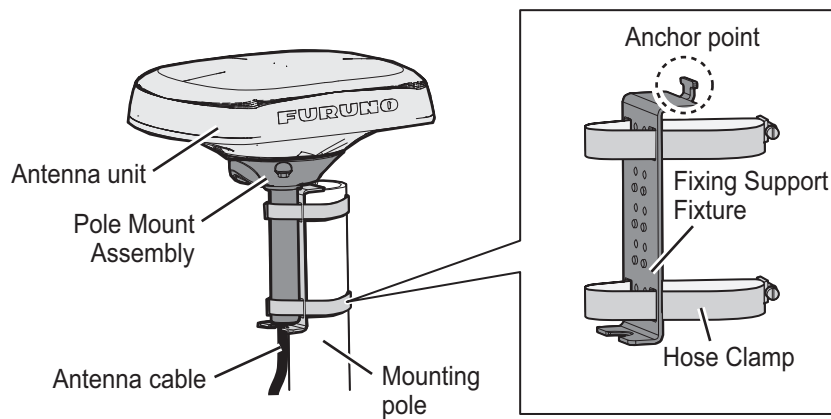
- Fasten the antenna unit to the mounting location with the three sets of supplied upset screws (M5×20, flat and spring washers attached) from the bottom through the mounting holes at step 2. After fastening the screws, coat the screw heads with the supplied adhesive.



Note: Screw length is dependent on the thickness of the mounting platform.

1.3 Pole Mount

Combine the antenna unit with the pole mount kit then attach the antenna unit assembly to the mounting pole.

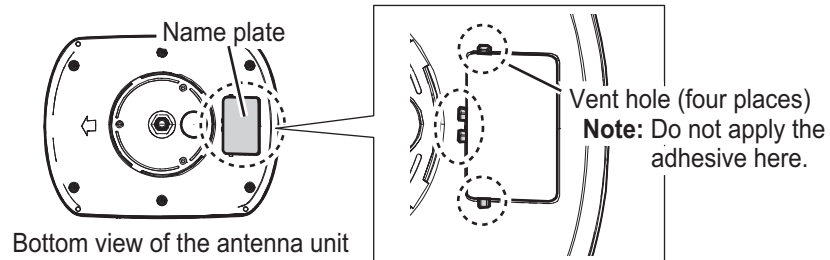


1.3.1 Installation notices

- The diameter of the mounting pole must be 25 to 50 mm.
- Use the **supplied** pole mount kit and the **supplied** fixing support fixture for the pole mount installation so that the bow mark of the antenna unit faces to the bow.
- Select the correct clamp size of the pole mount kit fixture considering the diameter of the mounting pole.

Name	Mast diameter	Remarks
Hose Clamp	For 20A to 25A (φ25 to 35 mm)	Standard supply with CP20-04603
	For 32A to 40A (φ35 to 50 mm)	Optional supply (OP20-52).

- DO NOT apply the supplied adhesive to the four vent holes near the name plate.



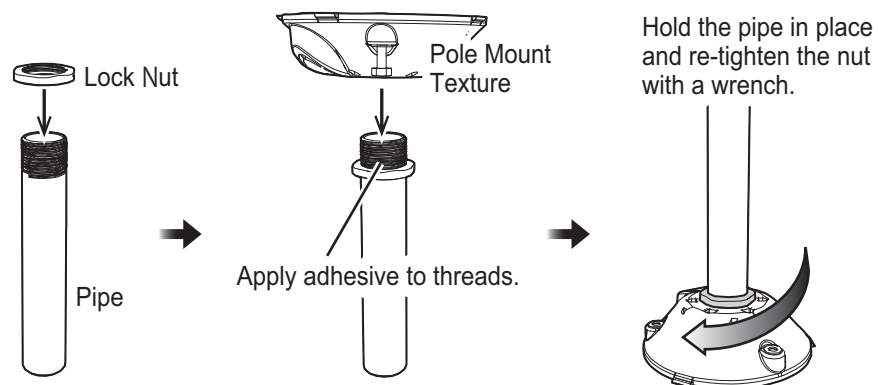
1.3.2 Required tools

The following tools should be prepared in advance for this installation.

Name	Remarks
Phillips-head Screwdriver	#2
Slotted Head Screwdriver	For clamp bolts.
Wrench	<ul style="list-style-type: none"> • For fixing the lock nut (opposite side dist. 32 mm) • For fixing pole mount texture (opposite side dis. 8 mm))
Cable tie	Two pieces (at least), for fixing the antenna cable.
Putty	For securing the cable entrance of the pipe.

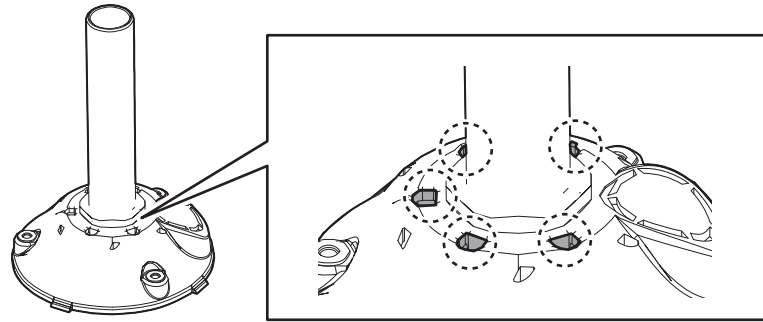
1.3.3 How to assemble the pole mount kit

1. Thread the supplied lock nut onto the supplied pipe then tighten to the end of thread as shown in the figure below.
2. Apply the adhesive around the threads of the pipe then attach the pole mount texture to the pipe.
3. Turn the assembly upside down, hold the pipe steady and tighten the lock nut again with a wrench. The torque must be 15 N•m.



4. Wipe off the excess adhesive.
Note: Do not cover the five drain holes (shown in the figure below) with the adhesive.

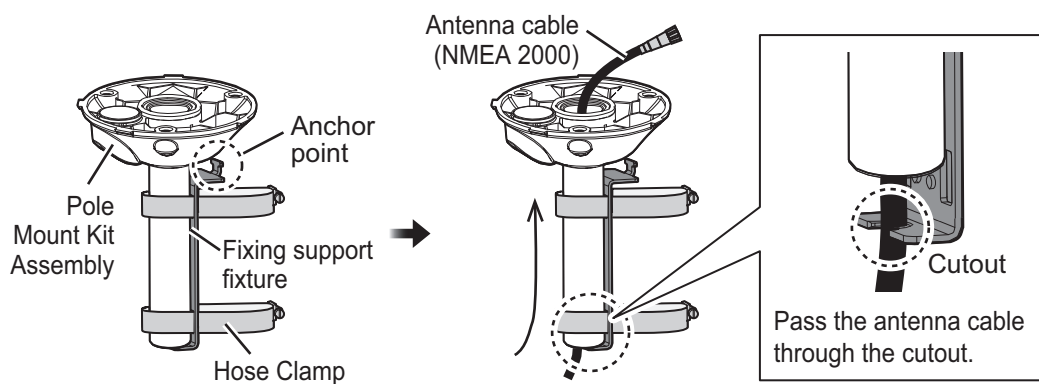
1. INSTALLATION



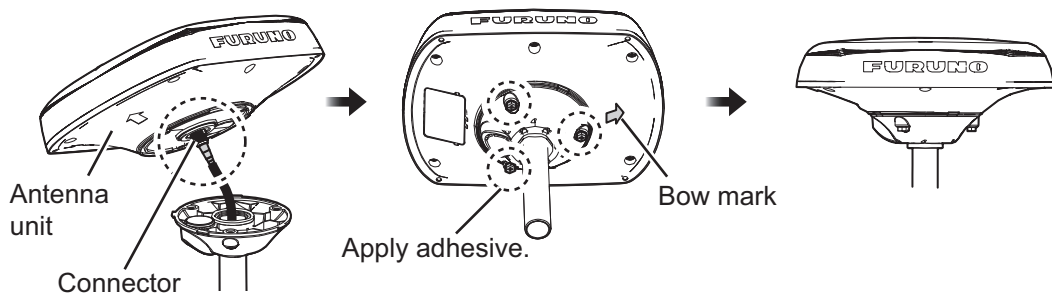
1.3.4 How to mount the Antenna Unit

1. Set the hose clamps on the pole mount kit assembly and pass the antenna cable for NMEA 2000 through the pipe of the mast mounting kit from the underside.

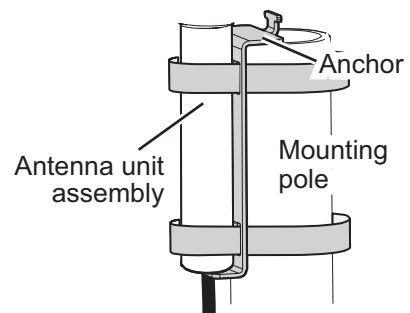
Note: Make sure the anchor point of the fixing support fixture faces upward.



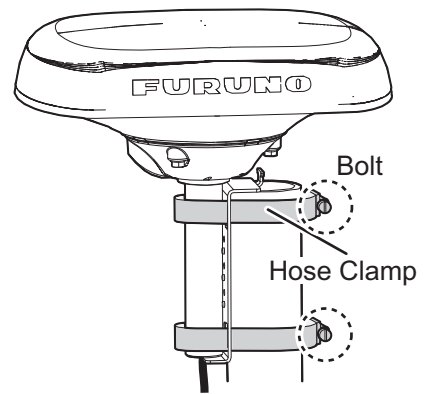
2. Connect the antenna cable for NMEA 2000 to the connector of the antenna unit. Secure the antenna unit with the three supplied M5 screws from the underside. After fixing screws, coat the screw heads with the supplied adhesive.



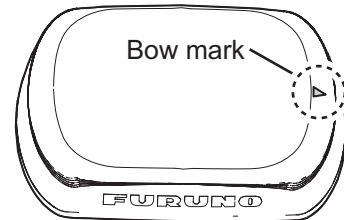
3. Set the antenna unit assembly to the mounting pole so that the anchor of the fixing support fixture is on the top of the mounting pole as shown in the figure at right.



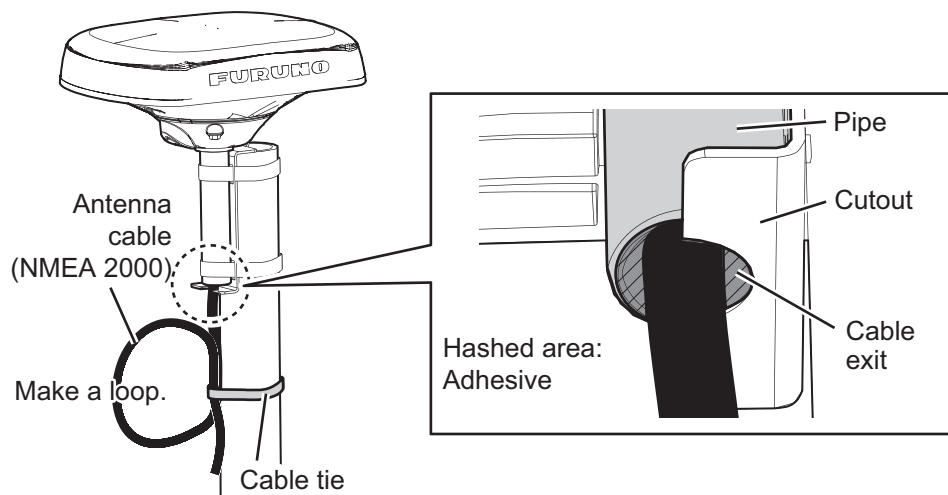
- Loosely hand tighten the hose clamps so that you easily adjust the position of the antenna later in this procedure.



- Adjust the direction of the antenna unit so the bow mark is facing the ship's bow.



- Fasten the hose clamps to fix the antenna unit.
- Make a loop in the antenna cable, then fix the looped section to the pole as shown in the figure below.



- Apply putty (local supply) to the cable exit, to secure the cable.

1.4 Roof Mount

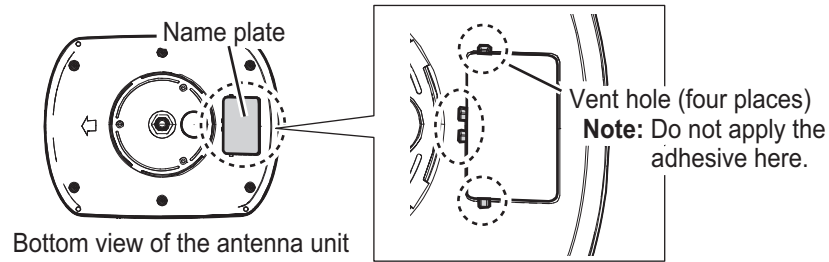
The optional Roof Mount Kit (OP20-04602) is used to mount the antenna unit on the roof (overhead), with the fixing screws inserted from the top of the antenna unit.

1.4.1 Installation notices

- The mounting platform must be flat. Do not install the unit on an uneven surface.
- DO NOT apply the adhesive to the area between the roof mount kit and the mounting platform, or between the antenna unit and the roof mount kit. See step 9 on page 1-10 for details.

1. INSTALLATION

- DO NOT apply the adhesive to the four vent holes near the name plate.



1.4.2 Required tools

The following tools should be prepared in advance for this installation.

Name	Remarks
Hole Saw	For making the cable hole ($\phi 25$ mm)
File	For smoothing the cut edge of the cable hole
Phillips-head Screwdriver	#2

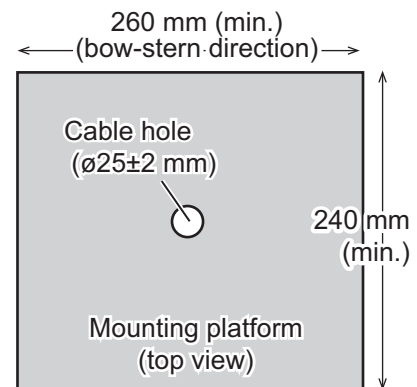
1.4.3 How to mount the Antenna Unit

1. Construct a suitable mounting platform, minimum size 260 mm (bow-stern) \times 240 mm. If corrosive material is used, take necessary anti-corrosion measures.

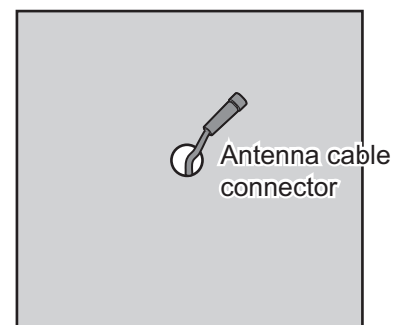
Note: The mounting platform must be flat, level and firmly secured.

2. Make a cable hole ($\phi 25 \pm 2$ mm) for passing the supplied antenna cable through the center of the mounting platform.

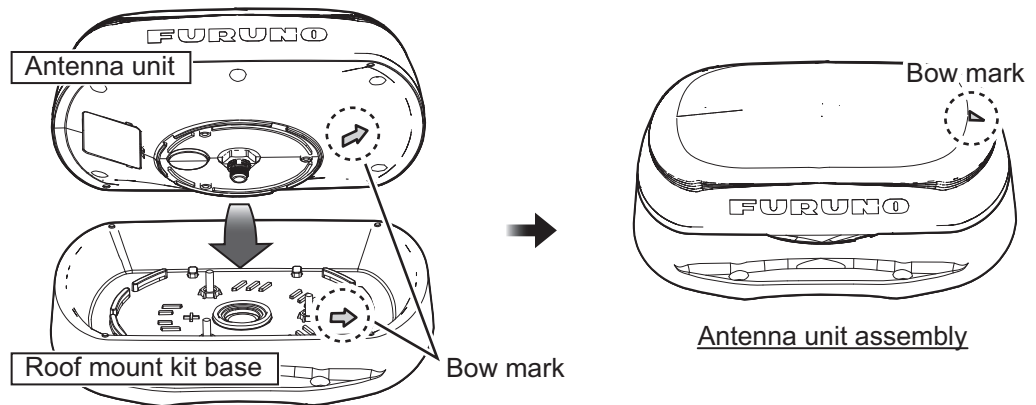
Note: The cable hole should be made according to the above specifications. An excessively large hole can result in water leakage. Alternatively, an excessively small hole can prevent cable routing.



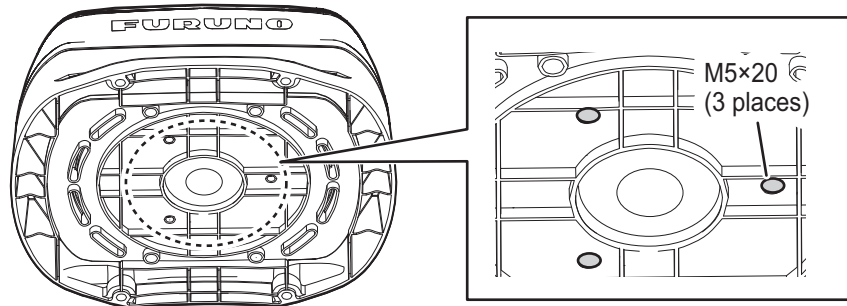
3. Pass the NMEA 2000 antenna cable through the hole made at step 2 so the connector of the antenna cable exits on the upper side of the mounting platform.



- Set the antenna unit on the roof mount kit so the bow marks for the antenna unit and the roof mount kit base are aligned.



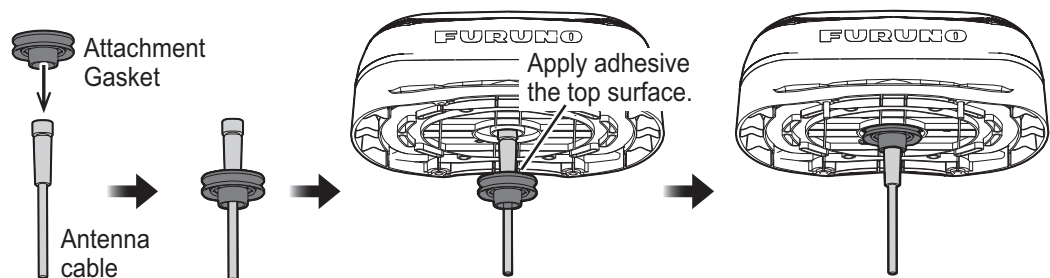
- Turn the antenna unit assembly upside-down, then secure the antenna unit to the kit base with the supplied three screws (M5×20).



- Attach the supplied attachment gasket to the antenna cable. Apply the supplied adhesive to top of the attachment gasket and then connect the antenna cable to the bottom of the antenna unit assembly.

Note 1: When attaching the gasket to the antenna cable, take note of the direction of the gasket referring to the figure below.

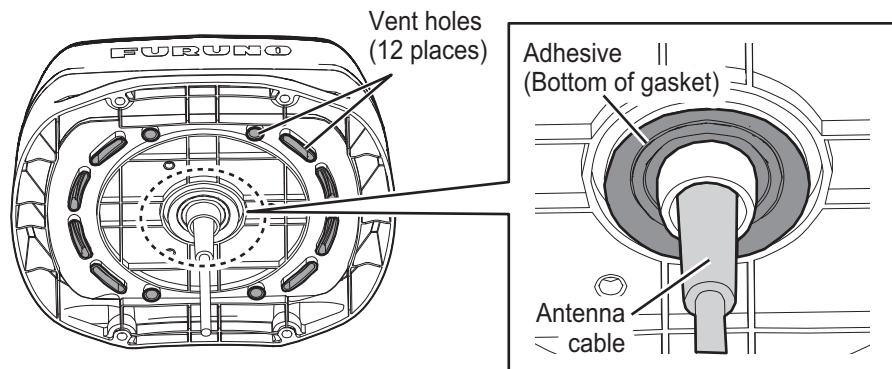
Note 2: Before attaching the gasket to the antenna unit, apply the supplied adhesive (TB5211) to the top surface of the gasket, where it contacts the antenna unit.



1. INSTALLATION

7. Apply the supplied adhesive (TB5211) to the bottom of the attachment gasket.

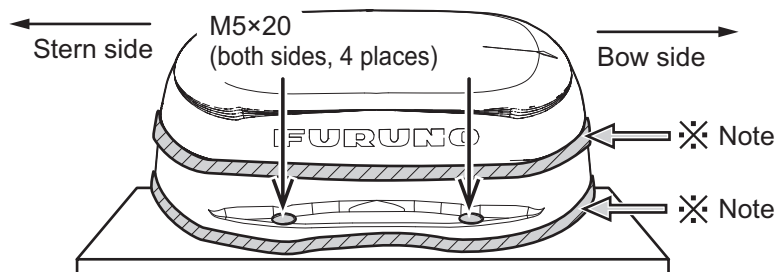
Note: DO NOT apply the adhesive to the vent holes.



8. Set the antenna unit assembly so the bow mark (see step 4) on the top of the antenna unit is facing the ship's bow.

9. Apply the supplied adhesive TB5211 to the threads of the supplied screws (M5×20), then fasten the antenna unit assembly with their screws from the top.

Note: DO NOT apply the adhesive to the contact areas (Hashed areas in the figure below) between the roof mount kit and a mounting platform and between the antenna unit and the roof mount kit.



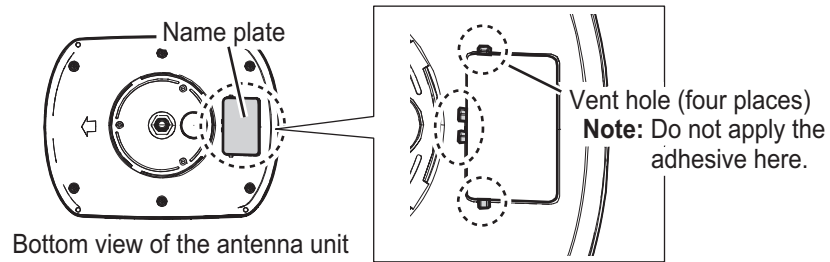
1.5 Antenna Mounting Base (option)

The antenna unit can be mounted on the following locations, using the optional right angle mounting base (NO.13-QA330).

- Inclined surface (adjustable up to 35°)
- Narrow, flat surface

1.5.1 Installation notices

- Do not install the unit on an uneven surface.
- DO NOT apply the adhesive to the four vent holes near the name plate.



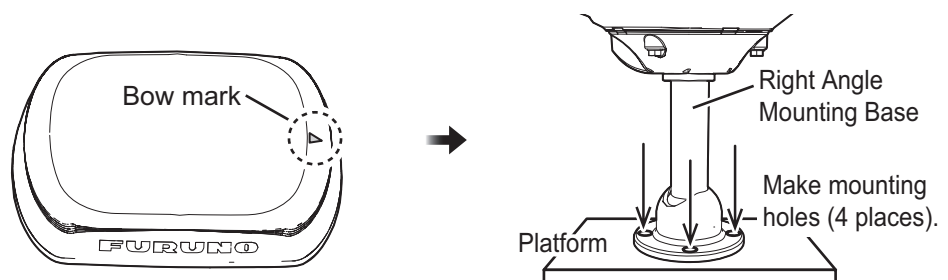
1.5.2 Required tools

The following tools should be prepared in advance for this installation.

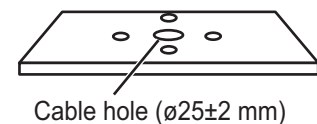
Name	Remarks
Electrical Drill	For making the mounting holes
Drill Bit	$\phi 4.2$ to 5
Hole Saw	For making the cable hole ($\phi 25$ mm)
File	For smoothing the cut edge of the cable hole
Phillips-head Screwdriver	#2

1.5.3 How to mount the Antenna Unit

1. Attach the pole mount kit to the antenna base referring to subsection 1.3.3.
Note: The pipe included in the pole mount kit is not used.
2. Set the antenna base to the mounting location considering the tilt direction, and make four mounting holes ($\phi 4.2$ to 5 mm) on the mounting platform.
Note: The possible tilt direction of the antenna base depends on the setting position of the antenna base.

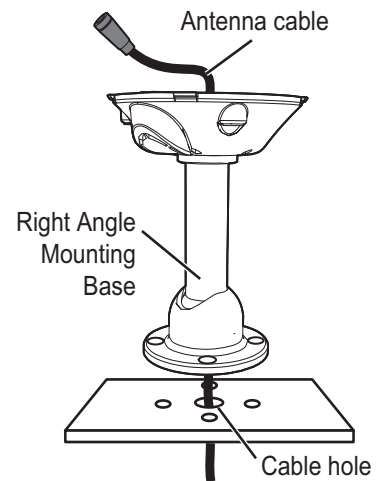


3. Make an antenna cable hole ($\phi 25 \pm 2$ mm) at the center of the four mounting holes for passing the supplied NMEA 2000 antenna cable through the mounting platform.

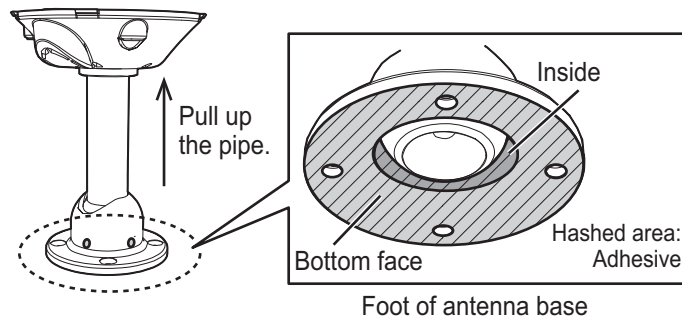


1. INSTALLATION

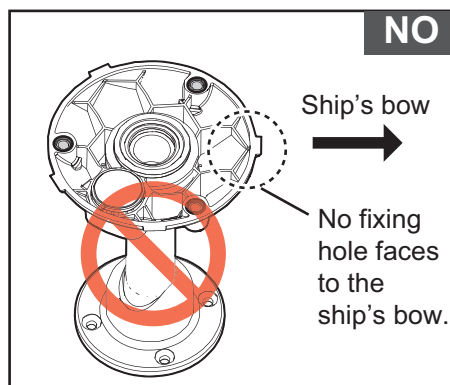
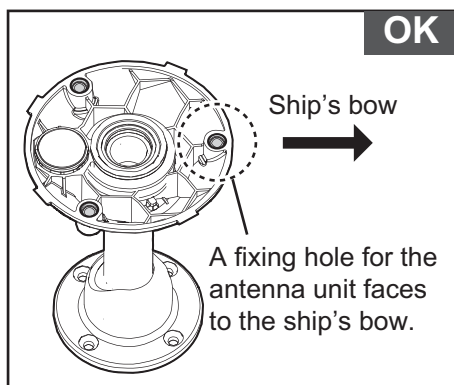
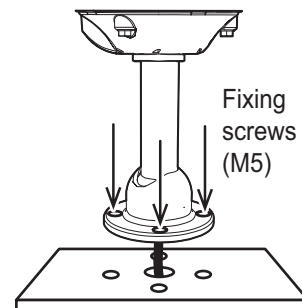
4. Pass the NMEA 2000 antenna cable through the mounting platform and the pipe of the antenna base from the underside of the antenna base.



5. Pull the pipe slightly upwards then apply the supplied adhesive to the inside and bottom face the antenna base footing.

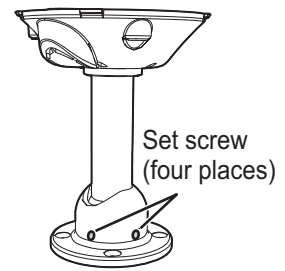


6. Fit the antenna base to the platform so that the mounting holes are aligned with each other. Adjust the direction of the pipe while keeping in mind the fixing hole is pointed towards the ship's bow as illustrated below.



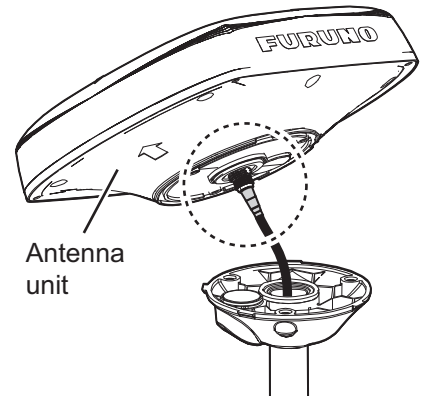
1. INSTALLATION

- Remove hex socket head bolts one by one and fasten the supplied screws with adhesive loosely. After loosely fastening four screws, fasten them tightly then wipe off the excess adhesive.
Note: The adhesive takes approximately 30 minutes to adhere.

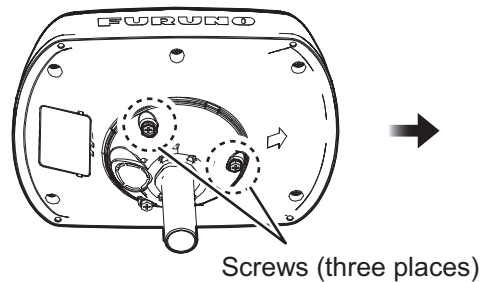


Antenna base

- Connect the NMEA 2000 antenna cable to the bottom of the antenna unit.



- Secure the antenna unit with the supplied three M5 screws from the underside.



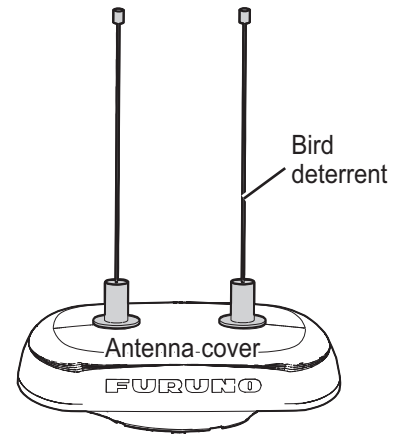
- Loosen the hex socket head bolts (see step 5) with the supplied hex key wrench then adjust the direction of antenna base so the bow mark on its base is facing the ship's bow. After adjusting, tighten the hex socket head bolts on the antenna base again.



1.6 Bird Deterrents (Option)

The optional bird deterrents (OP20-54) can help keep birds from resting on your antenna.

Remove the double-sided tape from two bird deterrents, then attach the deterrents to the antenna cover. Coat around the contact area of both bird deterrents with the supplied adhesive.



1.7 Snow Cover Kit (Option)

The optional Snow Cover Kit (OP20-53) is available to reduce snow build-up on your antenna.

To install this kit, see the instructions (C72-01901) supplied with the kit.

1.8 Wiring with Other Equipment

Using the supplied cable assembly, connect the antenna cable of this equipment to the NMEA 2000 network backbone. Refer to "SYSTEM CONFIGURATION" on page vi for details.

This equipment connects to the devices in an NMEA 2000 network.

- This equipment: 4 LEN at 9 V
- Connect equipment to the backbone with T-type connectors.
- Terminators are required for both ends of the backbone cable.
- We recommended that power from the NMEA 2000 network be input at the center of the backbone.

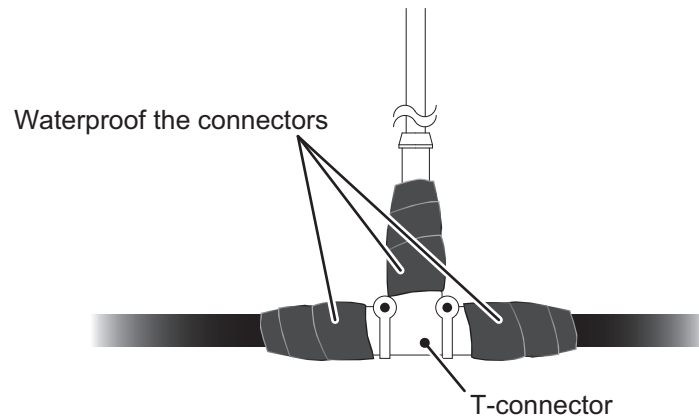
What is NMEA 2000 (CAN) bus?

CAN bus is a communication protocol (NMEA 2000 compliant) that shares multiple data and signals through a single backbone cable. You can simply connect any CAN bus devices onto the backbone cable to expand your network on-board. With CAN bus, IDs are assigned to all the devices in the network, and the status of each sensor in the network can be detected. All the CAN bus devices can be incorporated into the CAN bus network. For detailed information about CAN bus wiring, see "Furuno CAN bus Network Design Guide" (Type: TIE-00170).

Guideline for Connecting

Follow these guidelines when selecting a mounting location.

- Where the cable connectors and NMEA 2000 connectors are subjected to moisture or water spray, waterproof the connectors as shown below.
 1. Wrap the connection point with a single layer of vinyl tape.
 2. Wrap one layer of self-bonding tape over the vinyl tape.
 3. Wrap two layers of vinyl tape over the self-bonding tape.



1. INSTALLATION

This page is intentionally left blank.

2. INITIAL SETTINGS

When the unit is powered for the first time, it is in a “cold start” state, meaning there is no satellite data (almanac data) stored. In this state, the unit searches for, and stores, satellites to find its heading. This process takes approximately 60 seconds.

If the heading is not found within 30 minutes, the antenna installation location may not be suitable. Ensure an unobstructed path between the SCX-20 and satellites. Once a heading has been found, initial settings should be done.

If the installed heading error is found to be 5° or higher, physically turn the antenna while monitoring the heading indication to reduce the error as much as possible. Errors less than 5° can be adjusted in software.

Initial settings can be done via the NMEA 2000 network with one of the following methods:

- Access the setting menu of the SCX-20 from compatible equipment
 - TZTL12F/TZTL15F/TZT2BB: Software version must be “06.01” or later.
 - NAVpilot-300: Software version of the control unit must be “01.07” or later, and software version of the processor unit must be “01.06” or later.
 - TZT12F/TZT16F/TZT19F

See the operator’s manual of the equipment used to access the SCX-20 for how to access the setting menu.

- Connect a PC and setup the SCX-20 using the SC setting tool

You can download the SC setting tool from the quick response code to the right. For how to use the SC setting tool, see the operator’s manual of the SC setting tool (OME-72851).



Note 1: If the SCX-20 is re-booted, re-connection is required to access the SCX-20 menu.

Note 2: This manual provides descriptions for the SCX-20 setting menu that you can access from the compatible equipment. See the menu tree at the back of this manual for menu details.

Note 3: This manual uses the TZTL15F for menu examples and screenshots. Displayed data, menus and layouts may differ on your equipment.

2.1 [GNSS Setup] Menu

You can disable (ignore) satellites and adjust the elevation mask from the [GNSS Setup] menu.

Menu item	Description
[Disable SV]	
[QZSS All]	Select [YES] to ignore all QZSS system satellites.
[QZSS] → [QZSS1]	You can ignore individual QZSS system satellites by specifying the satellite number. A maximum of three satellites can be ignored. Note: When [QZSS All] is set to [YES], the setting values for [QZSS1] to [QZSS3] are automatically changed to "0".
[QZSS] → [QZSS2]	
[QZSS] → [QZSS3]	
[GPS All]	Select [YES] to ignore all GPS system satellites.
[GPS] → [GPS1]	You can ignore individual GPS system satellites by specifying the satellite number. A maximum of three satellites can be ignored. Note: When [GPS All] is set to [YES], the setting values for [GPS1] to [GPS3] are automatically changed to "0".
[GPS] → [GPS2]	
[GPS] → [GPS3]	
[GLONASS All]	Select [YES] to ignore all GLONASS system satellites.
[GLONASS] → [GLONASS1]	You can ignore individual GLONASS system satellites by specifying the satellite number. A maximum of three satellites can be ignored. Note: When [GLONASS All] is set to [YES], the setting values for [GLONASS1] to [GLONASS3] are automatically changed to "0".
[GLONASS] → [GLONASS2]	
[GLONASS] → [GLONASS3]	
[Galileo All]	Select [YES] to ignore all Galileo system satellites.
[Galileo] → [Galileo1]	You can ignore individual Galileo system satellites by specifying the satellite number. A maximum of three satellites can be ignored. Note: When [Galileo All] is set to [YES], the setting values for [Galileo1] to [Galileo3] are automatically changed to "0".
[Galileo] → [Galileo2]	
[Galileo] → [Galileo3]	
[SV ELEV]	
[SV ELEV]	Adjust the elevation mask angle. This equipment does not track satellites with an elevation angle lower than the angle set here. A higher elevation mask angle increases the positioning accuracy, but the number of the available satellites may be decreased and equipment may not be able to obtain an accurate position fix.
[SBAS]	
[SBAS Mode]	Enable/disable the use of the SBAS system.
[SBAS Search]	Select [Auto] to search automatically for SBAS satellites, or [Manual] to manually input the SBAS satellite number.
[SBAS Satellite Selection]	Manually input the SBAS satellite number(s) you want to use. Note: This item is only available when SBAS Search is set to Manual.
[Disable SBAS]	Select up to three SBAS satellites to ignore.
[Disable SBAS] → [SBAS1]	You can ignore SBAS satellites by specifying the satellite number. A maximum of three satellites can be ignored.
[Disable SBAS] → [SBAS2]	
[Disable SBAS] → [SBAS3]	

2.2 [Sensor] Menu

In order to display data correctly, enter the ship's dimensions, SCX-20 installation location and adjust the sensor offset values as required on the [Sensor] menu.

Menu item	Description
[Offset]	
[HDG]	Offset the heading angle. When the heading angle is skewed right, enter a negative value. When the heading angle is skewed left, enter a positive value.
[Pitch]	Offset the pitch angle.
[Roll]	Offset the roll angle.
[SOG/3-Axis Speed]	Offset the speed value.
[Air Pressure]	Offset the air pressure value.
[Air Temperature]	Offset the air temperature value.
[Smoothing]	
[SOG/COG]	Set the time delay (smoothing) for SOG/COG data output.
[3-Axis Speed]	Set the time delay (smoothing) for 3-Axis Speed data output.
[ROT]	Set the time delay (smoothing) for ROT data output.
[DR Time]	
[DR Time]	When the SCX-20 cannot receive the signal from the satellite, the SCX-20 continues to output heading data as "dead reckoning" for the time set here. If the signal from the satellite cannot be retrieved within the time set here, the SCX-20 stops outputting the heading data.
[Ship Size, ANT/CALC-SPD Position]	
<p>Enter the appropriate value according to the ship's size, to improve the accuracy of the 3-axis speed. The reference position for installation location and calculating position of the 3-axis speed is shown in the following figure:</p>	
[Ship's Width]	Set the ship's width, calculated from the port-side to starboard-side of the widest section of the vessel (Setting range: 1.0 to 999.9 m).
[Ship's Length]	Set the ship's length, calculated to the bow-tip to the stern, along the center of the vessel (Setting range: 1.0 to 999.9 m).
[Ship's Height]	Set the ship's height, calculated to the bottom of the keel to the top of the mast (Setting range: 1.0 to 199.9 m).

2. INITIAL SETTINGS

Menu item	Description
[ANT Position X0]	Set the port-starboard (Lateral) location of the SCX-20. Enter negative value for port-side, positive value for starboard-side. The center of the vessel is "0" (Setting range: -327.64 to +327.64 m).
[ANT Position Y0]	Set the bow-stern (Longitudinal) location of the SCX-20. Set the distance from the bow to the stern with the bow as 0 m (Setting range: 0.0 to 999.9 m).
[ANT Position Z0]	Set height of the SCX-20, from the bottom of the ship (Setting range: 0.0 to 199.9 m).
[CALC-SPD- POSN Y1 (BOW)]	Set the bow-stern location for calculating the 3-axis speed. Ship's speed can be measured at two locations in addition to the antenna position. Enter the backward distance from the reference position (Fwd Center of the bow) to the position where you want to measure the ship's speed. Normally, keep the default settings. Note: The value for [CALC-SPD-Y1] is set to [0 m] as default. [CALC-SPD-Y2] is automatically set to the ship's length (set previously, in the same menu). For most vessels, these two settings do not require adjustment. On large vessels, where speed and location is required at locations other than the bow, such as for docking, these two values should be adjusted as required. For all vessels, [CALC-SPD-Z] should be set to the vessel's draft value. For further information, contact your local FURUNO dealer.
[CALC-SPD- POSN Y2 (Stern)]	
[CALC-SPD- POSN Z (Height)]	Set the height for calculating the 3-axis speed. Enter the distance from the bottom of the ship to the position where you want to measure the ship's speed. For example, enter the draft value when you want to measure the speed at draft position.

2.3 [Input/Output] Menu

You can enable/disable PGN output from the SCX-20 and adjust transmission rate on the [Input/Output] menu.

The following table shows the PGNs that the SCX-20 outputs and transmission rate is adjustable. If you want to disable the PGN, set the transmission rate to "Off". The setting range changes according to the PGN. For the setting range of each PGN, see the menu tree at the back of this manual.

Note: Normally, keep the default setting. If there is a need to change the transmission rate, only change the rate for necessary PGNs. An excessive number of PGNs with a low transmission rate can cause problems with PGN output and transmission rates.

PGN	PGN name	PGN	PGN name
065280	Heave	129540	GNSS Sats in View
126992	System Time	130310	Environmental Parameters
126993	Heartbeat	130312	Temperature
127250	Vessel Heading	130314	Actual Pressure
127251	Rate of Turn	130316	Temperature, Extended Range
127252	Heave	130577	Direction Data
127257	Attitude	130578	Vessel Speed Components
127258	Magnetic Variation	130842	Six Degrees of Freedom Movement
129025	Position, Rapid Update	130843	Heel Angle and Roll Information

PGN	PGN name	PGN	PGN name
129026	COG and SOG, Rapid Update	130845	Multi Sats In View Extended
129029	GNSS Position Data	130846	Motion Sensor Status Extended
129539	GNSS DOPs		

2.4 [System] Menu

You can check the system information, perform diagnostic tests and restore the factory defaults from the [System] menu.

Menu item	Description
[System Information]	
[Main PCB]	Main board version.
[Starter Version]	Starter application software version.
[Booter 1 Version]	Booter 1 application software version.
[Booter 2 Version]	Booter 2 application software version.
[Application Version]	Main application software version.
[Serial No.]	Serial number for your SCX-20.
[GNSS 1]	GNSS cores (1 to 4) software version.
[GNSS 2]	
[GNSS 3]	
[GNSS 4]	
[CAN Unique Number]	CAN unique ID for the SCX-20.
[CAN Address]	CAN address assigned to the SCX-20.
[Powered Time]	Time since the SCX-20 was last turned on.
[Overall Powered Time]	Total operation time of the SCX-20.
[Simple Diagnostic Test]	
[ROM]	ROM test result (OK or NG (No Good)).
[RAM]	RAM test result (OK or NG (No Good)).
[Rate Gyro Status]	Rate gyro status (Good or Bad).
[Accelerometer Status]	Accelerometer status (Good or Bad).
[Magnetic Sensor Status]	Magnetic sensor status (Good or Bad).
[Press./Temp. Sensor Status]	Air pressure/temperature sensor status (Good or Bad).
[Installation Status]	Show the number of excessive vibrations detected at the installation location.

2. INITIAL SETTINGS

Menu item	Description	
[GNSS 1 Status]	GNSS 1 thru 4 status (Good or Bad).	
[GNSS 2 Status]		
[GNSS 3 Status]		
[GNSS 4 Status]		
[Antenna 1 Status]	Antenna 1 thru 4 status (Good or Bad).	
[Antenna 2 Status]		
[Antenna 3 Status]		
[Antenna 4 Status]		
[Advanced Diagnostic Test]		
[ROM]	Shows the test results for each item (OK or NG (No Good)). Note: This test automatically checks each item and data output stops during the test.	
[RAM]		
[Rate Gyro Test]		
[Accelerometer Test]		
[GNSS 1 RAM Test]		
[GNSS 1 ROM Test]		
[GNSS 2 RAM Test]		
[GNSS 2 ROM Test]		
[GNSS 3 RAM Test]		
[GNSS 3 ROM Test]		
[GNSS 4 RAM Test]		
[GNSS 4 ROM Test]		
[Reset Setting]		
[Menu Settings]	Select [YES] to restore all user set menu settings to their default. Reboot the SCX-20 to complete the procedure.	Note: Almanac data is also reset with this procedure, correct positioning will not be available until sufficient satellite data is re-obtained.
[Factory Reset]	Select [YES] to restore the SCX-20 to factory default. Reboot the SCX-20 to complete the procedure.	
[Restart]		
[System Restart]	Select [YES] to restart the SCX-20. Note: All data output from the SCX-20 stops when [YES] is selected. This procedure should only be done when safely moored.	

3. MAINTENANCE

3.1 Preventative Maintenance

The following preventative maintenance and checks are important for good performance.

Item to check	Points to check	Remedy
Connectors	Check that the connectors are firmly connected.	Reconnect loosened cables.
Cable run (cabling)	Visually check the cables for wear and tear or damage.	Consult your dealer for cable replacement.
Cover	Cleanliness of the cover	Dust can be removed with a soft cloth. Do not use chemical-based cleaners or solvents as they can remove paint/markings and cause the cover to deform.

3.2 Troubleshooting

This section covers possible problems which may arise while using the SCX-20 and how to address each problem.

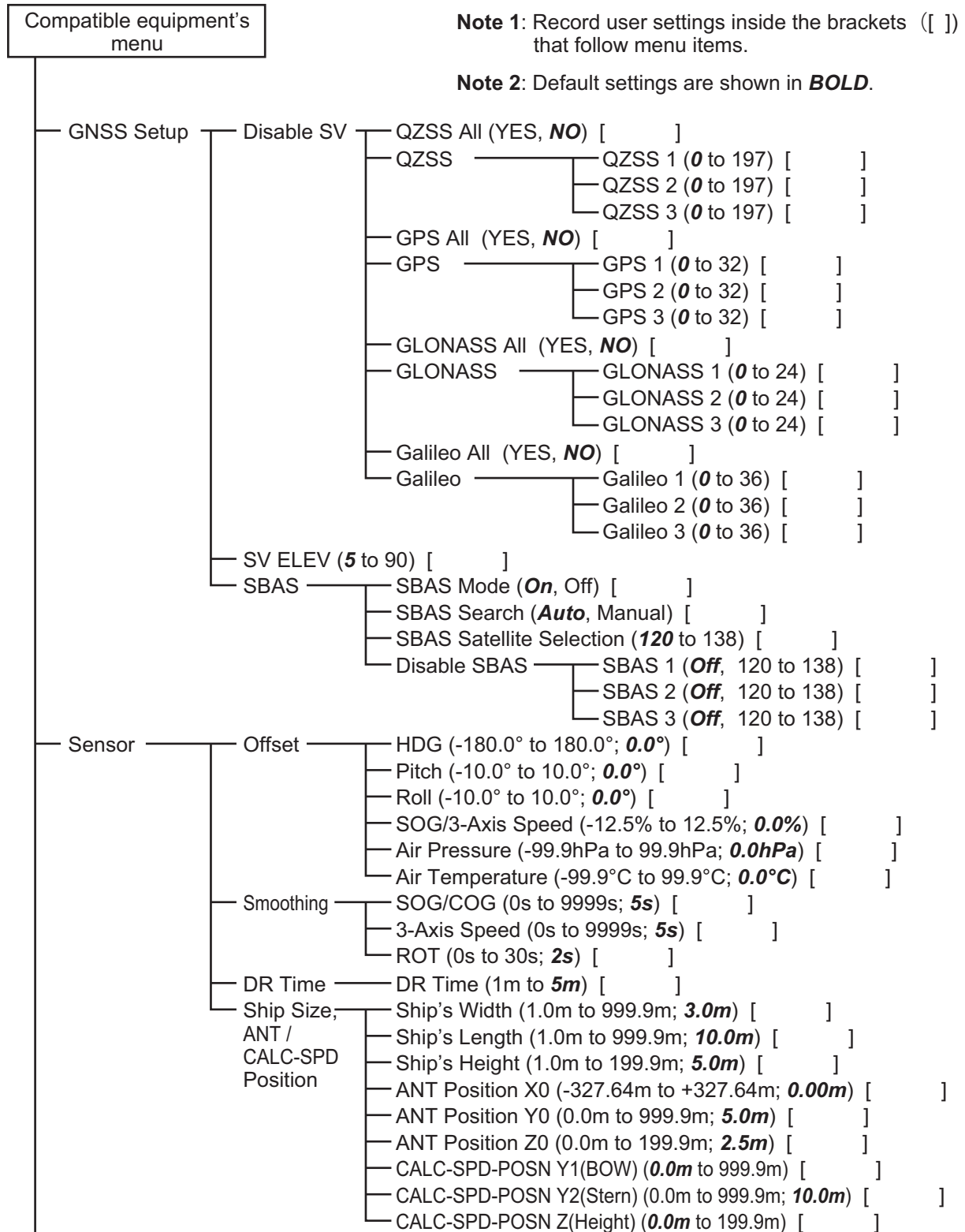
Problem	Possible cause	Remedy
Data is not received from the SCX-20.	Cable is disconnected, damaged, or faulty.	Check the SCX-20 cable connectors are firmly connected. Check that the cable is not damaged or severed. Also confirm that the CAN bus is powered and functioning normally. Contact your local dealer for service as required.
	Incorrect settings at the display.	Refer to the Multi-Function Display unit's manual and adjust the settings as required.
Data (heading, etc.) shown on the screen is not correct.	<ul style="list-style-type: none"> Offsets not applied at installation, or not applied correctly. 	<ul style="list-style-type: none"> Check that the antenna location is proper. Check the incorrect item against other equipment by sight. Adjust the offsets as required.
Position data is not received.	GLONASS is set for ANT 4.	GLONASS is NOT applied to ANT4. For GLONASS, select ANT1 to ANT3.

3. MAINTENANCE

This page is intentionally left blank.

APPENDIX 1 MENU TREE

This appendix covers the SCX-20 menu, accessible from compatible equipment. For the SC setting tool menu tree, see the operator's manual for the SC setting tool (OME-72851). Contact our dealer for details.



① **Continued from the previous page**

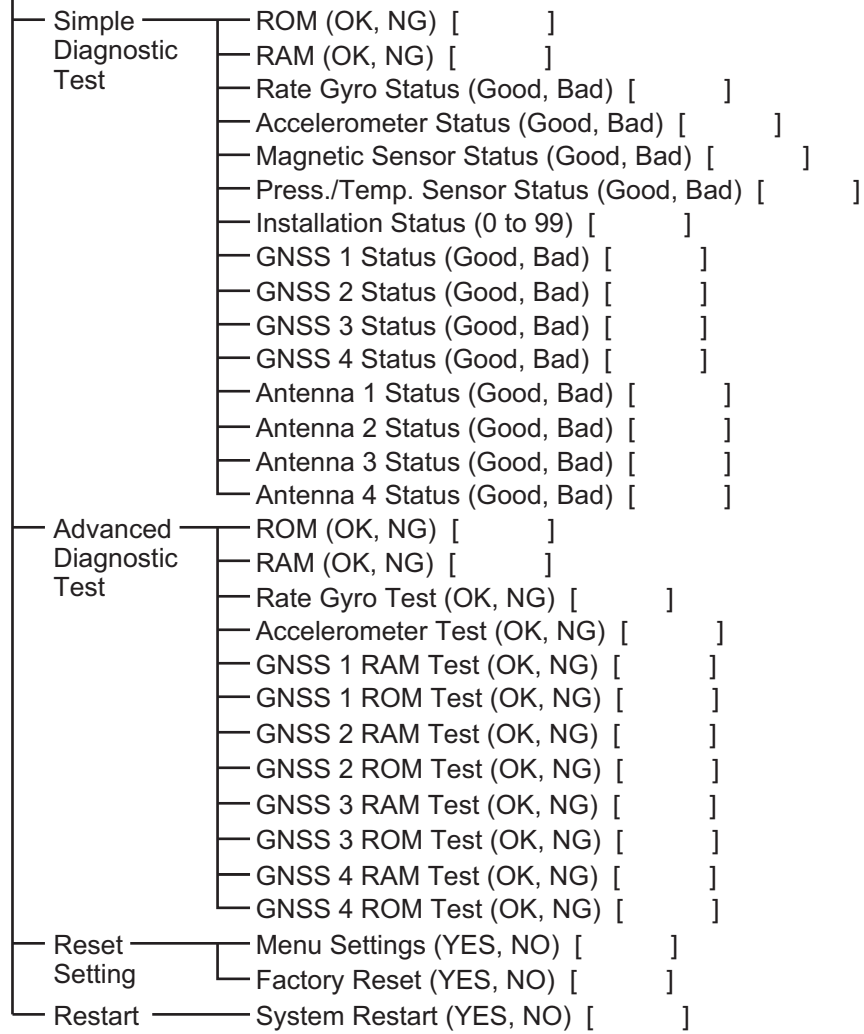
- Input/Output — PGN*
 - 065280 (Off, 20, 25, 50, **100**, 200, 1000, 2000) []
 - 126992 (Off, **1000**, 2000) []
 - 126993 (Off, **60000**) []
 - 127250 (Off, 20, 25, 50, **100**, 200, 1000, 2000) []
 - 127251 (Off, 20, 25, 50, **100**, 200, 1000, 2000) []
 - 127252 (Off, 20, 25, 50, **100**, 200, 1000, 2000) []
 - 127257 (Off, 20, 25, 50, **100**, 200, 1000, 2000) []
 - 127258 (Off, **1000**, 2000) []
 - 129025 (Off, **100**, 200, 1000, 2000) []
 - 129026 (Off, 200, **250**, 1000, 2000) []
 - 129029 (Off, **1000**, 2000) []
 - 129539 (Off, **1000**, 2000) []
 - 129540 (Off, **1000**, 2000) []
 - 130310 (Off, **500**, 1000, 2000) []
 - 130312 (Off, 500, **1000**) []
 - 130314 (Off, 1000, **2000**) []
 - 130316 (Off, 1000, **2000**) []
 - 130577 (Off, 20, 25, 50, 100, 200, **1000**, 2000) []
 - 130578 (Off, 200, **250**, 1000, 2000) []
 - 130842 (Off, 20, 25, 50, **100**, 200) []
 - 130843 (Off, 20, 25, 50, **100**, 200) []
 - 130845 (Off, **1000**) []
 - 130846 (Off, **1000**) []

*: PGN settings use milliseconds (ms) as their unit of measurement.

- System — System Information
 - Main PCB (Display only) []
 - Starter Version (Display only) []
 - Booter1 Version (Display only) []
 - Booter2 Version (Display only) []
 - Application Version (Display only) []
 - Serial No. (Display only) []
 - GNSS 1 (Display only) []
 - GNSS 2 (Display only) []
 - GNSS 3 (Display only) []
 - GNSS 4 (Display only) []
 - CAN Unique Number (Display only) []
 - CAN Address (Display only) []
 - Powered Time (Display only) []
 - Overall Powered Time (Display only) []

② **Continued on the following page**

2 Continued from the previous page



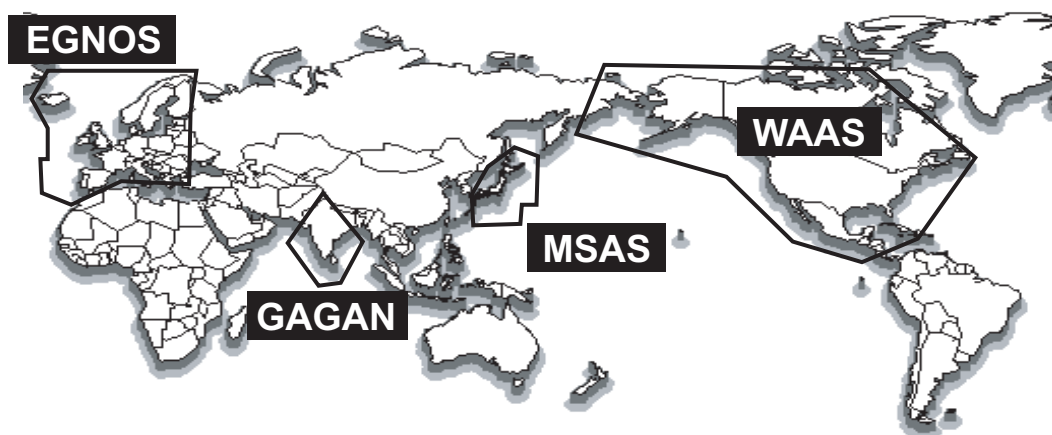
APPENDIX 2 GEODETIC CHART CODES

001: WGS84		091: NORTH AMERICAN 1927	: Bahamas (excl. San Salvador Is.)
002: WGS72		092: NORTH AMERICAN 1927	: Bahamas, San Salvador Is.
003: TOKYO	: Mean Value (Japan, Korea & Okinawa)	093: NORTH AMERICAN 1927 (Cont'd)	: Canada (incl. Newfoundland Is.)
004: NORTH AMERICAN 1927	: Mean Value (CONUS)	094: NORTH AMERICAN 1927 (Cont'd)	: Alberta & British Columbia
005: EUROPEAN 1950	: Mean Value	095: NORTH AMERICAN 1927 (Cont'd)	: East Canada
006: AUSTRALIAN GEODETIC 1984	: Australia & Tasmania	096: NORTH AMERICAN 1927 (Cont'd)	: Manitoba & Ontario
007: ADINDAN	: Mean Value (Ethiopia & Sudan)	097: NORTH AMERICAN 1927 (Cont'd)	: Northwest Territories & Saskatchewan
008: ADINDAN	: Ethiopia	098: NORTH AMERICAN 1927 (Cont'd)	: Yukon
009: ADINDAN	: Mali	099: NORTH AMERICAN 1927 (Cont'd)	: Canal Zone
010: ADINDAN	: Senegal	100: NORTH AMERICAN 1927 (Cont'd)	: Caribbean
011: ADINDAN	: Sudan	101: NORTH AMERICAN 1927 (Cont'd)	: Central America
012: AFG	: Somalia	102: NORTH AMERICAN 1927 (Cont'd)	: Cuba
013: AIN EL ABD 1970	: Bahrain Is.	103: NORTH AMERICAN 1927 (Cont'd)	: Greenland
014: ANNA 1 ASTRO 1965	: Cocos Is.	104: NORTH AMERICAN 1927 (Cont'd)	: Mexico
015: ARC 1950	: Mean Value	105: NORTH AMERICAN 1983	: Alaska
016: ARC 1950	: Botswana	106: NORTH AMERICAN 1983	: Canada
017: ARC 1950	: Lesotho	107: NORTH AMERICAN 1983	: CONUS
018: ARC 1950	: Malawi	108: NORTH AMERICAN 1983	: Mexico, Central America
019: ARC 1950	: Swaziland	109: OBSERVATORIO 1966	: Corvo & Flores Is. (Azores)
020: ARC 1950	: Zaire	110: OLD EGYPTIAN 1930	: Egypt
021: ARC 1950	: Zambia	111: OLD HAWAIIAN	: Mean Value
022: ARC 1950	: Zimbabwe	112: OLD HAWAIIAN	: Hawaii
023: ARC 1960	: Mean Value (Kenya & Tanzania)	113: OLD HAWAIIAN	: Kauai
024: ARC 1960	: Kenya	114: OLD HAWAIIAN	: Maui
025: ARC 1960	: Tanzania	115: OLD HAWAIIAN	: Oahu
026: ASCENSION IS. 1958	: Ascension Is.	116: OMAN	: Oman
027: ASTRO BEACON "E"	: Iwo Jima Is.	117: ORDANCE SURVEY OF GREAT BRITAIN 1936	: Mean Value
028: ASTRO B4 SOR. ATOLL	: Tern Is.	118: ORDANCE SURVEY OF GREAT BRITAIN 1936	: England
029: ASTRO POS 71/4	: St. Helena Is.	119: ORDANCE SURVEY OF GREAT BRITAIN 1936	: England, Isle of Man & Wales
030: ASTRONOMIC STATION 1952	: Marcus Is.	120: ORDANCE SURVEY OF GREAT BRITAIN 1936	: Scotland & Shetland Is.
031: AUSTRALIAN GEODETIC 1966	: Australia & Tasmania	121: ORDANCE SURVEY OF GREAT BRITAIN 1936	: Wales
032: BELLEVUE (IGN)	: Efate & Erromango Is.	122: PICO DE LAS NIVIES	: Canary Is.
033: BERMUDA 1957	: Bermuda Is.	123: PITCAIRN ASTRO 1967	: Pitcairn Is.
034: BOGOTA OBSERVATORY	: Columbia	124: PROVISIONAL SOUTH CHILEAN 1963	: South Chile (near 53°S)
035: CAMPO INCHAUSPE	: Argentina	125: PROVISIONAL SOUTH AMERICAN 1956	: Mean Value
036: CANTON IS. 1966	: Phoenix Is.	126: PROVISIONAL SOUTH AMERICAN 1956	: Bolivia
037: CAPE	: South Africa	127: PROVISIONAL SOUTH AMERICAN 1956	: Chile-Northern Chile (near 19°S)
038: CAPE CANAVERAL	: Mean Value (Florida & Bahama Is.)	128: PROVISIONAL SOUTH AMERICAN 1956	: Chile-Southern Chile (near 43°S)
039: CARTHAGE	: Tunisia	129: PROVISIONAL SOUTH AMERICAN 1956	: Columbia
040: CHATHAM 1971	: Chatham Is. (New Zealand)	130: PROVISIONAL SOUTH AMERICAN 1956	: Ecuador
041: CHUA ASTRO	: Paraguay	131: PROVISIONAL SOUTH AMERICAN 1956	: Guyana
042: CORREGO ALEGRE	: Brazil	132: PROVISIONAL SOUTH AMERICAN 1956	: Peru
043: DJAKARTA (BATAVIA)	: Sumatra Is. (Indonesia)	133: PROVISIONAL SOUTH AMERICAN 1956	: Venezuela
044: DOS 1968	: Gizo Is. (New Georgia Is.)	134: PUERTO RICO	: Puerto Rico & Virgin Is.
045: EASTER IS. 1967	: Easter Is.	135: QATAR NATIONAL	: Qatar
046: EUROPEAN 1950 (Cont'd)	: Western Europe	136: QORNOQ	: South Greenland
047: EUROPEAN 1950 (Cont'd)	: Cyprus	137: ROME 1940	: Sardinia Is.
048: EUROPEAN 1950 (Cont'd)	: Egypt	138: SANTA BRAZ	: Sao Miguel, Santa Maria Is. (Azores)
049: EUROPEAN 1950 (Cont'd)	: England, Scotland, Channel & Shetland Is.	139: SANTO (DOS)	: Espirito Santo Is.
050: EUROPEAN 1950 (Cont'd)	: England, Ireland, Scotland & Shetland Is.	140: SAPPER HILL 1943	: East Falkland Is.
051: EUROPEAN 1950 (Cont'd)	: Greece	141: SOUTH AMERICAN 1969	: Mean Value
052: EUROPEAN 1950 (Cont'd)	: Iran	142: SOUTH AMERICAN 1969	: Argentina
053: EUROPEAN 1950 (Cont'd)	: Italy, Sardinia	143: SOUTH AMERICAN 1969	: Bolivia
054: EUROPEAN 1950 (Cont'd)	: Italy, Sicily	144: SOUTH AMERICAN 1969	: Brazil
055: EUROPEAN 1950 (Cont'd)	: Norway & Finland	145: SOUTH AMERICAN 1969	: Chile
056: EUROPEAN 1950 (Cont'd)	: Portugal & Spain	146: SOUTH AMERICAN 1969	: Columbia
057: EUROPEAN 1979	: Mean Value	147: SOUTH AMERICAN 1969	: Ecuador
058: GANDAJIKA BASE	: Republic of Maldives	148: SOUTH AMERICAN 1969	: Guyana
059: GEODETIC DATUM 1949	: New Zealand	149: SOUTH AMERICAN 1969	: Paraguay
060: GUAM 1963	: Guam Is.	150: SOUTH AMERICAN 1969	: Peru
061: GUX 1 ASTRO	: Guadalcanal Is.	151: SOUTH AMERICAN 1969	: Trinidad & Tobago
062: HJORSEY 1955	: Iceland	152: SOUTH AMERICAN 1969	: Venezuela
063: HONG KONG 1963	: Hong Kong	153: SOUTH ASIA	: Singapore
064: INDIAN	: Thailand & Vietnam	154: SOUTHEAST BASE	: Porto Santo & Madeira Is.
065: INDIAN	: Bangladesh, India & Nepal	155: SOUTHWEST BASE	: Faial, Graciosa, Pico, Sao Jorge & Terceira Is.
066: IRELAND 1965	: Ireland	156: TIMBALAI 1948	: Brunei & East Malaysia (Sarawak & Sabah)
067: ISTS 073 ASTRO 1969	: Diego Garcia	157: TOKYO	: Japan
068: JOHNSTON IS. 1961	: Johnston Is.	158: TOKYO	: Korea
069: KANDAWALA	: Sri Lanka	159: TOKYO	: Okinawa
070: KERGUELEN IS.	: Kerguelen Is.	160: TRISTAN ASTRO 1968	: Tristan da Cunha
071: KERTAUI 1943	: West Malaysia & Singapore	161: VITI LEVU 1916	: Viti Levu Is. (Fiji Is.)
072: LA REUNION	: Mascarene Is.	162: WAKE-ENIWETOK 1960	: Marshall Is.
073: L. C. 5 ASTRO	: Cayman Brac Is.	163: ZANDERIJ	: Surinam
074: LIBERIA 1964	: Liberia	164: BUKIT RIMPAH	: Bangka & Belitung Is. (Indonesia)
075: LUZON	: Philippines (excl. Mindanao Is.)	165: CAMP AREA ASTRO	: Camp Mornudo Area, Antarctica
076: LUZON	: Mindanao Is.	166: G. SEGARA	: Kalimantan Is. (Indonesia)
077: MAHE 1971	: Mahe Is.	167: HERAT NORTH	: Afghanistan
078: MARCO ASTRO	: Salvage Islands	168: HU-TZU-SHAN	: Taiwan
079: MASSAWA	: Eritrea (Ethiopia)	169: TANANARIVE OBSERVATORY 1925	: Madagascar
080: MERCHICH	: Morocco	170: YACARE	: Uruguay
081: MIDWAY ASTRO 1961	: Midway Is.	171: RT-90	: Sweden
082: MINNA	: Nigeria	172: CK42 (PULKOVO 1942)	: Russia
083: NAHRWAN	: Masirah Is. (Oman)	173: FINNISH KKJ	: Finland
084: NAHRWAN	: United Arab Emirates	174: PZ90	: Russia
085: NAHRWAN	: Saudi Arabia	175: CK95	: Russia
086: NAMIBIA	: Namibia		
087: MAPARIMA, BWI	: Trinidad & Tobago		
088: NORTH AMERICAN 1927	: Western United States		
089: NORTH AMERICAN 1927	: Eastern United States		
090: NORTH AMERICAN 1927	: Alaska		

APPENDIX 3 WHAT IS SBAS?

A satellite-based augmentation system, or SBAS (Satellite Based Augmentation System), is an augmentation system that uses additional messages from satellite broadcasts to support regional and wide area augmentation. SBAS provides GPS signal corrections to SBAS users, for even better position accuracy, through the GPS error corrections that are widely broadcasted from the geostationary satellite.

SBAS is used in America, Europe, Japan and India. These four systems; WAAS, EGNOS, MSAS and GAGAN, have interoperability. The illustration below shows the coverage area for each provider. This manual uses "SBAS" for these four providers generically.



Provider	Satellite type	Longitude	Satellite No.
WAAS (Wide Area Augmentation System, America)	Intelsat Galaxy XV	133°W	135
	TeleSat Anik F1R	107.3°W	138
	Inmarsat-4-F3	98°W	133
EGNOS (Euro Geostationary Navigation Overlay Service, Europe)	Inmarsat-3-F2/AOR-E	15.5°W	120
	Artemis	21.5°E	124
	Inmarsat-4-F2	25°E	126
	SES-5	5°E	136
MSAS (Multi-Functional Satellite Augmentation System, Japan)	MTSAT-1R	140°E	129
	MTSAT-2	145°E	137
GAGAN (GPS And GEO Augmented Navigation, India)	GSAT-8	55°E	127
	GSAT-10	83°E	128

**SPECIFICATIONS OF SATELLITE COMPASS
SCX-20**

1 GENERAL

- 1.1 Receiving frequency 1575.42 MHz (GPS/Galileo/QZSS/SBAS),
1602.5625 MHz (GLONASS)
- 1.2 Tracking code C/A code (GPS/QZSS/SBAS), E1B (Galileo), L1OF (GLONASS)
- 1.3 Attitude resolution Heading/ Roll/ Pitch
1.0° rms (static), 0.5° rms (dynamic)
- 1.4 Tracking bearing 45°/s
- 1.5 Heave accuracy 5 cm (1σ)
- 1.6 Attitude setting time 60 s approx.
- 1.7 Positional accuracy (dependent on ionospheric activity and multipath)
GNSS 5 m approx. (2drms, HDOP<4)
MSAS 4 m approx. (2drms, HDOP<4)
WAAS 3 m approx. (2drms, HDOP<4)
- 1.8 Position fixing time 50 s approx.
- 1.9 Update interval Attitude: 50 Hz max, Position: 10 Hz max.
- 1.10 Ship's speed accuracy
SOG 0.02 kn rms (tracking satellites 5 or more)
0.2 kn rms (tracking satellites 3 or 4)
VBW (speed on ground) 0.02 kn rms (tracking satellites 5 or more, at antenna position)
0.08 kn rms (tracking satellites 5 or more, at another position)
2.0% of ship's speed or 0.2 kn whichever is the greater
(tracking satellites 3 or 4)
- 1.11 Atmosphere sensor
Pressure 850 to 1100 hPa (temperature range: 0 to +50°C),
accuracy: ±1.0 hPa (offset adjustment)
Temperature -20°C to +55°C (relative wind: 4 kn or more),
accuracy: ±2.0°C (offset adjustment)

2 INTERFACE

- 2.1 Number of ports NMEA2000: 1 port
- 2.2 NMEA2000 PGN
Input 059392/904, 060160/416/928, 061184, 065240, 126208/720, 130847
Output 059392/904, 060928, 061184, 065280, 126208/464/720/992/993,
126996/998, 127250/251/252/257/258, 129025/026/029/538/539/540,
130310/312/314/316/577*/578/816/817/818/819/822/823/833/834,
130842/843/845/846/847

*: Speed output rate at 200 ms (5 Hz) max. with 100 ms (10 Hz) set.

3 POWER SUPPLY

12-24 VDC (10.8-31.2V): 0.2-0.1 A (LEN: 4 at 9 V)

4 ENVIRONMENTAL CONDITIONS

- 4.1 Ambient temperature -25°C to +55°C (storage: -30°C to +70°C)
- 4.2 Relative humidity 95% or less at +40°C
- 4.3 Degree of protection IP56
- 4.4 Vibration IEC 60945 Ed.4

5 UNIT COLOR

N9.5




重要なお知らせ




- マニュアル記載内容の一部または全部の転載、複写は著作権者である当社の許諾が必要です。無断転載することを固くお断りします。
- 製品の仕様ならびにマニュアルの内容は予告なく変更することがあります。
- 画面に表示される内容は、システムの設定や動作状態によって異なります。したがって、マニュアル内に掲載してあるイラストは画面の表示と異なる場合があります。
- お客様がマニュアルの内容に従わずに本機または本ソフトウェアを取り扱われたり、または当社および当社指定の者以外の第三者により改造・変更されることに起因して生じる障害等については、当社は責任を負いかねますのでご了承ください。
- お買い上げの機器を廃棄するときは、産業廃棄物として地方自治体の条例または規則に従って処理してください。詳しくは、各地方自治体に問い合わせてください。
- マニュアルに記載されている社名、製品名は、一般に各開発メーカーの登録商標または商標です。

⚠ 安全にお使いいただくために









必ずお守りください

お使いになる人や他の人への危害、財産への損害を未然に防止するため、以下のことを必ずお守りください。表示内容を見逃して誤った使い方をしたときに生じる危害や、損害の程度を本書では次の表示で区分し、説明していますので十分に気をつけてください。






 危険	この表示は「取扱いを誤った場合、死亡または重傷を負う危険が切迫して生じることが想定される」内容です。
 警告	この表示は「取扱いを誤った場合、死亡または重傷を負う可能性が想定される」内容です。
 注意	この表示は「取扱いを誤った場合、中程度または軽傷の傷害、あるいは財産への損害を負う可能性が想定される」内容です。





 「注意喚起」の内容  「禁止」の内容  「強制」の内容

装備上の安全事項

 警告	 注意						
 機器を装備する前には必ず配電盤の電源を切ること。 電源を入れたまま工事を行うと、感電や火災の事故が起こる恐れがあります。	 次のコンパス安全距離を確保すること。 <table border="1"><thead><tr><th></th><th>標準コンパス</th><th>操舵コンパス</th></tr></thead><tbody><tr><td>SCX-20 (サテライトコンパス)</td><td>0.30m</td><td>0.30m</td></tr></tbody></table>		標準コンパス	操舵コンパス	SCX-20 (サテライトコンパス)	0.30m	0.30m
	標準コンパス	操舵コンパス					
SCX-20 (サテライトコンパス)	0.30m	0.30m					
 当社または当社の指定する代理店の技術者以外はカバーを外さないこと。 誤って触れると、感電の原因になります。	 アース(接地)は確実に取り付けてください。 接地が悪いと感電の恐れや他の機器から干渉を受ける恐れがあります。						
 電源ケーブルは必ず指定のもの(工事材料として支給しているもの)を使用すること。 指定外のものを使用すると、火災の原因になる恐れがあります。							
 分解・改造は絶対にしないこと。 火災、感電、ケガの原因になります。							

取扱い上の安全事項

 警告	
	当社または当社の指定する代理店の技術者以外はカバーを外さないこと。 誤って触れると、感電の原因になります。
	分解・改造は絶対にしないこと。 火災、感電、ケガの原因になります。
	発煙・発火のときは、配電盤の電源スイッチを切ること。 そのまま使用すると火災の恐れがあります。 必ずお買い上げ店へ連絡してください。
	ヒューズは規定のものを使用すること。 規定外のものを使った場合、重大な故障を引き起こす恐れがあります。

 注意	
	電源を入れた状態で、信号ケーブルコネクタの抜き差しを行わないでください。 本機が故障する恐れがあります。
	本機は航海に役立つ各種の情報を提供します。しかし、どのような場合でも単一の航法に頼るのは問題です。他の航海機器も併用し、人間によるワッチも怠らないようにしてください。
	本機に表示される情報は、直接航海の用に供するためのものではありません。詳細な情報および最新の情報については、海図を参照してください。

目次

はじめに	v
システム構成	vi
構成表	vii
1章 取付け	1-1
1.1 装備上の注意	1-1
1.2 平面装備	1-2
1.2.1 必要な工具	1-2
1.2.2 取付け	1-2
1.3 ポールマウント装備	1-4
1.3.1 装備上の注意	1-4
1.3.2 必要な工具	1-5
1.3.3 ポールマウントキットの組立て	1-5
1.3.4 取付け	1-7
1.4 ルーフマウント装備	1-8
1.4.1 装備上の注意	1-8
1.4.2 必要な工具	1-9
1.4.3 取付け	1-9
1.5 アンテナベース装備（オプション）	1-11
1.5.1 装備上の注意	1-11
1.5.2 必要な工具	1-11
1.5.3 取付け	1-12
1.6 鳥除け（オプション）	1-14
1.7 積雪カバー（オプション）	1-14
1.8 NMEA 2000 機器との接続	1-14
2章 装備後の設定	2-1
2.1 [GNSS Setup] メニュー	2-1
2.2 [Sensor] メニュー	2-3
2.3 [Input/Output] メニュー	2-5
2.4 [System] メニュー	2-5
3章 保守	3-1
3.1 保守点検	3-1
3.2 トラブルシューティング	3-1
追補 1 メニューツリー	AP-1
追補 2 測地系リスト	AP-4
追補 3 SBAS のサービス範囲	AP-5
仕様	SP-1
パッキングリスト	A-1
外寸図	D-1
相互結線図	S-1

はじめに

このたびは、当社製品をお買い求めいただき、誠にありがとうございます。当社は1948年の創業以来、数々の船用電子機器を製造販売しており、性能、品質、信頼性については全世界のユーザーの方々から高い評価を受けています。本機は、厳しい品質管理のもとで設計・製造されていますので、性能・耐久性ともに安心してご使用いただけます。この取扱説明書をよくお読みいただき、本来の性能を十分発揮させていただきますようお願い申し上げます。

特徴

本機は、当社独自のコア技術による動揺に強い安定性を備え、豊富な情報出力が可能な小型サテライトコンパス TM です。陸上、海上の両方に対して幅広い用途で使用することができます。

主な特徴は、次のとおりです。

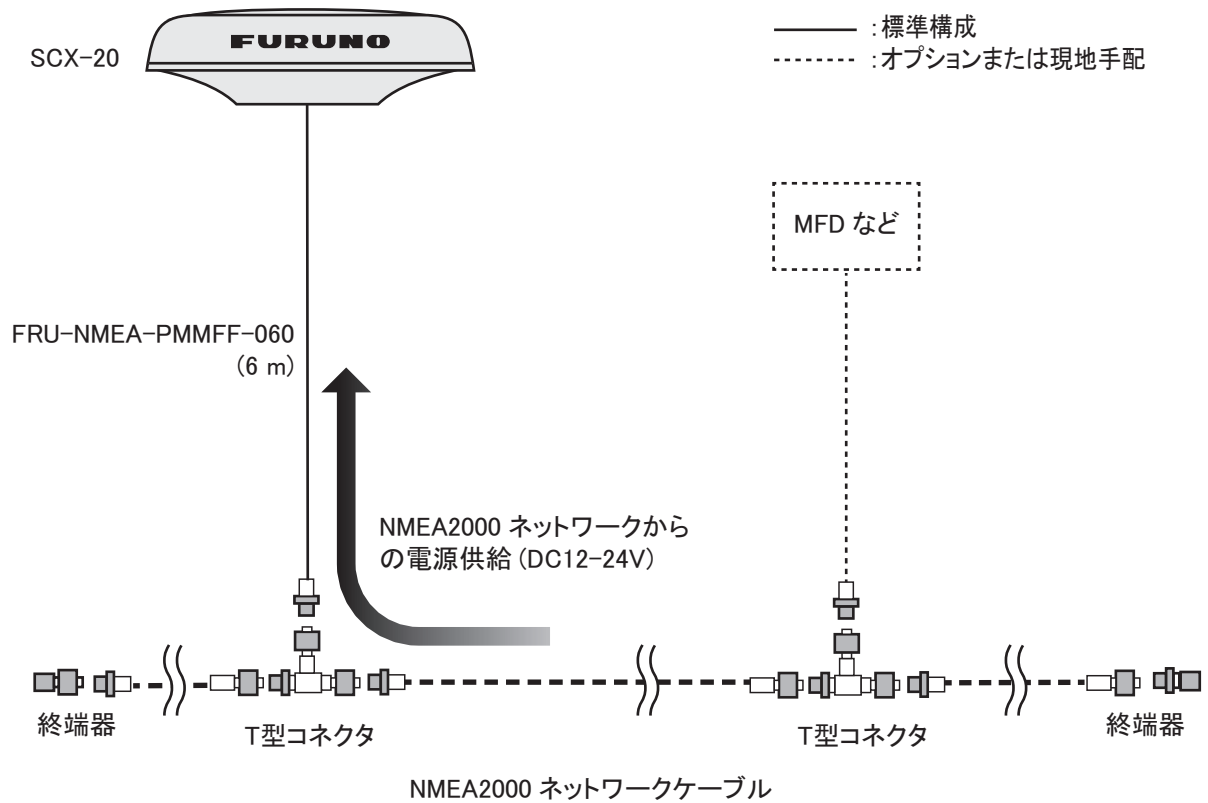
- ヘディング精度：0.5°（静止時は1.0°）
- レーダーの TT、エコトレイル、AIS、オートパイロット、スキャニングソナーの方位センサーとして最適
- 位置情報の精度が向上
- 船の動きを補正するデジタル形式のピッチ、ロールの出力が可能。
- ヒープ出力が可能なことより、動揺補正も実現。
- 姿勢角静定まで 60 秒
- NMEA 2000 対応機器。
- プレジャー機器にも適した魅力的な外観をもつ筐体

プログラム番号

ユニット	名称	プログラム番号
空中線部	STARTER	2051599 01.xx
	BOOTER	2051600 01.xx
	APL	2051601 01.xx
	GNSS (1 to 4)	48505230 xx

xx：軽微な変更の進捗

システム構成



構成表

標準構成

名称	型式	コード番号	数量	備考
サテライトコンパス	SCX-20	-	1	NMEA 2000 用
工材	CP20-04600	000-036-768	1 (選択)	ルーフマウントキット用、ケーブル FRU-NMEA-PMMFF (6 m) 含む
	CP20-04610	000-036-769		ポールマウントキット用、ケーブル FRU-NMEA-PMMFF (6 m) 含む
	CP20-04620	000-036-770		ポールマウントキット用 (マスト取付金具 CP20-04605* 付)、マスト適合径 $\phi 25 \sim 35\text{mm}$ 、ケーブル FRU-NMEA-PMMFF (6 m) 含む *: 取付補助金具、パイプ、ホースクランプ $\phi 25 \sim 35\text{mm}$ 含む

オプション構成

名称	型式	コード番号	数量
ケーブル組品	FRU-NMEA-PMMFF-010	001-533-060	1m ケーブル、NMEA 2000 ネットワーク用
	FRU-NMEA-PMMFF-020	001-533-070	2m ケーブル、NMEA 2000 ネットワーク用
	FRU-NMEA-PMMFF-060	001-533-080	6m ケーブル、NMEA 2000 ネットワーク用
直型アンテナベース	NO.13-QA330	001-111-910-10	
コネクタ (NMEA)	FRU-MM1MF1MF1001	001-507-050	
コネクタ (NMEA)	FRU-MM1000000001	001-507-070	
	FRU-MF000000001	001-507-060	
ルーフマウントキット *	CP20-04602	001-556-170	
ポールマウントキット *	CP20-04603	001-556-200	
マスト取付金具 *	CP20-04605	001-556-240	ポールマウントキット (CP20-04603) 用
ホースクランプ (大)	OP20-52	001-556-260	マスト適合径 $\phi 35 \sim 50\text{mm}$
鳥除け	OP20-54	001-556-280	2 本
積雪カバーキット	OP20-53	001-556-320	

* : 装備場所やシステム構成に応じた適切なキットを選択して下さい。

このページは空白です。

1 章 取付け

ご注意

塗料、防錆剤、接点復活剤などは有機溶剤を含んでいるので、機器の塗装部分や樹脂部品には使用しないでください。

機器の塗装部分や樹脂部品を劣化させることがあります。特に、樹脂のコネクタに使用すると破損する恐れがありますので絶対に使用しないでください。

本機は次のような装備方法で取り付けることができます。詳細は巻末の外寸図を参照してください。

- 平面装備（底面からの固定）→1.2 節
- ポールマウント →1.3 節
- ルーフマウント（上面からの固定）→1.4 節
- アンテナベース装備 →1.5 節、オプション

空中線ケーブルは NMEA 2000 用のケーブル（FRU-NMEA-PMMFF-060）を使用します。

1.1 装備上の注意

取付け場所の選定には、以下の点に注意してください。

- 空中線ケーブル長を考慮して、装備位置を選定してください。
- 本機の重量に耐えうる強度のある取付位置を選定してください（巻末の外寸図参照）。
- 保守点検のため、空中線部の周囲には十分なサービス空間を設けること。サービス空間寸法については、巻末の外寸図を参照してください。
- インマルサット F/FB の送信アンテナからは、少なくとも 3m 離して、送信ビーム内に入る場所には設置しないでください。
- 本機の空中線ケーブルと無線機のケーブルをまとめて配線しないようにしてください。このようにケーブル装備しても、ノイズ低減が不十分な場合は、無線機でスケルチを調整してください。
- 周囲に大きな電波の遮蔽物がある場所には、設置しないでください。
- 空中線内部には GPS センサーを内蔵しているため、局所的な振動や衝撃（船のエンジンによる共振や、マストによる共振など）を受けにくい場所に取り付けてください。
- コンパス安全距離を確保して、磁気コンパスに誤差が発生しないようにしてください。

空中線部の設置場所

空中線部を設置する際には、巻末の装備要領図面 (Dwg. No. C7286-Y01-*) を参照して、適切な場所を決定してください。

1.2 平面装備

空中線部単体を平面に取り付けることができます。このとき、取付位置の下側からネジで固定します。

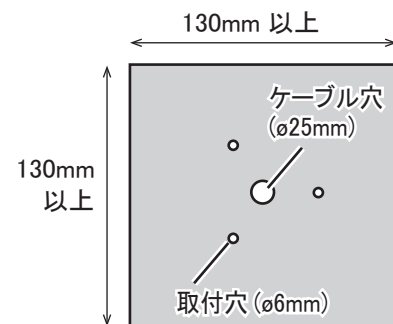
1.2.1 必要な工具

本機を取り付ける前に、次の工具を事前に準備する必要があります。

名称	備考
電動ドリル	取付穴用
ドリルビット	φ6
穴のこぎり	ケーブル穴用 (φ25mm)
やすり	ケーブル穴の切り口の処理用
プラスドライバ	#2
自己融着テープ	コネクタ結合部の防水用
ビニールテープ	コネクタ結合部の防水用

1.2.2 取付け

1. 現地で取付台 (130mm×130mm 以上) を用意します。
錆びが発生する取付台の場合は、防錆剤を塗布してください。
注) 取付け面は平らで、がたつきがない場所を選択してください。
2. 取付穴 3カ所と、空中線ケーブル用のケーブル穴 (φ25±2mm) を 1カ所あけま
す (巻末の外寸図参照)。

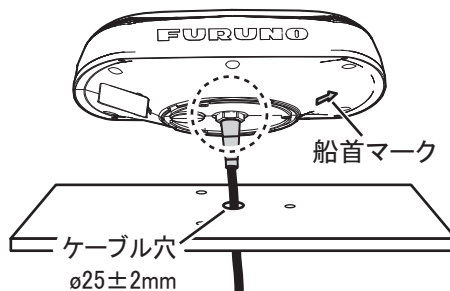


注) 空中線部の船首マークが船首方向を向くように、取付台に載せます。

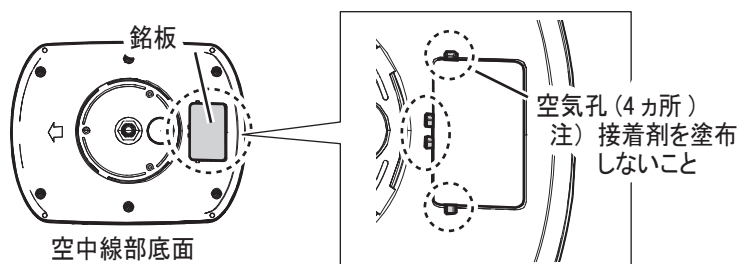


3. 手順 2 のケーブル穴に空中線ケーブルのコネクタ部が上になるように取付台の下から通します。

4. 空中線ケーブルのコネクタと空中線部を接続します。

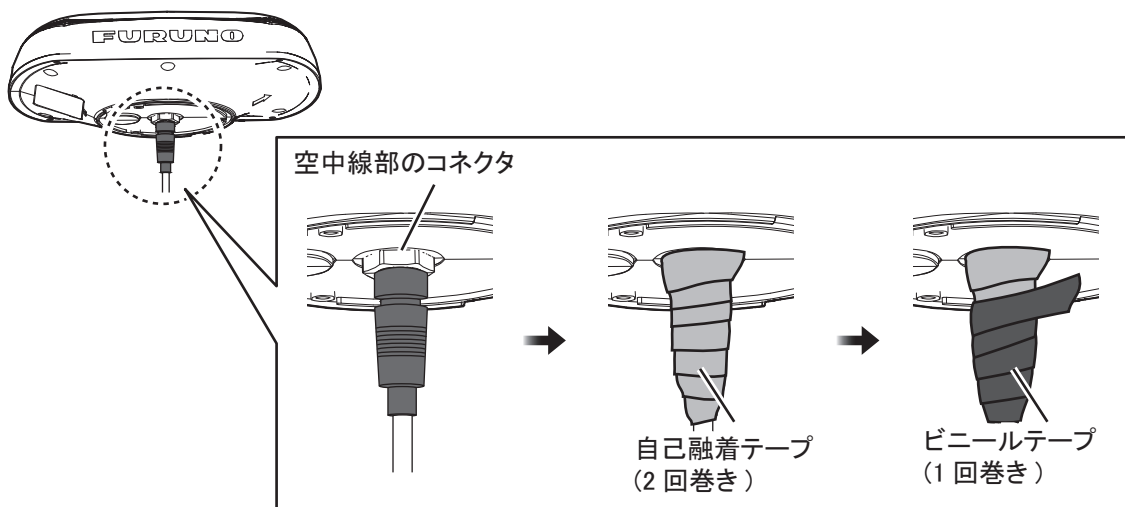


- 注) 空中線部底面の銘板近くにある空気孔 (4カ所) には接着剤を塗布しないでください。

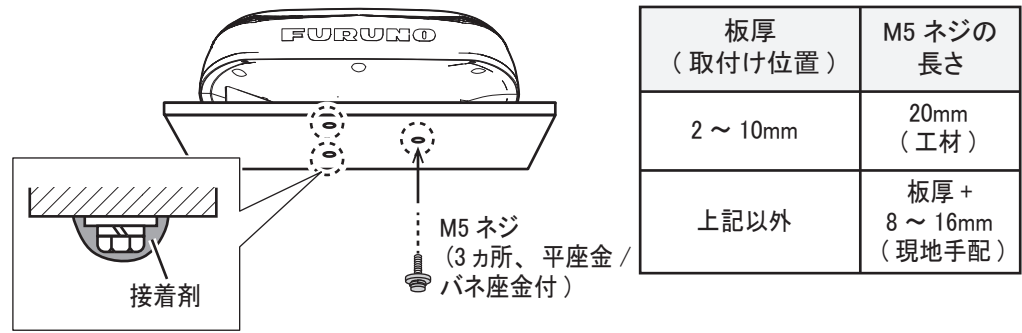


5. コネクタ接続部に自己融着テープを2回巻き、その上からビニールテープを1回巻きます。

- 注) このとき、空中線部とケーブルのコネクタ両方にテープがかかるように巻いてください。

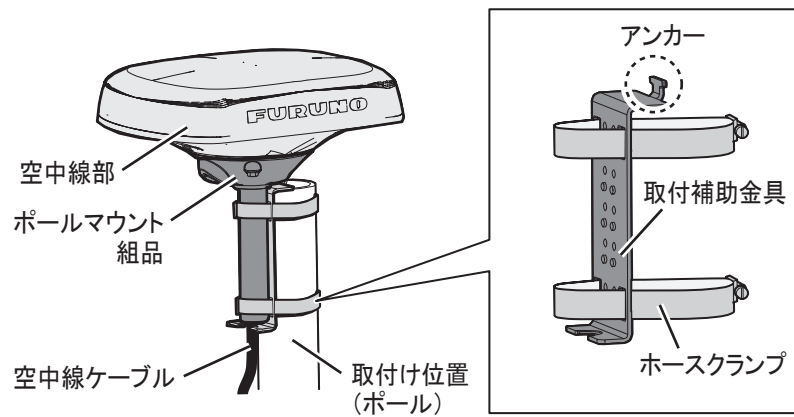


6. 空中線部の船首マークが船首方向に向くように調整します。
注) 取付台に設置した空中線部が傾いていないことを確認してください。
7. 空中線部の底面から4本のネジ (M5×20、平座金、バネ座金付) で手順2の取付穴から空中線部を取付位置に固定します。ネジで固定後、ネジの頭に工材の接着剤を塗布します。
注) ネジの長さは取付け位置の板厚によって異なります。



1.3 ポールマウント装備

あらかじめポールマウントキットと空中線部を組み立ててから、取付け位置に固定します。



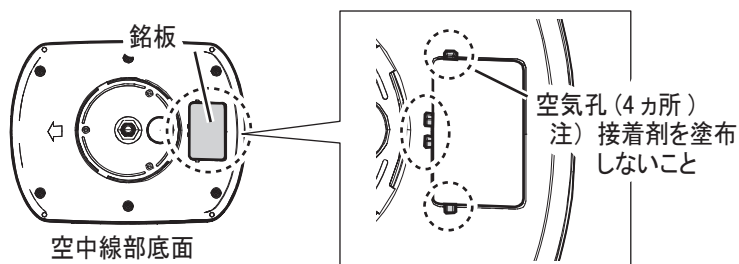
装備イメージ図

1.3.1 装備上の注意

- 取付け位置のポールの直径は 25 ~ 50mm 以内の必要があります。
- ポールマウントキットを取り付けた空中線部は船首マークが船首方向を向くように取り付けます。
- ホースクランプは取付け位置のポールの直径に応じて、正しいサイズのものを使用してください。

名称	適用マスト径	備考
ホース クランプ	20A ~ 25A (φ25 ~ 35mm)	工材 CP20-04603 で標準支給
	32A ~ 40A (φ35 ~ 50mm)	オプション OP20-52 で支給

- 空中線部底面の銘板近くにある空気孔（4カ所）には接着剤を塗布しないでください。



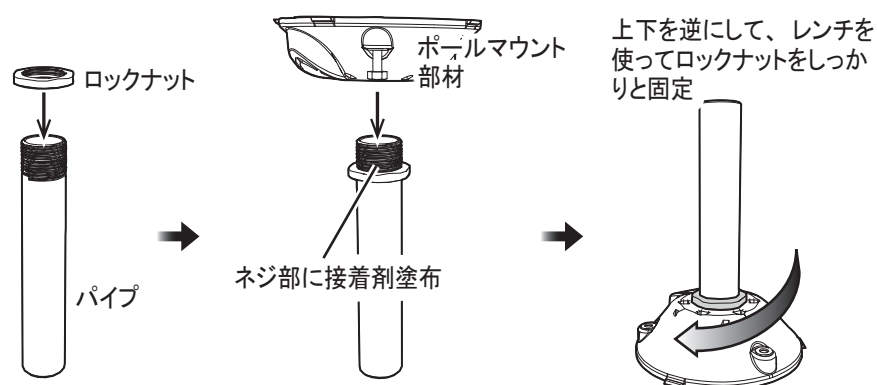
1.3.2 必要な工具

本機を取り付ける前に、次の工具を事前に準備する必要があります。

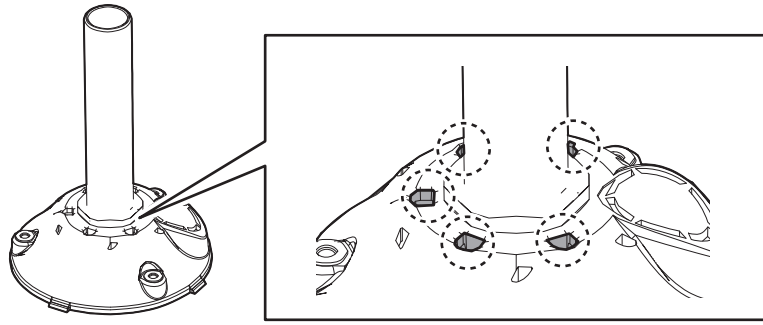
名称	備考
プラスドライバ	#2
マイナスドライバ	ホースクランプ取付用
レンチ	<ul style="list-style-type: none"> • ロックナット締付用（対辺 32mm） • ポールマウント部材固定用（対辺 8mm）
束線バンド	2本（最低）、空中線ケーブルのポール固定用
パテ	パイプのケーブル口保護用

1.3.3 ポールマウントキットの組立て

1. ロックナット（工材）をパイプ（工材）のネジ部の一番下まで取り付けます。
2. パイプのネジ部に接着剤を塗布し、ポールマウント部材を取り付けます。
3. 取り付け組品を上下逆にして、レンチ（現地手配）を使ってロックナットをしっかりと固定します（締付トルク：15N・m）。

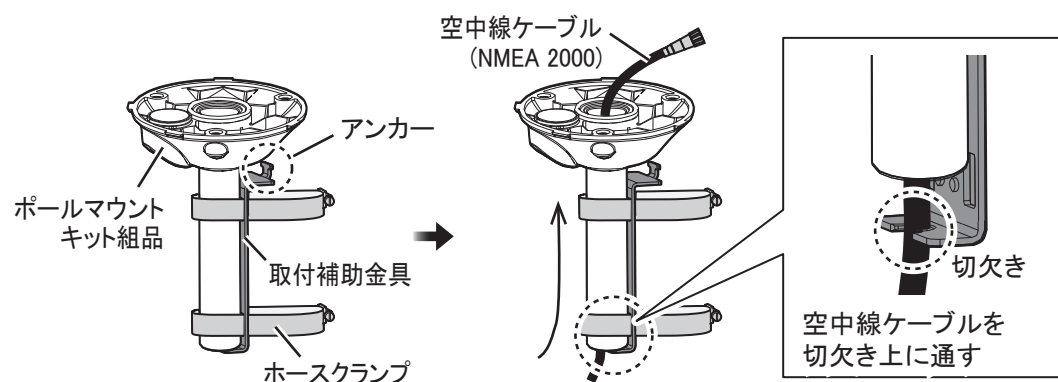


4. 余分な接着剤を拭き取ります。
注）このとき、下図5か所の水抜き穴を塞がないように注意してください。

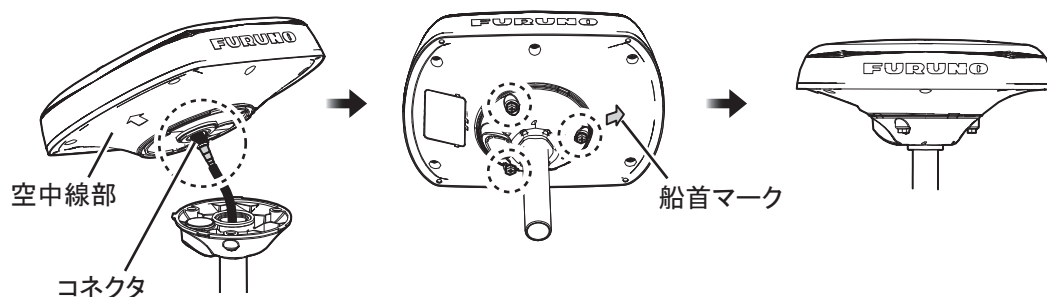


1.3.4 取付け

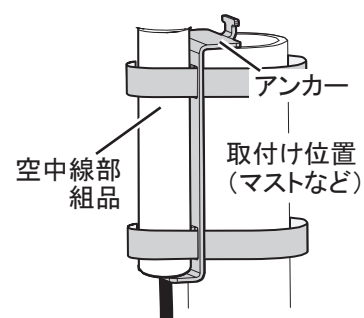
1. ポールマウントキット組品にマスト取付金具のホースクランプを通し、組品のパイプの下から空中線ケーブルを通します。
注) アンカーが上向きになるように取付補助金具を配置します。



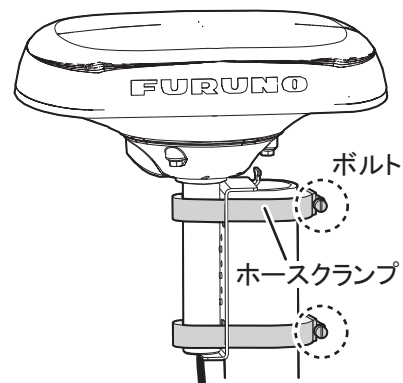
2. 空中線ケーブルのコネクタと空中線部を接続します。その後、空中線部の底面からポールマウントキットと空中線部を3本のネジ (M5、工材) で固定します。



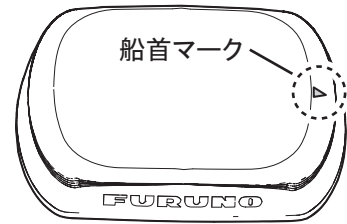
3. 空中線部組品にある取付補助金具のアンカーを、取付位置のポールの上部に載せます。



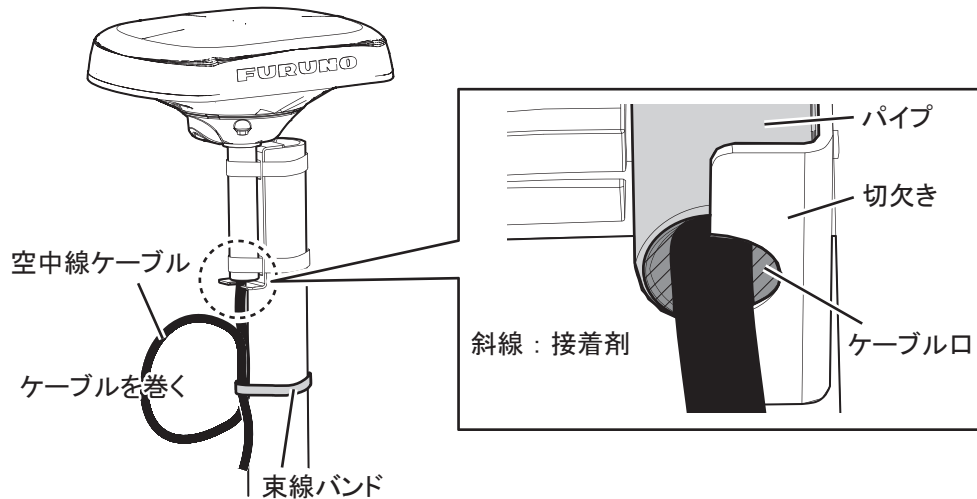
4. ホースクランプのボルトを緩く締めます。



5. 空中線部の船首マークが船首方向を向くように配置を調整します。



6. ホースクランプのボルトをしっかりと締め、空中線部組品を固定します。
 7. 空中線ケーブルの余りの長さでループを作って、束線バンド（現地手配）で取付位置のポールに固定します。



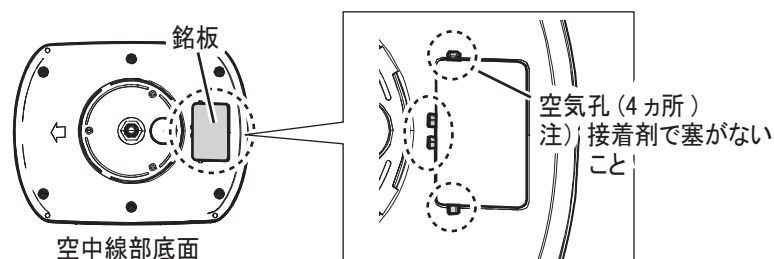
8. ケーブルを固定するために、パイプのケーブル口をパテ（現地手配）で保護します。

1.4 ルーフマウント装備

オプションのルーフマウントキット（OP20-04602）を使うことで、空中線部を取付台の上面から取り付けることができるため、ルーフトップへの装備が容易になります。

1.4.1 装備上の注意

- 曲面には装備しないでください。
- 取付け面とルーフマウントキットの境界、およびルーフマウントキットと空中線部の境界に接着剤を塗布しないでください（1-11 ページの手順9 参照）。
- 空中線部底面にある銘板付近の空気孔（4カ所）を接着剤で塞がないでください。



1.4.2 必要な工具

本機を取り付ける前に、次の工具を事前に準備する必要があります。

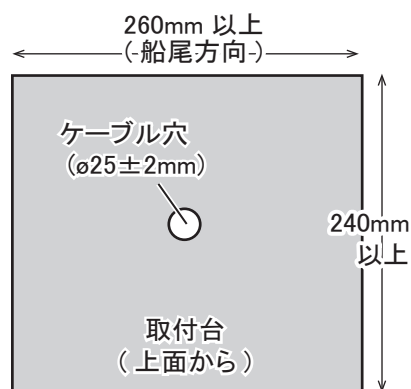
名称	備考
穴のこぎり	ケーブル穴用 (φ25mm)
やすり	ケーブル穴の切り口の処理用
プラスドライバ	#2

1.4.3 取付け

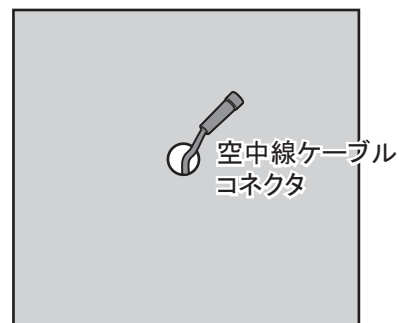
1. 現地で取付台 (260mm 船尾方向 × 240mm 以上) を用意します。
錆びが発生する取付台の場合は、防錆剤を塗布してください。
注) 取付け面は平らで、がたつきがない場所を選択してください。

2. 取付台の中央に空中線ケーブル用のケーブル穴 (φ25±2mm) を1カ所あけます
(巻末の外寸図参照)。

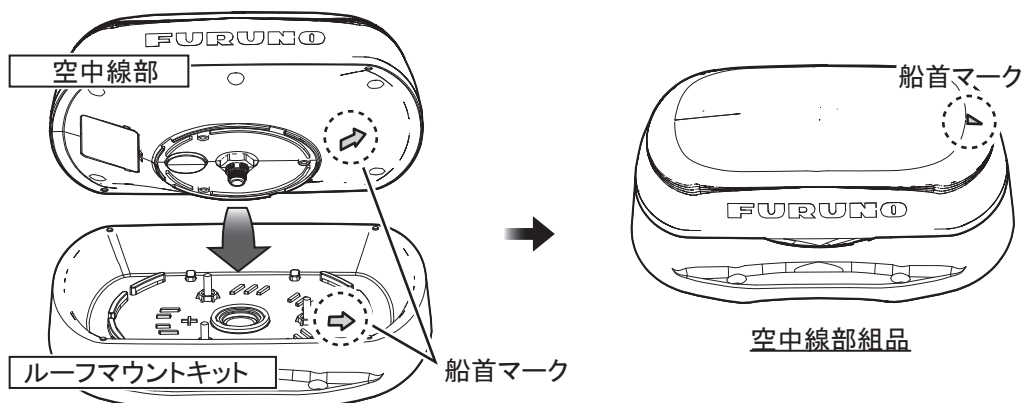
注) ケーブル穴は右図を参照に適切な寸法であけてください。穴が大きすぎると浸水の恐れがあり、穴が小さすぎると、ケーブルを配線しにくくなります。



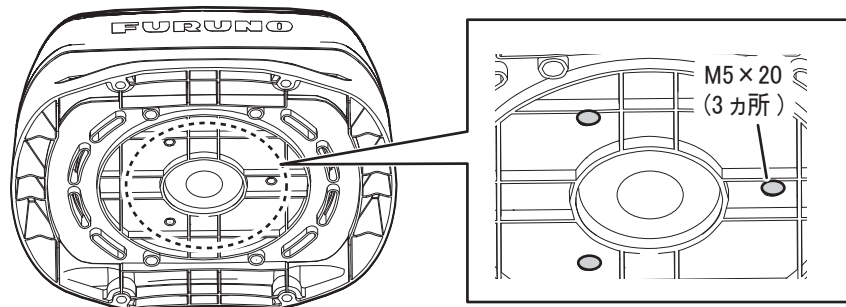
3. 手順2のケーブル穴に空中線ケーブルのコネクタ部が上になるように取付台の下から通します。



4. 空中線部とルーフマウントキットの船首マークが一致するように、ルーフマウントキットに空中線部を載せます。



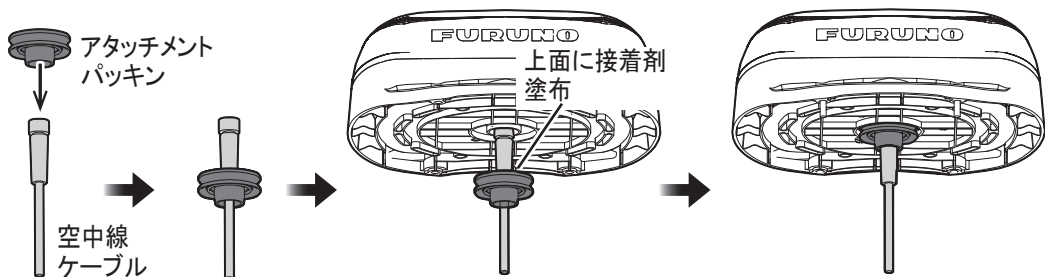
5. 空中線部組品の上下を逆にして、ルーフマウントキットの底面から3本のネジ（M5×20、工材）で空中線部と固定します。



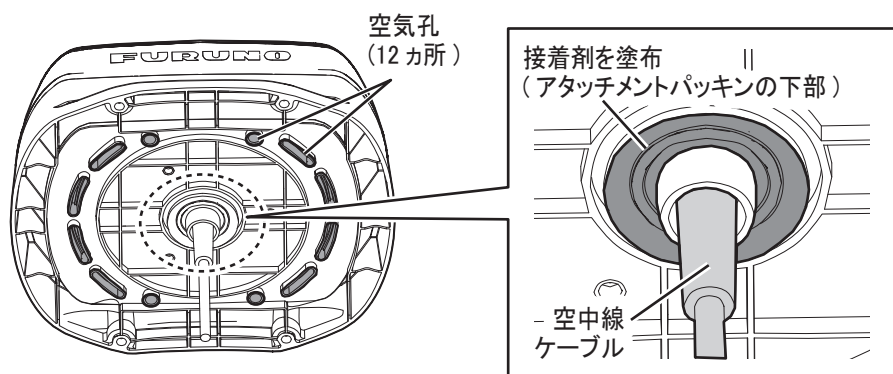
6. アタッチメントパッキンを空中線ケーブルのコンネクタに下まで押し込んで取り付けます。その後、アタッチメントパッキンの上面に接着剤（工材）を塗布し、空中線部ケーブルを空中線部に接続します。

注1) アタッチメントパッキンを取り付けるとき、アタッチメントパッキンの上下の向きに注意してください（次図参照）。

注2) 空中線ケーブルを空中線部と接続するときに、アタッチメントパッキンの上面に必ず接着剤（工材、TB5211）を塗布してください。



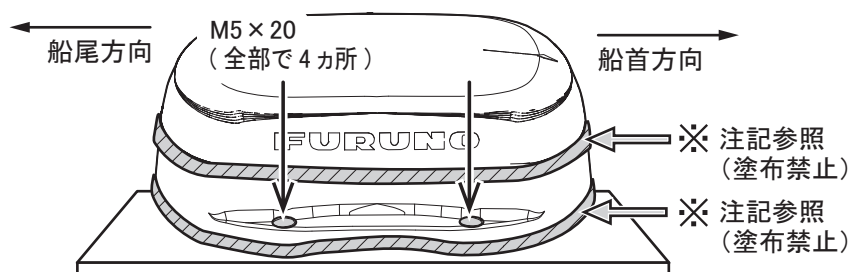
7. ケーブル接続後、アタッチメントパッキンの下部に接着剤を塗布します。
注) ルーフマウントキット底面にある空気孔（12か所）を接着剤で塞がないようにしてください。



8. 空中線部上部にある船首マークが船首方向を向くように調整します（手順4参照）。

9. 工材のネジ4本（M5×20）のネジ部に接着剤を塗布し、ルーフマウントキットを上から固定します（次図参照）。固定後は、ネジの頭にも接着剤を塗布します。

注) 取付け面とルーフマウントキットの境界、およびルーフマウントキットと空中線部の境界に接着剤を塗布しないでください（下図の斜線部は塗布禁止範囲）。



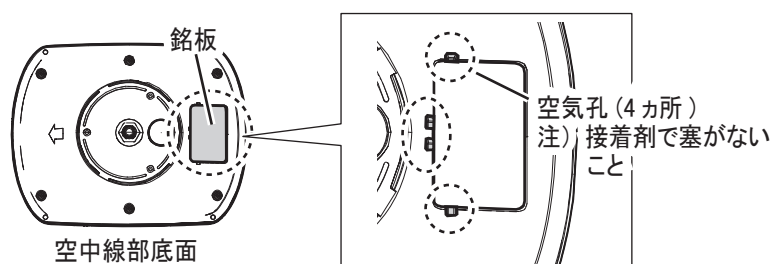
1.5 アンテナベース装備（オプション）

ポールマウントキットと直型アンテナベース（NO.13-QA330）（オプション）を使うことで、次のような場所への装備が可能です。

- 斜面（傾き 35° まで）
- 装備面が狭い場所

1.5.1 装備上の注意

- がたつきのある面には装備しないでください。
- 空中線部底面の銘板近くにある空気孔（4カ所）には接着剤を塗布しないでください。



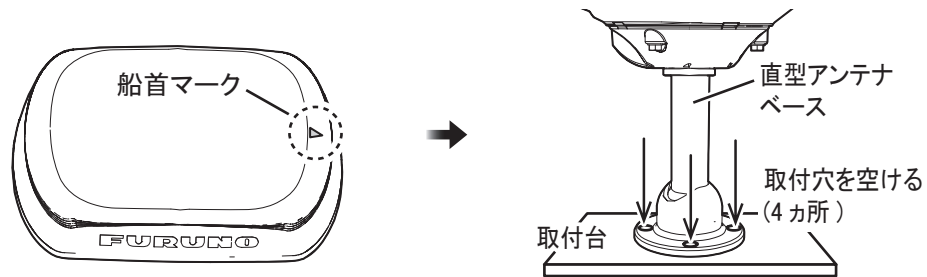
1.5.2 必要な工具

本機を取り付ける前に、次の工具を事前に準備する必要があります。

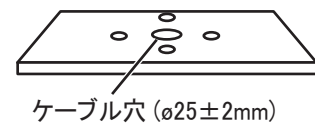
名称	備考
電動ドリル	取付穴用
ドリルビット	φ4.2～5
穴のこぎり	ケーブル穴用（φ25mm）
やすり	ケーブル穴の切り口の処理用
プラスドライバ	#2

1.5.3 取付け

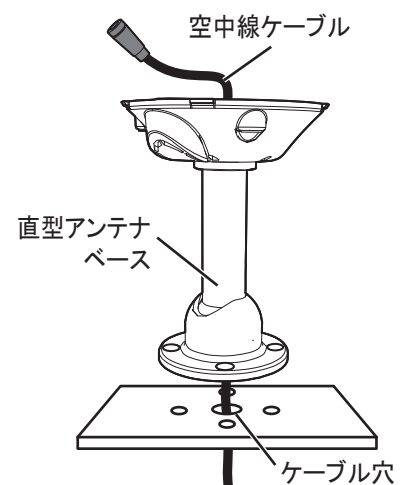
- 1.3.3節を参考にして、アンテナベースにポールマウントキットを組み立てます。
注) ポールマウントキットに含まれるパイプは使用しません。
- 空中線部の船首マークが船首方向を向くように直型アンテナベースを取付台に配置します。斜面に取り付ける場合は、傾ける方向に注意して配置します。その後、取付け位置に4つの取付穴(φ4.2～5mm)をあけます。
注) アンテナベースは配置した向きによって傾けることができる方向が決まります。



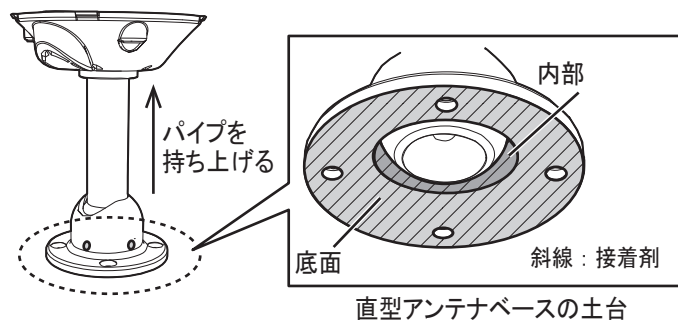
- 取付穴の中心に空中線ケーブル用のケーブル穴(φ25±2mm)をあけます。



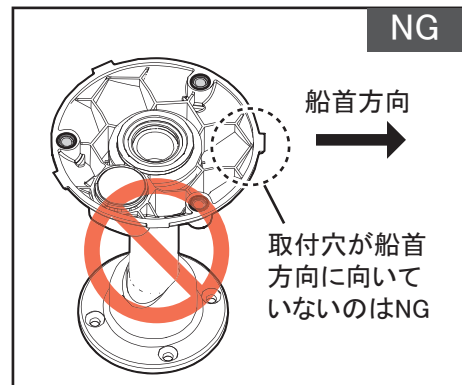
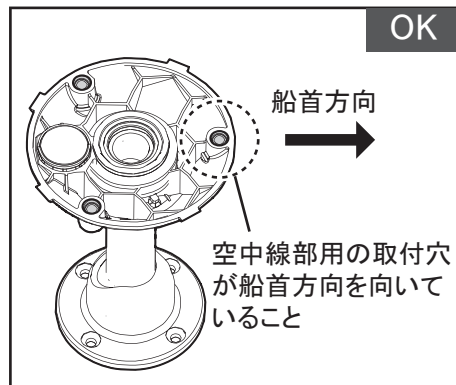
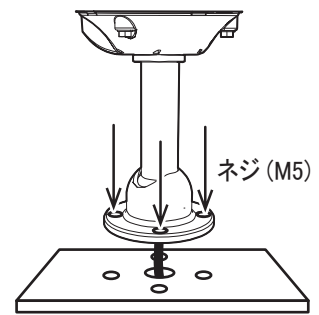
- 取付け位置のケーブル穴の下から空中線ケーブルを出して、直型アンテナベースのパイプを上方向に通します。



- パイプを上方向に引っ張り、直型アンテナベースの底面とその内側(下図の斜線部)に接着剤を塗布します。

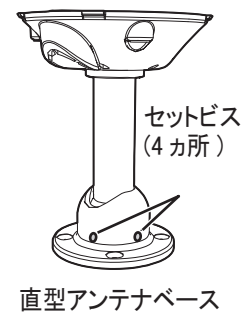


6. 取付台にあけた取付穴と直型アンテナベースのネジ穴が一致するように配置します。このとき、船首方向を考慮し、直型アンテナベースの向きを調整します。その後、4本のネジ（M5、工材）を使ってしっかりと締めつけます。

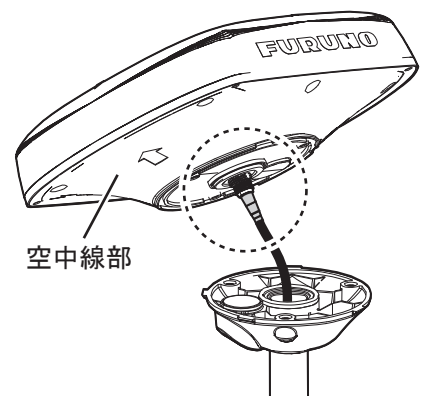


7. 直型アンテナベースのセットビスを1つずつ外して、工材のセットビス（接着剤塗布済み）と交換して取り付けます。締め付け後、余分な接着剤はしっかりと拭き取ります。

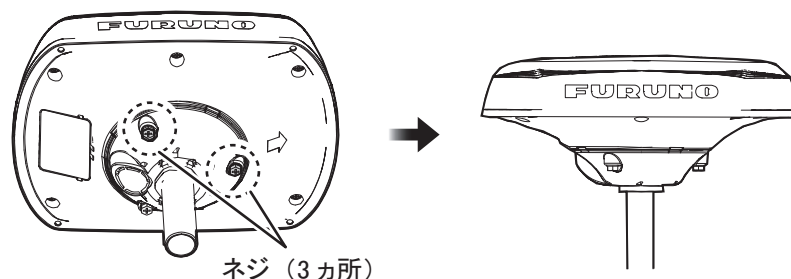
注) 接着剤が固まるには、およそ30分かかります。



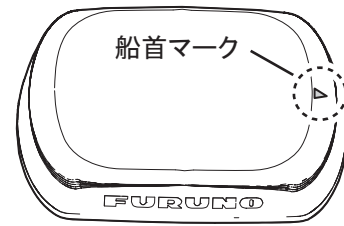
8. 空中線ケーブルのコネクタと空中線部を接続します。



9. 空中線部の底面からネジ3本（工材、M5）を使って、空中線部を固定します。



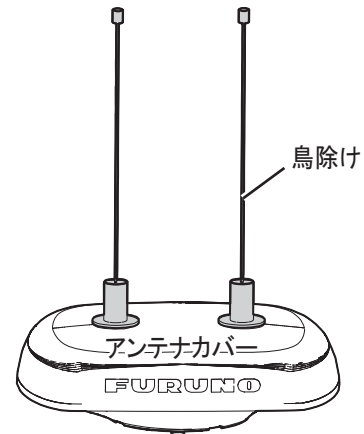
10. 直型アンテナベースの六角ボルトを六角レンチ（工材）で緩めて、船首マークが船首方向を向くように空中線部の向きを調整します。調整後、六角ボルトをしっかりと締めつけます。



1.6 鳥除け（オプション）

オプションの鳥除け（OP20-54）を空中線部の上部に取り付けることで、鳥が空中線部に止まることを軽減することができます。

2本の鳥除けにある両面テープを外して、空中線部上部に取り付けます。取付後、空中線部との接触面を覆うように接着剤を塗布します。



1.7 積雪カバー（オプション）

オプションの積雪カバーキット（OP20-53）を使用することで、空中線部での積雪を軽減することができます。

取付け方については、キットに同梱されている要領書（C72-01901）を参照してください。

1.8 NMEA 2000 機器との接続

支給のケーブル組品を使って、本機のコネクタと NMEA 2000 ネットワークのバックボーン間を接続してください。（詳細は vi ページの「システム構成」参照）。

本機には NMEA 2000 に準拠する機器を接続します。以下の事項を考慮してください。

- 本機の LEN（Load Equivqlency Number）は”4”です（LEN は、NMEA 2000 から供給される電源において機器が消費する電流の単位で、NMEA 2000 ネットワークも設計に重要）。
- 基本的にバックボーンケーブルに T 型コネクタを挿入し、引き込みケーブルを介して機器を接続します。
- バックボーンケーブルの両端には終端器を取り付けます。
- NMEA 2000 のネットワーク電源はバックボーンの中央に入れます（電圧降下の関係）。

NMEA 2000 (CAN) bus とは？

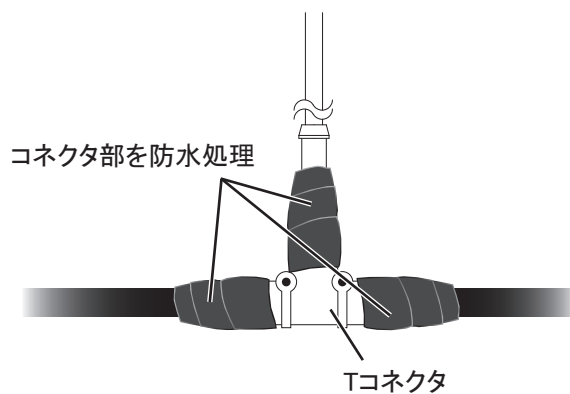
単一配線で、複数の情報や信号を通信できるプロトコルです（NMEA 2000 に準拠）。すべての情報 / 信号には ID があり、センサーの認識とエラー検出が可能です。さらに、同一ネットワーク内への機器追加が簡単に行えるため、拡張性が格段に向上します。

サービスマンの方へ：NMEA 2000 (CAN) bus の詳細については「Furuno CAN bus Network Design Guide (TIE-00170)」を参照してください。

結線の防水処理

ケーブルコネクタや、CAN bus (NMEA 2000) ネットワークの T コネクタに水がかかる恐れがある場合は、下記のようにコネクタ部を防水処理してください。

- 1) コネクタ部にビニールテープを 1 回巻きます。
- 2) ビニールテープの上に、自己融着テープを 1 回巻きます。
- 3) 自己融着テープの上に、ビニールテープを 2 回巻きます。



このページは空白です。

2 章 装備後の設定

本機は、電源投入のたびにコールドスタートし、約 60 秒で方位計算が終了します。30 分経過しても船首方位が計算されない場合は、空中線部の取付位置が適当でない可能性があります。本機と衛星の間の通信を遮断するような障害物がないことを確認してください。造船所内または岸壁で確認するときは、周囲に影になるような障害物や建造物がないか確認してください。

方位誤差が 5° 以上あるときは、船首方位を確認しながら空中線部の向きを合わせます。

本機は NMEA 2000 ネットワークを介して、次のいずれかの方法で設定を行うことができます。船首方位が計算されたあと、装備後の設定を行ってください。

- 次のいずれかの機種から本機の設定メニューを開き、設定を行う

- TZTL12F/TZTL15F/TZT2BB（ソフトウェア Ver. が“06.01”以降）
- NAVpilot-300（ソフトウェア Ver.（操作部）が“01.07”以降）
（ソフトウェア Ver.（制御部）が“01.06”以降）
- TZT12F/TZT16F/TZT19F

接続機器から本機の設定メニューを開く方法については、各機種の取扱説明書または装備要領書を参照してください。

- PC を接続し、SC 設定ツールから設定を行う

SC 設定ツールの操作や設定項目については、当社支店・営業所・代理店にお問い合わせ下さい。

注 1) 本機を再起動した場合は、設定メニューを開くために再接続の操作が必要です。

注 2) 本書では、TZTL15F から設定メニューを開いた場合の設定項目を記載しています。設定メニューの構成については、巻末の「メニューツリー」を参照してください。

2.1 [GNSS Setup] メニュー

[GNSS Setup] メニューでは、使用禁止衛星の設定や仰角マスクの設定などを行うことができます。

メニュー項目	内容
[Disable SV]	
[QZSS All]	[YES] に設定すると、準天頂衛星システム（QZSS）の全衛星を使用禁止にします。

メニュー項目	内容
[QZSS] → [QZSS1]	衛星番号を指定して、準天頂衛星システム (QZSS) の使用禁止衛星を設定できます。使用禁止衛星は、3つまで設定可能です。使用禁止衛星を設定しない場合は、「0」に設定してください。 注) [QZSS All] を [YES] に設定した場合は、設定値が自動的に「0」に変わります。
[QZSS] → [QZSS2]	
[QZSS] → [QZSS3]	
[GPS All]	[YES] に設定すると、GPS 衛星システムの全衛星を使用禁止にします。
[GPS] → [GPS1]	衛星番号を指定して、GPS 衛星システムの使用禁止衛星を設定できます。使用禁止衛星は、3つまで設定可能です。使用禁止衛星を設定しない場合は、「0」に設定してください。 注) [GPS All] を [YES] に設定した場合は、設定値が自動的に「0」に変わります。
[GPS] → [GPS2]	
[GPS] → [GPS3]	
[GLONASS All]	[YES] に設定すると、GLONASS 衛星システムの全衛星を使用禁止にします。
[GLONASS] → [GLONASS1]	衛星番号を指定して、GLONASS 衛星システムの使用禁止衛星を設定できます。使用禁止衛星は、3つまで設定可能です。使用禁止衛星を設定しない場合は、「0」に設定してください。 注) [GLONASS All] を [YES] に設定した場合は、設定値が自動的に「0」に変わります。
[GLONASS] → [GLONASS2]	
[GLONASS] → [GLONASS3]	
[Galileo All]	[YES] に設定すると、Galileo 衛星システムの全衛星を使用禁止にします。
[Galileo] → [Galileo1]	衛星番号を指定して、Galileo 衛星システムの使用禁止衛星を設定できます。使用禁止衛星は、3つまで設定可能です。使用禁止衛星を設定しない場合は、「0」に設定してください。 注) [Galileo All] を [YES] に設定した場合は、設定値が自動的に「0」に変わります。
[Galileo] → [Galileo2]	
[Galileo] → [Galileo3]	
[SV ELEV]	
[SV ELEV]	仰角マスク (仰角制限) の数値を入力します。ここで設定した仰角以下にある衛星は、測位に使用しません。仰角マスクを高く設定すると、測位精度は向上しますが、高く設定しすぎると衛星数が少なくなるため、測位ができなくなることがあります。
[SBAS]	
[SBAS Mode]	SBAS 測位を使用する場合は [On] を選択します。
[SBAS Search]	SBAS 測位する衛星を自動で設定する場合は [Auto]、手動で設定する場合は [Manual] を選択します。
[SBAS Satellite Selection]	SBAS 測位する衛星を設定します。 注) このメニューは [SBAS Search] の設定は [Manual] の場合のみ有効
[Disable SBAS]	
[Disable SBAS] → [SBAS1]	SBAS 測位を無効にする衛星を最大3つまで設定します。
[Disable SBAS] → [SBAS2]	
[Disable SBAS] → [SBAS3]	

2.2 [Sensor] メニュー

[Sensor] メニューでは、本機の装備位置、自船船体情報、補正值の設定などを行います。

メニュー項目	内容
[Offset]	
[HDG]	船首方位の補正值を設定します。船首方位が右舷方向にずれている場合はマイナスの値、左舷方向にずれている場合はプラスの値を設定します。
[Pitch]	ピッチ（縦揺れ）の補正值（°）を設定します。
[Roll]	ロール（横揺れ）の補正值（°）を設定します。
[SOG/3-Axis Speed]	3軸船速の補正值（%）を入力します。
[Air Pressure]	気圧の補正值（hPa）を設定します。
[Air Temperature]	気温の補正值（°C）を設定します。
[Smoothing]	
[SOG/COG]	対地船速 / 対地針路データをスムージング（平均化）する時間（秒）を設定します。
[3-Axis Speed]	3軸船速データをスムージング（平均化）する時間（秒）を設定します。
[ROT]	回頭角速度データをスムージング（平均化）する時間（秒）を設定します。
[DR Time]	
[DR Time]	衛星信号が途絶えたあと、推測航法（Dead-reckoning）状態で方位出力を維持する時間を設定します。設定された時間以内に衛星信号を受信できない場合、本機は方位出力を停止します。
[Ship Size, ANT/CALC-SPD Position]	
<p>3軸船速表示の精度向上のため、各船に応じた数値を入力してください。本機の装備位置や3軸船速計測用の基準点などは、下図のとおりです。</p>	
[Ship's Width]	自船の船体幅（最も幅の広い部分の船体幅）を入力します（設定範囲：1.0～999.9m）。
[Ship's Length]	自船の船体長（船の中心を通る船首から船尾までの船の長さ）を入力します（設定範囲：1.0～999.9m）。

2章 装備後の設定

メニュー項目	内容
[Ship's Height]	自船の船体高さ（キール下部からマスト上部までの船の高さ）を設定します（設定範囲：1.0～199.9m）。
[ANT Position X0]	本機の右舷/左舷方向の装備位置（本機中心）を設定します。装備位置が右舷側の場合は正、左舷側の場合は負の値を入力します（設定範囲：-327.64～+327.64m）。
[ANT Position Y0]	本機の船首/船尾方向の装備位置を設定します。船首を0とし、船首から船尾方向への距離で設定します（設定範囲：0.0～999.9m）。
[ANT Position Z0]	サテライトコンパスの高さ方向の装備位置を設定します。船底を0とし、船底からの距離で設定します（設定範囲：0.0～199.9m）。
[CALC-SPD-POSN Y1 (BOW)] [CALC-SPD-POSN Y2 (Stern)]	<p>3軸船速の船速出力位置を設定します（船首尾方向）。3軸船速では、本機の装備位置とは別に、前後2カ所で船速を計算します。基準点から、船速を測定したい位置までの距離（船尾方向）を入力してください（Y1：船首付近、Y2：船尾付近）。</p> <p>注）工場出荷時では、[CALC-SPD-Y1]は[0 m]と設定されています。[CALC-SPD-Y2]は同メニューの[Ship's Length]で設定された値を引き継ぎます。小・中型船では基本的にこの設定の変更は不要です。大型船のドッキング時などに、船首以外の船側測位が必要な場合、適切に設定変更を行ってください。いずれの船種でも、[CALC-SPD-Z]の設定を船底から吃水線までの高さを設定する様、お勧めします。</p> <p>詳細については、お買い上げの販売店・代理店、最寄りの当社支店・営業所までお問い合わせください。</p>
[CALC-SPD-POSN Z (Height)]	3軸船速の船速出力位置を設定します（高さ方向）。たとえば吃水線での船速を測定したい場合は、船底から吃水線までの高さを入力します。

2.3 [Input/Output] メニュー

[Input/Output] メニューでは、本機から出力される PGN のオン/オフや送信周期を設定します。

送信周期の設定が可能な PGN は、次表のとおりです。設定可能な送信周期の値は、PGN ごとに異なります。PGN ごとの設定範囲は、AP-1 ページの「メニューツリー」を参照してください。出力を停止する場合は、「Off」に設定してください。

注) 通常は、初期設定のまま使用してください。送信周期を変更する場合は、変更が必要な PGN のみ調整してください。短い送信周期の PGN 出力が多いと、設定した送信周期で出力できなくなる可能性があります。

PGN	PGN 名	PGN	PGN 名
065280	Heave	129540	GNSS Sats in View
126992	System Time	130310	Environmental Parameters
126993	Heartbeat	130312	Temperature
127250	Vessel Heading	130314	Actual Pressure
127251	Rate of Turn	130316	Temperature, Extended Range
127252	Heave	130577	Direction Data
127257	Attitude	130578	Vessel Speed Components
127258	Magnetic Variation	130842	Six Degrees of Freedom Movement
129025	Position, Rapid Update	130843	Heel Angle and Roll Information
129026	COG and SOG, Rapid Update	130845	Multi Sats In View Extended
129029	GNSS Position Data	130846	Motion Sensor Status Extended
129539	GNSS DOPs		

2.4 [System] メニュー

[System] メニューでは、本機のシステム情報の表示、セルフテストの実行、工場出荷時設定へのリセットなどを行うことができます。

メニュー項目	内容
[System Information]	
[Main PCB]	MAIN 基板のバージョンを表示します。
[Starter Version]	Starter のバージョンを表示します。
[Booter 1 Version]	Booter 1 のバージョンを表示します。
[Booter 2 Version]	Booter 2 のバージョンを表示します。
[Application Version]	ソフトウェアバージョンを表示します。
[Serial No.]	本機のシリアル番号を表示します。
[GNSS 1]	GNSS コア 1～4 のバージョンを表示します。
[GNSS 2]	
[GNSS 3]	
[GNSS 4]	
[CAN Unique Number]	CAN 固有 ID を表示します。
[CAN Address]	本機に割り当てられ CAN アドレスを表示します。
[Powered Time]	本機の電源を最後に入れてからの経過時間を表示します。
[Overall Powered Time]	MAIN 基板の累計稼働時間を表示します。

メニュー項目	内容	
[Simple Diagnostic Test]		
[ROM]	ROM のテスト結果を表示します (OK/NG)。	
[RAM]	RAM のテスト結果を表示します (OK/NG)。	
[Rate Gyro Status]	角速度センサーのテスト結果を表示します (Good/Bad)。	
[Accelerometer Status]	加速度センサーのテスト結果を表示します (Good/Bad)。	
[Magnetic Sensor Status]	磁気センサーのテスト結果を表示します (Good/Bad)。	
[Press./Temp. Sensor Status]	気圧センサー / 温度センサーのテスト結果を表示します (Good/Bad)。	
[Installation Status]	本機を装備した場所での異常な振動の回数を表示します。	
[GNSS 1 Status]	GNSS1 ~ 4 のテスト結果を表示します (Good/Bad)。	
[GNSS 2 Status]		
[GNSS 3 Status]		
[GNSS 4 Status]		
[Antenna 1 Status]	アンテナ 1 ~ 4 のテスト結果を表示します (Good/Bad)。	
[Antenna 2 Status]		
[Antenna 3 Status]		
[Antenna 4 Status]		
[Advanced Diagnostic Test]		
[ROM]	それぞれの項目についてのテスト結果を表示します (OK/NG)。 注) このテストは自動的に行われ、テストしている間はデータは出力されません。	
[RAM]		
[Rate Gyro Test]		
[Accelerometer Test]		
[GNSS 1 RAM Test]		
[GNSS 1 ROM Test]		
[GNSS 2 RAM Test]		
[GNSS 2 ROM Test]		
[GNSS 3 RAM Test]		
[GNSS 3 ROM Test]		
[GNSS 4 RAM Test]		
[GNSS 4 ROM Test]		
[Reset Setting]		
[Menu Settings]	[YES] を選択すると、全てのメニュー設定が工場出荷時の設定に戻ります。 実行後、本機を再起動する必要があります。	注) 日時情報も工場出荷時設定に戻りますので、衛星情報が取得できるまでは測位が行われません。
[Factory Reset]	[YES] を選択すると、全てのメニュー設定が工場出荷時の設定に戻ります。	
[Restart]		
[System Restart]	[YES] に設定すると、本機が再起動します。 注) 再起動中は、本機からのすべてのデータ出力が停止します。係留中など安全な場合にのみ実施してください。	

3章 保守

3.1 保守点検

機器の性能を十分に発揮させるには、定期的な点検が必要です。定期的に次の項目を点検してください。

項目	チェックポイント	対処
コネクタ	コネクタすべてが確実に締まっているか確認する。	ケーブルのコネクタを確実に接続する。
ケーブル配線	ケーブルに傷などがいないか確認する。	ケーブル交換が必要な場合は、お買い上げ先、または当社支店・営業所に問い合わせる。
ユニットカバー	カバーの清掃	ほこりや汚れは、柔らかい乾いた布でふき取る。泥や塩などがこびり付いている場合は、濡れた布でゆっくりとふきます。清掃にシンナーやアセトン、アルコール、ベンジンなどのプラスチック溶剤は使用しないでください。表面の塗装や表示部の文字などが溶ける場合があります。

3.2 トラブルシューティング

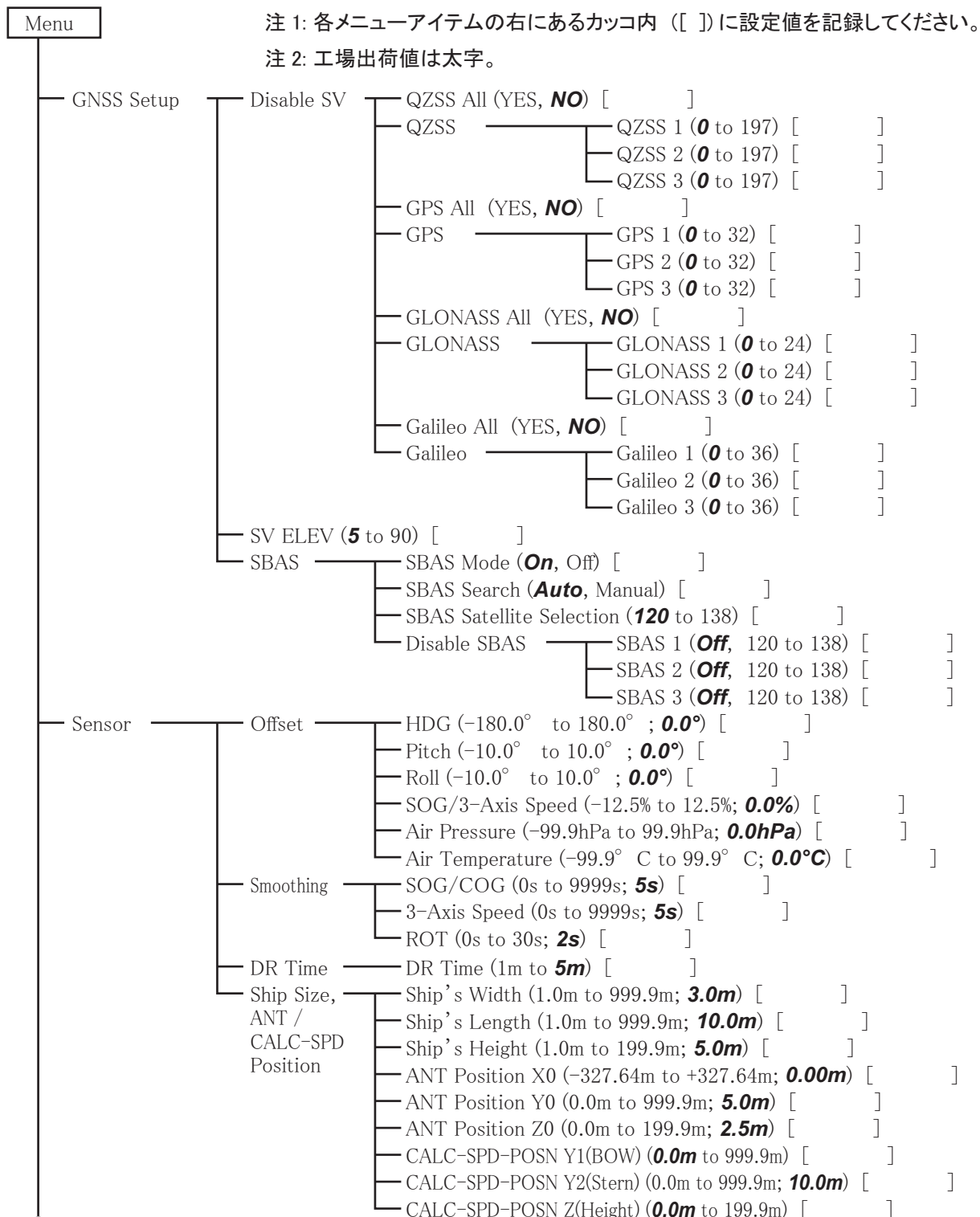
「故障かな」と思ったら、まず次の点検を行ってください。修理は資格をもったサービスマンに依頼してください。また、サービスマンを呼ぶときには、点検した事柄を詳しく報告していただくと、サービスが迅速になります。

項目	考えられる要因	対処
データが出力されない。	ケーブルの接続不良 / 損傷 / 欠陥	ケーブルコネクタがしっかりと接続されていることを確認する。またケーブルに損傷がないか確認する。NMEA 2000 バスに電力が供給され、正しく動作していることを確認する。必要に応じて、お買い上げ先、または当社支店・営業所に問い合わせる。
	表示部の設定不備 (NMEA 2000 機器)	接続されている NMEA 2000 機器側の説明書を参照して、メニュー設定を確認する。
データが正しく出力されない	装備後の設定でオフセットが正しく設定されていない / 適用されていない	<ul style="list-style-type: none">• 装備場所が適切か確認する。• 接続されている他の機器での設定値を確認する。必要に応じて、オフセットを再調整する。
位置情報が取得できない	アンテナ 4 に GLONASS 衛星が設定されている	アンテナ 4 では GLONASS 衛星の使用はできません。GLONASS 衛星を使用する場合は、アンテナ 1～3 を選択してください。

このページは空白です。

追補 1 メニューツリー

本書では、TZTL12F/TZTL15F/TZT2BB、および NAVpilot-300 から設定メニューを開いた場合のメニューツリーを記載しています。SC 設定ツールのメニューツリーについては、SC 設定ツールの取扱説明書 (OMJ-72851) を参照してください (詳細は当社支店・営業所・代理店にお問い合わせ下さい)。



① [次ページに続く](#)



前ページからの続き

Input/Output — PGN*

*: PGN設定では測定
単位としてミリ秒(ms)
を使用します。

- 065280 (Off, 20, 25, 50, **100**, 200, 1000, 2000) []
- 126992 (Off, **1000**, 2000) []
- 126993 (Off, **60000**) []
- 127250 (Off, 20, 25, 50, **100**, 200, 1000, 2000) []
- 127251 (Off, 20, 25, 50, **100**, 200, 1000, 2000) []
- 127252 (Off, 20, 25, 50, **100**, 200, 1000, 2000) []
- 127257 (Off, 20, 25, 50, **100**, 200, 1000, 2000) []
- 127258 (Off, **1000**, 2000) []
- 129025 (Off, **100**, 200, 1000, 2000) []
- 129026 (Off, 200, **250**, 1000, 2000) []
- 129029 (Off, **1000**, 2000) []
- 129539 (Off, **1000**, 2000) []
- 129540 (Off, **1000**, 2000) []
- 130310 (Off, **500**, 1000, 2000) []
- 130312 (Off, 500, **1000**) []
- 130314 (Off, 1000, **2000**) []
- 130316 (Off, 1000, **2000**) []
- 130577 (Off, 20, 25, 50, 100, 200, **1000**, 2000) []
- 130578 (Off, 200, **250**, 1000, 2000) []
- 130842 (Off, 20, 25, 50, **100**, 200) []
- 130843 (Off, 20, 25, 50, **100**, 200) []
- 130845 (Off, **1000**) []
- 130846 (Off, **1000**) []

System

System
Information

- Main PCB (Display only) []
- Starter Version (Display only) []
- Booter1 Version (Display only) []
- Booter2 Version (Display only) []
- Application Version (Display only) []
- Serial No. (Display only) []
- GNSS 1 (Display only) []
- GNSS 2 (Display only) []
- GNSS 3 (Display only) []
- GNSS 4 (Display only) []
- CAN Unique Number (Display only) []
- CAN Address (Display only) []
- Powered Time (Display only) []
- Overall Powered Time (Display only) []



次ページに続く

② 前ページからの続き

Simple Diagnostic Test	<ul style="list-style-type: none"> — ROM (OK, NG) [] — RAM (OK, NG) [] — Rate Gyro Status (Good, Bad) [] — Accelerometer Status (Good, Bad) [] — Magnetic Sensor Status (Good, Bad) [] — Press./Temp. Sensor Status (Good, Bad) [] — Installation Status (0 to 99) [] — GNSS 1 Status (Good, Bad) [] — GNSS 2 Status (Good, Bad) [] — GNSS 3 Status (Good, Bad) [] — GNSS 4 Status (Good, Bad) [] — Antenna 1 Status (Good, Bad) [] — Antenna 2 Status (Good, Bad) [] — Antenna 3 Status (Good, Bad) [] — Antenna 4 Status (Good, Bad) []
Advanced Diagnostic Test	<ul style="list-style-type: none"> — ROM (OK, NG) [] — RAM (OK, NG) [] — Rate Gyro Test (OK, NG) [] — Accelerometer Test (OK, NG) [] — GNSS 1 RAM Test (OK, NG) [] — GNSS 1 ROM Test (OK, NG) [] — GNSS 2 RAM Test (OK, NG) [] — GNSS 2 ROM Test (OK, NG) [] — GNSS 3 RAM Test (OK, NG) [] — GNSS 3 ROM Test (OK, NG) [] — GNSS 4 RAM Test (OK, NG) [] — GNSS 4 ROM Test (OK, NG) []
Reset Setting	<ul style="list-style-type: none"> — Menu Settings (YES, NO) [] — Factory Reset (YES, NO) []
Restart	<ul style="list-style-type: none"> — System Restart (YES, NO) []

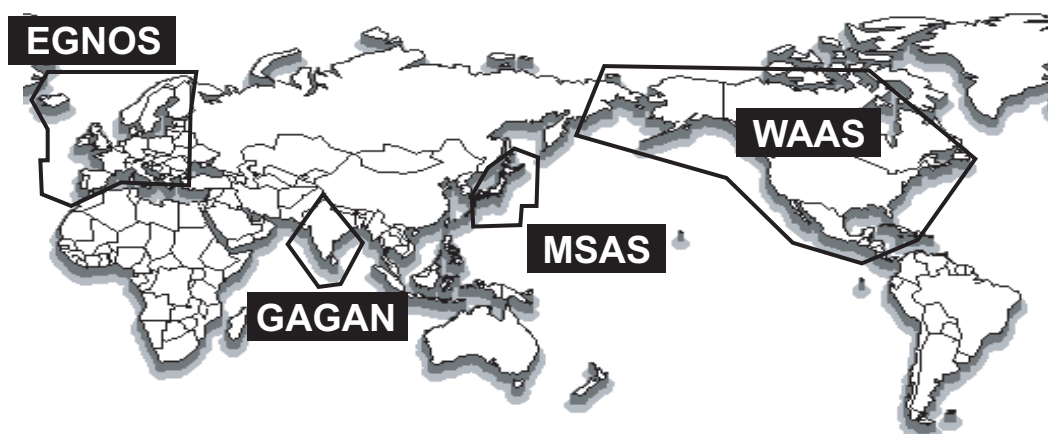
追補 2 測地系リスト

001: WGS84		
002: WGS72		
003: TOKYO	: Mean Value (Japan, Korea & Okinawa)	
004: NORTH AMERICAN 1927	: Mean Value (CONUS)	
005: EUROPEAN 1950	: Mean Value	
006: AUSTRALIAN GEODETIC 1984	: Australia & Tasmania	
007: ADINDAN	: Mean Value (Ethiopia & Sudan)	
008: ADINDAN	: Ethiopia	
009: ADINDAN	: Mali	
010: ADINDAN	: Senegal	
011: ADINDAN	: Sudan	
012: AFG	: Somalia	
013: AIN EL ABD 1970	: Bahrain Is.	
014: ANNA 1 ASTRO 1965	: Cocos Is.	
015: ARC 1950	: Mean Value	
016: ARC 1950	: Botswana	
017: ARC 1950	: Lesotho	
018: ARC 1950	: Malawi	
019: ARC 1950	: Swaziland	
020: ARC 1950	: Zaire	
021: ARC 1950	: Zambia	
022: ARC 1950	: Zimbabwe	
023: ARC 1960	: Mean Value (Kenya & Tanzania)	
024: ARC 1960	: Kenya	
025: ARC 1960	: Tanzania	
026: ASCENSION IS. 1958	: Ascension Is.	
027: ASTRO BEACON "E"	: Iwo Jima Is.	
028: ASTRO B4 SOR. ATOLL	: Tern Is.	
029: ASTRO POS 71/4	: St. Helena Is.	
030: ASTRONOMIC STATION 1952	: Marcus Is.	
031: AUSTRALIAN GEODETIC 1966	: Australia & Tasmania	
032: BELLEVUE (IGN)	: Efate & Erromango Is.	
033: BERMUDA 1957	: Bermuda Is.	
034: BOGOTA OBSERVATORY	: Columbia	
035: CAMPO INCHAUSPE	: Argentina	
036: CANTON IS. 1966	: Phoenix Is.	
037: CAPE	: South Africa	
038: CAPE CANAVERAL	: Mean Value (Florida & Bahama Is.)	
039: CARTHAGE	: Tunisia	
040: CHATHAM 1971	: Chatham Is. (New Zealand)	
041: CHUA ASTRO	: Paraguay	
042: CORREGO ALEGRE	: Brazil	
043: DJAKARTA (BATAVIA)	: Sumatra Is. (Indonesia)	
044: DOS 1968	: Gizo Is. (New Georgia Is.)	
045: EASTER IS. 1967	: Easter Is.	
046: EUROPEAN 1950 (Cont'd)	: Western Europe	
047: EUROPEAN 1950 (Cont'd)	: Cyprus	
048: EUROPEAN 1950 (Cont'd)	: Egypt	
049: EUROPEAN 1950 (Cont'd)	: England, Scotland, Channel & Shetland Is.	
050: EUROPEAN 1950 (Cont'd)	: England, Ireland, Scotland & Shetland Is.	
051: EUROPEAN 1950 (Cont'd)	: Greece	
052: EUROPEAN 1950 (Cont'd)	: Iran	
053: EUROPEAN 1950 (Cont'd)	: Italy, Sardinia	
054: EUROPEAN 1950 (Cont'd)	: Italy, Sicily	
055: EUROPEAN 1950 (Cont'd)	: Norway & Finland	
056: EUROPEAN 1950 (Cont'd)	: Portugal & Spain	
057: EUROPEAN 1979	: Mean Value	
058: GANDAJIKA BASE	: Republic of Maldives	
059: GEODETIC DATUM 1949	: New Zealand	
060: GUAM 1963	: Guam Is.	
061: GUX 1 ASTRO	: Guadalcanal Is.	
062: HJORSEY 1955	: Iceland	
063: HONG KONG 1963	: Hong Kong	
064: INDIAN	: Thailand & Vietnam	
065: INDIAN	: Bangladesh, India & Nepal	
066: IRELAND 1965	: Ireland	
067: ISTS 073 ASTRO 1969	: Diego Garcia	
068: JOHNSTON IS. 1961	: Johnston Is.	
069: KANDAWALA	: Sri Lanka	
070: KERGUELEN IS.	: Kerguelen Is.	
071: KERTAU 1948	: West Malaysia & Singapore	
072: LA REUNION	: Mascarene Is.	
073: L. C. 5 ASTRO	: Cayman Brac Is.	
074: LIBERIA 1964	: Liberia	
075: LUZON	: Philippines (excl. Mindanao Is.)	
076: LUZON	: Mindanao Is.	
077: MAHE 1971	: Mahe Is.	
078: MARCO ASTRO	: Salvage Islands	
079: MASSAWA	: Eritrea (Ethiopia)	
080: MERCHICH	: Morocco	
081: MIDWAY ASTRO 1961	: Midway Is.	
082: MINNA	: Nigeria	
083: NAHRWAN	: Masirah Is. (Oman)	
084: NAHRWAN	: United Arab Emirates	
085: NAHRWAN	: Saudi Arabia	
086: NAMIBIA	: Namibia	
087: MAPARIMA, BWI	: Trinidad & Tobago	
088: NORTH AMERICAN 1927	: Western United States	
089: NORTH AMERICAN 1927	: Eastern United States	
090: NORTH AMERICAN 1927	: Alaska	
091: NORTH AMERICAN 1927	: Bahamas (excl. San Salvador Is.)	
092: NORTH AMERICAN 1927	: Bahamas, San Salvador Is.	
093: NORTH AMERICAN 1927 (Cont'd)	: Canada (incl. Newfoundland Is.)	
094: NORTH AMERICAN 1927 (Cont'd)	: Alberta & British Columbia	
095: NORTH AMERICAN 1927 (Cont'd)	: East Canada	
096: NORTH AMERICAN 1927 (Cont'd)	: Manitoba & Ontario	
097: NORTH AMERICAN 1927 (Cont'd)	: Northwest Territories & Saskatchewan	
098: NORTH AMERICAN 1927 (Cont'd)	: Yukon	
099: NORTH AMERICAN 1927 (Cont'd)	: Canal Zone	
100: NORTH AMERICAN 1927 (Cont'd)	: Caribbean	
101: NORTH AMERICAN 1927 (Cont'd)	: Central America	
102: NORTH AMERICAN 1927 (Cont'd)	: Cuba	
103: NORTH AMERICAN 1927 (Cont'd)	: Greenland	
104: NORTH AMERICAN 1927 (Cont'd)	: Mexico	
105: NORTH AMERICAN 1983	: Alaska	
106: NORTH AMERICAN 1983	: Canada	
107: NORTH AMERICAN 1983	: CONUS	
108: NORTH AMERICAN 1983	: Mexico, Central America	
109: OBSERVATORIO 1966	: Corvo & Flores Is. (Azores)	
110: OLD EGYPTIAN 1930	: Egypt	
111: OLD HAWAIIAN	: Mean Value	
112: OLD HAWAIIAN	: Hawaii	
113: OLD HAWAIIAN	: Kauai	
114: OLD HAWAIIAN	: Maui	
115: OLD HAWAIIAN	: Oahu	
116: OMAN	: Oman	
117: ORDANCE SURVEY OF GREAT BRITAIN 1936	: Mean Value	
118: ORDANCE SURVEY OF GREAT BRITAIN 1936	: England	
119: ORDANCE SURVEY OF GREAT BRITAIN 1936	: England, Isle of Man & Wales	
120: ORDANCE SURVEY OF GREAT BRITAIN 1936	: Scotland & Shetland Is.	
121: ORDANCE SURVEY OF GREAT BRITAIN 1936	: Wales	
122: PICO DE LAS NIVIES	: Canary Is.	
123: PITCAIRN ASTRO 1967	: Pitcairn Is.	
124: PROVISIONAL SOUTH CHILEAN 1963	: South Chile (near 53°S)	
125: PROVISIONAL SOUTH AMERICAN 1956	: Mean Value	
126: PROVISIONAL SOUTH AMERICAN 1956	: Bolivia	
127: PROVISIONAL SOUTH AMERICAN 1956	: Chile-Northern Chile (near 19°S)	
128: PROVISIONAL SOUTH AMERICAN 1956	: Chile-Southern Chile (near 43°S)	
129: PROVISIONAL SOUTH AMERICAN 1956	: Columbia	
130: PROVISIONAL SOUTH AMERICAN 1956	: Ecuador	
131: PROVISIONAL SOUTH AMERICAN 1956	: Guyana	
132: PROVISIONAL SOUTH AMERICAN 1956	: Peru	
133: PROVISIONAL SOUTH AMERICAN 1956	: Venezuela	
134: PUERTO RICO	: Puerto Rico & Virgin Is.	
135: QATAR NATIONAL	: Qatar	
136: QORNOQ	: South Greenland	
137: ROME 1940	: Sardinia Is.	
138: SANTA BRAZ	: Sao Miguel, Santa Maria Is. (Azores)	
139: SANTO (DOS)	: Espirito Santo Is.	
140: SAPPER HILL 1943	: East Falkland Is.	
141: SOUTH AMERICAN 1969	: Mean Value	
142: SOUTH AMERICAN 1969	: Argentina	
143: SOUTH AMERICAN 1969	: Bolivia	
144: SOUTH AMERICAN 1969	: Brazil	
145: SOUTH AMERICAN 1969	: Chile	
146: SOUTH AMERICAN 1969	: Columbia	
147: SOUTH AMERICAN 1969	: Ecuador	
148: SOUTH AMERICAN 1969	: Guyana	
149: SOUTH AMERICAN 1969	: Paraguay	
150: SOUTH AMERICAN 1969	: Peru	
151: SOUTH AMERICAN 1969	: Trinidad & Tobago	
152: SOUTH AMERICAN 1969	: Venezuela	
153: SOUTH ASIA	: Singapore	
154: SOUTHEAST BASE	: Porto Santo & Madeira Is.	
155: SOUTHWEST BASE	: Faial, Graciosa, Pico, Sao Jorge & Terceira Is.	
156: TIMBALAI 1948	: Brunei & East Malaysia (Sarawak & Sabah)	
157: TOKYO	: Japan	
158: TOKYO	: Korea	
159: TOKYO	: Okinawa	
160: TRISTAN ASTRO 1968	: Tristan da Cunha	
161: VITI LEVU 1916	: Viti Levu Is. (Fiji Is.)	
162: WAKE-ENIWETOK 1960	: Marshall Is.	
163: ZANDERIJ	: Surinam	
164: BUKIT RIMPAH	: Bangka & Belitung Is. (Indonesia)	
165: CAMP AREA ASTRO	: Camp Marmurdo Area, Antarctica	
166: G. SEGARA	: Kalimantan Is. (Indonesia)	
167: HERAT NORTH	: Afghanistan	
168: HU-TZU-SHAN	: Taiwan	
169: TANANARIVE OBSERVATORY 1925	: Madagascar	
170: YACARE	: Uruguay	
171: RT-90	: Sweden	
172: CK42 (PULKOVO 1942)	: Russia	
173: FINNISH KKJ	: Finland	
174: PZ90	: Russia	
175: CK95	: Russia	

追補 3 SBAS のサービス範囲

静止衛星を使用した GPS の広域補強システムを総称して SBAS (Satellite Based Augmentation System) といいます。静止衛星から広範囲に GPS の誤差補正情報などが放送されるため、GPS 測位に比べ高精度に測位できます。

米国、欧州、日本、インドでは、広域補強システムを運用しており、相互に共通運用性があります。各プロバイダ (WAAS、EGNOS、MSAS、GAGAN) のサービス範囲については、下図を参照してください。本書では、WAAS、EGNOS、MSAS、GAGAN を含めて、「SBAS」と記載しています。



SBAS の衛星配置

プロバイダ	運用国	衛星の種類	経度	衛星番号
WAAS	米国	Intelsat Galaxy XV	133°W	135
		TeleSat Anik F1R	107.3°W	138
		Inmarsat-4-F3	98°W	133
EGNOS	欧州	Inmarsat-3-F2/AOR-E	15.5°W	120
		Artemis	21.5°E	124
		Inmarsat-4-F2	25°E	126
		SES-5	5°E	136
MSAS	日本	MTSAT-1R	140°E	129
		MTSAT-2	145°E	137
GAGAN	インド	GSAT-8	55°E	127
		GSAT-10	83°E	128

2014/3/6 現在

サテライトコンパス SCX-20 仕様

1. 総合

- (1) 受信周波数 1575.42 MHz (GPS/Galileo/QZSS/SBAS)、1602.5625 MHz (GLONASS)
- (2) 受信コード C/A コード (GPS/QZSS/SBAS)、E1B (Galileo)、L10F (GLONASS)
- (3) 姿勢角精度 ヘディング/ロール/ピッチ
1.0° rms (静止時)、0.5° rms (動揺時)
- (4) 追従角速度 45° /s
- (5) ヒープ精度 5 cm (1σ)
- (6) 姿勢角静定時間 約 60 秒
- (7) 測位精度 (電離層、マルチパスの状態により変化)
GNSS 約 5 m (2drms、HDOP<4)
MSAS 約 4 m (2drms、HDOP<4)
WAAS 約 3 m (2drms、HDOP<4)
- (8) 初期捕捉時間 約 50 秒
- (9) 更新周期 姿勢角：最大 50 Hz、位置：最大 10 Hz
- (10) 船速精度
SOG 0.02 kn (衛星 5 個以上)
0.2 kn (衛星 3~4 個)
VBW (対地船速) 0.02 kn (衛星 5 個以上、空中線位置)
0.08 kn (衛星 5 個以上、空中線位置以外)
船速の 2.0%または 0.02 kn のいずれか大きい方 (衛星 3~4 個)
- (11) 環境センサー
気圧 測定範囲：850~1100 hPa (周囲温度 0~+50°C)
精度：±1.0 hPa (オフセット調整後)
気温 測定範囲：-20°C~+55°C (相対風速 4kn 以上)
精度：±2.0°C (オフセット調整後)

2. インターフェイス

- (1) ポート数 NMEA2000：1 ポート
- (2) 入出力 PGN
入力 059392/904, 060160/416/928, 061184, 065240, 126208/720, 130847
出力 059392/904, 060928, 061184, 065280, 126208/464/720/992/993,
126996/998, 127250/251/252/257/258,
129025/026/029/538/539/540, 130310/312/314/316/577*/578,
130816/817/818/819/822/823/833/834/842/843/845/846/847

*：速度の更新周期は最大 200 ms (5 Hz)

3. 電源

DC12-24 V (10.8-31.2V)：0.2-0.1 A (LEN:4、9 V 時)

4. 環境条件

- (1) 使用温度範囲 -25°C~+55°C (保存温度：-30°C~+70°C)
- (2) 相対湿度 95%以下 (+40°C)
- (3) 保護等級 IP56
- (4) 振動 IEC60945 Ed. 4

5. ユニットカラー

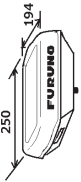





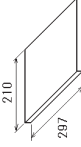
N9.5

PACKING LIST

20BK-X-9851 -3 1/1

A-1

SCX-20*

NAME	UNIT	OUTLINE	DESCRIPTION/ CODE No.	Q'TY
ユニット サテライトボックス SATELLITE COMPASS	1		SCX-20 000-036-766-00	1
工事材料 INSTALLATION MATERIALS				
ケーブル(4芯) NMEA CABLE ASSEMBLY	1		FRU-NMEA-PIMIFF-060 001-533-080-00	1
工事材料 INSTALLATION MATERIALS				
ルーフマウントキット ROOF MOUNT KIT	1		CP20-04601 001-556-150-00	1
ポールマウントキット POLE MOUNT KIT	1		CP20-04602 001-556-170-00	1 (*1)
マスト取付金具 MAST MOUNTING KIT	1		CP20-04603 001-556-200-00	1 (*2)
マスト取付金具 MAST MOUNTING KIT	1		CP20-04605 001-556-240-00	1 (*3)
図書 DOCUMENT				
取扱説明書(和/英) OPERATOR'S MANUAL (JP/EN)	1		OMC-72860-* 000-195-293-1*	1

- (*)1の工事材料はR仕様のみの必要
- (*)1 IS ONLY REQUIRED FOR "R" SPECIFICATION.
- (*)2の工事材料はP仕様とP-M仕様のみの必要
- (*)2 IS ONLY REQUIRED FOR "P" "P-M" SPECIFICATION.
- (*)3の工事材料はP-M仕様のみの必要
- (*)3 IS ONLY REQUIRED FOR "P-M" SPECIFICATION.

(略図の寸法は、参考値です。 DIMENSIONS IN DRAWING FOR REFERENCE ONLY.)

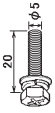
C7286-Z01-D

A-2

FURUNO

工事材料表

INSTALLATION MATERIALS

CODE NO.	TYPE	001-556-150-00	20BK-X-9401 -0	1/1
番号	名称	型名/規格	数量	用途/備考
NO.	NAME	DESCRIPTIONS	Q'TY	REMARKS
1	UP SET UI SCREW	MSX20 SUS304 000-160-442-10	3	
		略図 OUTLINE 		

(略図の寸法は、参考値です。 DIMENSIONS IN DRAWING FOR REFERENCE ONLY.)



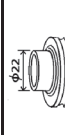
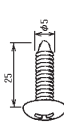
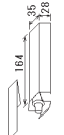


FURUNO ELECTRIC CO., LTD.

C7286-M01-A

CODE NO.	001-556-170-00	20BK-X-9402-1	1/1
TYPE	CP20-04602		

工事材料表

INSTALLATION MATERIALS

番号 NO.	名称 NAME	略図 OUTLINE	型名/規格 DESCRIPTIONS	数量 QTY	用途/備考 REMARKS
1	7ヶ穴円板付 ATTACHMENT GASKET		20-040-1106-0 CODE NO. 100-429-670-10	1	
2	ルーフマウント部材 ROOF MOUNT TEXTURE		20-040-1107-2 CODE NO. 100-429-682-10	1	
3	ルーフマウント付 ROOF MOUNT GASKET		20-040-1108-1 CODE NO. 100-429-691-10	1	
4	1ヶ穴円板付 SELF-TAPPING SCREW		5X25 SUS304 CODE NO. 000-162-610-10	4	
5	接着剤袋詰 ADHESIVE		TB5211-50G CODE NO. 001-477-870-00	1	
6	フラッシュマウント形紙 FLASH MOUNTING TEMPLATE		C72-01801-# CODE NO. 000-195-297-1#	1	
7	ルーフマウント付注意 NOTICE FOR INSTALLATION		C72-01905-# CODE NO. 000-197-436-1#	1	

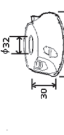
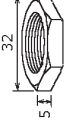
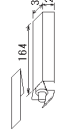
(略図の寸法は、参考値です。 DIMENSIONS IN DRAWING FOR REFERENCE ONLY.)

FURUNO ELECTRIC CO., LTD.

CODE NO.	001-556-200-00	20BK-X-9403-0	1/1
TYPE	CP20-04603		

工事材料表

INSTALLATION MATERIALS

番号 NO.	名称 NAME	略図 OUTLINE	型名/規格 DESCRIPTIONS	数量 QTY	用途/備考 REMARKS
1	ルーフマウント POLE MOUNT ASSEMBLY		CP20-04004 CODE NO. 001-556-210-00	1	
2	ロックナット LOCK NUT		20-040-1118-0 CODE NO. 100-429-750-10	1	
3	接着剤袋詰 ADHESIVE		TB5211-50G CODE NO. 001-477-870-00	1	





(略図の寸法は、参考値です。 DIMENSIONS IN DRAWING FOR REFERENCE ONLY.)

FURUNO ELECTRIC CO., LTD.

CODE NO.	001-556-240-00	20BK-X-9404-0	1/1
TYPE	CP20-04605		

工事材料表

INSTALLATION MATERIALS

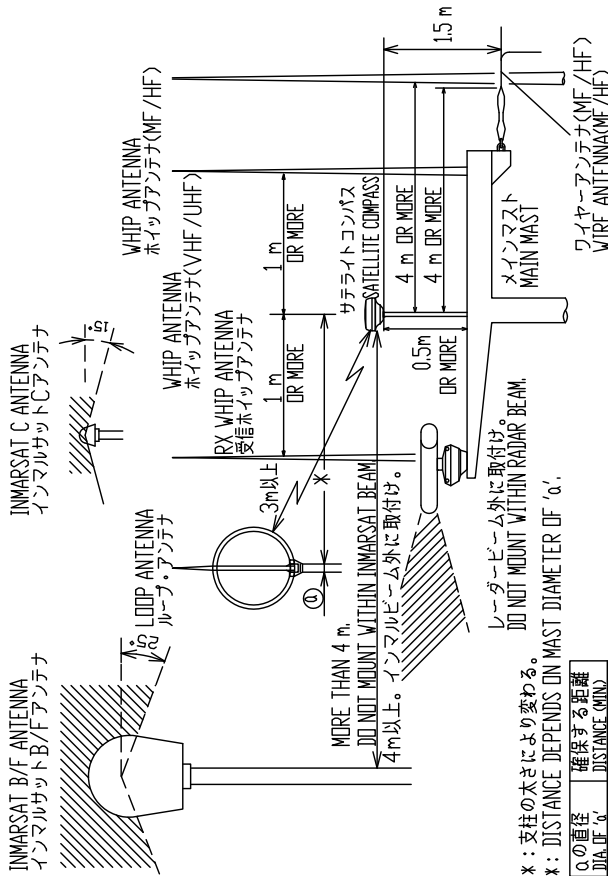
番号 NO.	名称 NAME	略図 OUTLINE	型名/規格 DESCRIPTIONS	数量 Q'TY	用途/備考 REMARKS
1	パイプ PIPE		ZO-007-3011-4 CODE NO. 100-183-264-10	1	
2	取付補助金具 FIXING SUPPORT FIXTURE		ZO-040-1117-2 CODE NO. 100-429-742-10	1	
3	ケーブルタイ CABLE TIE		CV-150B CODE NO. 100-167-183-10	1	
4	ホースクランプ (ABA) HOSE CLAMP		SUS316 12MM 38-50 CODE NO. 100-196-736-10	2	

(略図の寸法は、参考値です。 DIMENSIONS IN DRAWING FOR REFERENCE ONLY.)

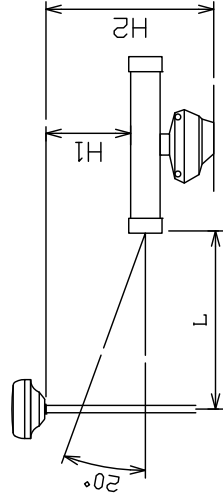
FURUNO ELECTRIC CO., LTD.

取付位置
MOUNTING LOCATION

他の機器のアンテナから下の図の距離以上離す。
THIS FIGURE SHOWS THE SEPARATION DISTANCES FROM OTHER ANTENNAS TO AVOID MUTUAL INTERFERENCE.

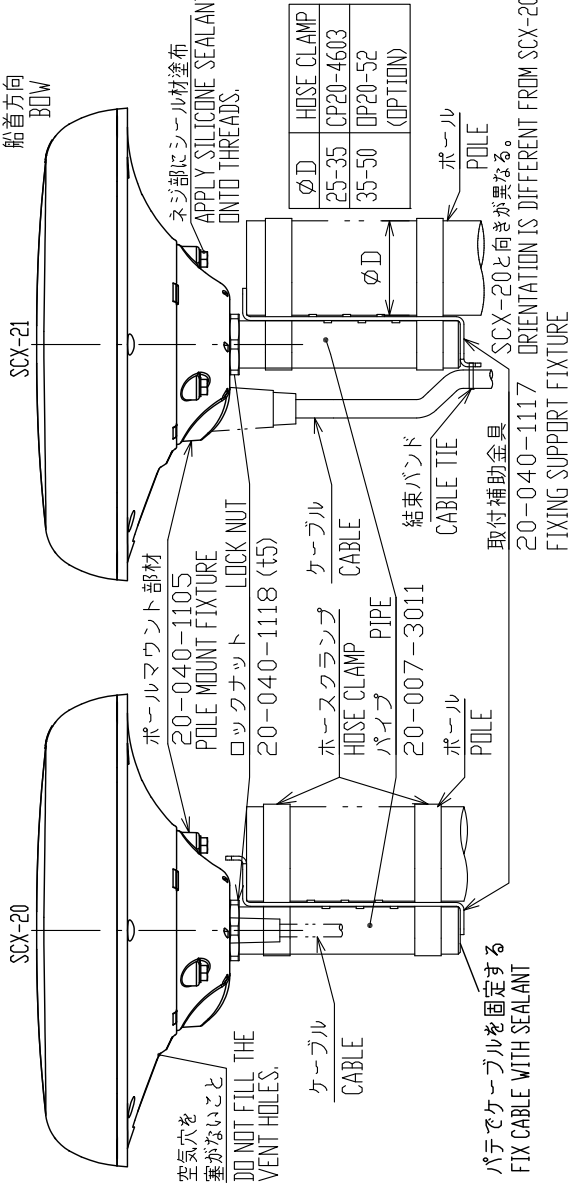


B) レーダー空中線部との位置関係
RADAR ANTENNA LOCATION



H_2 が1m以上、 L が3m以上の時、レーダーからの仰角は20度以上。
 L が3m未満のときは、 H_1 は0.8m以上とすること。
IF H_2 IS AT LEAST 1 m AND L IS MORE THAN 3 m, THE ELEVATION ANGLE FROM THE RADAR SHOULD BE MORE THAN 20°. IF L IS LESS THAN 3 m, H_1 SHOULD BE MORE THAN 0.8 m.

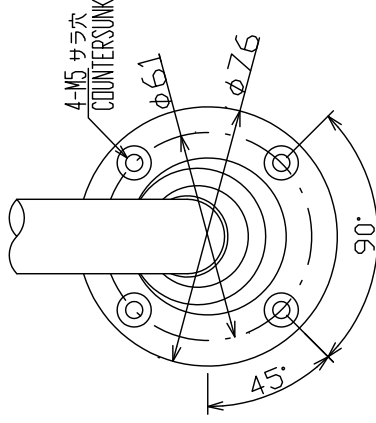
A) マストへの取付け
MAST MOUNTING



C) 取付ける場所が傾斜しているとき
ANTENNA BASE MOUNTING ON INCLINATION SURFACE

オプションのアンテナベースを使う。
USE OPTIONAL ANTENNA BASE.

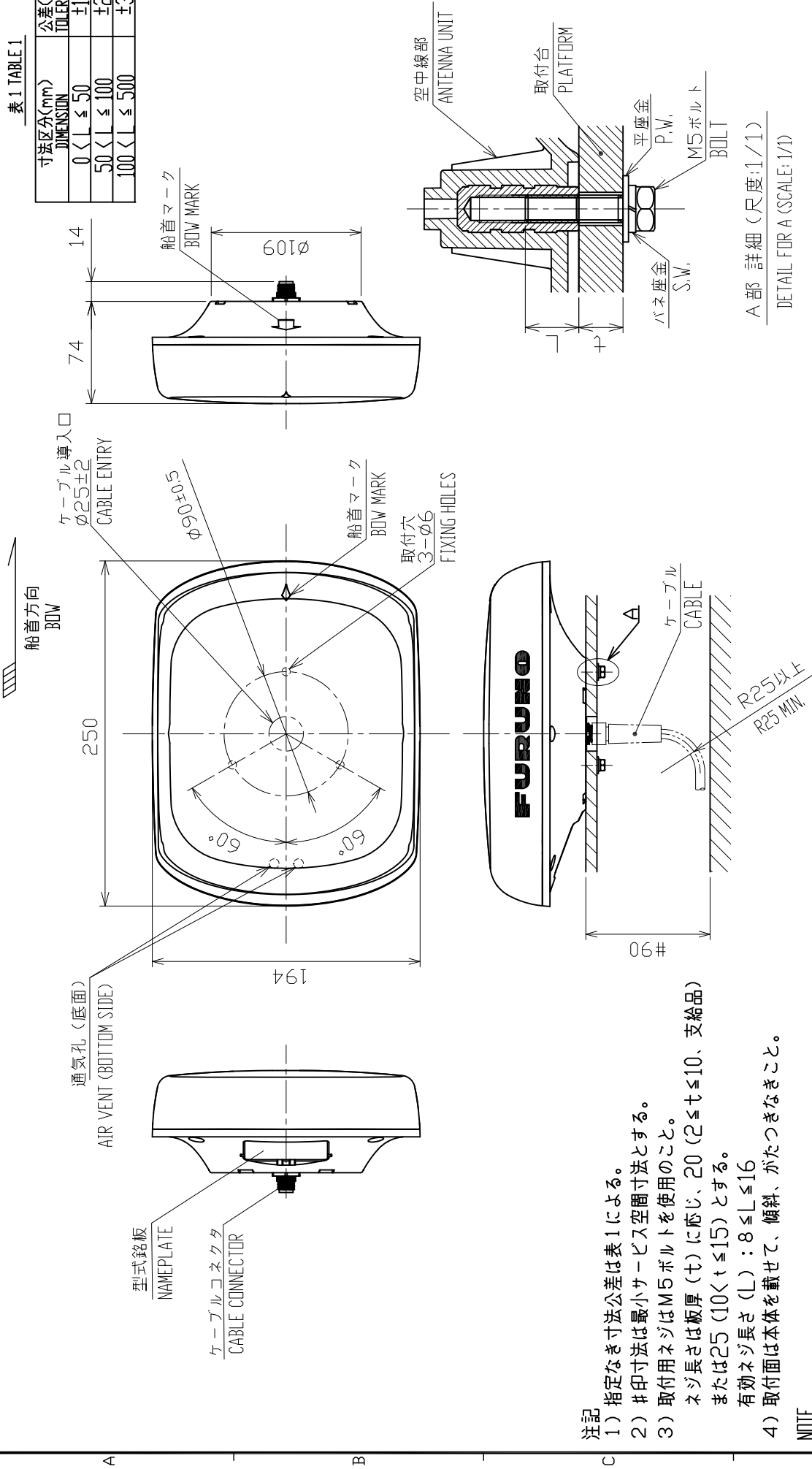
傾斜 INCLINATION	-5° - 33°
装備方法 MOUNTING METHOD	アンテナベース MOUNTING DIMENSIONS OF ANTENNA BASE.
名称 NAME	直型アンテナベース RIGHT ANGLE ANTENNA BASE
型式 TYPE	No.13-QA330
コード番号 CODE No.	000-803-C39



DRAWN	27/Sep/2019 T.YAMASAKI	TITLE	SCX-20/21
CHECKED	27/Sep/2019 H.MAKI	名称	サテライトコンパス
APPROVED	27/Sep/2019 H.MAKI	装備要領図	
SCALE	1/25	NAME	SATELLITE COMPASS
DWG. No.	C7286-Y01-A	REF. No.	INSTALLATION PROCEDURE

表 1 TABLE 1

寸法区分(mm) DIMENSION	公差(mm) TOLERANCE
0 < L ≤ 50	±1.5
50 < L ≤ 100	±2.5
100 < L ≤ 500	±3



A部 詳細 (尺度:1/1)
DETAIL FOR A (SCALE:1/1)

DRAWN	18/Jul/2019	A. MURAD	TITLE	SCX-20
CHECKED	18/Jul/2019	T. YAMASAKI	名称	サテライトコンパス
APPROVED	31/Jul/2019	H. MAKI	外寸図	
SCALE	1/4	質量はケーブル/ボルト/平金を含む MASS DOES NOT INCLUDE CABLE/BOLTS/WASHERS	NAME	SATELLITE COMPASS
DWG. No.	C7286-G01-B	REF. No.	20-040-100G-1	OUTLINE DRAWING

注記

- 1) 指定なき寸法公差は表1による。
- 2) #印寸法は最小サービスイタ寸法とする。
- 3) 取付用ネジはM5ボルトを使用のこと。
ネジ長さは板厚(七)に依り、20 (2 ≤ t ≤ 10、支給品) または25 (10 < t ≤ 15) とする。
有効ネジ長さ (L) : 8 ≤ L ≤ 16
- 4) 取付面は本体を載せて、傾斜、がたつきなきこと。

NOTE

1. TABLE 1 INDICATES TOLERANCE OF DIMENSIONS WHICH IS NOT SPECIFIED.
2. # MINIMUM SERVICE CLEARANCE
3. USE M5 BOLTS FOR FIXING THE UNIT.
SCREW LENGTH SHOULD BE 20 (2 ≤ t ≤ 10) OR 25 (10 < t ≤ 15), t: THICKNESS OF PLATFORM.
EFFECTIVE THREAD LENGTH (L): 8 ≤ L ≤ 16.
4. MOUNTING AREA MUST BE LEVEL AND STABLE.

表1 TABLE 1

寸法区分 (mm) DIMENSION	公差 (mm) TOLERANCE
L ≤ 50	±1.5
50 < L ≤ 100	±2.5
100 < L ≤ 500	±3

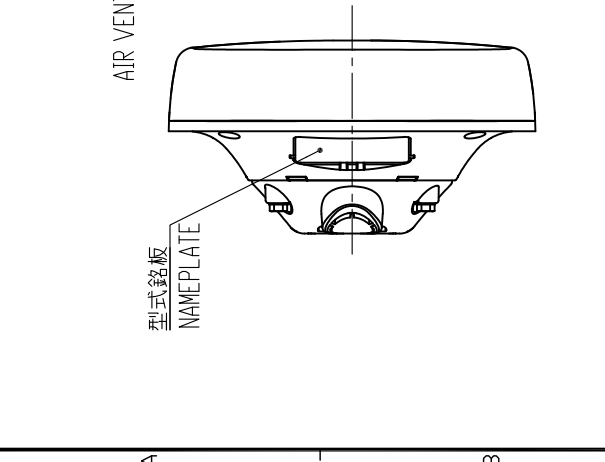
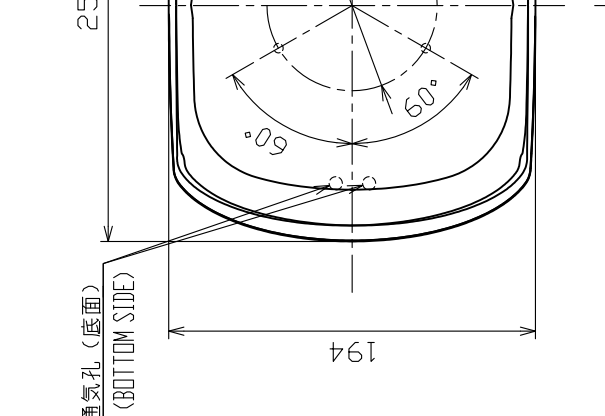
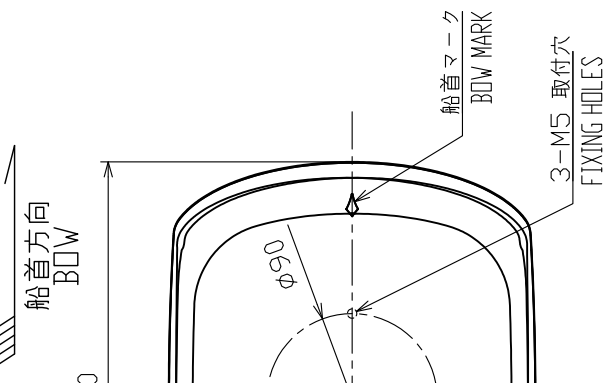
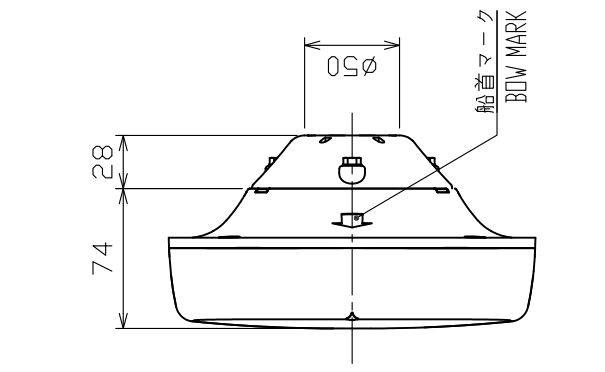


表2 TABLE 2

酒芯ポール径 POLE DIAMETER	型式 MODEL
φ25-35 (20A-25A)	CP20-4603 (標準) STANDARD
φ35-50 (32A-40A)	DP20-52 (オプション) OPTION

注記

- 1) 指定外の寸法公差は表1による。
- 2) 適応するホースクランプは表2による。

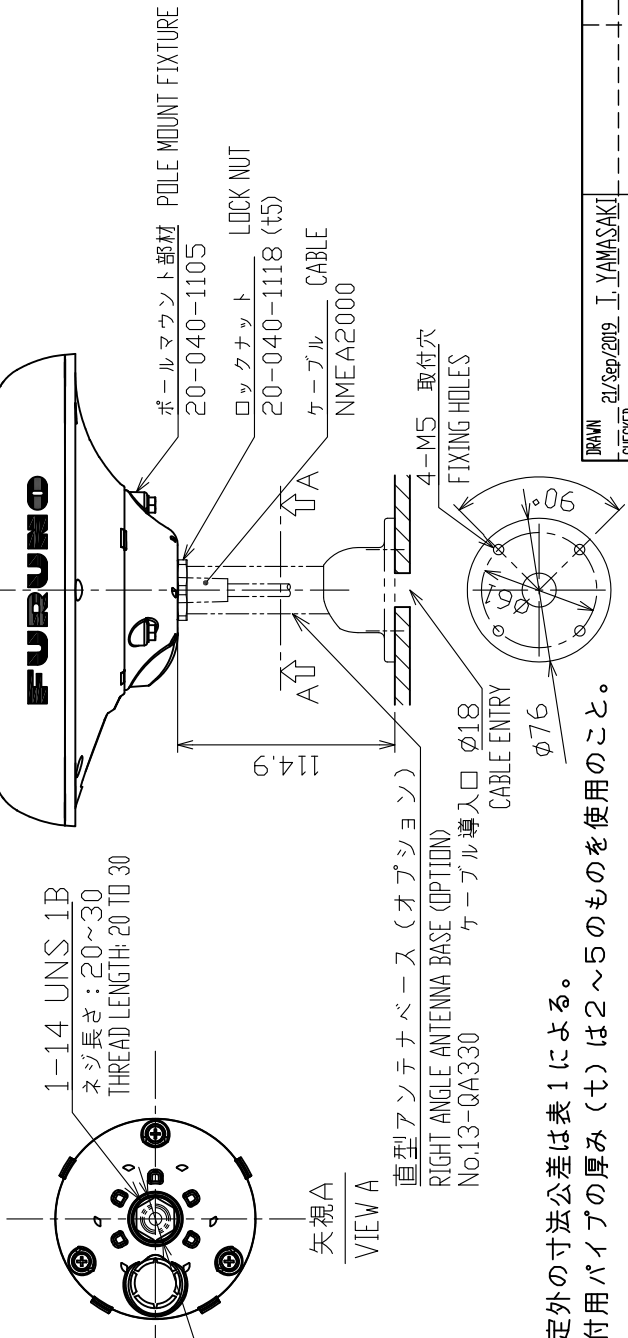
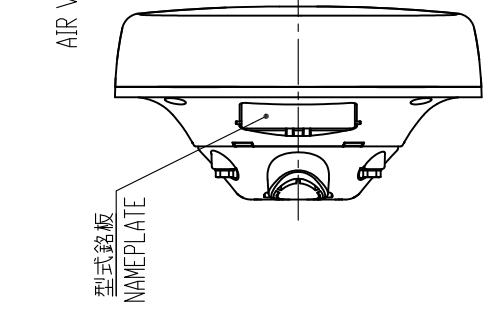
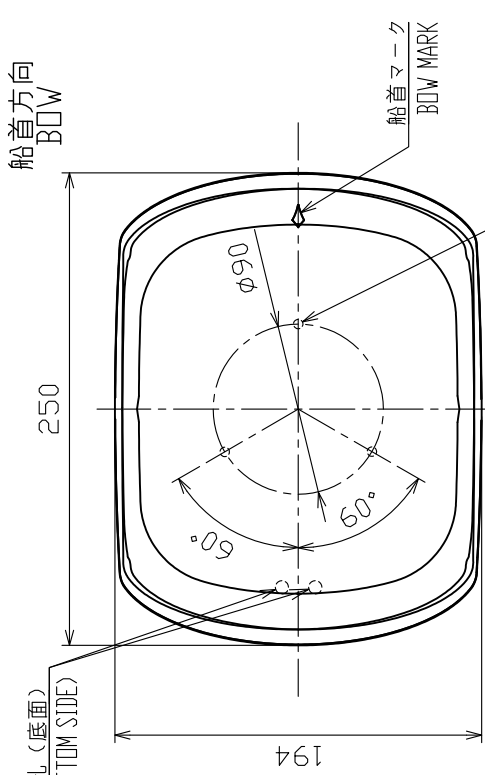
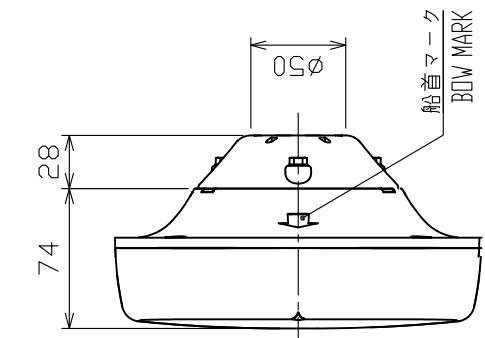
NOTE

1. TABLE 1 INDICATES TOLERANCE OF DIMENSIONS WHICH IS NOT SPECIFIED.
2. TABLE 2 INDICATES HOSE CLAMP SIZE.

DRAWN	21/Sep/2019	J. YAMASAKI	TITLE	SCX-20
CHECKED	21/Sep/2019	H. MAKI	名称	サテライトコンパス (ポールマウント)
APPROVED	24/Sep/2019	H. MAKI	外寸図	
SCALE	1/4	質量はケーブル・工材を含まず。 MASS DOES NOT INCLUDE CABLE/INST. MATERIAL.	NAME	SATELLITE COMPASS (POLE MOUNT)
DWG. No.	C7286-G02-C	REF. No.	20-040-102G-2	OUTLINE DRAWING

表1 TABLE 1

寸法区分 (mm) DIMENSION	公差 (mm) TOLERANCE
L ≤ 50	±1.5
50 < L ≤ 100	±2.5
100 < L ≤ 500	±3



1-14 UNS 1B
ネジ長さ: 20~30
THREAD LENGTH: 20 TO 30

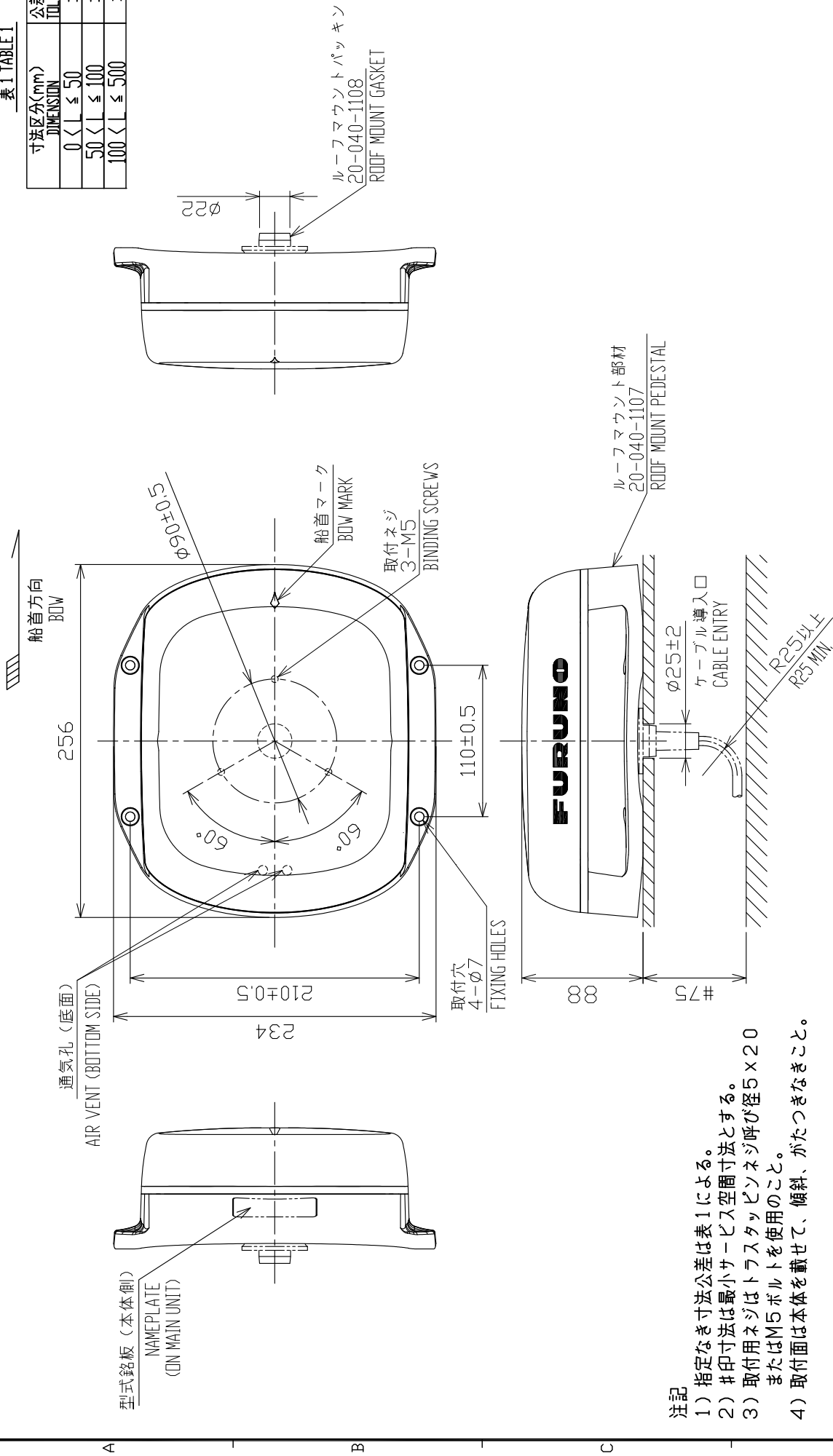
直型アンテナベース (オプション)
RIGHT ANGLE ANTENNA BASE (OPTION)
No.13-QA330
ケーブル導入口 φ18
CABLE ENTRY
φ76

- 注 記
- 1) 指定外の寸法公差は表1による。
 - 2) 取付用パイプの厚み (t) は2~5のものを使用のこと。
- NOTE
1. TABLE 1 INDICATES TOLERANCE OF DIMENSIONS WHICH IS NOT SPECIFIED.
 2. THICKNESS OF FIXING PIPE (t): 2 TO 5 mm.

DRAWN	21/Sep/2019	I. YAMASAKI	TITLE	SCX-20
CHECKED	21/Sep/2019	H. MAKI	名称	サテライトコンパス (直型アンテナベース)
APPROVED	24/Sep/2019	H. MAKI	外寸図	
SCALE	1/4	質量 1.2 kg 質量はケーブル・工材を含まず。 MASS DOES NOT INCLUDE CABLE/INST. MATERIAL.	NAME	SATELLITE COMPASS (RIGHT ANGLE ANTENNA BASE)
DWG. No.	C7286-G04-A	REF. No.	20-040-105G-0	OUTLINE DRAWING

表 1 TABLE 1

寸法区分(mm) DIMENSION	公差(mm) TOLERANCE
0 < L ≤ 50	±1.5
50 < L ≤ 100	±2.5
100 < L ≤ 500	±3



DRAWN	12/Nov/2019 I.YAMASAKI	TITLE	SCX-20
CHECKED	12/Nov/2019 H.MAKI	名称	サテライトコンパス (ルーフマウント)
APPROVED	12/Nov/2019 H.MAKI	外寸図	
SCALE	1/4 MASS 1.4	NAME	SATELLITE COMPASS (ROOF MOUNT)
DWG.No.	C7286-G03-C	REF.No.	20-040-104G-2

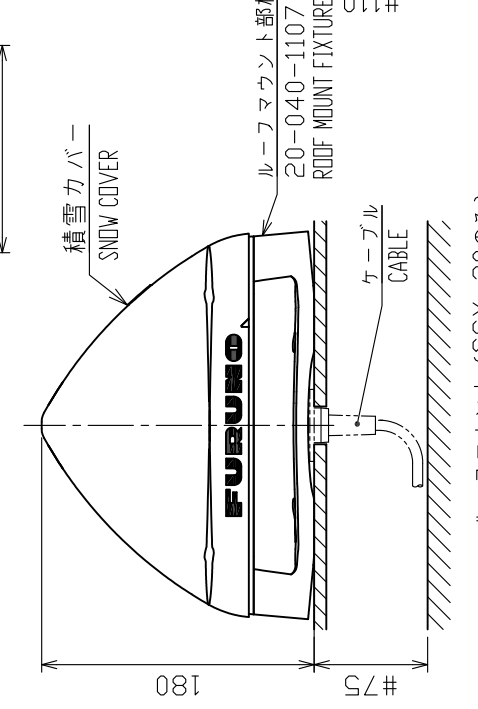
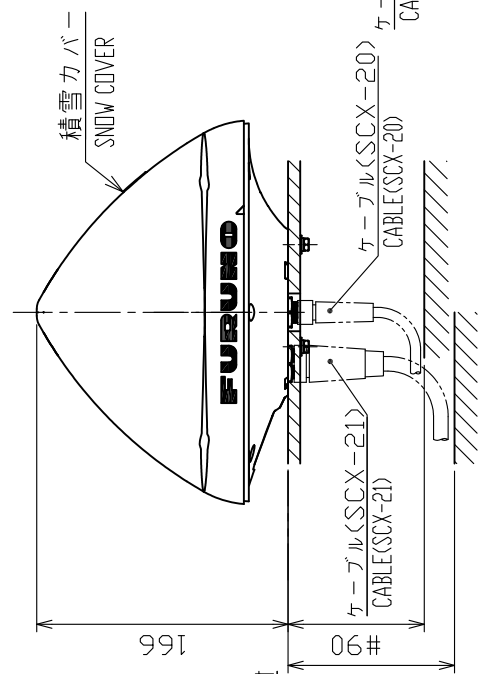
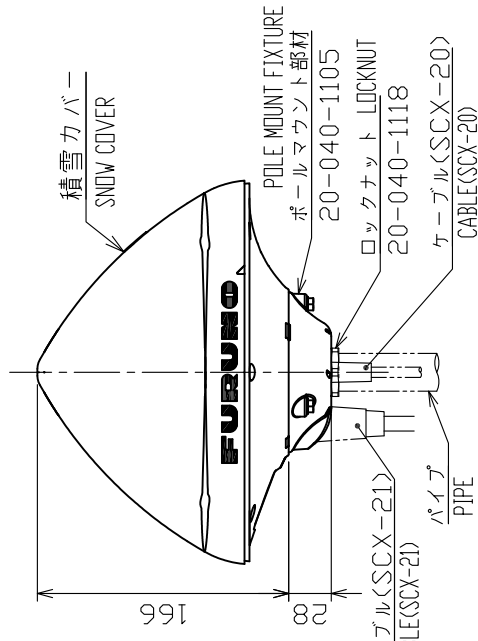
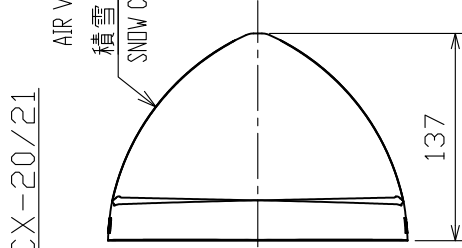
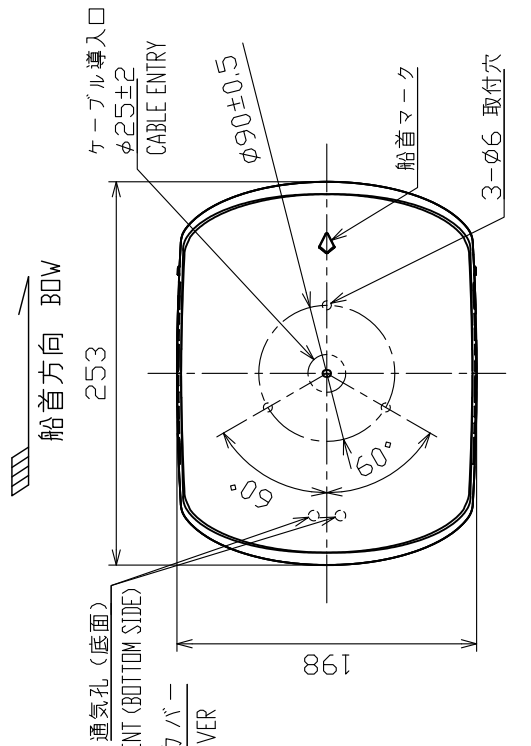
NOTE

- TABLE 1 INDICATES TOLERANCE OF DIMENSIONS WHICH IS NOT SPECIFIED.
- #: MINIMUM SERVICE CLEARANCE.
- USE TAPPING SCREWS $\phi 5 \times 20$ OR M5 BOLTS FOR FIXING THE UNIT.
- MOUNTING AREA MUST BE LEVEL AND STABLE.

- 注記
- 指定なき寸法公差は表 1 による。
 - # 印寸法は最小サービス空間寸法とする。
 - 取付用ネジはトラスタップピンネジ呼び径 5×20 または M5 ボルトを使用のこと。
または M5 ボルトを載せて、傾斜、がたつきなきこと。
 - 取付面は本体を載せて、傾斜、がたつきなきこと。

表1 TABLE 1

寸法区分 (mm) DIMENSION	公差 (mm) TOLERANCE
L ≤ 50	±1.5
50 < L ≤ 100	±2.5
100 < L ≤ 500	±3



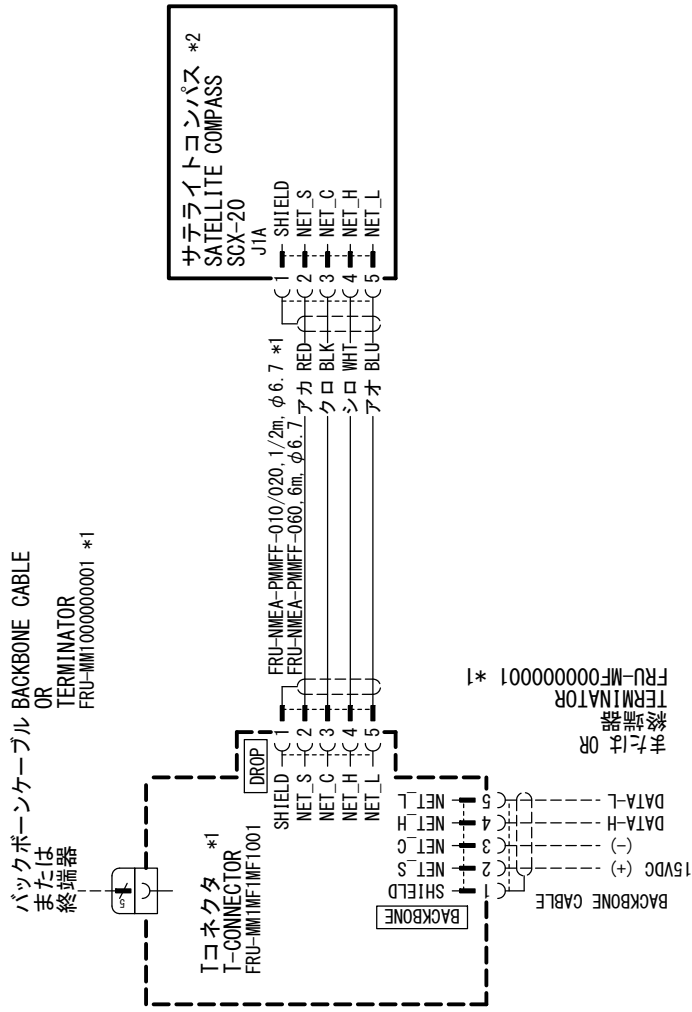
注記

- 1) 指定外の寸法公差は表1による。
- 2) #印寸法は最小サービス空間寸法とする。

NOTE

1. TABLE 1 INDICATES TOLERANCE OF DIMENSIONS WHICH IS NOT SPECIFIED.
2. #: MINIMUM SERVICE CLEARANCE.

DRAWN	26/Nov/2019	J. YAMASAKI	TITLE	SCX-20/21
CHECKED	26/Nov/2019	H. MAKI	名称	積雪カバー
APPROVED	27/Nov/2019	H. MAKI	装備要領	
SCALE	1/5	1/5	NAME	SNOW COVER
DWG. No.	C7286-Y02-A	REF. No.	20-040-110G-1	INSTALLATION INSTRUCTION



注記

- * 1) オプション。
- * 2) データ表示には、表示器が必要。

NOTE

- *1: OPTION.
- *2: CONNECTION WITH A DISPLAY UNIT IS REQUIRED TO DISPLAY THE DATA.

DRAWN	24/June/2019	R. FUJIYAMA	TITLE	SCX-20
CHECKED	24/June/2019	T. YAMASAKI	名称	サテライトコンパス
APPROVED	24/June/2019	H. MAKI		相互結線図
SCALE	1/1000	kg	NAME	SATELLITE COMPASS
DWG. No.	C7286-C01-B	REF. No.	20-040-5001-0	INTERCONNECTION DIAGRAM

Declaration of Conformity

[SCX-20]

- Bulgarian (BG)** С настоящото Furuno Electric Co., Ltd. декларира, че гореспоменат тип радиосъоръжение е в съответствие с Директива 2014/53/ЕС, СИ 2017/1206. Цялостният текст на ЕС/УК декларацията за съответствие може да се намери на следния интернет адрес:
- Spanish (ES)** Por la presente, Furuno Electric Co., Ltd. declara que el tipo de equipo radioeléctrico arriba mencionado es conforme con la Directiva 2014/53/UE, SI 2017/1206. El texto completo de la declaración de conformidad de la EU/UK está disponible en la siguiente dirección Internet:
- Czech (CS)** Tímto Furuno Electric Co., Ltd. prohlašuje, že výše zmíněné typ rádiového zařízení je v souladu se směrnici 2014/53/EU, SI 2017/1206. Úplné znění EU/SK prohlášení o shodě je k dispozici na této internetové adrese:
- Danish (DA)** Hermed erklærer Furuno Electric Co., Ltd., at ovennævnte radioudstyr er i overensstemmelse med direktiv 2014/53/EU, SI 2017/1206. EU/UK-overensstemmelseserklæringens fulde tekst kan findes på følgende internetadresse:
- German (DE)** Hiermit erklärt die Furuno Electric Co., Ltd., dass der oben genannte Funkanlagentyp der Richtlinie 2014/53/EU, SI 2017/1206 entspricht. Der vollständige Text der EU/UK-Konformitätserklärung ist unter der folgenden Internetadresse verfügbar:
- Estonian (ET)** Käesolevaga deklareerib Furuno Electric Co., Ltd., et ülalmainitud raadioseadme tüüp vastab direktiivi 2014/53/EL, SI 2017/1206 nõuetele. EL/GB vastavusdeklaratsiooni täielik tekst on kättesaadav järgmisel internetiaadressil:
- Greek (EL)** Με την παρούσα η Furuno Electric Co., Ltd., δηλώνει ότι ο προαναφερθέντας ραδιοεξοπλισμός πληροί την οδηγία 2014/53/ΕΕ, SI 2017/1206. Το πλήρες κείμενο της δήλωσης συμμόρφωσης ΕΕ/UK διατίθεται στην ακόλουθη ιστοσελίδα στο διαδίκτυο:
- English (EN)** Hereby, Furuno Electric Co., Ltd. declares that the above-mentioned radio equipment type is in compliance with Directive 2014/53/EU, SI 2017/1206. The full text of the EU/UK declaration of conformity is available at the following internet address:
- French (FR)** Le soussigné, Furuno Electric Co., Ltd., déclare que l'équipement radioélectrique du type mentionné ci-dessus est conforme à la directive 2014/53/UE, SI 2017/1206. Le texte complet de la déclaration UE/RU de conformité est disponible à l'adresse internet suivante:
- Croatian (HR)** Furuno Electric Co., Ltd. ovime izjavljuje da je gore rečeno radijska oprema tipa u skladu s Direktivom 2014/53/EU, SI 2017/1206. Cjeloviti tekst EU/UK izjave o sukladnosti dostupan je na sljedećoj internetskoj adresi:
- Italian (IT)** Il fabbricante, Furuno Electric Co., Ltd., dichiara che il tipo di apparecchiatura radio menzionato sopra è conforme alla direttiva 2014/53/UE, SI 2017/1206. Il testo completo della dichiarazione di conformità UE/RU è disponibile al seguente indirizzo Internet:
- Latvian (LV)** Ar šo Furuno Electric Co., Ltd. deklarē, ka augstāk minēts radioiekārta atbilst Direktīvai 2014/53/ES, SI 2017/1206. Pilns ES/AK atbilstības deklarācijas teksts ir pieejams šādā interneta vietnē:

- Lithuanian (LT) Aš, Furuno Electric Co., Ltd., patvirtinu, kad pirmiau minėta radijo įrenginių tipas atitinka Direktyvą 2014/53/ES, SI 2017/1206.
Visas ES/JK atitikties deklaracijos tekstas prieinamas šiuo interneto adresu:
- Hungarian (HU) Furuno Electric Co., Ltd. igazolja, hogy fent említett típusú rádióberendezés megfelel a 2014/53/EU, SI 2017/1206 irányelvnek.
Az EU/EK-megfelelőségi nyilatkozat teljes szövege elérhető a következő internetes címen:
- Maltese (MT) B'dan, Furuno Electric Co., Ltd., niddikjara li msemmija hawn fuq-tip ta' taghmir tar-radju huwa konformi mad-Direttiva 2014/53/UE, SI 2017/1206.
It-test kollu tad-dikjarazzjoni ta' konformità tal-UE/RU huwa disponibbli f'dan l-indirizz tal-Internet li ġej:
- Dutch (NL) Hierbij verklaar ik, Furuno Electric Co., Ltd., dat het hierboven genoemde type radioapparaat conform is met Richtlijn 2014/53/EU, SI 2017/1206.
De volledige tekst van de EU/VK-conformiteitsverklaring kan worden geraadpleegd op het volgende internetadres:
- Polish (PL) Furuno Electric Co., Ltd. niniejszym oświadcza, że wyżej wymieniony typ urządzenia radiowego jest zgodny z dyrektywą 2014/53/UE, SI 2017/1206.
Pełny tekst deklaracji zgodności UE/UK jest dostępny pod następującym adresem internetowym:
- Portuguese (PT) O(a) abaixo assinado(a) Furuno Electric Co., Ltd. declara que o mencionado acima tipo de equipamento de rádio está em conformidade com a Diretiva 2014/53/UE, SI 2017/1206.
O texto integral da declaração de conformidade da EU/UK está disponível no seguinte endereço de Internet:
- Romanian (RO) Prin prezenta, Furuno Electric Co., Ltd. declară că echipamentul radio menționat mai sus este în conformitate cu Directiva 2014/53/UE, SI 2017/1206.
Textul integral al declarației de conformitate UE/RU este disponibil la următoarea adresă internet:
- Slovak (SK) Furuno Electric Co., Ltd. týmto vyhlasuje, že vyššie spomínané rádiové zariadenie typu je v súlade so smernicou 2014/53/EÚ, SI 2017/1206.
Úplné EÚ/SK vyhlásenie o zhode je k dispozícii na tejto internetovej adrese:
- Slovenian (SL) Furuno Electric Co., Ltd. potrjuje, da je zgoraj omenjeno tip radijske opreme skladen z Direktivo 2014/53/EU, SI 2017/1206.
Celotno besedilo izjave EU/ZK o skladnosti je na voljo na naslednjem spletnem naslovu:
- Finnish (FI) Furuno Electric Co., Ltd. vakuuttaa, että yllä mainittu radiolaitetyyppi on direktiivin 2014/53/EU, SI 2017/1206 mukainen.
EU/UK-vaatimustenmukaisuusvakuutuksen täysimittainen teksti on saatavilla seuraavassa internetosoitteessa:
- Swedish (SV) Härmed försäkrar Furuno Electric Co., Ltd. att ovan nämnda typ av radioutrustning överensstämmer med direktiv 2014/53/EU, SI 2017/1206.
Den fullständiga texten till EU/Storbritannien-försäkran om överensstämmelse finns på följande webbadress:

Online Resource

http://www.furuno.com/en/support/red_doc

Notice for radiated immunity

The test for the radiated immunity is performed up to 2.7 GHz only without the special condition of spot frequency being applied. There is a chance that this equipment may interfere with allocated services in the frequency range of 2.7 GHz to 6 GHz, particularly in harbors, rivers, lake banks, etc.