

FURUNO

OPERATOR'S MANUAL

REMOTE DISPLAY

Model **RD-20**

IMPORTANT NOTICES

General

- This manual has been authored with simplified grammar, to meet the needs of international users.
- The operator of this equipment must read and follow the descriptions in this manual. Wrong operation or maintenance can void the warranty or cause injury.
- Do not copy any part of this manual without written permission from FURUNO.
- If this manual is lost or worn, contact your dealer about replacement.
- The contents of this manual and equipment specifications can change without notice.
- The example screens (or illustrations) shown in this manual can be different from the screens you see on your display. The screens you see depend on your system configuration and equipment settings.
- Save this manual for future reference.
- Any modification of the equipment (including software) by persons not authorized by FURUNO will void the warranty.
- The following concern acts as our importer in Europe, as defined in DECISION No 768/2008/EC.
 - Name: FURUNO EUROPE B.V.
 - Address: Ridderhaven 19B, 2984 BT Ridderkerk, The Netherlands
- The following concern acts as our importer in UK, as defined in SI 2016/1025 as amended SI 2019/470.
 - Name: FURUNO (UK) LTD.
 - Address: West Building Penner Road Havant Hampshire PO9 1QY, U.K.
- All brand, product names, trademarks, registered trademarks, and service marks belong to their respective holders.

How to discard this product

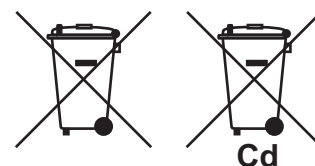
Discard this product according to local regulations for the disposal of industrial waste. For disposal in the USA, see the homepage of the Electronics Industries Alliance (<http://www.eiae.org/>) for the correct method of disposal.

How to discard a used battery

Some FURUNO products have a battery(ies). To see if your product has a battery, see the chapter on Maintenance. If a battery is used, tape the + and - terminals of the battery before disposal to prevent fire, heat generation caused by short circuit.

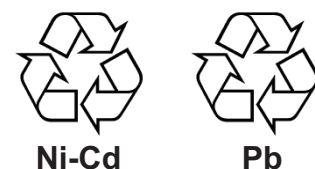
In the European Union

The crossed-out trash can symbol indicates that all types of batteries must not be discarded in standard trash, or at a trash site. Take the used batteries to a battery collection site according to your national legislation and the Batteries Directive 2006/66/EU.



In the USA

The Mobius loop symbol (three chasing arrows) indicates that Ni-Cd and lead-acid rechargeable batteries must be recycled. Take the used batteries to a battery collection site according to local laws.



In the other countries

There are no international standards for the battery recycle symbol. The number of symbols can increase when the other countries make their own recycle symbols in the future.



SAFETY INSTRUCTIONS



WARNING

Indicates a condition that can cause death or serious injury if not avoided.



CAUTION

Indicates a condition that can cause minor or moderate injury if not avoided.

Safety Instructions for the Operator



WARNING



Do not disassemble or modify the equipment.

Fire, electrical shock or serious injury can occur.



Turn off the power immediately if water leaks into the equipment or smoke or fire is coming from the equipment.

Failure to turn off the equipment can cause fire or electrical shock. Contact a FURUNO agent for service.



Keep heater away from the equipment.

Heat can change the equipment shape and melt the power cord, which can cause fire or electrical shock.



CAUTION



Do not use the equipment for other than its intended purpose.

Improper use of the equipment can affect performance and void the warranty.

Safety Instructions for the Installer



WARNING



Turn off the power at the switchboard before you install the equipment.

Fire or electrical shock can occur if the power is left on.



Be sure that the power supply is compatible with the voltage rating of the equipment.

Connection of an incorrect power supply can cause fire or equipment damage. The voltage rating of the equipment appears on the label above the power connector.



CAUTION



Ground the equipment to prevent mutual interference.



Observe the following compass safe distances to prevent interference to a magnetic compass:

Model	Standard compass	Steering compass
RD-20	1.25 m	0.80 m
RD-501	1.30 m	0.85 m
RD-502	1.00 m	0.65 m

TABLE OF CONTENTS

- FOREWORD..... iv**
- SYSTEM CONFIGURATION v**

- 1. OPERATION 1**
 - 1.1 Controls 1
 - 1.2 How to Turn the Power On and Off 3
 - 1.3 How to Adjust Display Brilliance 3
 - 1.4 How to Select a Screen 4
 - 1.5 How to Select the Units of Measurement 8
 - 1.6 How to Select the Display Mode..... 8
 - 1.7 How to Set the User Menu 10

- 2. MAINTENANCE, TROUBLESHOOTING 12**
 - 2.1 Maintenance 12
 - 2.2 Life of the Parts 13
 - 2.3 Error Screens 13
 - 2.4 Diagnostic Test..... 13
 - 2.5 Simulation Mode..... 15
 - 2.6 Parts Location and Parts List..... 16

- 3. INSTALLATION 18**
 - 3.1 Equipment List..... 18
 - 3.2 Installation of Remote Display 18
 - 3.3 Installation of Remote Controller and Dimmer Controller 20
 - 3.4 Wiring 21
 - 3.5 Adjustments..... 26
 - 3.6 JIS Cable Guide 29

- APPENDIX 1 DIGITAL INTERFACE AP-1**
- SPECIFICATIONS SP-1**
- PACKING LISTS A-1**
- OUTLINE DRAWINGS D-1**
- INTERCONNECTION DIAGRAM S-1**

FOREWORD

A Word to the Owner of the RD-20 Remote Display

Congratulations on your choice of the FURUNO RD-20 Remote Display. We are confident you will see why the FURUNO name has become synonymous with quality and reliability.

Since 1948, FURUNO Electric Company has enjoyed an enviable reputation for innovative and dependable marine electronics equipment. This dedication to excellence is furthered by our extensive global network of agents and dealers.

Your equipment is designed and constructed to meet the rigorous demands of the marine environment. However, no machine can perform its intended function unless properly installed and maintained. Please carefully read and follow the operation and maintenance procedures set forth in this manual.

We would appreciate feedback from you, the end-user, about whether we are achieving our purposes.

Thank you for considering and purchasing FURUNO equipment.

Features

The main features of the RD-20 are as shown below.

- Compact remote display features easy-to-view display with red LED.
- The navigation data in digital format with connection of various sensors.
- The size conforms to DIN (Deutsche Industrie Normen) standards, so there is uniformity among the remote displays of other makers.
- Daisy chain connection is available for connecting a total of 10 RD-20s.
- When you connect multiple RD-20s, their display brilliances can be adjusted together.

Program Number

Program	Number	Initial Version
RD-20		
Starter	2651003-01.xx	Aug. 2009
Booter	2651004-01.xx	Aug. 2009
Main	2651005-01.xx	Aug. 2009
RD-501, RD-502		
2651009-01.xx		Aug. 2009

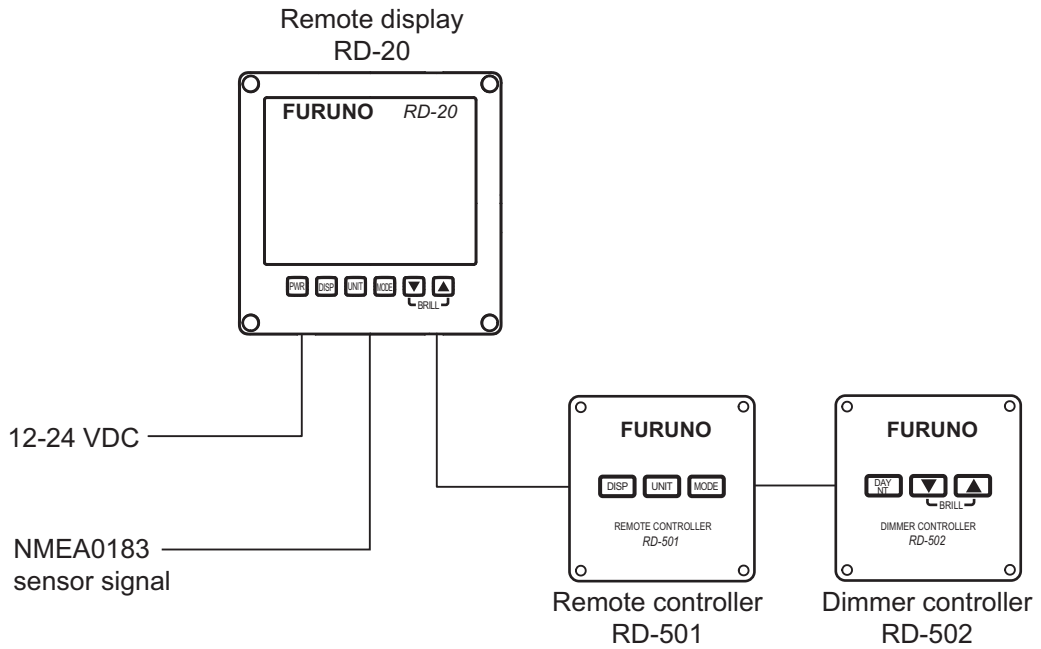
xx: minor change

CE declaration

With regards to CE declarations, please refer to our website (www.furuno.com), for further information on RoHS conformity declarations.

SYSTEM CONFIGURATION

Single remote display

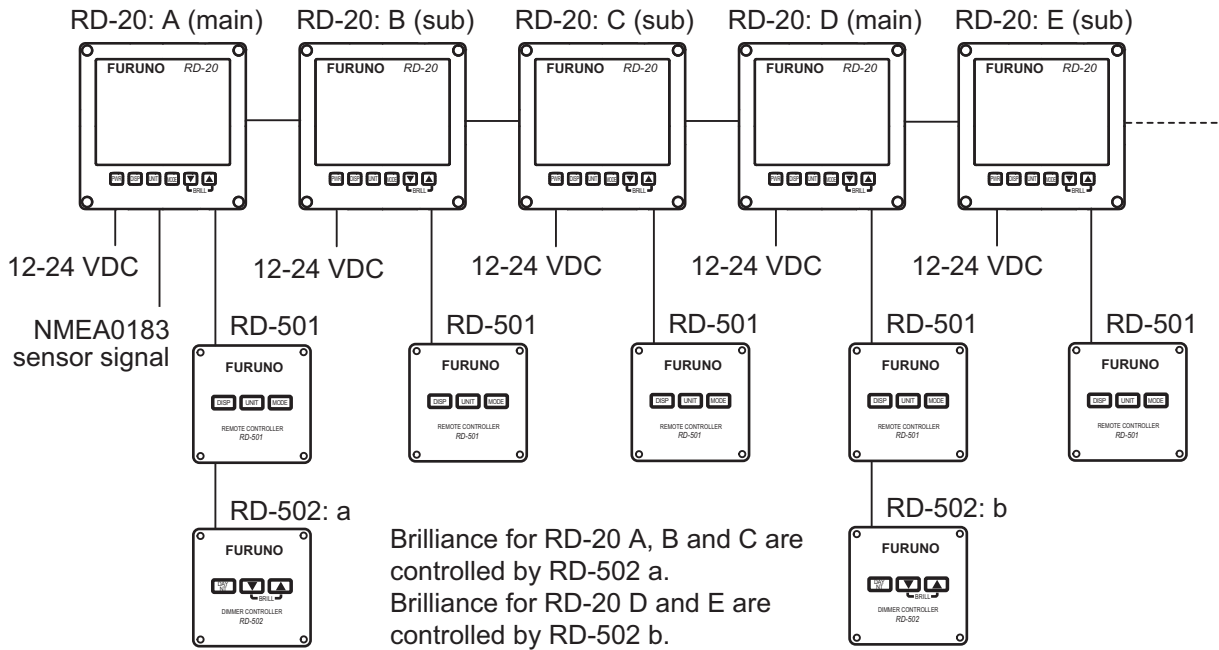


Environmental category:

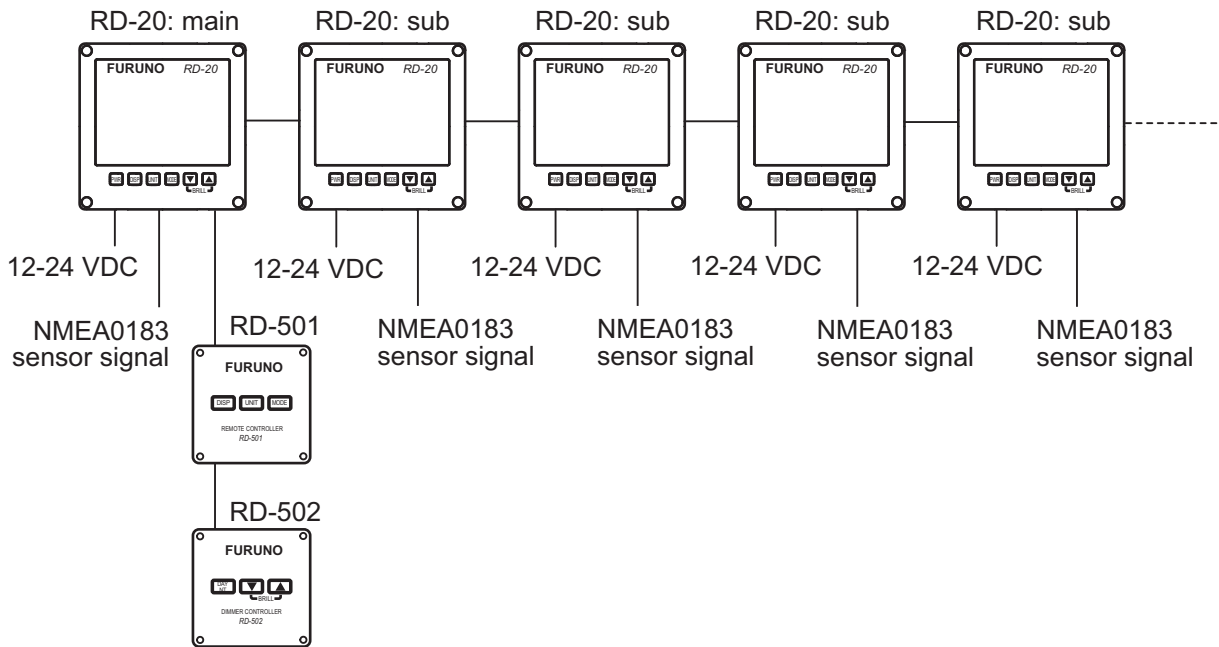
Protected from weather: RD-20, RD-501, RD-502

Multiple remote displays (daisy chain connection)

Pattern 1: Sensor signal and dimmer controller are commonly used. A total of 10 RD-20s can be connected.



Pattern 2: Dimmer controller is commonly used. A total of 10 RD-20s can be connected.



Note: When turning off the power for a RD-20 in the daisy chain connection, the RD-20s which are connected after that RD-20 can receive neither the sensor signal nor the brilliance signal.

1. OPERATION

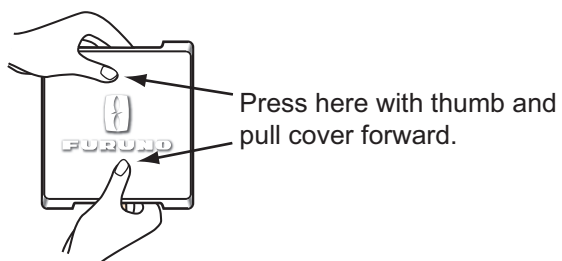
1.1 Controls

Remote display RD-20



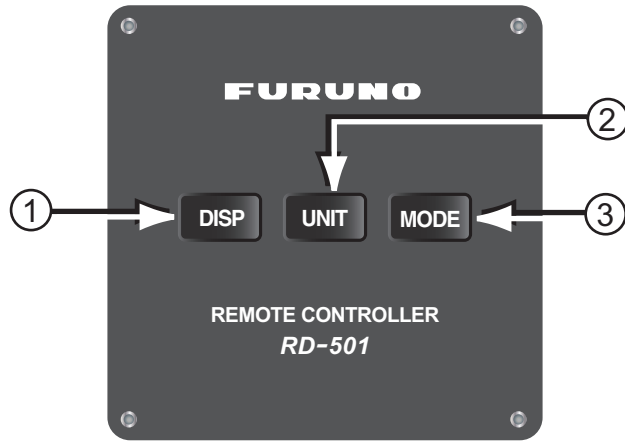
No.	Control	Description
1	PWR	Turn on/off the power.
2	DISP	Switch the screen.
3	UNIT	Select the units of measurement for the current screen.
4	MODE	Select the mode for the current screen.
5	▼, ▲	▼: Decrease the display brilliance. ▲: Increase the display brilliance. (See section 1.3 for details.)

How to remove the hard cover



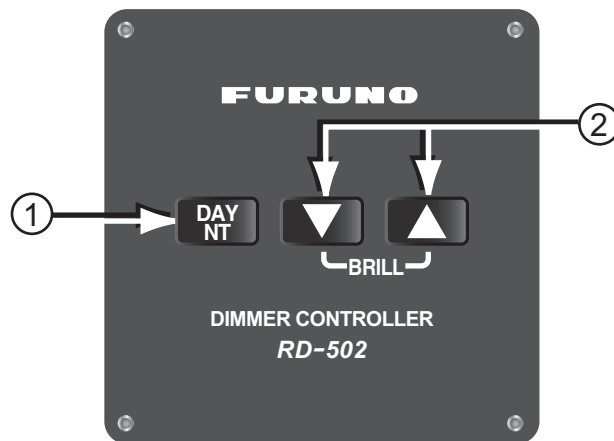
1. OPERATION

Remote controller RD-501



No.	Control	Description
1	DISP	Switch the screen.
2	UNIT	Select the units of measurement for the current screen.
3	MODE	Select the mode for the current screen.

Dimmer controller RD-502

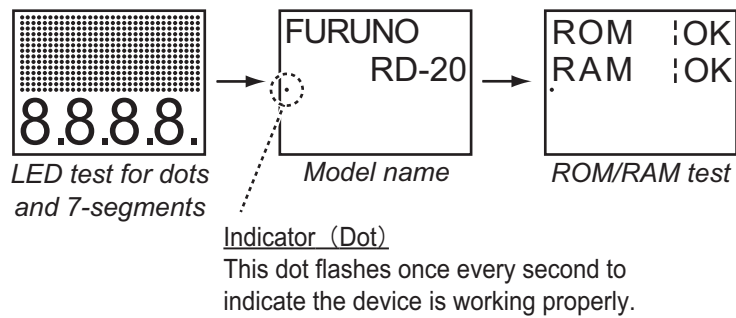


No.	Control	Description
1	DAY/NT	Switch the display brilliance between daytime use and nighttime use.
2	▼, ▲	▼: Decrease the display brilliance. ▲: Increase the display brilliance.

1.2 How to Turn the Power On and Off

Press the **PWR** key to turn on the power.

The start-up screen appears, showing all LED dots and 7-segments. Then, the model name, and then the results of the ROM and RAM check, OK or NG (No Good), are shown. After the self-tests are completed, the last-used display appears.



Note: If all dots and 7-segments do not light, or if NG appears as the ROM and RAM check result, contact your dealer.

To turn off the power, press the **PWR** key.

1.3 How to Adjust Display Brilliance

To adjust the display brilliance, press ▼, ▲, or **DAY/NT** key. The setting range is 0 to 9. "0" is off and "9" is the brightest.

Operation with main RD-20

The main RD-20 simultaneously controls the display brilliance of the main RD-20 and the sub RD-20s.

- Controls with ▼ key: Decrease the display brilliance.
- Controls with ▲ key: Increase the display brilliance.

Operation with sub RD-20

When you want to individually adjust the display brilliance for each sub RD-20, do as follows:

- Controls with ▼ key: Decrease the display brilliance. (The variation is smaller than that of the main RD-20 and RD-502 connected to the main RD-20.)
- Controls with ▲ key: Increase the display brilliance. (The variation is smaller than that of the main RD-20 and RD-502 connected to the main RD-20.)

Operation with RD-502

The RD-502 simultaneously controls the display brilliance of the main RD-20 and the sub RD-20s.

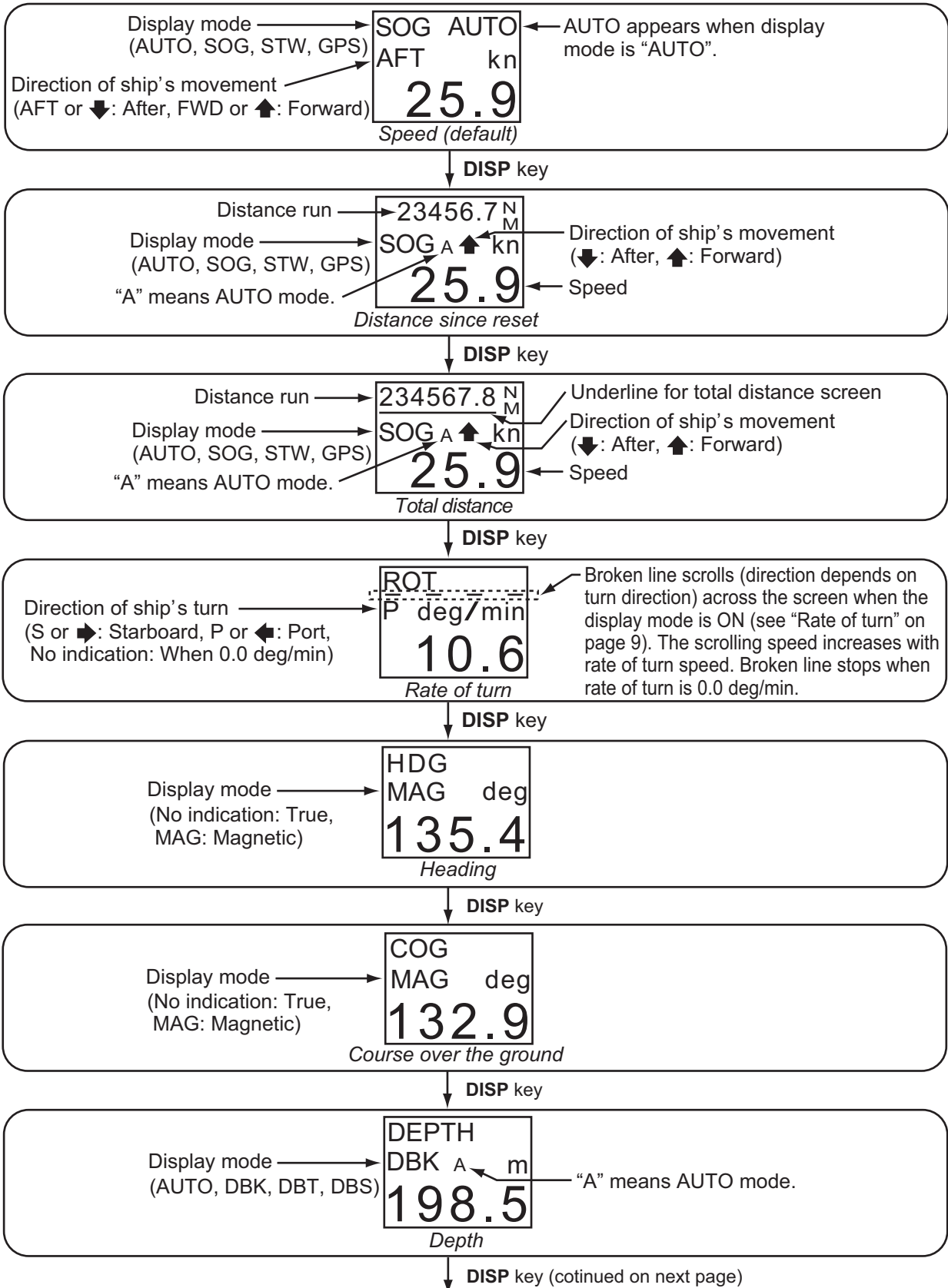
- Controls with ▼ key: Decrease the display brilliance.
- Controls with ▲ key: Increase the display brilliance.
- Controls with the **DAY/NT** key: The display brilliance changes as shown in the table below with every press of the key.

Current setting	Setting after key operation	Current setting	Setting after key operation	Current setting	Setting after key operation
0	0	4	8	8	4
1	5	5	9	9	5
2	6	6	2	—	
3	7	7	3	—	

1.4 How to Select a Screen

Screen

The screen for the RD-20 changes as follows with the **DISP** key. When you start the RD-20, the last-used screen appears. Availability of data depends on your system configuration.



(Continued from previous page)

Direction of ship's turn (STBD or ➡: Starboard side, PORT or ⬅: Port side, No indication: When 0.0 or 180.0 deg) →

RUDDER P	← Current rudder position (S: STBD (starboard), P : PORT, No indication: SINGLE)
STBD deg	
9.4	

Rudder angle

DISP key

Direction of ship's turn (STBD or ➡: Starboard side, PORT or ⬅: Port side, No indication: When 0.0 or 180.0 deg) →

ORDER P	← Current rudder position (S: STBD (starboard), P : PORT, No indication: SINGLE)
STBD deg	
9.4	

Rudder angle order

DISP key

Display mode (ENGINE or SHAFT) →

ENGINE 3	PITCH 2	← Number of engine, shaft or propeller (When 0 is selected, no indication.)
+ RPM	+ %	
150	36	

Direction of ship's movement (AH or +: Ahead, AS or -: Astern) →

Engine/Shaft revolution or Propeller pitch (Select in the user menu.)

DISP key

Display mode (T: Theoretical, R: Relative) →

WIND SPD	
T kn	
3.1	

Wind speed and direction

Theoretical: Theoretical or calculated wind. Wind direction relative to the ship's bow, wind speed as if the ship is stationary.
Relative: Relative or apparent wind. Wind direction relative to the ship's bow, wind speed relative to a moving vessel.

DISP key

Display mode (T: Theoretical, PORT: The wind blows from the port (relative), STBD: The wind blows from the starboard (relative), No indication: When 0.0 or 180.0 deg) →

WIND DIR	
T deg	
084.5	

Wind direction

DISP key

WATER TEMP °C
41.0

Water temperature

DISP key

Go to the Speed screen.

Note: Settings are saved six seconds after you change settings. If you turn off the power right after you change settings, the last settings are not saved.

1. OPERATION

List of terms

The following table shows the terms used in the RD-20.

Term	Meaning
%	Percent
°C	Degree(s) Celsius
°F	Degree(s) Fahrenheit
1AXIS	1-axis
7-SEG	7-Segment
38.4k	38.4Kbps
4.8k	4.8Kbps
A, AUTO	Automatic
AFT	After
AH	Ahead
ALL	All
ARROWS	Arrows
AS	Astern
AVE	Average
BACK	Back
BAUD-RATE	Baud rate
BOOTER	Booter
BRILL	Brilliance
CAL	Calibration
CH1	Serial Input port, "Channel 1" (RD1A, RD1B)
CH2	Serial Input/Output port, "Channel 2" (RD2A, RD2B, TD2A, TD2B)
ChkSUM	Check Sum
CLEAR	Clear
COG	Course Over the Ground
DATA	Data
DAY	Daytime
DBK	Depth Below Keel
DBS	Depth Below Surface
DBT	Depth Below Transducer
deg/min	degree/minute
DEPTH	Depth
DIMMER	Dimmer
DIR	Direction
DISP	Display
DOT	Dot-Matrix
ENGINE	Engine
ft	feet
FWD	Forward
GPS	Global Positioning System
HDG	Heading
KEY	Key
km/h	Kilometer/hour
kn	knot
LED	Light Emitting Diode
LOOP	Loop
MAG	Magnetic: The bearing measured with magnetic north as the reference direction.

Term	Meaning
MAIN	Main
MENU	Menu
mph	Miles per hour
m/s	Meter/second
NG	No Good
NM	Nautical Mile
No.	Number
NO	No
NT	Night
OFF	Off
OFFSET	Offset
OK	OK
ON	On
ORDER	Rudder Angle Order
OUT	Output
PITCH	Propeller Pitch
P, PORT	Port/Port Side
PWR	Power
R	Relative: Relative or apparent wind. The wind direction relative to the ship's bow and the wind speed relative to the moving vessel.
RAM	Random Access Memory
RANK	Rank of Dot-Matrix LED
ROM	Read Only Memory
ROT	Rate of Turn
RPM	Revolutions Per Minute
RUDDER	Rudder/Rudder Angle
SAVE	Save
SELECT	Select
SET	Set
SHAFT	Shaft
SIM	Simulation
SINGLE	Single
S-OUT	Sensor Out
SPEED, SPD	Speed
SOG	Speed Over the Ground
STARTER	Starter
STW	Speed Through the Water
S, STBD	Starboard/Starboard Side
SUB	Sub
SYS	System
T	Theoretical: Theoretical or calculated wind. The wind direction relative to the ship's bow and the wind speed as if the ship is stationary.
TEMP	Temperature
TEST	Test
TEXT	Text
TIME	Time
UNIT	Unit
VECTOR	Vector
WATER	Water

1. OPERATION

Term	Meaning
WIND	Wind
YES	Yes

1.5 How to Select the Units of Measurement

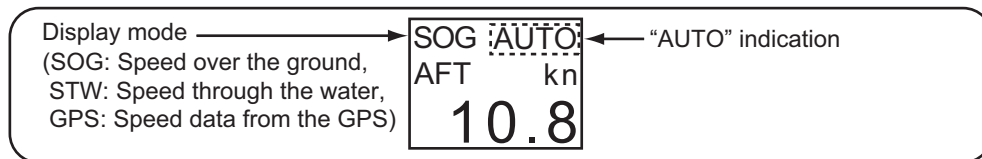
You can select the units of measurement for speed, distance, depth, wind speed and water temperature.

1. Press the **DISP** key to display the screen which you want to change the units of measurement.
2. Press the **UNIT** key to select the unit desired.
 - Speed: kn (default), m/s, km/h
 - Depth: ft (default), m, fm
 - Wind speed: kn (default), m/s, km/h, mph
 - Water temperature: °C (default), °F
 - Distance: The combinations of the units for distance and speed are as follows:

Distance	Speed	Remarks
NM	kn	Default
NM	m/s	
km	m/s	
km	kn	

1.6 How to Select the Display Mode

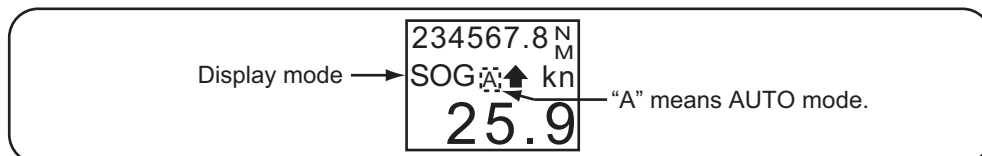
1. Press the **DISP** key to display the screen which you want to change the display mode.
2. Press the **MODE** key to select the display mode desired.
 - Speed: AUTO (default), SOG, STW, GPS
 In the [AUTO] mode, speed data is displayed in order of priority, SOG, STW and GPS. The SOG has the highest and GPS has the lowest priority. That is, when SOG, STW and GPS data are input, the SOG data is displayed. "AUTO" appears at the upper-right corner of the screen when the [AUTO] mode is active.



SOG/STW: The speed data from the doppler sonar, doppler log, speed log, etc. GPS: The data from the navigation equipment not described above (mainly, SOG data from a GPS navigator).

- Distance: AUTO (default), SOG, STW, GPS
 In the [AUTO] mode, the highest priority data is SOG and the lowest is GPS. "A" appears after the display mode when the [AUTO] mode is active.

Note: This equipment can not receive VLW data which is based on SOG.



- Rate of turn: Turn on/off the broken line under the indication "ROT".

Display mode (ON: Broken line* scrolls across the screen (Starboard: from left to right, Port: from right to left), OFF: No indication)

ROT	deg/min
P	10.6

*: The scrolling speed of the broken line increases with rate of turn speed.

- Heading: True (default, display indication: none), Magnetic (display indication: "MAG")

Display mode (No indication: True, MAG: Magnetic)

HDG	deg
MAG	135.4

- Course over the ground: True (default, display indication: none), Magnetic (display indication: "MAG")

Display mode (No indication: True, MAG: Magnetic)

COG	deg
MAG	030.9

- Depth: AUTO (default), DBK, DBT, DBS
In the [AUTO] mode, the highest priority data is DBK and the lowest is DBS. "A" appears after the display mode when the [AUTO] mode is active. The depth position setting of the echo sounder (FE-800) is used when the FE-800 is connected.

Note: When the FE-800 is connected, you can not change the measurement unit setting.

Display mode (DBK: Depth below keel, DBT: Depth below transducer, DBS: Depth below surface)

DEPTH	ft
DBK A	198.5

"A" means AUTO mode.

- Engine/shaft revolution: Select [ENGINE] or [SHAFT] from the user menu. The screen shows "ENGINE" or "SHAFT" depending on your selection.

Display mode (ENGINE or SHAFT)

ENGINE	3
+	RPM
	150

← Revolution per minute

- Propeller pitch: Select [PITCH] from the user menu. "PITCH" appears on the screen.

Display mode

PITCH	2
+	%
	36

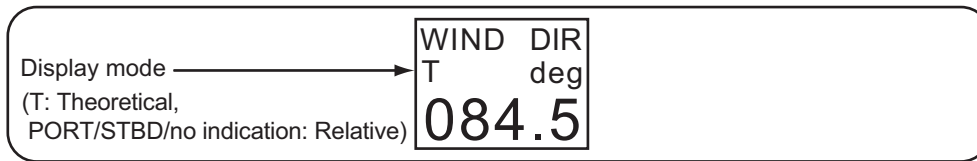
- Wind speed: Theoretical (default, display indication: "T"), Relative (display indication: "R").

Display mode (T: Theoretical, R: Relative)

WIND SPD	kn
T	3.1

1. OPERATION

- Wind direction: Theoretical (default, display indication: "T"), Relative (When the wind blows from the port, "PORT" is displayed. When the wind blows from the starboard, "STBD" is displayed. When the wind direction is 0.0 or 180.0 degrees, there is no indication of "PORT" nor "STBD".)



1.7 How to Set the User Menu

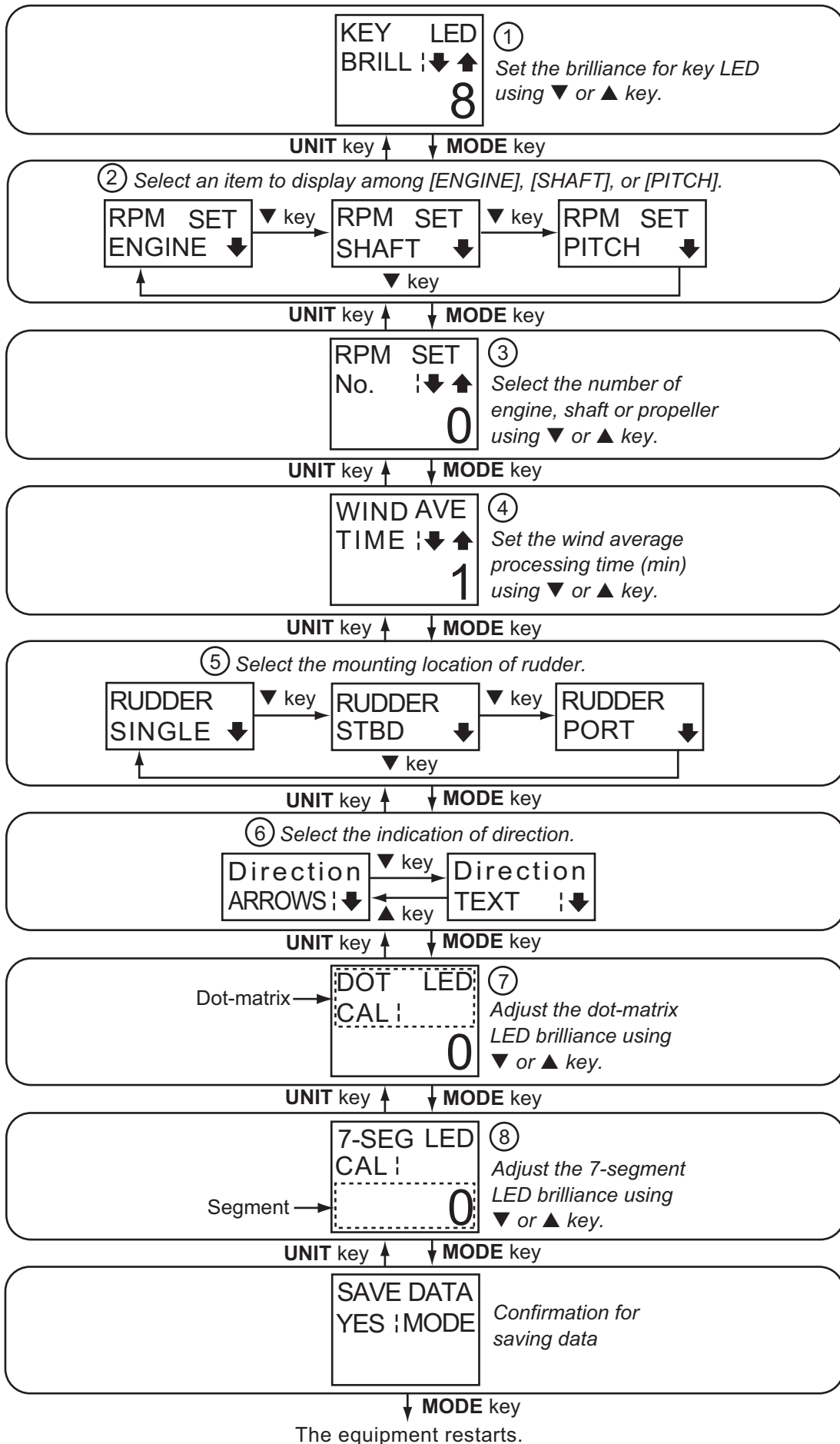
The user menu lets you adjust the RD-20 to meet your needs.

No.	Menu	Description	Setting	Default
1	KEY LED BRILL	Set the brilliance for key LED.	1 to 8	8
2	RPM SET ENGINE (or SHAFT, PITCH)	Select the engine-related data to show from [ENGINE], [SHAFT], or [PITCH].	ENGINE, SHAFT, PITCH	ENGINE
3	RPM SET No.	Select the number of engine, shaft, or propeller.	0 to 9	0
4	WIND AVE TIME	Set the wind averaging time to smooth wind data. The longer the setting, the more the data is smoothed. To find the momentary wind direction and speed, select the shorter time.	0, 1, 2, 3, 5, 10 min	1 min
5	RUDDER SINGLE (or STBD, PORT)	Select the mounting location of the rudder from [SINGLE], [STBD] (starboard), or [PORT].	SINGLE, STBD, PORT	SINGLE
6	Direction ARROWS (or TEXT)	Select the indication of direction from [ARROWS] or [TEXT] for speed, ROT (rate of turn), rudder and engine/shaft/pitch.	ARROWS, TEXT	ARROWS
7	DOT LED CAL	If there is a difference between the dot-matrix LED brilliance and the 7-segment LED brilliance, adjust the DOT LED CAL or 7-SEG LED CAL so that both brilliances are the same. -3 is the darkest and 3 is the brightest.	-3 to 3	0
8	7-SEG LED CAL		-3 to 3	0

Setting procedures

1. While you hold down the **DISP** key, press the **PWR** key to turn on the power.
2. Press the **MODE** key or the **UNIT** key to select the screen desired.
3. Press ▼ or ▲ key to set the value then press the **MODE** key to save the data and go to the next screen.
4. After you set all options, the screen for saving data appears. Press the **MODE** key to save the data. The equipment restarts.

Note: The user menu is inoperative on the RD-501 and RD-502.



2. MAINTENANCE, TROUBLE-SHOOTING

NOTICE

Do not apply paint, anti-corrosive sealant or contact spray to coating or plastic parts of the equipment.

Those items contain organic solvents that can damage coating and plastic parts, especially plastic connectors.

2.1 Maintenance

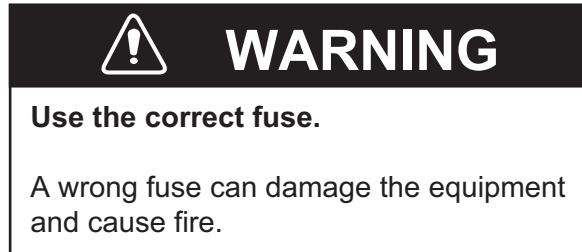
Check the following points regularly to maintain performance:

- Check that connections on the rear panel are firmly tightened and free of dust.
- Check that the ground system is free of rust and the ground wire is tightly fastened.
- Remove dust or dirt from the cabinet with a soft, dry cloth. For stubborn dirt, you can use water-diluted mild detergent. Clean the cabinet with a dry cloth after you use detergent. Do not use solvents like thinner, acetone or benzene to clean the unit. They can remove paint and indications.

2.2 Life of the Parts

Fuse replacement

The fuse in the remote display protects the equipment from overcurrent and equipment fault. If the fuse blows, find the cause before you replace the fuse. Use the correct fuse. A wrong fuse can damage the equipment. See the outline drawings about the location of the fuse.



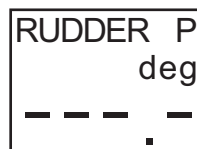
Type	Code No.	Remarks
FGMB 125V 2A PBF	000-157-479-10	12-24 VDC

LED life

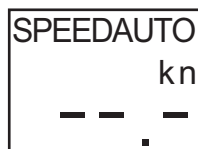
The life of the LED is approximately 46,000 hours. The actual number of hours depends on ambient temperature and humidity. The consumption current depends on the number of lighting LEDs and the LED brilliance.

2.3 Error Screens

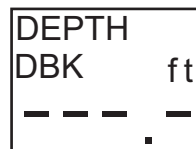
When the NMEA sentences are not input or are timed out, the RD-20 displays the following error screens.



Example: Rudder angle



Example: Speed in [AUTO] mode



Example: Depth in not [AUTO] mode



Example: Total distance in [AUTO] mode

2.4 Diagnostic Test

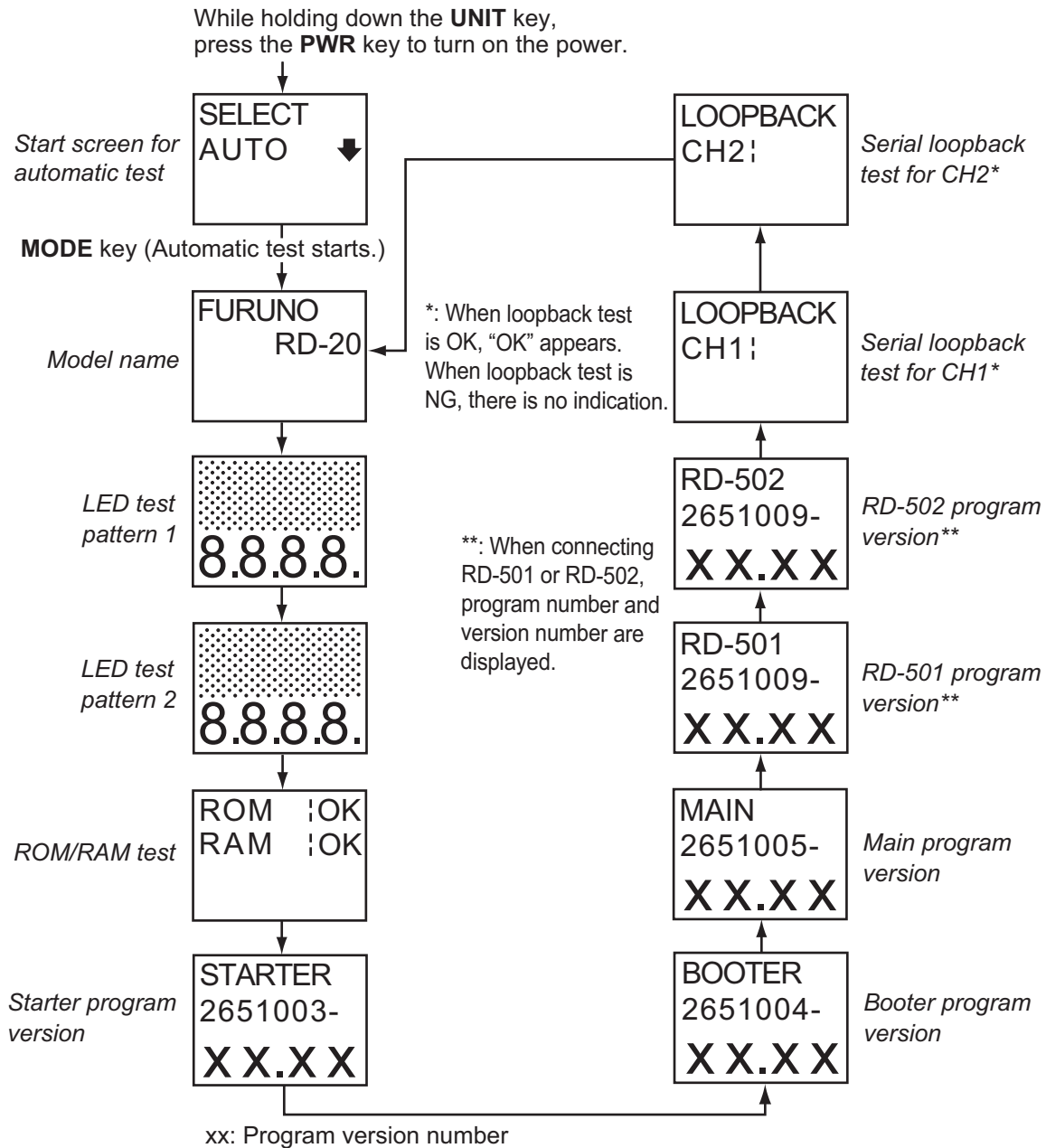
The diagnostic test checks the system for correct operation. There are two types of diagnostic tests; automatic test and key test.

Automatic test

1. While you hold down the **UNIT** key, press the **PWR** key to turn on the power.
2. Press the **MODE** key. The automatic test starts. To stop the test, press the **PWR** key.

Note: You can extend the display time for a screen by three seconds. Momentarily press any key (except the **PWR** key) at the desired screen during the test. You can do this procedure up to 10 times, that is you can extend the display time to a maximum of 30 seconds.

2. MAINTENANCE, TROUBLESHOOTING



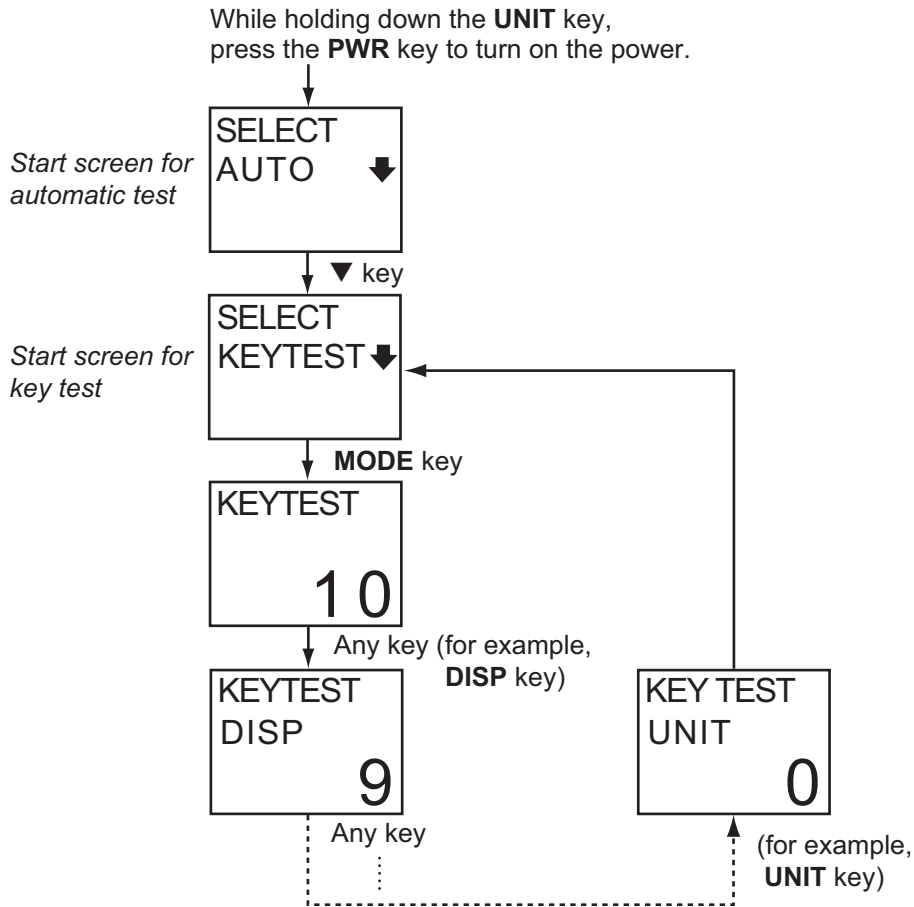
Test results

- Model name: The model name "RD-20" is displayed.
- LED test (pattern 1 and 2): Check that all LED segments light.
- ROM, RAM: The results of the ROM/RAM test are displayed as OK or NG (No Good). If any NG is displayed, contact your dealer for instruction.
- Program version (starter, booter, main, RD-501, RD-502): The program version numbers are displayed.
- Serial loopback test (CH1 and CH2), for field serviceman: A test jumper is required for this test. The result of the loopback test is displayed as OK or no indication (test not done).

Key test

1. While you hold down the **UNIT** key, press the **PWR** key to turn on the power.
2. Press **▼** key once to display the key test screen.
Note: You can not use the **▼** key of the RD-502 at this screen.

3. Press the **MODE** key.
4. Press each key except the **PWR** key. You can test up to 10 keys. The key name for the key pressed and the number of keys remaining to test are displayed. When the count is 0, the start screen for the key test appears. When testing more than 10 keys, repeat steps 3 and 4.

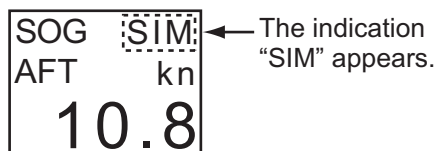


5. To stop the test, press the **PWR** key.

Note: For the remote controller and dimmer controller, "-R" is displayed after the key name except the **DAY/NT** key.

2.5 Simulation Mode

The simulation mode, which shows internally generated navigation data, is provided to acquaint you with the features of the RD-20. "SIM" appears and flashes at the upper-right corner of the screen when the simulation mode is turned on.

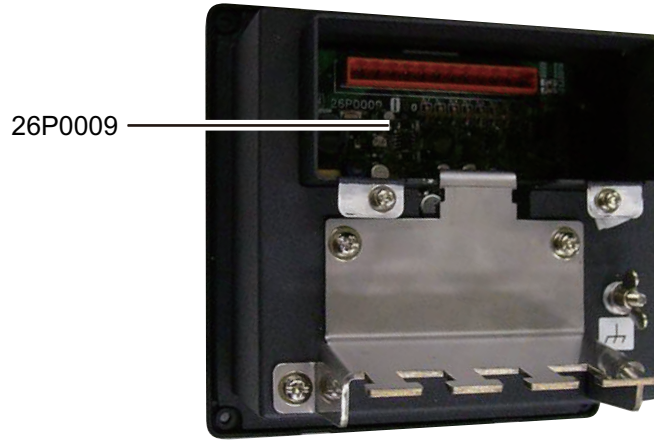


1. While you hold down the **UNIT** key, press the **PWR** key to turn on the power.
2. Press **▼** key twice. The screen for simulation appears.
Note: You can not use the **▼** key of the RD-502 at this screen.
3. Press the **MODE** key to start the simulation mode.
4. To stop the simulation mode, press the **PWR** key to turn off the power.

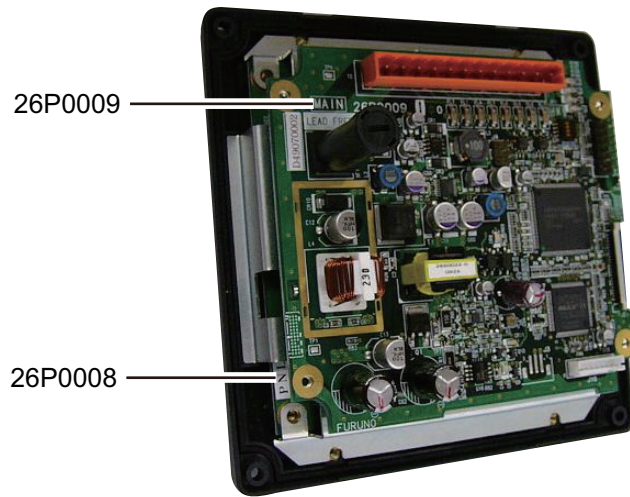
2.6 Parts Location and Parts List

Parts Location

RD-20

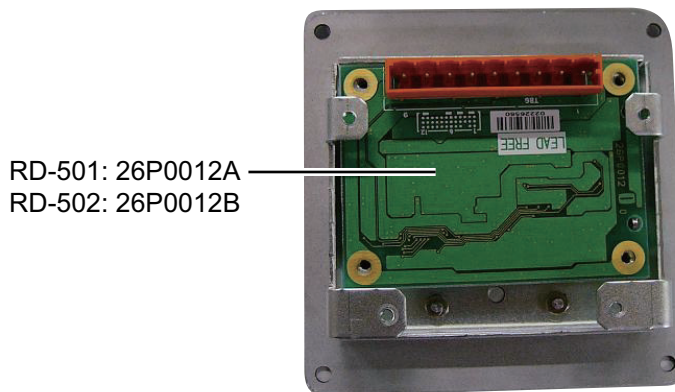


Rear side



Cover opened

RD-501/502



Cover opened

Parts List

ELECTRICAL PARTS	Model	RD-20
	Unit	Remote display RD-20
PRINTED CIRCUIT BOARD	Code No.	
26P0008, PNL	-	
26P0009, MAIN	-	

ELECTRICAL PARTS	Model	RD-501
	Unit	Remote controller RD-501
PRINTED CIRCUIT BOARD	Code No.	
26P0012A, RMT	-	

ELECTRICAL PARTS	Model	RD-502
	Unit	Dimmer controller RD-502
PRINTED CIRCUIT BOARD	Code No.	
26P0012B, RMT	-	

3. INSTALLATION

3.1 Equipment List

Standard supply

Name	Type	Code No.	Qty	Remarks
Remote Display	RD-20	-	1	
Installation Materials	CP26-01001*	001-076-460-00	1	
Accessories	FP26-00301*	001-076-470-00	1	
Spare Parts	SP26-00101*	001-076-450-00	1	

Optional supply

Name	Type	Code No.	Remarks
Remote Controller	RD-501	-	Including CP26-01101*
Dimmer Controller	RD-502	-	Including CP26-01201*
Hanger	OP26-1*	000-016-195-00	

*: See the Packing lists.

3.2 Installation of Remote Display

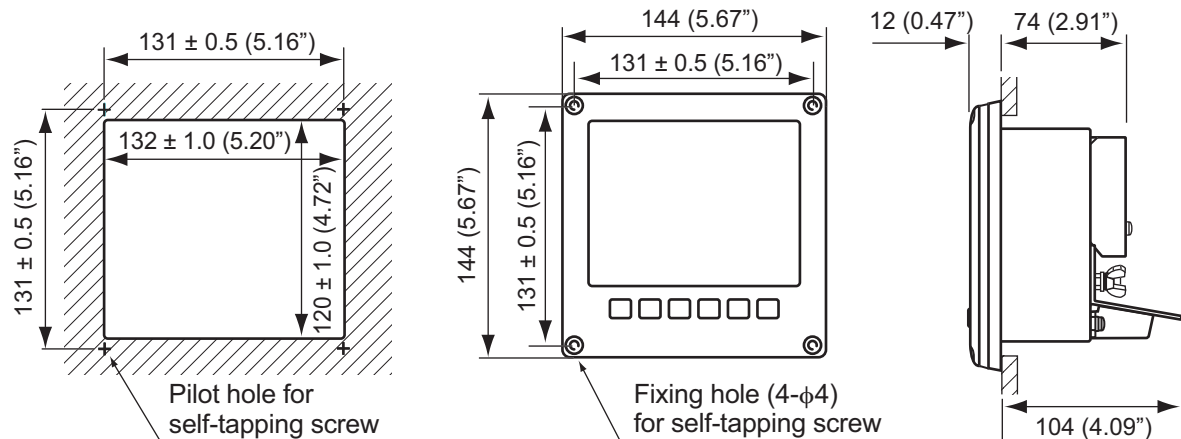
Mounting considerations

The remote display can be installed on a desktop, on the overhead, or flush mounted in a panel. When you select a mounting location, keep in mind the following points:

- The nominal viewing distance for the display unit is 2.0 m. Select a suitable mounting location considering that distance.
- Locate the unit away from exhaust pipes and vents.
- Locate the unit out of direct sunlight.
- Select an installation location that is well ventilated.
- Mount the unit where shock and vibration are minimal.
- Locate the unit away from equipment which generates the electromagnetic fields like a motor or generator.
- Allow enough maintenance space at the sides and rear of the unit. Leave enough slack in cables to facilitate maintenance and servicing.
- Observe the compass safe distances (see page ii) to prevent interference to a magnetic compass.

Flush mounting

1. Make a cutout in the mounting location (132 mm (width) x 120 mm (height)).
2. Make four pilot holes for self-tapping screws (diameter: 3 mm) in the location indicated in the illustration below.
3. Insert the sponge to the remote display from the rear side.
4. Set the remote display to the cutout and fasten the remote display with four self-tapping screws (M3x15).
5. Set a cosmetic cap to each fixing screw on the front panel. (See “How to set the cosmetic cap” on page 20.)

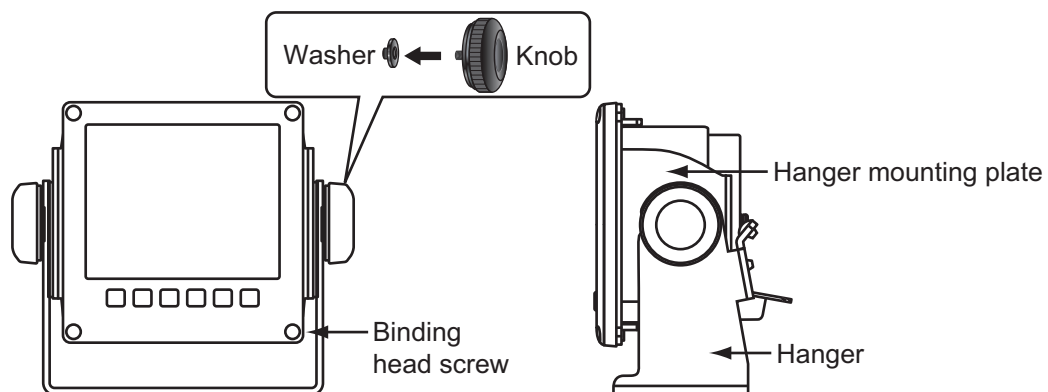


Note: If it is more convenient to connect cables before you install the remote display, first connect the cables referring to the section 3.4.

Desktop or overhead mounting

You can mount the remote display on a desktop or on the overhead using the optional hanger (Type: OP26-1, Code No.: 000-016-195-00).

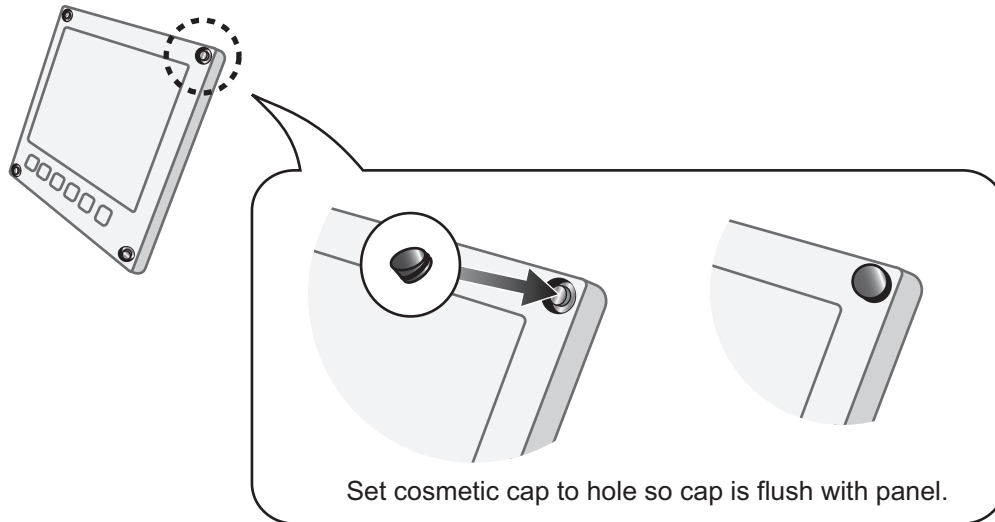
1. Insert the hanger mounting plate to the remote display from the rear and fasten the hanger mounting plate from the front of the remote display with four binding head screws (M3x12).
2. Fix the bottom of the hanger to the mounting location with four self-tapping screws (4x16).
3. Insert a washer to each knob (right and left) and fix the knobs to the remote display loosely.
4. Slip the screw parts of the knobs to the slit of the hanger and set the remote display to the hanger.
5. Tighten the knobs to fasten the hanger to the remote display.
6. Set a cosmetic cap to each fixing screw on the front panel. (See “How to set the cosmetic cap” on page 20.)



3. INSTALLATION

How to set the cosmetic cap

Set a cosmetic cap to each fixing screw on the front panel as shown below.

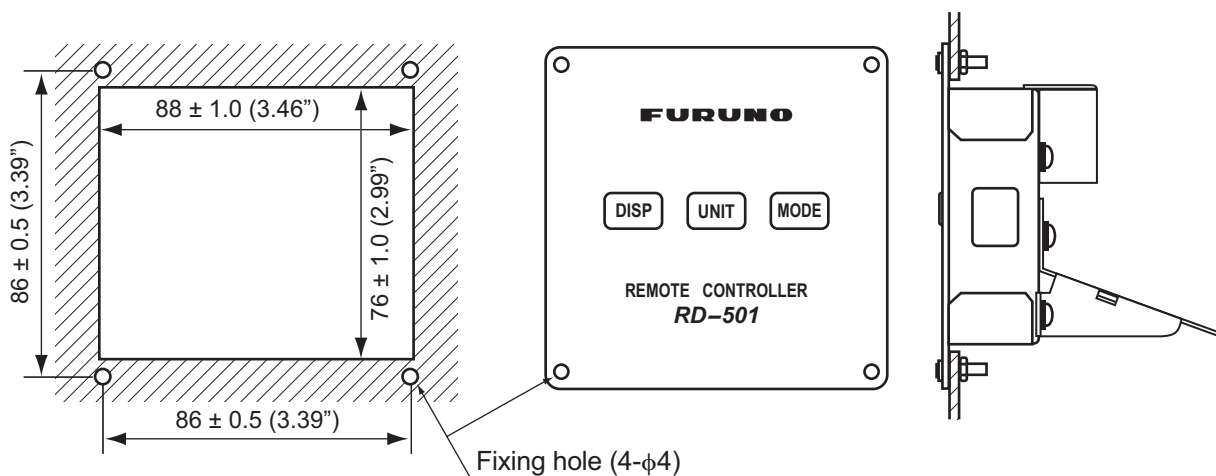


3.3 Installation of Remote Controller and Dimmer Controller

The optional remote controller RD-501 and dimmer controller RD-502 can be flush mounted in a panel. The size and the mounting procedure are shared by RD-501 and RD-502. For the mounting location, refer to the mounting considerations for the remote display in section 3.2.

Flush mounting

1. Make a cutout in the mounting location (88 mm (width) x 76 mm (height)).
2. Make four holes of $\phi 4$ in the location indicated in the illustration below.
3. Set the remote controller or dimmer controller to the cutout. Insert four binding head screws (M3x12) from the front side then fasten the unit with four sets of flat washers, spring washers and hexagonal nuts from the rear side.



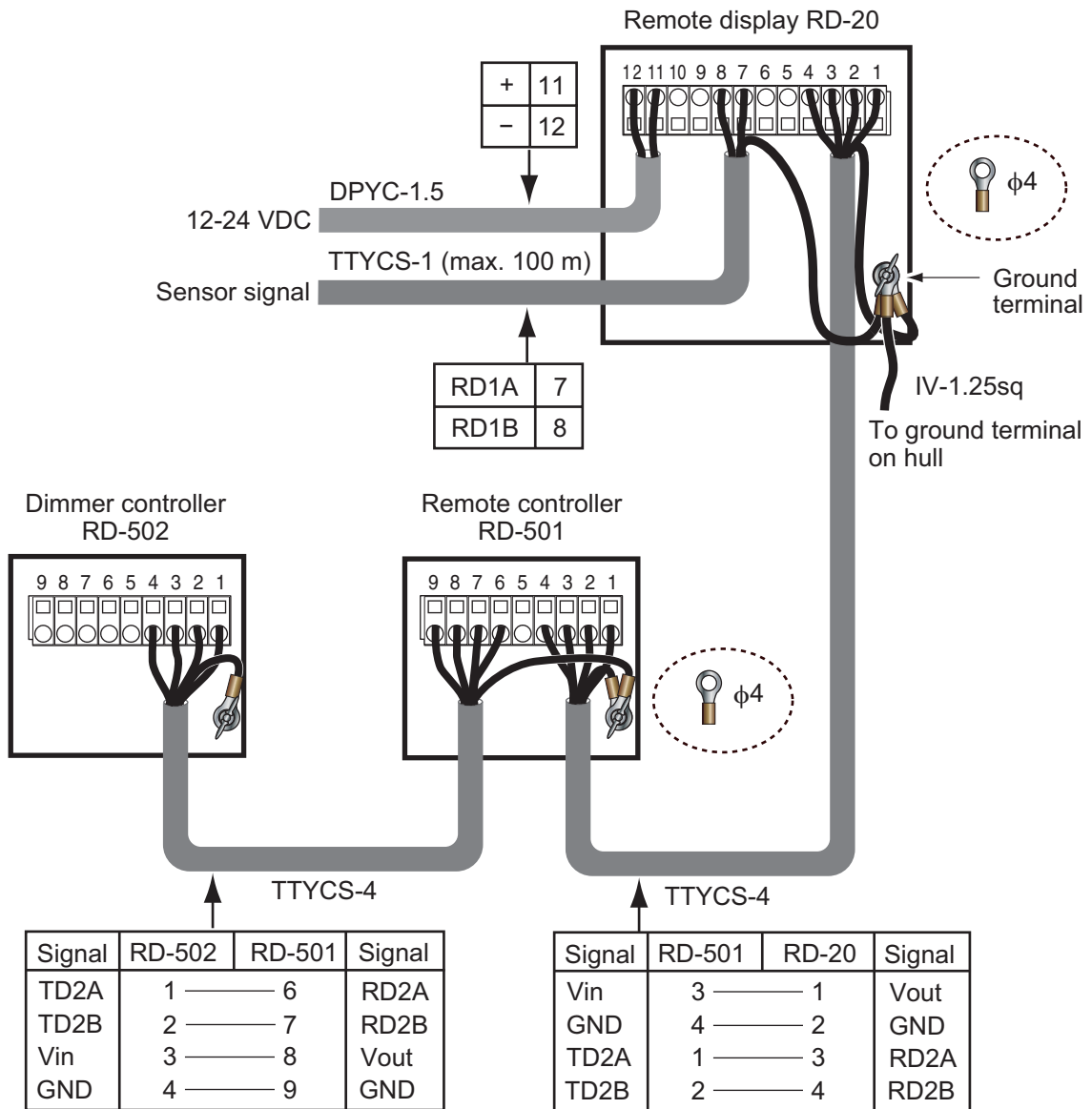
Note: If it is more convenient to connect cables before you install the remote controller or dimmer controller, first connect the cables referring to the section 3.4.

3.4 Wiring

Interconnection

Refer to the interconnection diagram (page S-1) to connect cables.

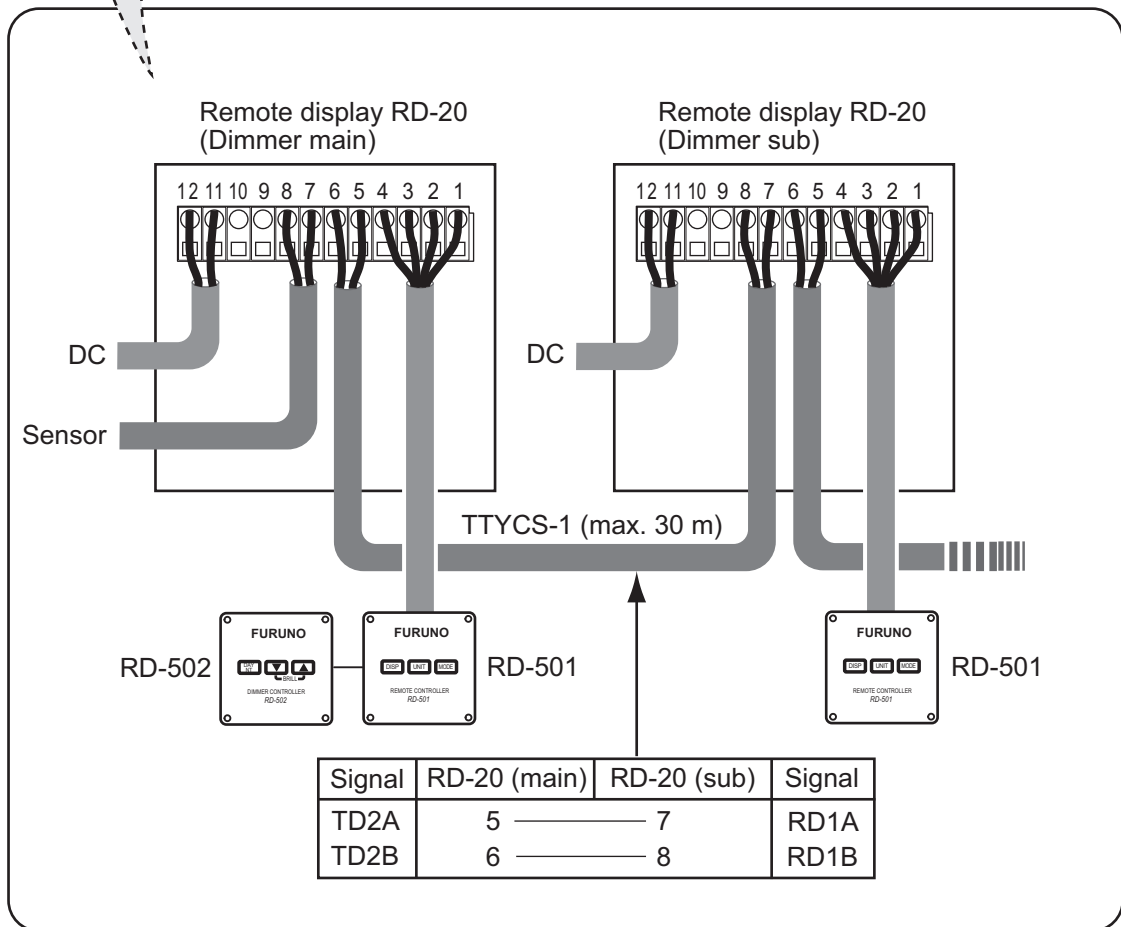
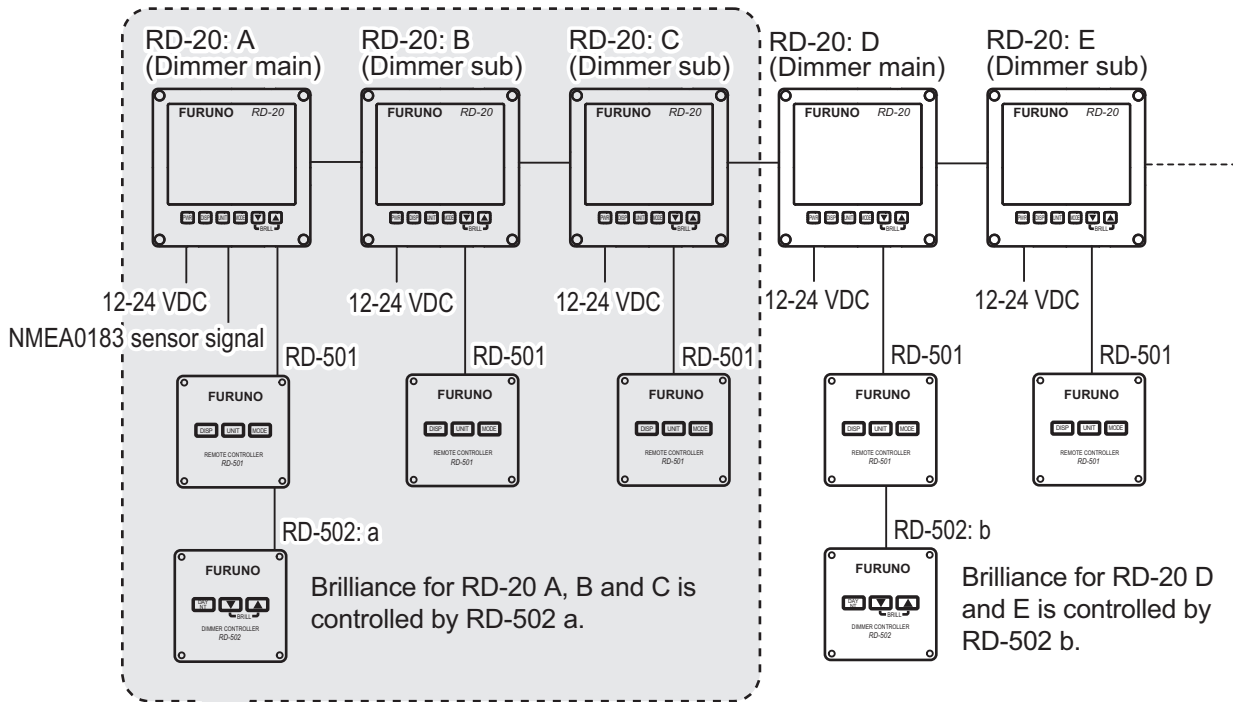
Single remote display



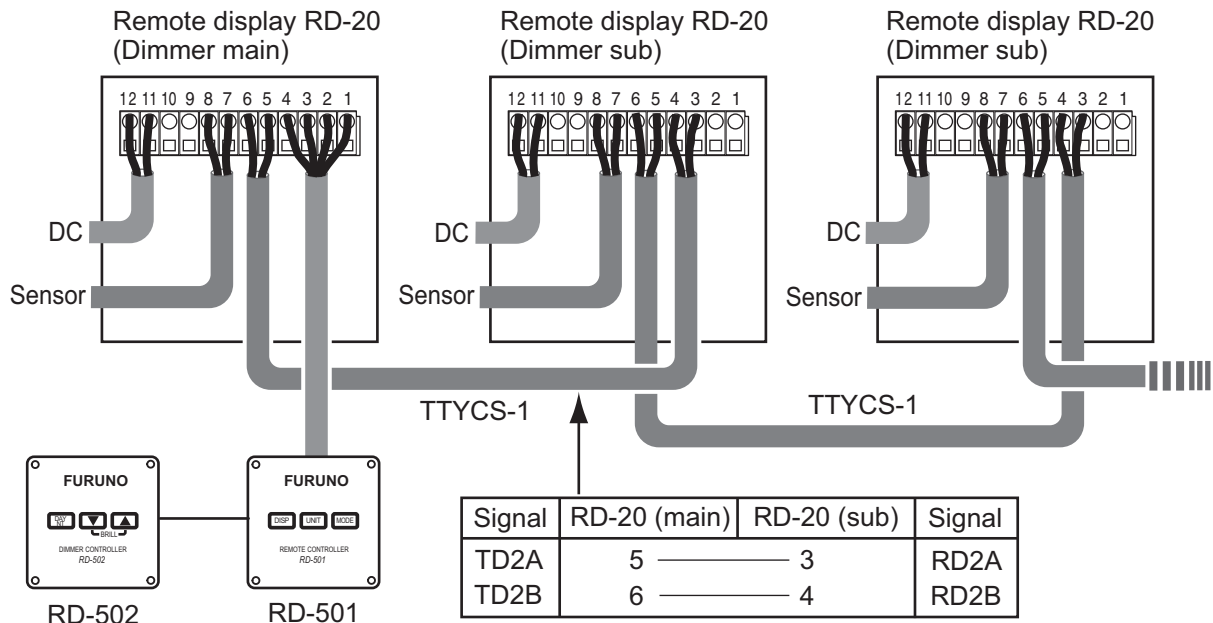
3. INSTALLATION

Multiple remote displays (daisy chain connection)

Pattern 1: Sensor signal and dimmer controller are commonly used. A total of 10 RD-20s can be connected in a daisy chain. A maximum of nine sub RD-20s can be connected.



Pattern 2: Dimmer controller is commonly used. A total of 10 RD-20s can be connected in a daisy chain. A maximum of nine sub RD-20s can be connected.

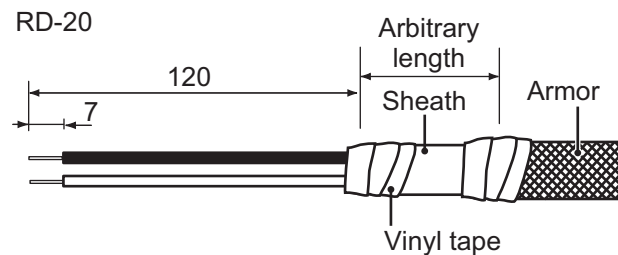


Note: When you turn off the power for a RD-20 in the daisy chain connection, the RD-20s which are connected after that RD-20 can receive neither the sensor signal nor the brilliance signal.

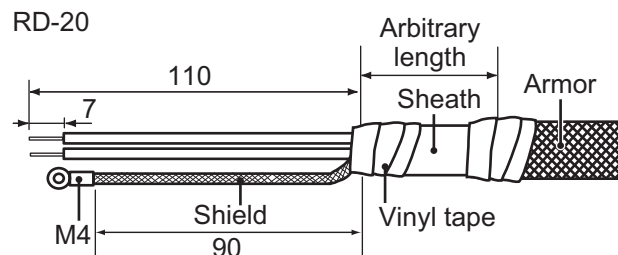
Connection of each unit

Process each cable referring to the illustrations below and on the next page. The cables shown are JIS (Japanese Industrial Standard) cables. For the equivalent cables, see section 3.6.

Fabrication of RD-20 power cable DPYC-1.5

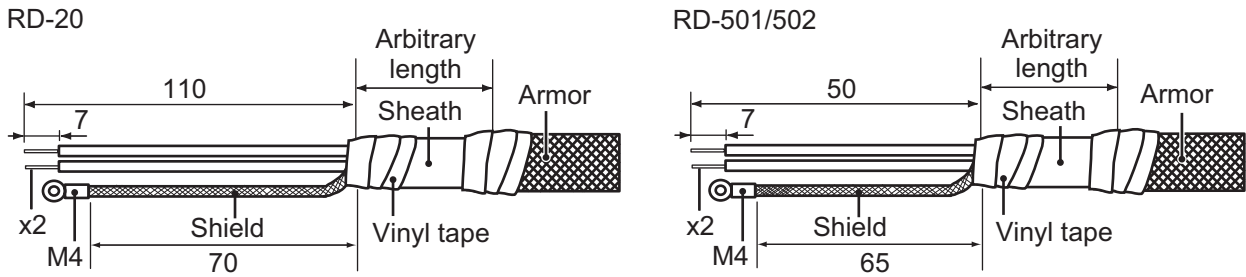


Fabrication of sensor signal cable TTYCS-1

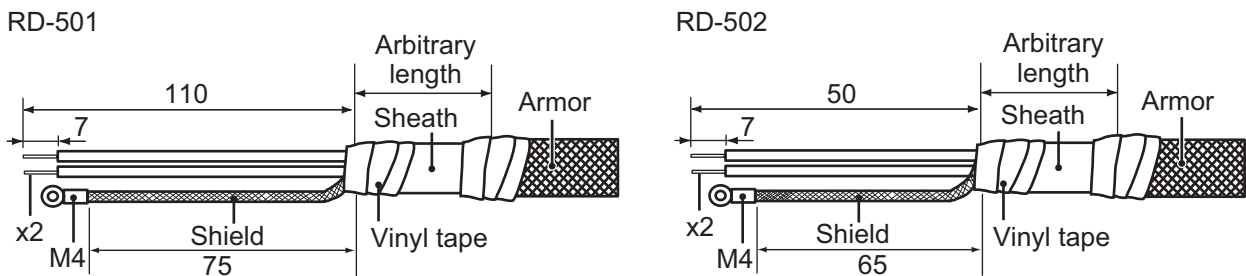


3. INSTALLATION

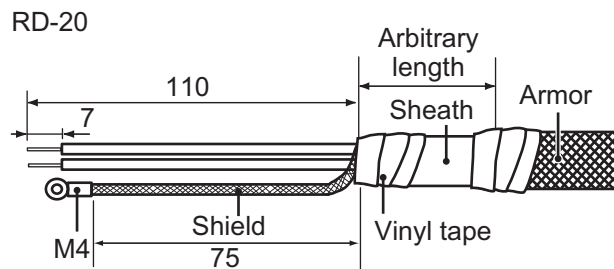
Fabrication of cable TTYCS-4 between RD-20 and RD-501/502



Fabrication of cable TTYCS-4 between RD-501 and RD-502

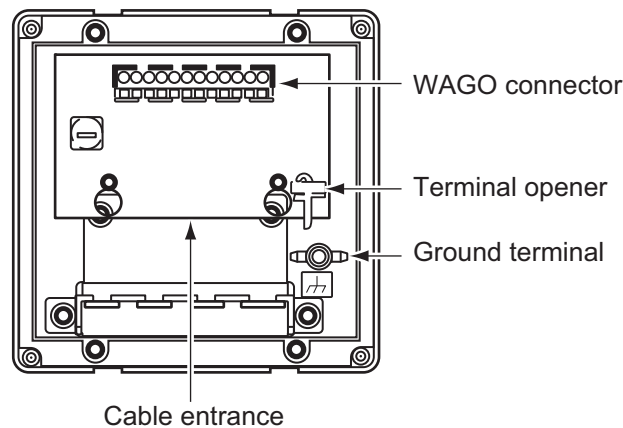


Fabrication of cable TTYCS-1 between RD-20s in daisy chain connection

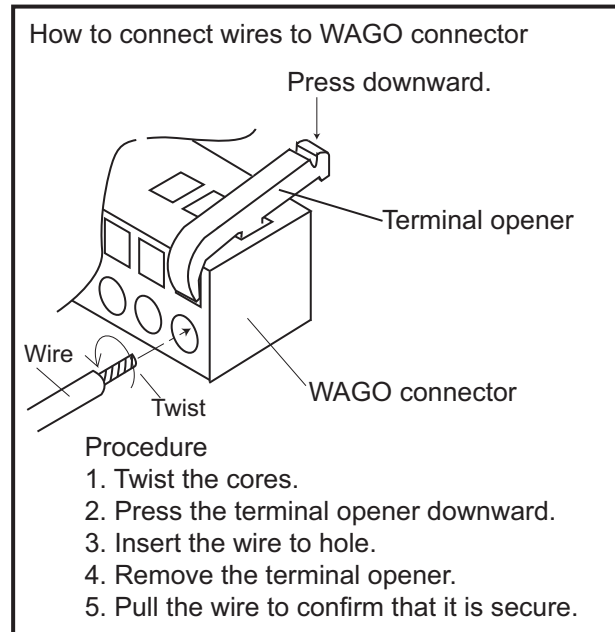


Connection

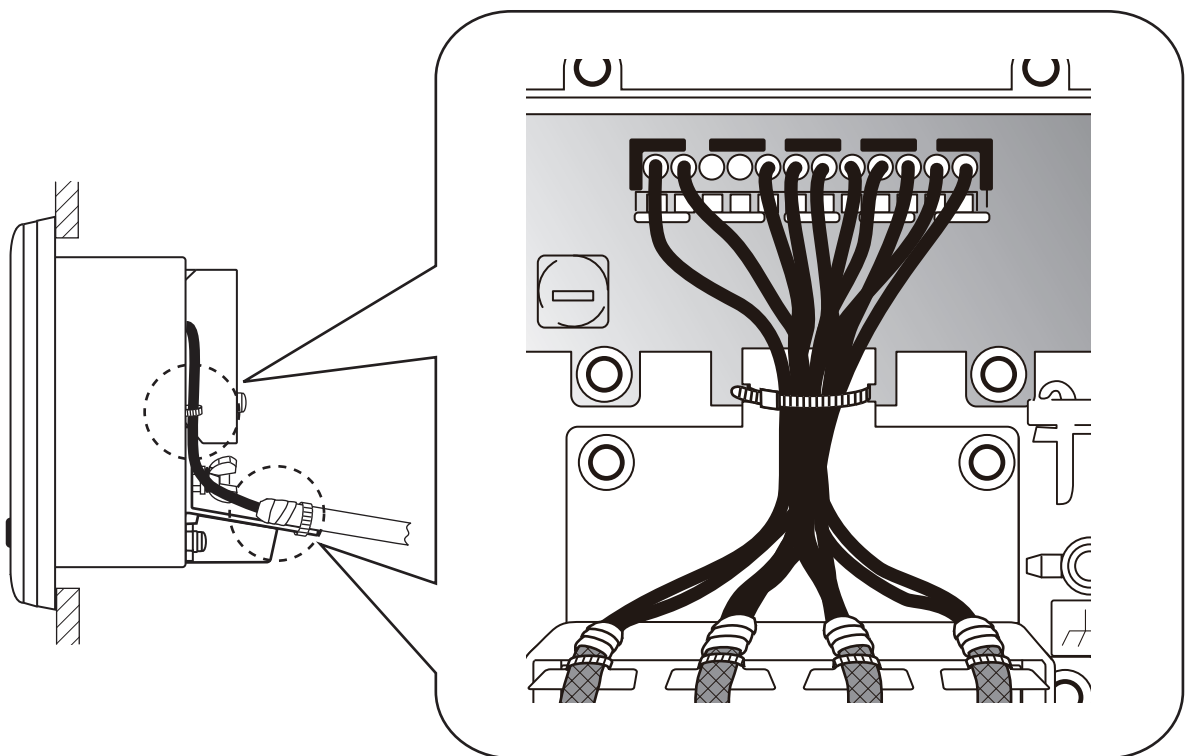
Remove the WAGO connector from each unit and connect each cable core to the WAGO connector. See the interconnection diagram (page S-1). The terminal opener is attached inside the remote display at the location shown in the figure below.



Remote display, rear panel



Attach the WAGO connectors (with cables). Bind the sheaths of cables to the fixture with the cable ties.



3.5 Adjustments

After wiring each unit, initialize each remote display as follows:

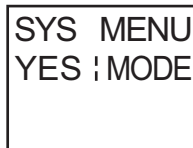
1. While you hold down the **MODE** key, press the **PWR** key to turn on the power.



A rectangular box representing a screen display. The text inside is arranged in two lines: 'SYS MENU' on the top line and 'NO ;MODE' on the bottom line.

Note: If you press the **MODE** key with this screen shown, the equipment restarts.

2. Press ▼ key to select the screen for [YES].



A rectangular box representing a screen display. The text inside is arranged in two lines: 'SYS MENU' on the top line and 'YES ;MODE' on the bottom line.

3. Press the **MODE** key. The screen for speed appears.
4. Press ▼ or ▲ key to change the setting.
5. Press the **MODE** key to go to the next screen. Use ▼ or ▲ key to change the setting.
6. Repeat step 5 to set all menus. You can use the **UNIT** key to return to the previous screen.
7. After you set all menus, press the **MODE** key with the screen for [ALL CLEAR]. The equipment restarts.

Note: The system menu is inoperative on the RD-501 and RD-502.

3. INSTALLATION

No.	Menu	Description	Default
1	SPEED	<ul style="list-style-type: none"> [1 AXIS]: Display FWD/AFT speed. Forward: FWD (↑), After: AFT (↓) [VECTOR]: Do not display the direction of the ship's movement. <p>Note: The [VECTOR] speed consists of forward/after speed of the ship and the influence of tidal current/wind. Requires multi-axis speed data.</p>	[1 AXIS]
2	DIMMER	<ul style="list-style-type: none"> [MAIN]: Set the unit which is connected to the dimmer controller in the daisy chain connection as the main unit. [SUB]: Set the unit which is not connected to the dimmer controller in the daisy chain connection as a sub unit. 	[MAIN]
3	NoChkSUM	<ul style="list-style-type: none"> [Enable]: Receive NMEA0183 sentences with and without checksums. [Disable]: Do not receive NMEA0183 sentences that do not have checksums. 	[Disable]
4	BAUD-RATE	<ul style="list-style-type: none"> [CH1/2 4.8k]: Select if the CH1 input data or CH2 input/output data is 4.8 Kbps. [CH1/2 38.4k]: Select if the CH1 input data or CH2 input/output data is 38.4 Kbps. 	[CH1 4.8k], [CH2 38.4k]
5	S-OUT	<ul style="list-style-type: none"> [ON]: Share the sensor signal in the daisy chain (pattern 1 in the system configuration). [OFF]: Do not share the sensor signal in the daisy chain (pattern 2 in the system configuration). 	[ON]
6	DOT LED RANK	Set the rank for LED brilliance in order to even out the brilliance of the remote displays in the daisy chain connection. Press ▼ or ▲ key to set the value. The setting range is 1 to 3. [3] is the highest ranking.	-
7	ALL CLEAR	<ul style="list-style-type: none"> [NO]: Do not clear the settings. Select [NO] and press the MODE key. After saving the above setting, the equipment restarts. [YES]: Clear the settings. Select [YES] and press the MODE key. The equipment restarts with the default settings. <p>When clearing the settings for RD-20, the following items are restored to default.</p> <ul style="list-style-type: none"> Settings for the data display (screen mode), display mode, unit of measurement, direction of the ship, display brilliance Settings for the user menu Settings for the system menu except the rank for LED brilliance 	[NO]

3.6 JIS Cable Guide

Cables listed in the manual are usually shown as Japanese Industrial Standard (JIS). Use the following guide to locate an equivalent cable locally.

JIS cable names may have up to 6 alphabetical characters, followed by a dash and a numerical value (example: DPYC-2.5).

For core types D and T, the numerical designation indicates the *cross-sectional Area (mm²)* of the core wire(s) in the cable.

For core types M and TT, the numerical designation indicates the *number of core wires* in the cable.

1. Core Type

- D: Double core power line
- T: Triple core power line
- M: Multi core
- TT: Twisted pair communications
(1Q=quad cable)

2. Insulation Type

- P: Ethylene Propylene Rubber

3. Sheath Type

- Y: PVC (Vinyl)

4. Armor Type

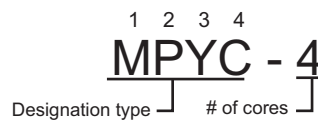
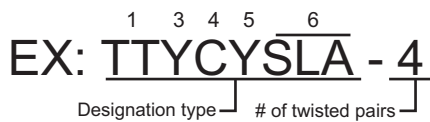
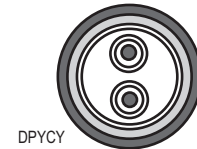
- C: Steel

5. Sheath Type

- Y: Anticorrosive vinyl sheath

6. Shielding Type

- SLA: All cores in one shield, plastic tape w/aluminum tape
- SLA: Individually shielded cores, plastic tape w/aluminum tape



The following reference table lists gives the measurements of JIS cables commonly used with Furuno products:

Type	Core		Cable Diameter	Type	Core		Cable Diameter
	Area	Diameter			Area	Diameter	
DPYC-1.5	1.5mm ²	1.56mm	11.7mm	TTYCSLA-1	0.75mm ²	1.11mm	9.4mm
DPYC-2.5	2.5mm ²	2.01mm	12.8mm	TTYCSLA-1T	0.75mm ²	1.11mm	10.1mm
DPYC-4	4.0mm ²	2.55mm	13.9mm	TTYCSLA-1Q	0.75mm ²	1.11mm	10.8mm
DPYC-6	6.0mm ²	3.12mm	15.2mm	TTYCSLA-4	0.75mm ²	1.11mm	15.7mm
DPYC-10	10.0mm ²	4.05mm	17.1mm	TTYCY-1	0.75mm ²	1.11mm	11.0mm
DPYCY-1.5	1.5mm ²	1.56mm	13.7mm	TTYCY-1T	0.75mm ²	1.11mm	11.7mm
DPYCY-2.5	2.5mm ²	2.01mm	14.8mm	TTYCY-1Q	0.75mm ²	1.11mm	12.6mm
DPYCY-4	4.0mm ²	2.55mm	15.9mm	TTYCY-4	0.75mm ²	1.11mm	17.7mm
MPYC-2	1.0mm ²	1.29mm	10.0mm	TTYCY-4SLA	0.75mm ²	1.11mm	19.5mm
MPYC-4	1.0mm ²	1.29mm	11.2mm	TTYCYSLA-1	0.75mm ²	1.11mm	11.2mm
MPYC-7	1.0mm ²	1.29mm	13.2mm	TTYCYSLA-4	0.75mm ²	1.11mm	17.9mm
MPYC-12	1.0mm ²	1.29mm	16.8mm	TTPYCSLA-1	0.75mm ²	1.11mm	9.2mm
TPYC-1.5	1.5mm ²	1.56mm	12.5mm	TTPYCSLA-1T	0.75mm ²	1.11mm	9.8mm
TPYC-2.5	2.5mm ²	2.01mm	13.5mm	TTPYCSLA-1Q	0.75mm ²	1.11mm	10.5mm
TPYC-4	4.0mm ²	2.55mm	14.7mm	TTPYCSLA-4	0.75mm ²	1.11mm	15.3mm
TPYCY-1.5	1.5mm ²	1.56mm	14.5mm				
TPYCY-2.5	2.5mm ²	2.01mm	15.5mm				
TPYCY-4	4.0mm ²	2.55mm	16.9mm				

APPENDIX 1 DIGITAL INTERFACE

Input sentences

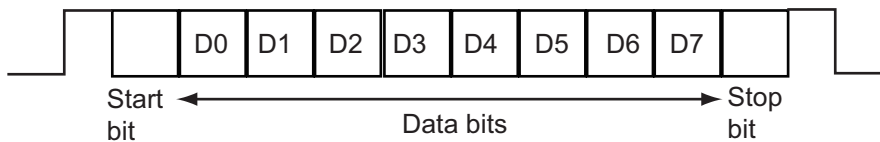
DBK, DBS, DBT, DPT, HDG, HDM, HDT, HTC, HTD, MTW, MWV, RMC, ROT, RPM, RSA, THS, VBW, VHW, VLW, VTG, VWR, VWT

Data reception

Data is received in serial asynchronous form in accordance with the standard referenced in IEC 61162-1.

The following parameters are used:

- Baud rate Input: 4800 bps, IEC 61162-1-2 Output: Same as above. Baud rate fixed at 38400 bps for RD-20.
- Data bits: 8 (D7 = 0), Parity: none, Stop bits: 1



Data sentences: Input

DBK - Depth below keel

```
$**DBK,x.x,f,x.x,M,x.x,F,*hh<CR><LF>  
  1 2 3 4 5 6
```

1. Water depth (0.00 to 99999.99)
2. feet
3. Water depth (0.00 to 99999.99)
4. Meters
5. Water depth (0.00 to 99999.99)
6. Fathom

DBS - Depth below surface

```
$**DBS,x.x,f,x.x,M,x.x,F,*hh<CR><LF>  
  1 2 3 4 5 6
```

1. Water depth (0.00 to 99999.99)
2. feet
3. Water depth (0.00 to 99999.99)
4. Meters
5. Water depth (0.00 to 99999.99)
6. Fathom

DBT - Depth below transducer

```
$**DBT,x.x,f,x.x,M,x.x,F,*hh<CR><LF>  
  1 2 3 4 5 6
```

1. Water depth (0.00 to 99999.99)
2. feet
3. Water depth (0.00 to 99999.99)
4. Meters
5. Water depth (0.00 to 99999.99)
6. Fathoms

DPT - Depth

\$**DPT,x.x,x.x,x.x,*hh<CR><LF>

1 2 3

1. Water depth relative to the transducer, meters (0.00 to 99999.99)
2. Offset from transducer, meters (-99.99 to 99.99, null)
3. Maximum range scale in use (unused)

HDG - Heading, deviation and variation

\$**HDG,x.x,x.x,a,x.x,a*hh<CR><LF>

1 2 3 4 5

1. Magnetic sensor heading, degrees (0.00 to 360.00)
2. Magnetic deviation, degrees (0.0 to 180.00)
3. E/W
4. Magnetic variation, degrees (0.0 to 180.00)
5. E/W

HDM - Heading magnetic

\$**HDM,x.x,M*hh<CR><LF>

1 2

1. Heading, degrees (0.00 to 360.00)
2. Magnetic (M)

HDT - Heading true

\$**HDT,xxx.x,T*hh<CR><LF>

1 2

1. Heading, degrees (0.00 to 360.00)
2. True (T)

HTC - Heading/Track control command

\$**HTC,A,x.x,a,a,a,x.x,x.x,x.x,x.x,x.x,x.x,x.x,a*hh<CR><LF>

1 2 3 4 5 6 7 8 9 10 11 12 13 14

1. Override (A = in use, V = not in use)
2. Commanded rudder angle, degrees (-180.00 to 180.00)
3. Commanded rudder direction, (L/R=Port/starboard, null)
4. Selected steering mode
(M = Manual steering S = Standalone (heading control) H = Heading control T = Track control R = Rudder control)
5. Turn mode (R=Radius controlled, T=Turn rate controlled, N=Turn is not controlled)
6. Commanded rudder limit, degrees (unsigned number) (unused)
7. Commanded off-heading limit, degrees (unsigned number) (unused)
8. Commanded radius of turn for heading changes, n.miles (unused)
9. Commanded rate of turn to heading changes, deg/min (unused)
10. Commanded heading-to-steer, degrees (unused)
11. Commanded off-track limit, n.miles (unsigned number) (unused)
12. Commanded track, degrees (unused)
13. Heading reference in use, T/M (unused)
14. Sentence status (unused)

HTD - Heading/Track Control Data

\$**HTD,A,x.x,a,a,x.x,x.x,x.x,x.x,x.x,x.x,x.x,x.x,a,A,A,A,x.x*hh<CR><LF>
 1 2 3 4 5 6 7 8 9 10 11 12 13 14 15 16 17

1. Override (A=In use, V=Not in use)
2. Commanded rudder angle, degrees (-180.00 to 180.00)
3. Commanded rudder direction (L/R=Port/starboard, null)
4. Selected steering mode
 (M = Manual steering, S = Standalone (heading control), H = Heading control, T = Track control, R = Rudder control)
5. Turn mode (R=Radius controlled, T=Turn rate controlled, N=Turn is not controlled)
6. Commanded rudder limit, degrees (unsigned number) (unused)
7. Commanded off-heading limit, degrees (unsigned number) (unused)
8. Commanded radius of turn for heading changes, n.miles (unused)
9. Commanded rate of turn to heading changes, deg/min (unused)
10. Commanded heading-to-steer, degrees (unused)
11. Commanded off-track limit, n.miles (unsigned number) (unused)
12. Commanded track, degrees (unused)
13. Heading reference in use, T/M (unused)
14. Rudder status (A=Within limits, V=Limit reached or exceeded) (unused)
15. Off-heading status (A=Within limits, V=Limit reached or exceeded) (unused)
16. Off-track status (A=Within limits, V=Limit reached or exceeded) (unused)
17. Vessel heading, degrees (unused)

MTW - Water temperature

\$**MTW,x.x,C<CR><LF>
 1

1. Water temperature, degrees C (-9.999 to 99.999)

MWV - Wind speed and angle

\$**MWV,x.x,a,x.x,a,A*hh<CR><LF>
 1 2 3 4 5

1. Wind angle, degrees (0.00 to 360.00)
2. Reference (R/T)
3. Wind speed (0.00 to 9999.99)
4. Wind speed units (K=km/h, M=m/s, N=nm, S=statute miles/h)
5. Status (A=Valid)

RMC - Recommended minimum specific GPS data

\$**RMC,hhmmss.ss,A,llll.ll,a,yyyyy.yy,a,x.x,x.x,ddmmyy,x.x,a,a,a*hh<CR><LF>
 1 2 3 4 5 6 7 8 9 10 11 12 13

1. UTC of position fix (unused)
2. Status (A=data valid)
3. Latitude (0.00000 to 9000.00000)
4. N/S
5. Longitude (0.00000 to 18000.00000)
6. E/W
7. Speed over ground, knots (0.00 to 9999.99)
8. Course over ground, degrees true (0.00 to 360.00)
9. Date (unused)
10. Magnetic variation, degrees E/W (unused)
11. E/W (unused)
12. Mode indicator
 (A= Autonomous mode, D= Differential mode, F=Float RTK, P=Precise, R=Real time kinematic)
13. Navigational status indication (S=Safe)

ROT - Rate of turn

\$**ROT,x,x,A*hh<CR><LF>
1 2

1. Rate of turn, deg/min, "-"=bow turns to port (-9999.99 to 9999.99)
2. Status (A=data valid)

RPM - Revolutions

\$**RPM, a, x, x.x, x.x, A*hh<CR><LF>
1 2 3 4 5

1. Source (S=shaft E=engine)
2. Engine or shaft number
(numbered from centerline, 0 = single or on centerline, odd = starboard, even = port) (0 to 9)
3. Speed, revolutions/min (-1000.0 to 1000.0)
4. Propeller pitch (-100.0 to 100.0)
5. Status (A=data invalid)

RSA - Rudder sensor angle

\$**RSA,x,x,A,x,x,A*hhCR><LF>
1 2 3 4

1. Starboard (or single) rudder sensor data (-180 - 180.0)
2. Starboard (or single) rudder sensor status (A=Vaild)
3. Port rudder sensor data (-180.00 to 180.00)
4. Port rudder sensor status (A=Vaild)

THS - Rudder sensor angle

\$**THS,x,x,a*hh<CR><LF>
1 2

1. Heading, degrees True (0.00 to 360.00)
2. Mode indicator (A=Autonomous)

VBW - Dual ground/water speed

\$**VBW,x,x,x,x,A,x,x,x,x,A,x,x,A,x,x,A,*hh<CR><LF>
1 2 3 4 5 6 7 8 9 10

1. Longitudinal water speed, knots (-9999.999 to 9999.999)
2. Transverse water speed, knots (-9999.999 to 9999.999)
3. Status: water speed (A=Data valid)
4. Longitudinal ground speed, knots (-9999.999 to 9999.999)
5. Transverse ground speed, knots (-9999.999 to 9999.999)
6. Status: ground speed (A=Data valid)
7. Stern transverse water speed, knots (-9999.999 to 9999.999)
8. Status: stern water speed (A=Data valid)
9. Stern transverse ground speed, knots (-9999.999 to 9999.999)
10. Status: stern ground speed (A=Data valid)

VHW - Water speed and heading

\$**VHW,x,x,T,x,x,M,x,x,N,x,x,K,*hh <CR><LF>
1 2 3 4 5 6 7 8

1. Heading, degree True (0.00 to 360.00)
2. T=True (fixed)
3. Heading, degree Magnetic (0.00 to 360.00)
4. M=Magnetic (fixed)
5. Speed, knots (0.00 to 9999.99)
6. N=Knots (fixed)
7. Speed, km/h (0.00 to 9999.99)
8. K=km/h (fixed)

VLW - Dual ground/water distance

\$**VLW,x.x,N,x.x,N,x.x,N,x.x,N,*hh<CR><LF>
 1 2 3 4 5 6 7 8

1. Total cumulative water distance (0.00 to 999999.99)
2. N=Nautical miles
3. Water distance since reset (0.00 to 999999.99)
4. N=Nautical miles
5. Total cumulative ground distance (unused)
6. N=Nautical miles (unused)
7. Ground distance since reset (unused)
8. N=Nautical miles (unused)

VTG - Course over ground and ground speed

\$**VTG,x.x,T,x.x,M,x.x,N,x.x,K,a,*hh <CR><LF>
 1 2 3 4 5 6 7 8 9

1. Course over ground, degrees True (0.00 to 360.00)
2. T=True (fixed)
3. Course over ground, degrees Magnetic (0.00 to 360.00)
4. M=Magnetic (fixed)
5. Speed over ground, knots (0.00 to 9999.99)
6. N=Knots (fixed)
7. Speed over ground, km/h (0.00 to 9999.99)
8. K=km/h (fixed)
9. Mode indicator (A=Autonomous, D=Differential, P=Precise)

VWR - Relative (Apparent) wind speed and angle

\$**VWR,x.x,a,x.x,N,x.x,M,x.x,K<CR><LF>
 1 2 3 4 5 6 7 8

1. Measured wind angle relative to the vessel, degrees (0.00 to 180.00)
2. L=Left semicircle, R=Right semicircle
3. Velocity, knots (0.00 to 9999.99)
4. Unit (N, fixed)
5. Velocity, m/s (0.00 to 9999.99)
6. Unit (M, fixed)
7. Velocity, km/h (0.00 to 9999.99)
8. Unit (K, fixed)

VWT - True wind speed and angle

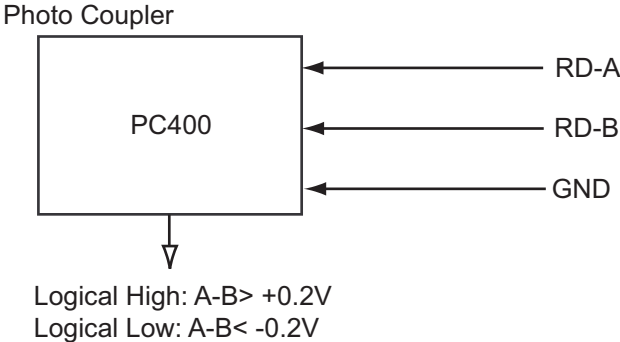
\$**VWT,x.x,a,x.x,N,x.x,M,x.x,K<CR><LF>
 1 2 3 4 5 6 7 8

1. Measured wind angle relative to the vessel, degrees (0.00 to 180.00)
2. L=Left semicircle, R=Right semicircle
3. Velocity, knots (0.00 to 9999.99)
4. Unit (N, fixed)
5. Velocity m/s (0.00 to 9999.99)
6. Unit (M, fixed)
7. Velocity, km/h (0.00 to 9999.99)
8. Unit (K, fixed)

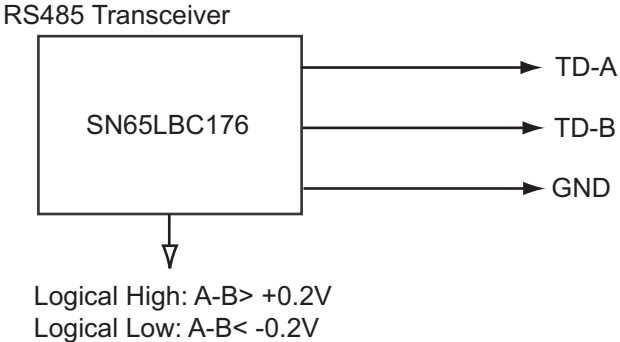
Serial Interface

Baud rate is selectable from 4800 bps and 38400 bps. Complies with IEC 61162-2.

Input port (RD-A, RD-B)



Output port (TD-A, TD-B)



**SPECIFICATIONS OF REMOTE DISPLAY
RD-20**

1 REMOTE DISPLAY

- 1.1 Display type Segment LED and dot matrix (red)
- 1.2 Brilliance 10 steps (includes 'OFF')
- 1.3 Data indication Ship's speed, Course, Heading, Distance, Depth, Rate of turn, Wind direction/speed, Rudder angle, Engine/ shaft RPM, Propeller pitch, Water temperature
- 1.4 Remote control Remote controller (option) required
- 1.5 Remote dimmer Dimmer controller (option) required
- 1.6 Interface
 - Remote control Serial, 1 port, 38,400 bps, 5 VDC output (for remote/dimmer controller)
 - Sensor Input: 1 port, NMEA0183 Ver1.5/2.0/3.0/4.0/4.1
 - Daisy chain (for RD-20) Output: 1 port, 38,400 bps
- 1.7 Data sentences DBK, DBS, DBT, DPT, HDG, HDT, HDM, HTC, HTD, MTW, MWV, RPM, RMC, ROT, RSA, THS, VBW, VHW, VLW, VTG, VWT, VWR

2 REMOTE CONTROLLER (OPTION)

- 2.1 Control button DISP, UNIT, MODE
- 2.2 Interface Serial, Input: 1 port, Output: 1 port, 38,400 bps
5 VDC input (supplied from remote display)
5 VDC output (for dimmer controller)

3 DIMMER CONTROLLER (OPTION)

- 3.1 Control button DAY/NT, BRILL (▲/▼)
- 3.2 Interface Serial, Output: 1 port, 38,400 bps
5 VDC input (supplied from remote display)

4 POWER SUPPLY

- 4.1 Remote display 12-24 VDC: 0.6-0.3 A (includes controller source)

5 ENVIRONMENTAL CONDITION

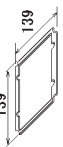




- 5.1 Ambient temperature
 - Remote display -25°C to +55°C
 - Remote/Dimmer controller -15°C to +55°C
- 5.2 Relative humidity 95% at 40°C
- 5.3 Degree of protection IP22
- 5.4 Vibration IEC 60945

6 UNIT COLOR

N2.5

FURUNO

CODE NO.	001-076-460-00	26AB-X-9401-3
TYPE	CP26-01001	1/1

REMOTE DISPLAY RD-20		数量 Q'TY	用途/備考 REMARKS
番号 NO.	名称 NAME	型名/規格 DESCRIPTIONS	
1	フラッシュマウンティング FLUSH MOUNTING SPONGE	 Z6-004-1201-0 CODE NO. 100-350-750-10	1
2	タップネジ TAPPING SCREW	 3X16 SUS304 CODE NO. 100-171-906-10	4
3	ケーブルタイ CABLE TIE	 CV-150B CODE NO. 100-167-183-10	9
4	圧着端子 CRIMP-ON LUG	 FV2-4 BLU K CODE NO. 100-157-247-11	3
5	圧着端子 CRIMP-ON LUG	 FV5-5-4 (LF) YEL K CODE NO. 100-166-744-11	1

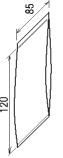
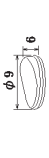
(略図の寸法は、参考値です。 DIMENSIONS IN DRAWING FOR REFERENCE ONLY.)

FURUNO ELECTRIC CO., LTD.

C4454-M01-D KR

FURUNO

CODE NO.	001-076-470-00	26AB-X-9501-2
TYPE	FP26-00301	1/1

REMOTE DISPLAY RD-20		数量 Q'TY	用途/備考 REMARKS
番号 NO.	名称 NAME	型名/規格 DESCRIPTIONS	
1	液晶クリーニングクロス LCD CLEANING CLOTH	 02-156-1082-2 CODE NO. 100-332-652-10	1
2	キャップ CAP	 Z6-004-1255-1 CODE NO. 100-353-651-10	4

型式/コード番号が2版の場合、下版より上版に代わる関連部品であり、どちらかが入っています。なお、品質は変わりません。
TWO TYPES AND CODES MAY BE LISTED FOR AN ITEM. THE LOWER PRODUCT MAY BE SHIPPED IN PLACE OF THE UPPER PRODUCT.
QUALITY IS THE SAME. DIMENSIONS IN DRAWING FOR REFERENCE ONLY.)
(略図の寸法は、参考値です。)

FURUNO ELECTRIC CO., LTD.

C4454-F01-C

FURUNO

DIMMER CONTROLLER

RD-502

CODE NO.		26AC-X-9402-3		1/1	
TYPE		CP26-01201			
番号 NO.	名称 NAME	略図 OUTLINE	型名/規格 DESCRIPTIONS	数量 QTY	用途/備考 REMARKS
1	ケーブルタイ CABLE TIE		CV-150B CODE NO. 000-167-183-10	2	
2	圧着端子 CRIMP-ON LUG		FV2-4 BLU K CODE NO. 000-157-247-11	1	
3	圧着端子 CRIMP-ON LUG		FV5-5-4 (LF) YEL K CODE NO. 000-166-744-11	1	
4	六角ナット HEXAGONAL NUT		M3 SUS304 CODE NO. 000-167-277-10	4	
5	フラットワッシャー FLAT WASHER		M3 SUS304 CODE NO. 000-167-263-10	4	
6	スプリングワッシャー SPRING WASHER		M3 SUS304 CODE NO. 000-167-204-10	4	
7	バインドヘッド BINDING HEAD SCREW		M3X12 SUS304 CODE NO. 000-171-998-10	4	

(略図の寸法は、参考値です。 DIMENSIONS IN DRAWING FOR REFERENCE ONLY.)

FURUNO

REMOTE DISPLAY

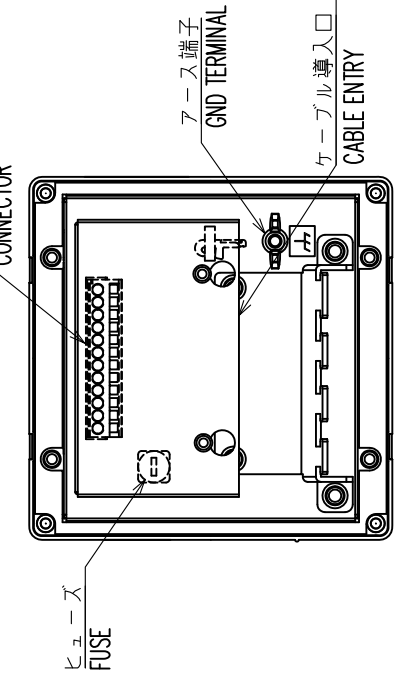
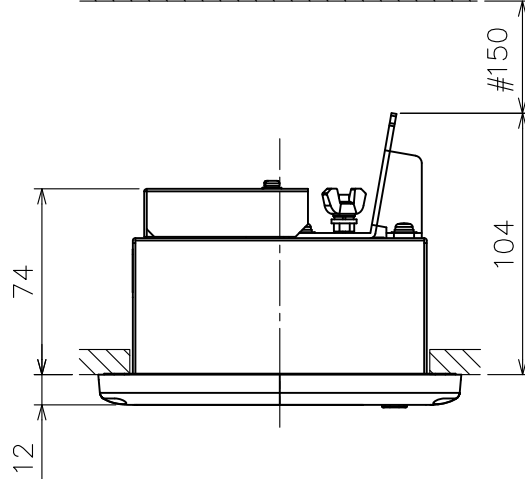
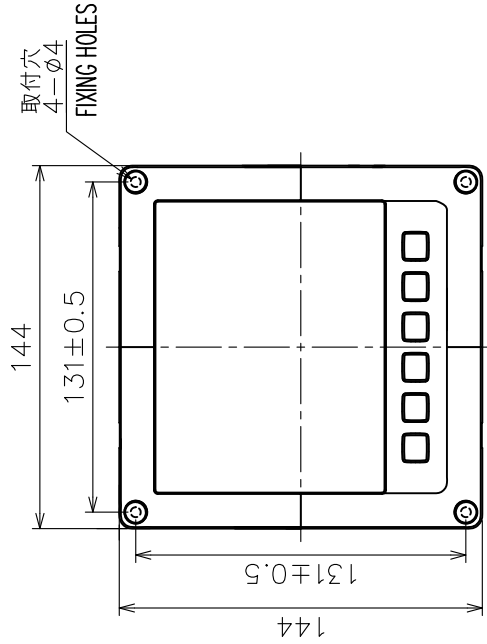
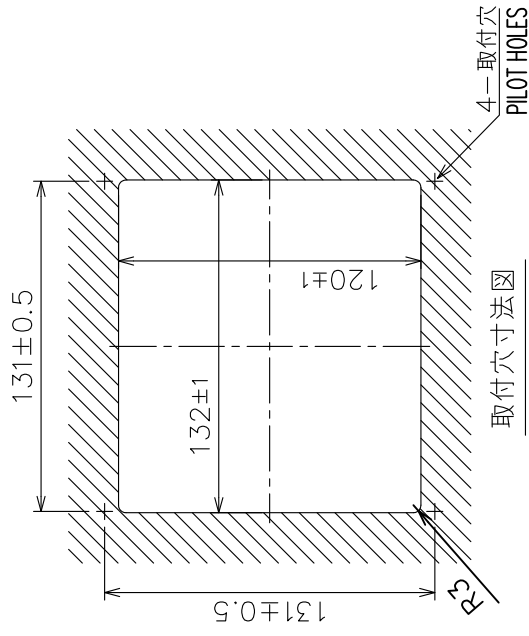
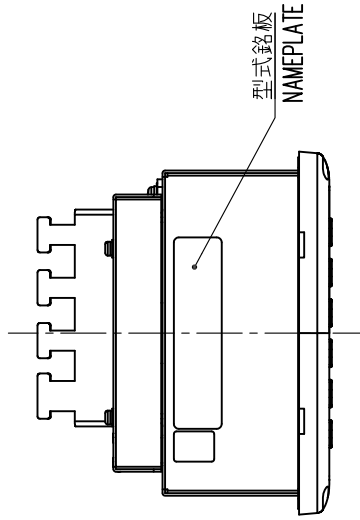
RD-20

CODE NO.		26AB-X-9402-0		1/1	
TYPE		OP26-1			
番号 NO.	名称 NAME	略図 OUTLINE	型名/規格 DESCRIPTIONS	数量 QTY	用途/備考 REMARKS
1	セルフタッピングネジ SELF-TAPPING SCREW		4X16 SUS304 CODE NO. 000-162-605-10	4	
2	バインドヘッド BINDING HEAD SCREW		M3X12 SUS304 CODE NO. 000-171-998-10	4	
3	ハンガー組品 HANGER ASSY.		OP26-1-1 CODE NO. 001-076-490-00	1	

型式/コード番号が異なる図の場合、下記より上図に代わる適量部品であり、どちらかが入っています。なお、品質は変わりません。
TWO TYPES AND CODES MAY BE LISTED FOR AN ITEM. THE LOWER PRODUCT MAY BE SHIPPED IN PLACE OF THE UPPER PRODUCT. QUALITY IS THE SAME.
(略図の寸法は、参考値です。 DIMENSIONS IN DRAWING FOR REFERENCE ONLY.)

表1 TABLE 1

寸法区分 (mm) DIMENSION	公差 (mm) TOLERANCE
$L \leq 50$	± 1.5
$50 < L \leq 100$	± 2.5
$100 < L \leq 500$	± 3



- 注記
- 1) 指定外の寸法公差は表1による。
 - 2) #印寸法は最小サービス空間寸法とする。
 - 3) 取付用ネジはバインドットピンネジ呼び径3×1.6を使用のこと。
- NOTE
1. TABLE 1 INDICATES TOLERANCE OF DIMENSIONS WHICH IS NOT SPECIFIED.
 2. # MINIMUM SERVICE CLEARANCE.
 3. USE BINDING TAPPING SCREWS $\phi 3 \times 1.6$ FOR FIXING THE UNIT.

DRAWN	21/May/09 I.YAMASAKI	TITLE	RD-20
CHECKED	22/May/09 I.TAKENO	名称	リモートディスプレイ (埋込装備)
APPROVED	9/Jun/09 R.Esumi	外寸図	
SCALE	1/100	NAME	REMOTE DISPLAY (FLUSH MOUNT)
DWG.No.	C4454-G02-A	REF.No.	26-004-100G-2

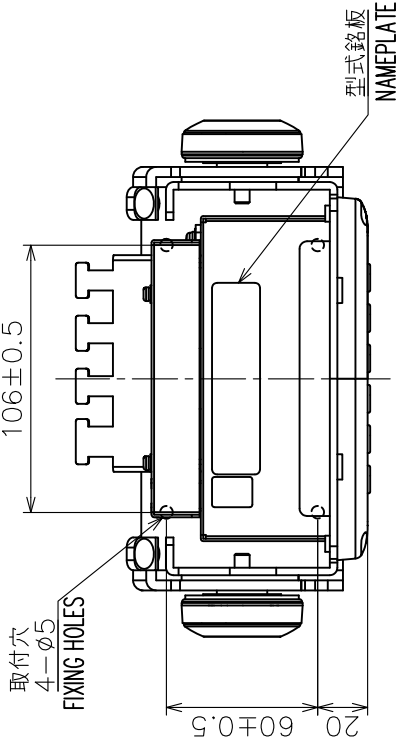
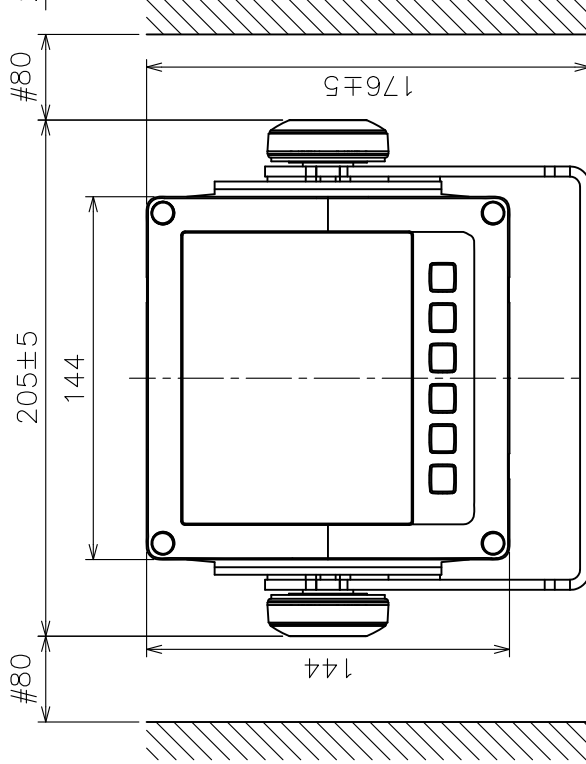
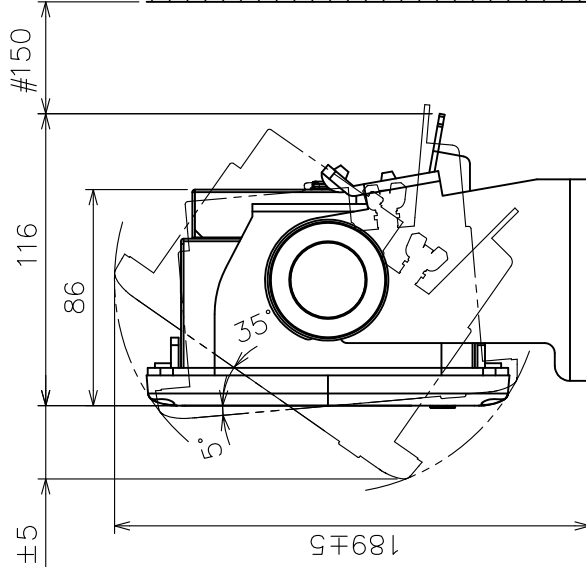


表1 TABLE 1

寸法区分 (mm) DIMENSION	公差 (mm) TOLERANCE
L ≤ 50	±1.5
50 < L ≤ 100	±2.5
100 < L ≤ 500	±3

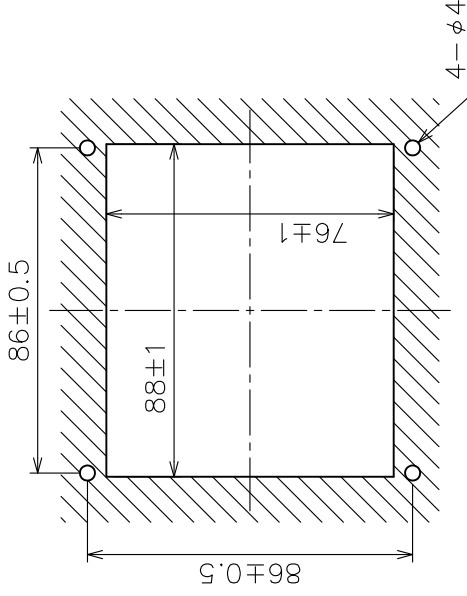
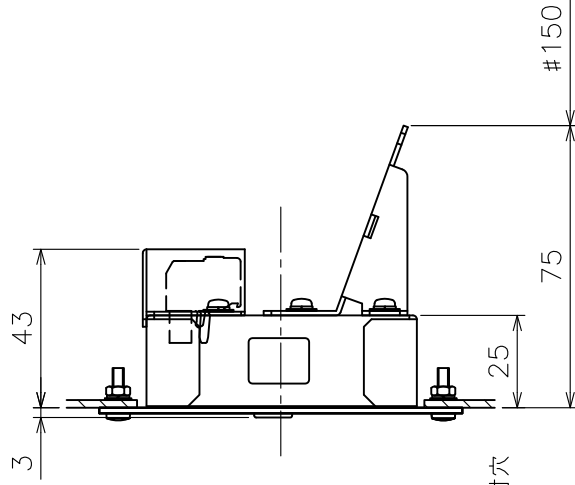
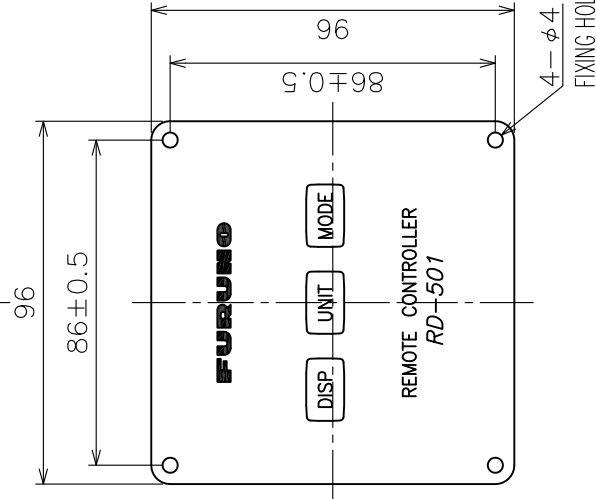
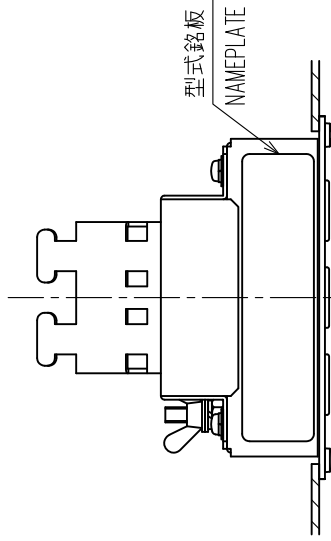


- 注記 1) 指定外の寸法公差は表1による。
 2) #印寸法は最小サービスマン間寸法とする。
 3) 取付ネジはトラスタップピンネジ呼び径4×1.6を使用のこと。
- NOTE 1. TABLE 1 INDICATES TOLERANCE OF DIMENSIONS WHICH IS NOT SPECIFIED.
 2. # MINIMUM SERVICE CLEARANCE.
 3. USE TRUSS TAPPING SCREWS $\phi 4 \times 1.6$ FOR FIXING THE UNIT.

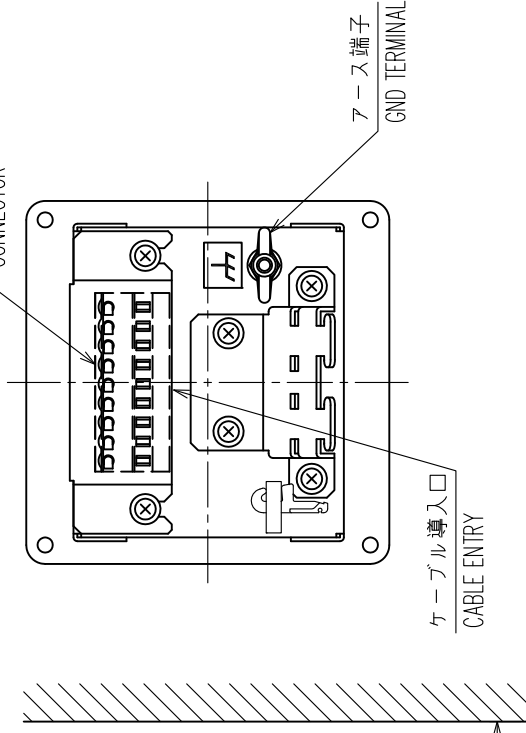
DRAWN	TITLE	RD-20
21/May/09 T.YAMASAKI	名*	リモートディスプレイ (卓上装備)
CHECKED 22/May/09 I.TAKENO	外寸図	
APPROVED 9/Jun/09 R.ESUMI	NAME	REMOTE DISPLAY (TABLETOP MOUNT)
SCALE 1/3	REF.No.	26-004-110G-2
DWG.No. C4454-G01-A		

表1 TABLE 1

寸法区分 (mm) DIMENSION	公差 (mm) TOLERANCE
L ≤ 50	±1.5
50 < L ≤ 100	±2.5
100 < L ≤ 500	±3



取付穴寸法図
CUTOOUT DIMENSIONS
コネクタ
CONNECTOR

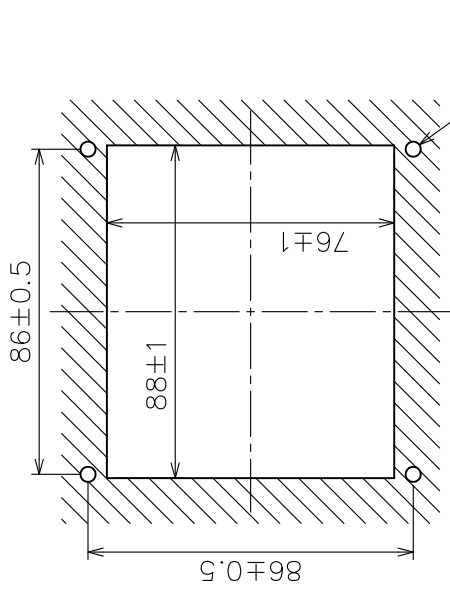
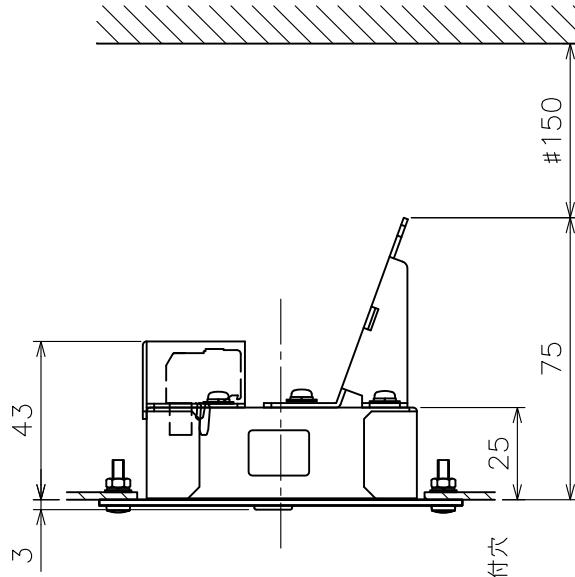
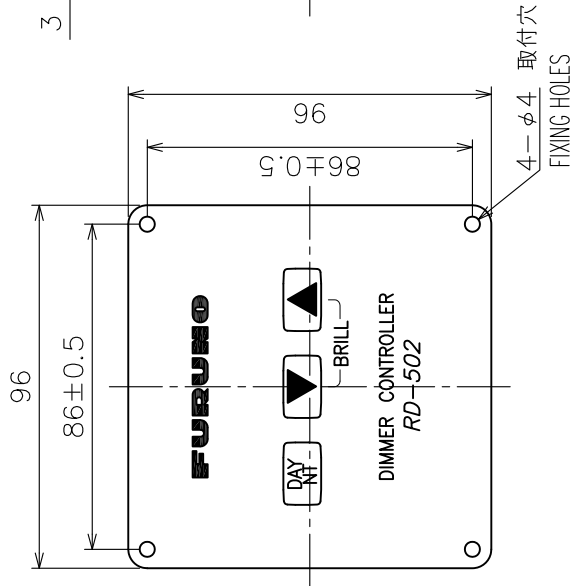
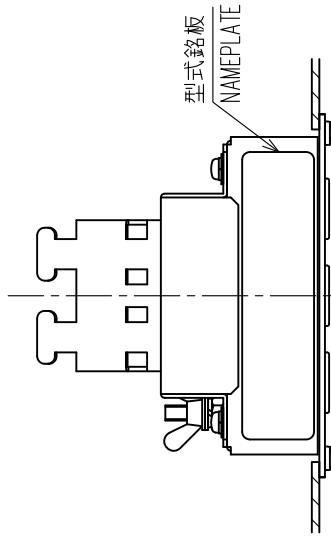


- 注記 1) 指定外の寸法公差は表1による。
 2) #印寸法は最小サービス空間寸法とする。
 3) 取付にはM3×12バインド小ネジ、M3平座金/バネ座金/ナットを使用のこと。
- NOTE 1. TABLE 1 INDICATES TOLERANCE OF DIMENSIONS WHICH IS NOT SPECIFIED.
 2. # MINIMUM SERVICE CLEARANCE.
 3. USE BINDING SCREWS M3x12 AND M3 P.W./S.W./ NUTS FOR FIXING THE UNIT.

DRAWN	25/May/09 I.YAMASAKI	TITLE	RD-501
CHECKED	26/May/09 I.TAKENO	名称	リモート操作部 (埋込装備)
APPROVED	9/Jun/09 R. Esumi	外寸図	
SCALE	1/100	NAME	REMOTE CONTROLLER (FLUSH MOUNT)
DMC No.	C4453-603-B	REF.No.	26-003-200G-3
			OUTLINE DRAWING

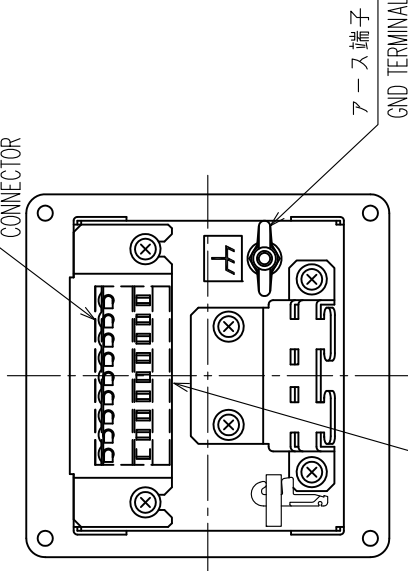
表1 TABLE 1

寸法区分 (mm) DIMENSION	公差 (mm) TOLERANCE
L ≤ 50	±1.5
50 < L ≤ 100	±2.5
100 < L ≤ 500	±3



取付穴寸法図
CUTOFF DIMENSIONS

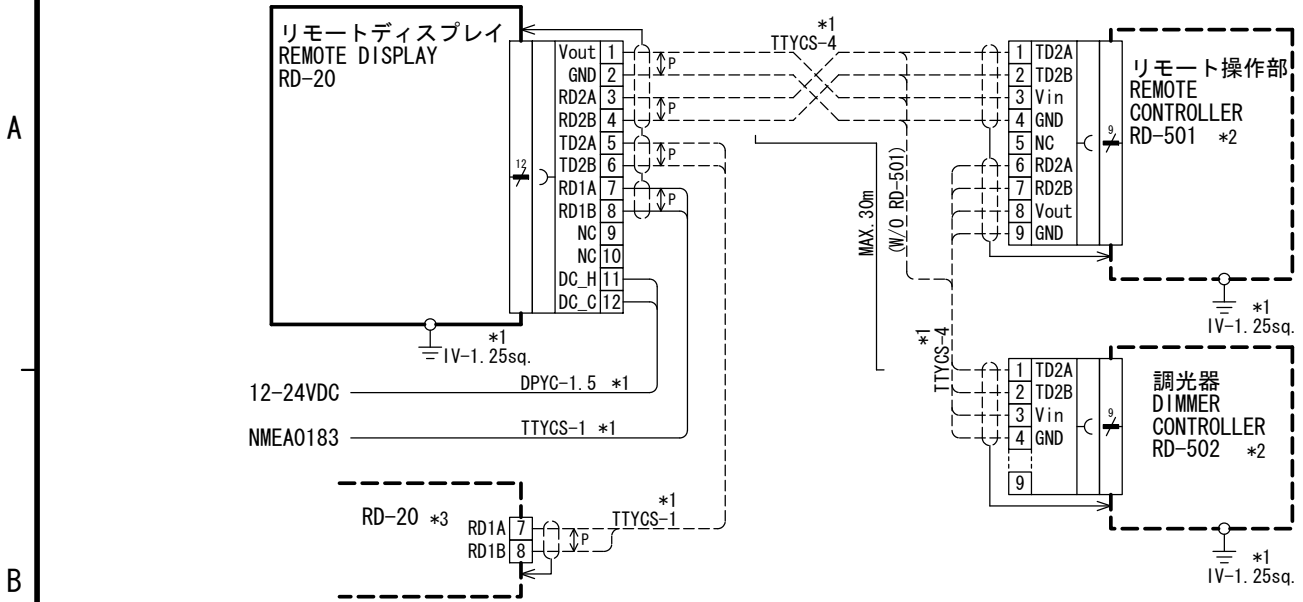
コネクタ
CONNECTOR



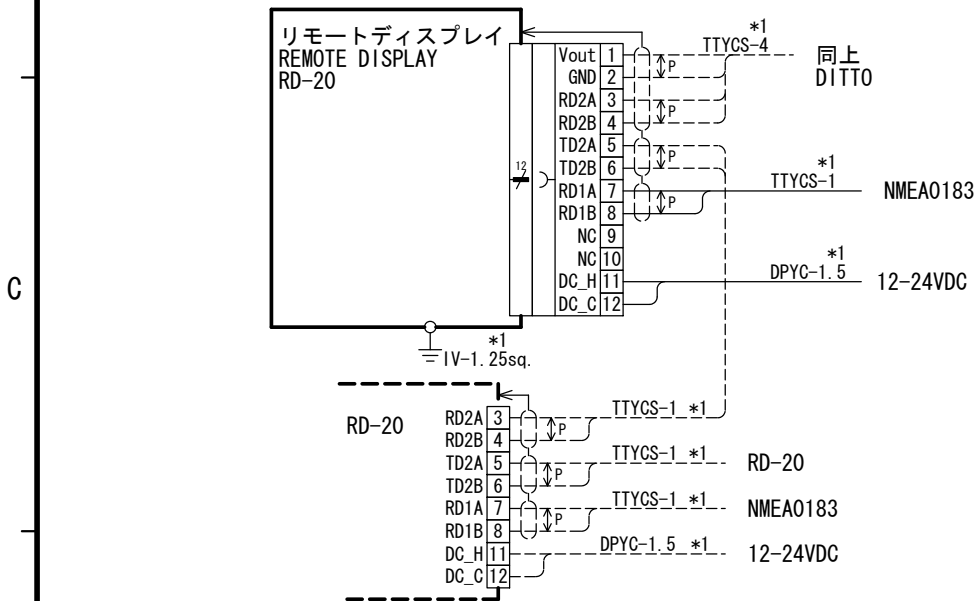
- 注記 1) 指定外の寸法公差は表1による。
 2) #印寸法は最小サービスインスペーシングとする。
 3) 取付はM3×1.2バインド小ネジ、M3平座金/バネ座金/ナットを使用のこと。
- NOTE 1. TABLE 1 INDICATES TOLERANCE OF DIMENSIONS WHICH IS NOT SPECIFIED.
 2. # MINIMUM SERVICE CLEARANCE.
 3. USE BINDING SCREWS M3x1.2 AND M3 P.W./S.W./ NUTS FOR FIXING THE UNIT.

DRAWN	26/May/09 I.YAMASAKI	TITLE	RD-502
CHECKED	26/May/09 I.TAKENO	名称	調光器 (埋込装備)
APPROVED	9/Jun/09 R. Esumi	外寸図	
SCALE	1/100	NAME	DIMMER CONTROLLER (FLUSH MOUNT)
DMC No.	C4453-G04-C	REF.No.	26-003-250G-4
			OUTLINE DRAWING

1) NMEAデータを共有する場合 TO USE NMEA DATA JOINTLY



2) 調光制御のみを共有する場合 TO USE DIMMER CONTROL ONLY JOINTLY



注記

- * 1) 造船所手配。
- * 2) オプション。
- * 3) メニューより設定変更が必要。

NOTE

- *1: SHIPYARD SUPPLY.
- *2: OPTION.
- *3: CHANGE SETTING FROM MENU.

DRAWN	31/Jul/09 T. YAMASAKI	TITLE	RD-20
CHECKED	31/Jul/09 T. TAKENO	名称	リモートディスプレイ
APPROVED	4/Sep/09 R. Esumi		相互結線図
SCALE	MASS kg	NAME	REMOTE DISPLAY
DWG. No.	C4454-C01- B	REF. No.	26-004-0001-1
		INTERCONNECTION DIAGRAM	



Declaration of Conformity



We **FURUNO ELECTRIC CO., LTD.**

(Manufacturer)

9-52 Ashihara-Cho, Nishinomiya City, 662-8580, Hyogo, Japan

(Address)

declare under our sole responsibility that the product

REMOTE DISPLAY RD-20

(Model name, type number)

to which this declaration relates conforms to the following standard(s) or other normative document(s)

EU
EMC Directive 2014/30/EU

UK
SI 2016 No.1091 EMC Regulations 2016 as amended

IEC 60945 Ed.4.0: 2002

EN 60945: 2002

For assessment, see

- Test report
Furuno Labotech International Co., Ltd.
FLI 12-09-053, 25 Aug 2009

For assessment, see

- Test report
Furuno Labotech International Co., Ltd.
FLI 12-09-053, 25 Aug 2009

(title and/or number and date of issue of the standard(s) or other normative document(s))

On behalf of Furuno Electric Co., Ltd.

Nishinomiya City, Japan
26 July 2021

(Place and date of issue)

Akihiko Kanechika
Department General Manager
Quality Assurance Department

(name and signature or equivalent marking of authorized person)

ECF

(Elemental Chlorine Free)

The paper used in this manual
is elemental chlorine free.

FURUNO ELECTRIC CO., LTD.

9-52 Ashihara-cho,
Nishinomiya, 662-8580, JAPAN

• FURUNO Authorized Distributor/Dealer

All rights reserved. Printed in Japan

Pub. No. OME-44540-D3

(YOTA) RD-20

A : OCT. 2009

D3 : AUG. 31, 2021



0 0 0 1 7 2 0 1 2 1 3